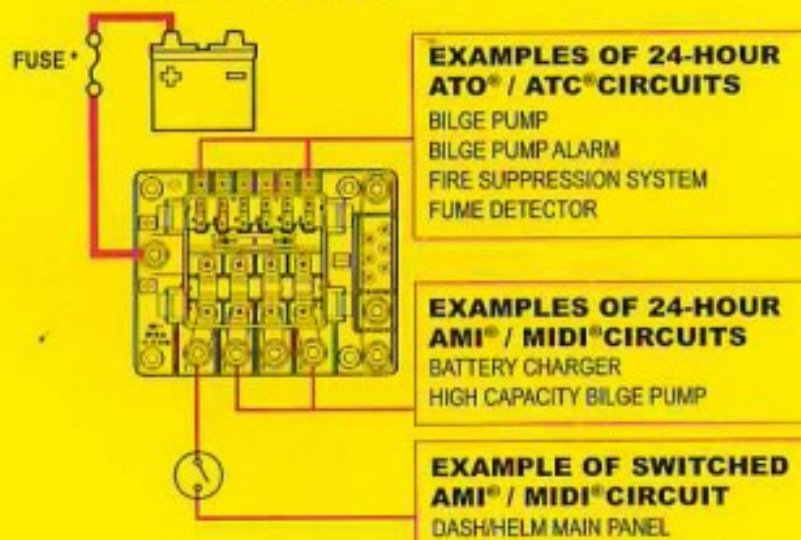
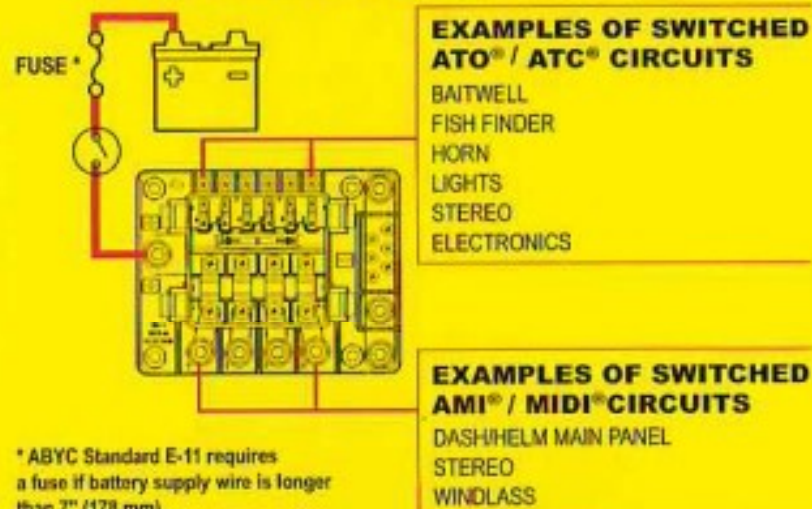


**FUSE BLOCK CONNECTED
BEFORE THE BATTERY SWITCH**

**FUSE BLOCK CONNECTED
AFTER THE BATTERY SWITCH**


* ABYC Standard E-11 requires a fuse if battery supply wire is longer than 7" (178 mm)

Fuse Block

Amperage Maximum Operating (combined)	(see table below)
Nominal Operating Voltage	12V DC, 24V DC, 32V DC
Minimum Input Cable Size to Meet Rating	4/0 AWG (120 mm ²)
Recommended Ring Terminal	M8 (5/16")
Stud Size	M8 x 1.25
Stud Torque	15 ft-lb (20.3 N-m)
Weight	1.90 lb (0.86 kg)

AMI® / MIDI® Fuse Block

Amperage Maximum Operating (per block)	280A†
Amperage Maximum Operating (per circuit)	170A†
Minimum Cable Size to Meet Rating	2/0 AWG (70 mm ²)
Screw Size	M5 x .8 x 10
Screw Torque	27 in-lb (3.0 N-m)
Fuse Amperages Available	30A–200A

ATO® / ATC® Fuse Block

Amperage Maximum Operating (per block)	50A†
Amperage Maximum Operating (per circuit)	25A†
Screw Size	#8-32 x 6.5 mm
Screw Torque	18 in-lb (2.0 N-m)
Fuse Amperages Available	1A–30A

Regulatory

CE marked
Meets ISO 8846 and SAE J1171 external ignition protection requirements
IP66 - Protected against powerful water jets

Input Wire Size and Current Derating Table

AWG Wire Size	Metric Wire Size	Amperage Max. Operating (combined)
4/0 AWG	120 mm ²	280A
2/0 AWG	70 mm ²	240A
1 AWG	50 mm ²	180A
4 AWG	25 mm ²	125A

† Ratings are dependent on input cable sized for appropriate amperages