

## SVB intern ZENITH AGM-Batterien

**deep cycle heavy duty** empfohlen für häufige Entladungen bis 80% Entladetiefe /  
 siehe Seite 1 / see page 1 recommended for frequent discharges to 80% DOD


**Standard-Type** geeignet für alle Anwendungen mit empfohlener Entladetiefe bis  
 siehe Seite 2 / see page 2 50% /  
 suitable for all applications with recommended discharge to 50%  
 DOD

- wartungsfrei / maintenance free
- kipp- und auslaufsicher / tilt- and leak-proof
- unempfindlich gegen Vibrationen / resistant to vibrations

- empfohlener Ladestrom 10 - 30 % der Kapazität / of capacity  
 zyklisch / cycle 14,5V ~ 14,9 V @ 25°C / 77°F **deep cycle heavy duty**  
 14,6V ~ 14,8 V @ 25°C / 77°F **Standard-type**
- Erhaltungsladung / float 13,6 V ~ 13,8 V @ 25°C / 77°F

- nicht die Batterieanschlüsse kurzschließen / don't short circuited battery terminals
- nicht unter luftdichten Bedingungen laden / don't charge under airtight conditions
- nicht zerlegen, nicht fallen lassen / don't disassemble, don't drop
- nicht Flammen oder Funken aussetzen / don't expose to flames or sparks
- von Kindern fernhalten / keep out of the reach of children

SVB Artikel- / item number	ZENITH-Type	Kapazität / capacity (K20 @ 25°C / 77°F)	CCA (EN) / (30-sec. Amp. to 7,2 V (= 1,2V/cell) @ -18°C / 0°F)	Reservekapazität / reserve capacity 25 A, minutes to 10,5 V (1,75 V/cell) @ 27°C / 80°F	Anschlüsse / terminals	Maximaler Entladestrom / max discharge current 5 sec. @ 25°C / 77°F	Gewicht / weight	Datenblatt auf Seite / datasheet on page
	<b>deep cycle heavy duty</b>							
15087	ZL 120135	35 Ah	190 - 230 A (190 A)	52 minutes	M6 Innengewinde / inner thread & SAE-Konus "automotive post"	450 A	ca. 11,5 kg / ~ 25,35 lbs	3
15088	ZL 120155	55 Ah	430 - 510 A (400 A)	96 minutes	M6 Innengewinde / inner thread & SAE-Konus "automotive post"	825 A	ca. 17,6 kg / ~ 38,5 lbs	4
15089	ZL 120175	85 Ah	510 - 600 A (510 A)	148 minutes	M6 Innengewinde / inner thread & SAE-Konus "automotive post"	1000 A	ca. 25,1 kg / ~ 55,3 lbs	5
15090	ZL 120185	105 Ah	550 - 660 A (550 A)	175 minutes	M6 Innengewinde / inner thread & SAE-Konus "automotive post"	1050 A	ca. 30,2 kg / ~ 66,6 lbs	6
15091	ZL 121100	120 Ah	750 - 900 A (820 A)	279 minutes	M8 Innengewinde / inner thread & SAE-Konus "automotive post"	1400 A	ca. 44,3 kg / ~ 97,5 lbs	7
15092	ZL1201115	150 Ah	900 - 1050 A (900 A)	285 minutes	M8 Innengewinde / inner thread & SAE-Konus "automotive post"	1500 A	ca. 45,5 kg / ~ 100,1 lbs	8
15093	ZL 1201130	215 Ah	950 - 1150 A (no data)	420 minutes	M8 Bolzen / bolt - outer thread & SAE-Konus "automotive post"	2000 A	ca. 60 kg / ~ 132,3 lbs	9
15094	ZL 1201145	260 Ah	1200 - 1400 A (no data)	578 minutes	M8 Innengewinde / inner thread & SAE-Konus "automotive post"	2600 A	ca. 78,2 kg / ~ 172,4 lbs	10


SVB intern	ZENITH AGM-Batterien		Gelsenkirchener Str. 25-27 D - 28199 Bremen  Verkauf: (0421) 57290 - 0 Telefax: (0421) 57290 - 40  e-mail: info@svb.de Internet: www.svb.de	
				04-13/WPO
				Seite 1 von 18

Spezialversand für Yacht- und Bootszubehör

## SVB intern ZENITH AGM-Batterien

SVB Artikel- / item number	ZENITH-Type	Kapazität / capacity (K20 @ 25°C / 77°F)	CCA (EN) / (30-sec. Amp. to 7,2 V (= 1,2V/cell) @ -18°C / 0°F)	Reservekapazität / reserve capacity 25 A, minutes to 10,5 V (1,75 V/cell) @ 27°C / 80F	Anschlüsse / terminals	Maximaler Entladestrom / max discharge current 5 sec. @ 25°C / 77°F	Gewicht / weight	Datenblatt auf Seite / datasheet on page
	<b>Standard</b>							
14985	ZGL 120048	35 Ah	190 - 230 A	52 minutes	M6 Innengewinde / inner thread & SAE-Konus "automotive post"	330 A	ca. 10,2 kg / ~ 22,4 lbs	11
14986	ZGL 120058	55 Ah	430 - 510 A	96 minutes	M6 Innengewinde / inner thread & SAE-Konus "automotive post"	550 A	ca. 18 kg / ~ 39,6 lbs	12
14987	ZGL 120070	80 Ah	510 - 600 A	148 minutes	M6 Innengewinde / inner thread & SAE-Konus "automotive post"	750 A	ca. 23,5 kg / ~ 52,8 lbs	13
14988	ZGL 120078	100 Ah	550 - 660 A	175 minutes	M8 Innengewinde / inner thread & SAE-Konus "automotive post"	1000 A	ca. 30 kg / ~ 66 lbs	14
14989	ZGL 120085	120 Ah	750 - 900 A	279 minutes	M6 Innengewinde / inner thread & SAE-Konus "automotive post"	1200 A	ca. 32 kg / ~ 70,4 lbs	15
14990	ZGL 120088	160 Ah	900 - 1050 A	285 minutes	M8 Innengewinde / inner thread & SAE-Konus "automotive post"	1500 A	ca. 44,5 kg / ~ 97,9 lbs	16
14991	ZGL 120094	210 Ah	950 - 1150 A	420 minutes	M8 Innengewinde / inner thread & SAE-Konus "automotive post"	2000 A	ca. 60 kg / ~ 132 lbs	17
14992	ZGL 120098	260 Ah	1200 - 1400 A	578 minutes	M8 Innengewinde / inner thread & SAE-Konus "automotive post"	2600 A	ca. 74 kg / ~ 12,8 lbs	18

(technische Änderungen vorbehalten)

SVB intern	ZENITH AGM-Batterien		Gelsenkirchener Str. 25-27 D - 28199 Bremen  Verkauf: (0421) 57290 - 0 Telefax: (0421) 57290 - 40  e-mail: info@svb.de Internet: www.svb.de	
				04-13/WPO
				Spezialversand für Yacht- und Bootszubehör
Seite 2 von 18				

Zenith



# ZL120135

## Constant Current Discharge Rating Amperes @ 25°C (77°F)

Cut off voltage V/cell	30M	45M	1H	2H	3H	5H	8H	10H	12H	20H	24H
1.75V	35	26.3	20.6	10.7	7.9	5.6	3.9	3.2	2.7	1.8	1.5

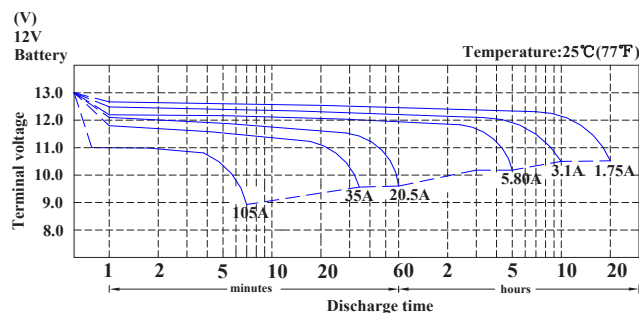
## Characteristics

Capacity 25°C (77°F)	20 hour rate (1.75A to 10.5Volts) 10 hour rate (3.1A to 10.5Volts) 5 hour rate (5.8A to 10.2Volts)	35AH 31AH 29AH
Internal Resistance	Full charged Battery 25°C (77°F)	9mΩ
Capacity affected by Temperature (20 hour rate)	40°C (104°F) 25°C (77°F) 0°C (32°F) -15°C (5°F)	102% 100% 85% 65%
Self-Discharge 25°C (77°F)	Capacity after 3 month storage Capacity after 6 month storage Capacity after 12 month storage	91% 82% 64%
Standard Terminal	M6	
Max. Discharge Current 25°C (77°F)	450A (5s)	
Cranking Performance	Cranking Amps (30-sec amps to 7.2V @ 0°C (32°F)) Cold Cranking Amps (30-sec amps to 7.2V @ -18°C (0°F))	230A 190A
Reserve Capacity (Minutes to 10.5V at 27°C (80°F))	@ 25Amps @ 75Amps	52Min
Charging (Constant Voltage)	Cycle Initial Charging Current 7A Or Small 14.5V~14.9V/ 25°C (77°F) Float 13.6V~13.8V/ 25°C (77°F)	

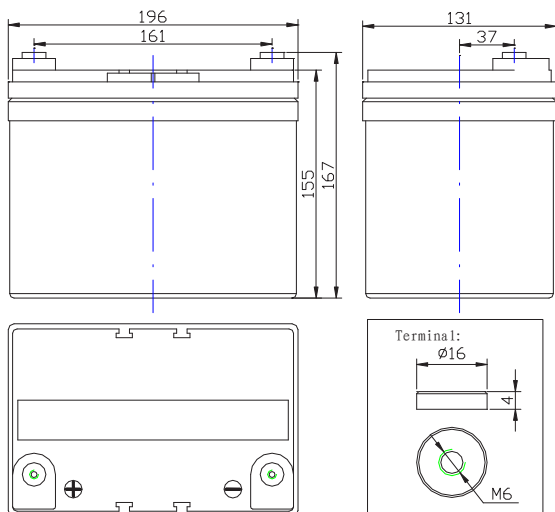
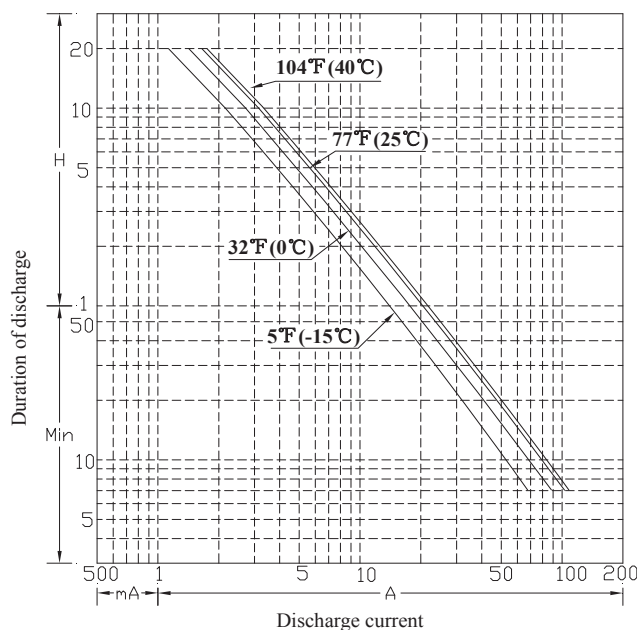
## Specifications

Nominal Voltage	12V	
Rated Capacity (20 hour rate)	35Ah	
Dimension	Total Height (with terminals)	167mm (6.57 inches)
	Height	155mm (6.10 inches)
	Length	196mm (7.72 inches)
	Width	131mm (5.16 inches)
Weight	Approx. 11.5kg (25.35 lbs)	

## Discharge characteristics 25°C (77°F)



## Duration of discharge vs. Discharge current



This information is generally descriptive only and is not intended to make or imply any representation, guarantee or warranty with respect to any cells and batteries. Cell and battery designs/specification are subject to modification without notice. Contact U.B.S. UNION BATTERY SERVICE for the latest information.

DIVISION OF



[www.zenithdcbattery.com](http://www.zenithdcbattery.com)

Zenith



# ZL120155

## Constant Current Discharge Rating Amperes @ 25°C (77°F)

Cut off voltage V/cell	30M	45M	1H	2H	3H	5H	8H	10H	12H	20H	24H
1.75V	55	41	31.3	16.6	12.5	8.7	6	4.95	4.22	2.75	2.3

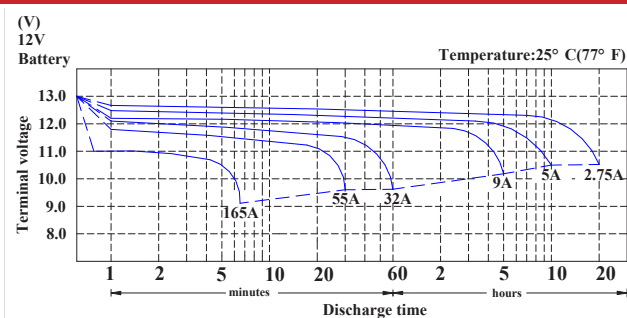
## Characteristics

Capacity 25°C (77°F)	20 hour rate (2.75A to 10.5Volts) 10 hour rate (5A to 10.5Volts) 5 hour rate (9A to 10.2Volts)	55AH 50AH 45AH
Internal Resistance	Full charged Battery 25°C (77°F)	8mΩ
Capacity affected by Temperature (20 hour rate)	40°C (104°F) 25°C (77°F) 0°C (32°F) -15°C (5°F)	102% 100% 85% 65%
Self-Discharge 25°C (77°F)	Capacity after 3 month storage Capacity after 6 month storage Capacity after 12 month storage	91% 82% 64%
Standard Terminal	M6	
Max. Discharge Current 25°C (77°F)	825A (5s)	
Cranking Performance	Cranking Amps (30-sec amps to 7.2V @ 0°C (32°F)) Cold Cranking Amps (30-sec amps to 7.2V @ -18°C (0°F))	480A 400A
Reserve Capacity (Minutes to 10.5V at 27°C (80°F))	@ 25Amps @ 75Amps	96Min 21Min
Charging (Constant Voltage)	Cycle Initial Charging Current 11A Or Small 14.5V~14.9V/ 25°C (77°F) Float 13.6V~13.8V/ 25°C (77°F)	

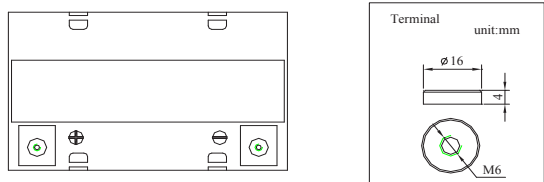
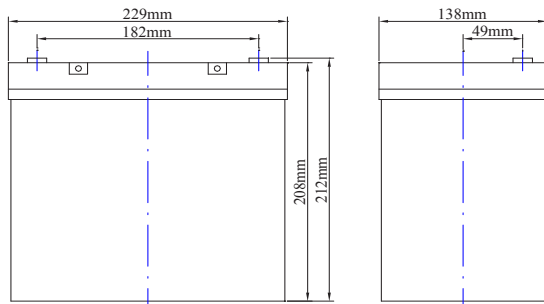
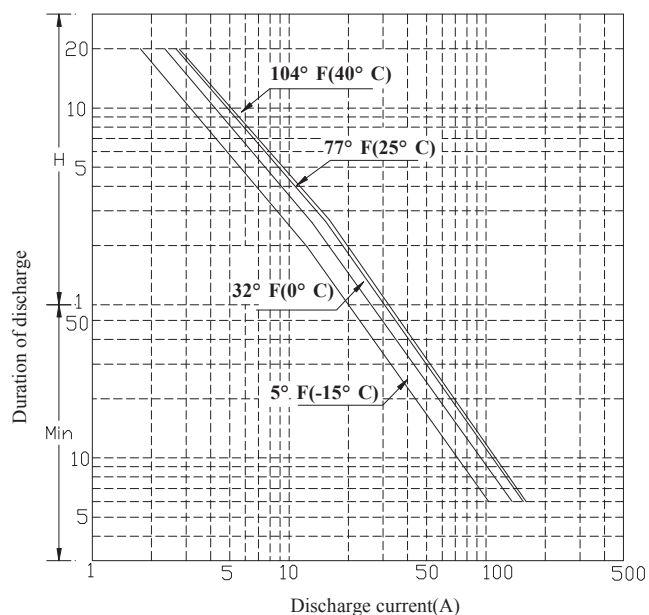
## Specifications

Nominal Voltage		12V
Rated Capacity (20 hour rate)		55Ah
Dimension	Total Height (with terminals)	212mm (8.53 inches)
	Height	208mm (8.19 inches)
	Length	229mm (9.02 inches)
	Width	138mm (5.43 inches)
Weight		Approx. 17.6 kg (38.5 lbs)

## Discharge characteristics 25°C (77°F)



## Duration of discharge vs. Discharge current



This information is generally descriptive only and is not intended to make or imply any representation, guarantee or warranty with respect to any cells and batteries. Cell and battery designs/specification are subject to modification without notice. Contact U.B.S. UNION BATTERY SERVICE for the latest information.

DIVISION OF



[www.zenithdcbattery.com](http://www.zenithdcbattery.com)





# ZL120175

### Constant Current Discharge Rating Amperes @ 25°C (77°F)

Cut off voltage V/cell	30M	45M	1H	2H	3H	5H	8H	10H	12H	20H	24H
1.75V	79	58	48.3	25.6	19.2	13.5	9.2	7.65	6.52	4.25	3.56

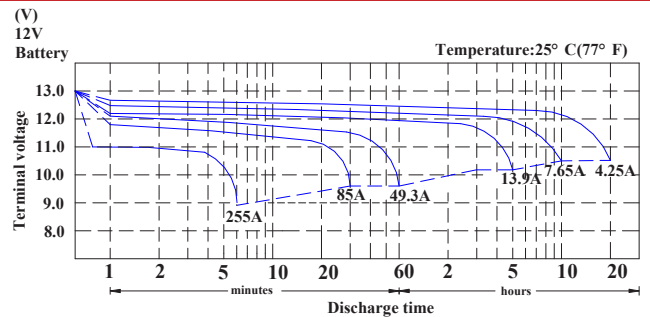
### Characteristics

Capacity 25°C (77°F)	20 hour rate (4.25A to 10.5Volts) 10 hour rate (7.65A to 10.5Volts) 5 hour rate (13.9A to 10.2Volts)	85AH 76.5AH 69.5AH
Internal Resistance	Full charged Battery 25°C (77°F)	5.3mΩ
Capacity affected by Temperature (20 hour rate)	40°C (104°F) 25°C (77°F) 0°C (32°F) -15°C (5°F)	102% 100% 85% 65%
Self-Discharge 25°C (77°F)	Capacity after 3 month storage Capacity after 6 month storage Capacity after 12 month storage	91% 82% 64%
Standard Terminal	M6	
Max. Discharge Current 25°C (77°F)	1000A (5s)	
Cranking Performance	Cranking Amps (30-sec amps to 7.2V @ 0°C (32°F)) Cold Cranking Amps (30-sec amps to 7.2V @ -18°C (0°F))	600A 510A
Reserve Capacity (Minutes to 10.5V at 27°C (80°F))	@ 25Amps @ 75Amps	148Min 34Min
Charging (Constant Voltage)	Cycle Initial Charging Current 17A Or Small 14.5V~14.9V/ 25°C (77°F) Float 13.6V~13.8V/ 25°C (77°F)	

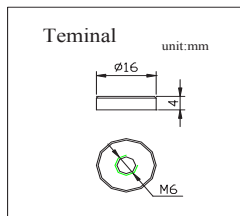
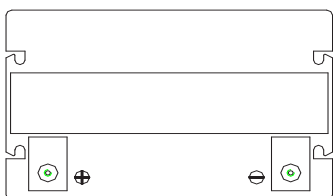
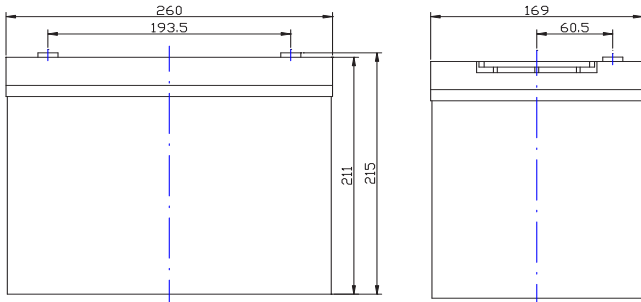
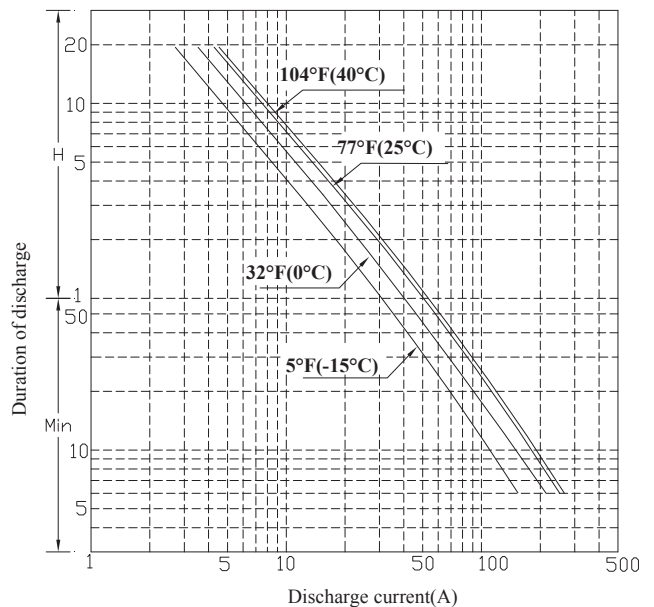
### Specifications

Nominal Voltage		12V
Rated Capacity (20 hour rate)		85Ah
Dimension	Total Height (with terminals)	215mm (8.46 inches)
	Height	211mm (8.31 inches)
	Length	260mm (10.24 inches)
	Width	169mm (6.69 inches)
Weight		Approx. 25.1 kg (55.34lbs)

### Discharge characteristics 25°C (77°F)



### Duration of discharge vs. Discharge current



This information is generally descriptive only and is not intended to make or imply any representation, guarantee or warranty with respect to any cells and batteries. Cell and battery designs/specification are subject to modification without notice. Contact U.B.S. UNION BATTERY SERVICE for the latest information.

DIVISION OF



[www.zenithdcbattery.com](http://www.zenithdcbattery.com)



# ZL120185

### Constant Current Discharge Rating Amperes @ 25°C (77°F)

Cut off voltage V/cell	30M	45M	1H	2H	3H	5H	8H	10H	12H	20H	24H
1.75V	97.7	72.5	59.6	31.6	16.7	11.4	9.5	8.1	5.3	4.4	

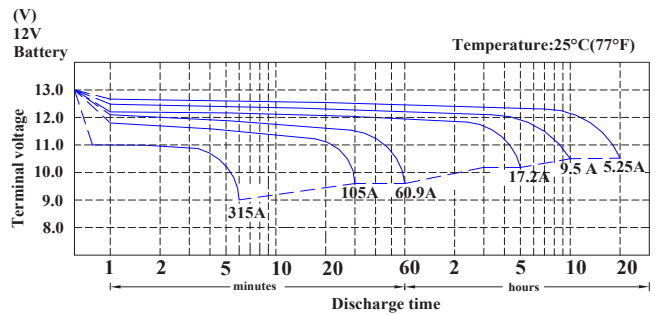
### Characteristics

Capacity 25°C (77°F)	20 hour rate (5.25A to 10.5Volts) 10 hour rate (9.5A to 10.5Volts) 5 hour rate (17.2A to 10.2Volts)	105AH 95AH 86AH
Internal Resistance	Full charged Battery 25°C (77°F)	4mΩ
Capacity affected by Temperature (20 hour rate)	40°C (104°F) 25°C (77°F) 0°C (32°F) -15°C (5°F)	102% 100% 85% 65%
Self-Discharge 25°C (77°F)	Capacity after 3 month storage Capacity after 6 month storage Capacity after 12 month storage	91% 82% 64%
Standard Terminal	M6	
Max. Discharge Current 25°C (77°F)	1050A (5s)	
Cranking Performance	Cranking Amps (30-sec amps to 7.2V @ 0°C (32°F)) Cold Cranking Amps (30-sec amps to 7.2V @ -18°C (0°F))	660A 550A
Reserve Capacity (Minutes to 10.5V at 27°C (80°F))	@ 25Amps @ 75Amps	175Min 43Min
Charging (Constant Voltage)	Cycle Initial Charging Current 21A Or Small 14.5V~14.9V/ 25°C (77°F) Float 13.6V~13.8V/ 25°C (77°F)	

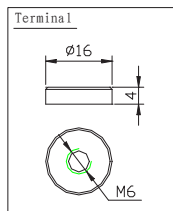
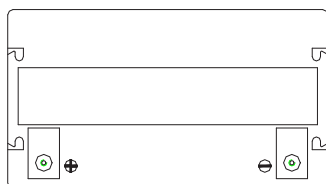
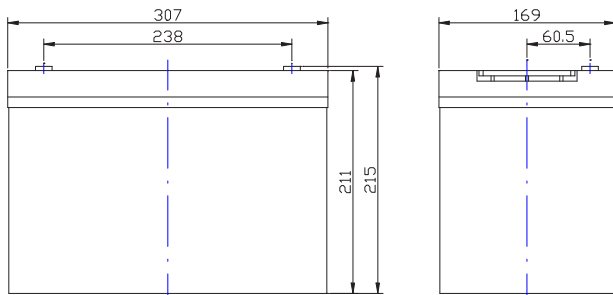
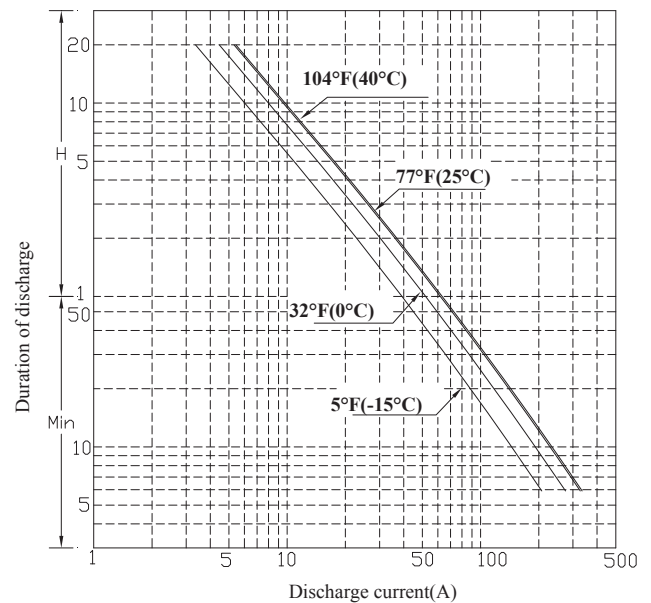
### Specifications

Nominal Voltage		12V
Rated Capacity (20 hour rate)		105Ah
Dimension	Total Height (with terminals)	215mm (8.46 inches)
	Height	211mm (8.31 inches)
	Length	307mm (12.09 inches)
	Width	169mm (6.69 inches)
Weight		Approx. 30.2 kg (66.58 lbs)

### Discharge characteristics 25°C (77°F)



### Duration of discharge vs. Discharge current



This information is generally descriptive only and is not intended to make or imply any representation, guarantee or warranty with respect to any cells and batteries. Cell and battery designs/specification are subject to modification without notice. Contact U.B.S. UNION BATTERY SERVICE for the latest information.

DIVISION OF



[www.zenithdcbattery.com](http://www.zenithdcbattery.com)

Zenith



# ZL1201110

## Constant Current Discharge Rating Amperes @ 25°C (77°F)

Cut off voltage V/cell	30M	45M	1H	2H	3H	5H	8H	10H	12H	20H	24H
1.75V	135.3	99.9	82.4	43.7	32.9	23	15.8	13.1	11.1	7.25	6.1

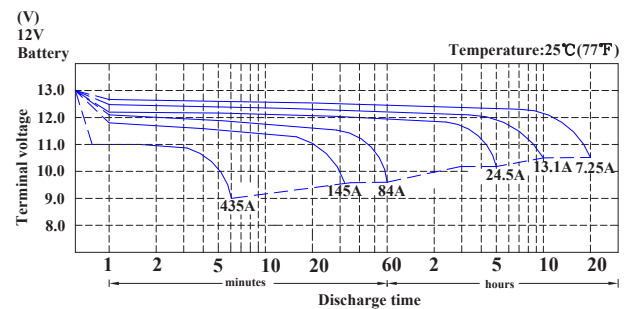
## Characteristics

Capacity 25°C (77°F)	20 hour rate (7.25A to 10.5Volts) 10 hour rate (13.1A to 10.5Volts) 5 hour rate (24.5A to 10.2Volts)	145AH 131AH 122AH
Internal Resistance	Full charged Battery 25°C (77°F)	3.6mΩ
Capacity affected by Temperature (20 hour rate)	40°C (104°F) 25°C (77°F) 0°C (32°F) -15°C (5°F)	102% 100% 85% 65%
Self-Discharge 25°C (77°F)	Capacity after 3 month storage Capacity after 6 month storage Capacity after 12 month storage	91% 82% 64%
Standard Terminal	M8	
Max. Discharge Current 25°C (77°F)	1400A (5s)	
Cranking Performance	Cranking Amps (30-sec amps to 7.2V @ 0°C (32°F)) Cold Cranking Amps (30-sec amps to 7.2V @ -18°C (0°F))	975A 820A
Reserve Capacity (Minutes to 10.5V at 27°C (80°F))	@ 25Amps @ 75Amps	279Min 86Min
Charging (Constant Voltage)	Cycle Initial Charging Current 27A Or Small 14.4V~14.9V/ 25°C (77°F) Float 13.6V~13.8V/ 25°C (77°F)	

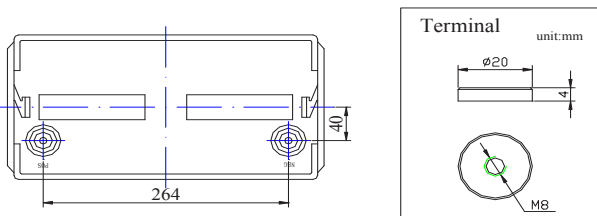
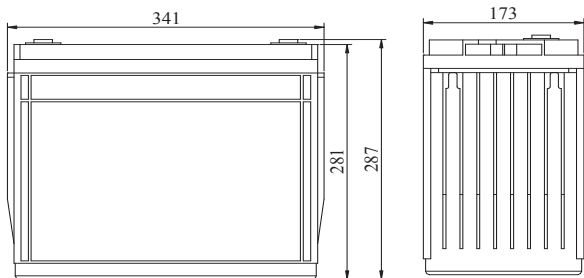
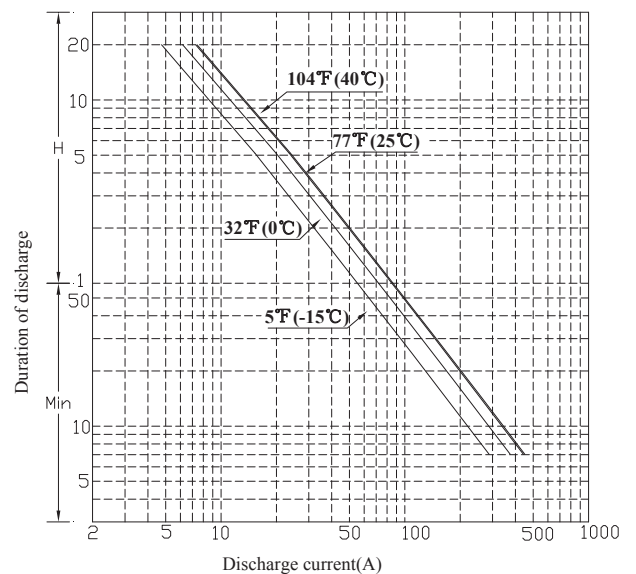
## Specifications

Nominal Voltage	12V	
Rated Capacity (20 hour rate)	145Ah	
Dimension	Total Height (with terminals)	287mm (11.30 inches)
	Height	281mm (11.06 inches)
	Length	341mm (13.43 inches)
	Width	173mm (6.81 inches)
Weight	Approx. 44.3 kg (97.46lbs)	

## Discharge characteristics 25°C (77°F)



## Duration of discharge vs. Discharge current



This information is generally descriptive only and is not intended to make or imply any representation, guarantee or warranty with respect to any cells and batteries. Cell and battery designs/specification are subject to modification without notice. Contact U.B.S. UNION BATTERY SERVICE for the latest information.

DIVISION OF



[www.zenithdcbattery.com](http://www.zenithdcbattery.com)

Zenith



# ZL1201115

## Constant Current Discharge Rating Amperes @ 25°C (77°F)

Cut off voltage V/cell	30M	45M	1H	2H	3H	5H	8H	10H	12H	20H	24H
1.75V	140	103	85.3	45.2	34	23.8	16.3	13.5	11.5	7.5	6.28

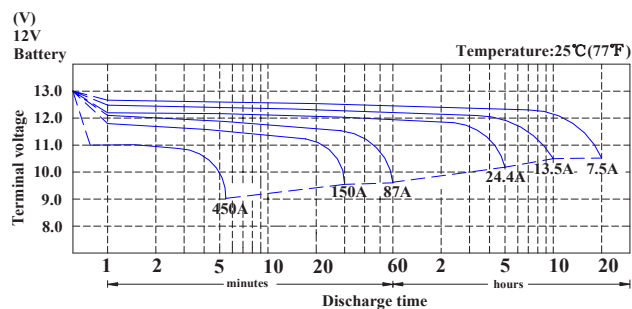
## Characteristics

Capacity 25°C (77°F)	20 hour rate (7.5A to 10.5Volts) 10 hour rate (13.5A to 10.5Volts) 5 hour rate (24.6A to 10.2Volts)	160AH 135AH 123AH
Internal Resistance	Full charged Battery 25°C (77°F)	2.8mΩ
Capacity affected by Temperature (20 hour rate)	40°C (104°F) 25°C (77°F) 0°C (32°F) -15°C (5°F)	102% 100% 85% 65%
Self-Discharge 25°C (77°F)	Capacity after 3 month storage Capacity after 6 month storage Capacity after 12 month storage	91% 82% 64%
Standard Terminal	M8	
Max. Discharge Current 25°C (77°F)	1500A (5s)	
Cranking Performance	Cranking Amps (30-sec amps to 7.2V @ 0°C (32°F)) Cold Cranking Amps (30-sec amps to 7.2V @ -18°C (0°F))	1070A 900A
Reserve Capacity (Minutes to 10.5V at 27°C (80°F))	@ 25Amps @ 75Amps	285Min 82Min
Charging (Constant Voltage)	Cycle Initial Charging Current 30A Or Small 14.5V~14.9V/ 25°C (77°F) Float 13.6V~13.8V/ 25°C (77°F)	

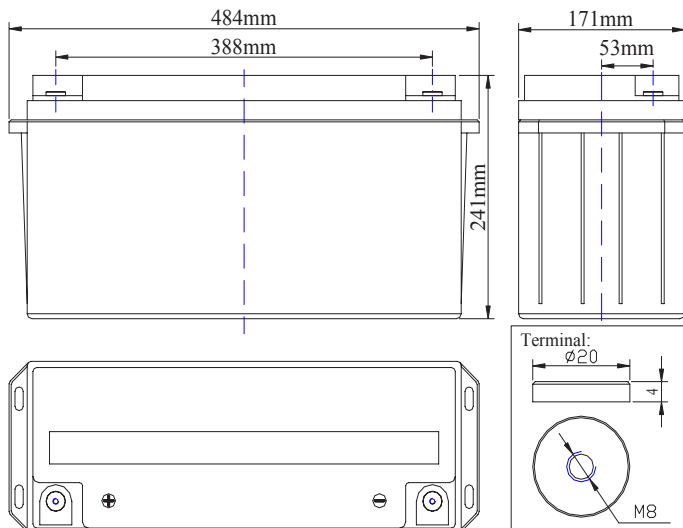
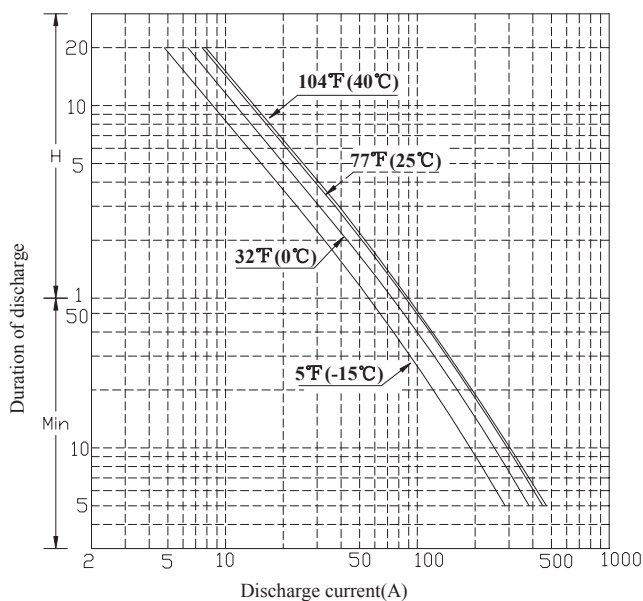
## Specifications

Nominal Voltage	12V	
Rated Capacity (20 hour rate)	160Ah	
Dimension	Total Height (with terminals)	241mm (9.49 inches)
	Height	241mm (9.49 inches)
	Length	484mm (19.06 inches)
	Width	171mm (6.73 inches)
Weight	Approx. 45.5 kg (100.1lbs)	

## Discharge characteristics 25°C (77°F)



## Duration of discharge vs. Discharge current



This information is generally descriptive only and is not intended to make or imply any representation, guarantee or warranty with respect to any cells and batteries. Cell and battery designs/specification are subject to modification without notice. Contact U.B.S. UNION BATTERY SERVICE for the latest information.

DIVISION OF



[www.zenithdcbattery.com](http://www.zenithdcbattery.com)



Zenith



# ZL1201130

## Constant Current Discharge Rating Amperes @ 25°C (77°F)

Cut off voltage V/cell	30M	45M	1H	2H	3H	5H	8H	10H	12H	20H	24H
1.75V	195	148	112	66.1	50.6	33.7	22.7	19.3	16.5	10.8	9.1

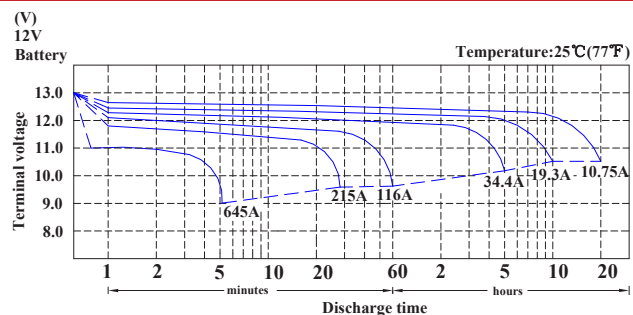
## Characteristics

Capacity 25°C (77°F)	20 hour rate (9.0A to 10.5Volts) 10 hour rate (16.2A to 10.5Volts) 5 hour rate (29.5A to 10.2Volts)	215AH 193AH 172AH
Internal Resistance	Full charged Battery 25°C (77°F)	2.3mΩ
Capacity affected by Temperature (20 hour rate)	40°C (104°F) 25°C (77°F) 0°C (32°F) -15°C (5°F)	102% 100% 85% 65%
Self-Discharge 25°C (77°F)	Capacity after 3 month storage Capacity after 6 month storage Capacity after 12 month storage	91% 82% 64%
Standard Terminal	DT	
Max. Discharge Current 25°C (77°F)	2000A (5s)	
Cranking Performance	Cranking Amps (30-sec amps to 7.2V @ 0°C (32°F)) Cold Cranking Amps (30-sec amps to 7.2V @ -18°C (0°F))	
Reserve Capacity (Minutes to 10.5V at 27°C (80°F))	@ 25Amps @ 75Amps	420Min 110Min
Charging (Constant Voltage)	Cycle Initial Charging Current 36A Or Small 14.5V~14.9V/ 25°C (77°F) Float 13.6V~13.8V/ 25°C (77°F)	

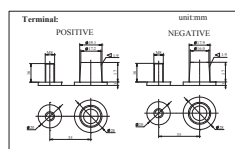
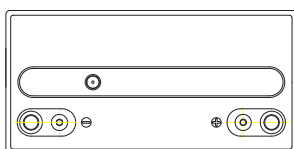
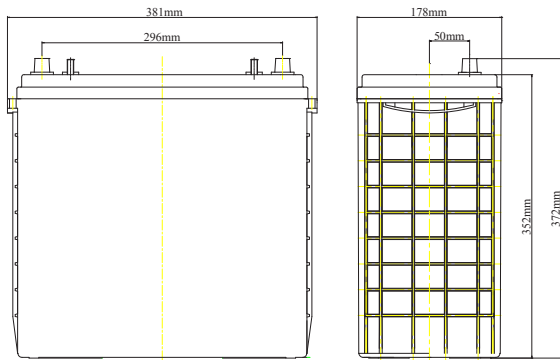
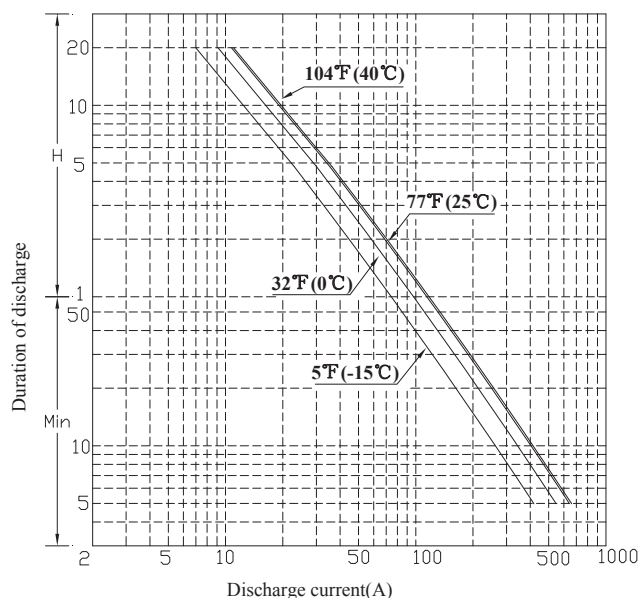
## Specifications

Nominal Voltage	12V	
Rated Capacity (20 hour rate)	215Ah	
Dimension	Total Height (with terminals)	372mm (14.65 inches)
	Height	352mm (13.86 inches)
	Length	381mm (15.00 inches)
	Width	178mm (7.01 inches)
Weight	Approx. 60,0 kg (132.28lbs)	

## Discharge characteristics 25°C (77°F)



## Duration of discharge vs. Discharge current



This information is generally descriptive only and is not intended to make or imply any representation, guarantee or warranty with respect to any cells and batteries. Cell and battery designs/specification are subject to modification without notice. Contact U.B.S. UNION BATTERY SERVICE for the latest information.

DIVISION OF



[www.zenithdcbattery.com](http://www.zenithdcbattery.com)





# ZL1201145

## Constant Current Discharge Rating Amperes @ 25°C (77°F)

Cut off voltage V/cell	30M	45M	1H	2H	3H	5H	8H	10H	12H	20H	24H
1.75V	233	172	147.8	78.3	58.9	41.3	28.3	23.4	19.93	13.0	10.8

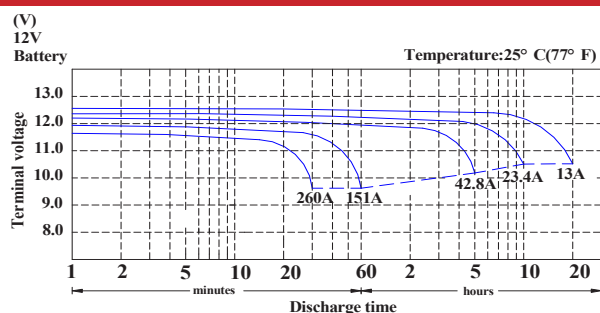
## Characteristics

Capacity 25°C (77°F)	20 hour rate (13A to 10.5Volts) 10 hour rate (23.4A to 10.5Volts) 5 hour rate (42.8A to 10.2Volts)	260AH 234AH 213AH
Internal Resistance	Full charged Battery 25°C (77°F)	1.8mΩ
Capacity affected by Temperature (20 hour rate)	40°C (104°F) 25°C (77°F) 0°C (32°F) -15°C (5°F)	102% 100% 85% 65%
Self-Discharge 25°C (77°F)	Capacity after 3 month storage Capacity after 6 month storage Capacity after 12 month storage	91% 82% 64%
Standard Terminal	M8	
Max. Discharge Current 25°C (77°F)	2600A (5s)	
Cranking Performance	Cranking Amps (30-sec amps to 7.2V @ 0°C (32°F)) Cold Cranking Amps (30-sec amps to 7.2V @ -18°C (0°F))	
Reserve Capacity (Minutes to 10.5V at 27°C (80°F))	@ 25Amps @ 75Amps	578Min 145Min
Charging (Constant Voltage)	Cycle Initial Charging Current 52A Or Small 14.5V~14.9V/ 25°C (77°F) Float 13.6V~13.8V/ 25°C (77°F)	

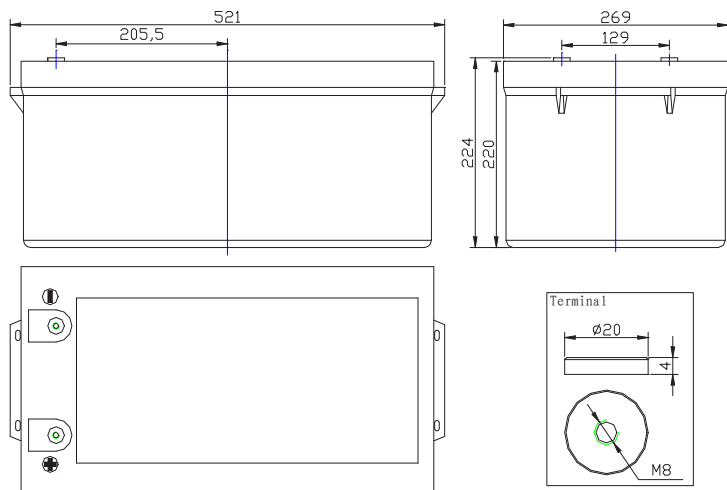
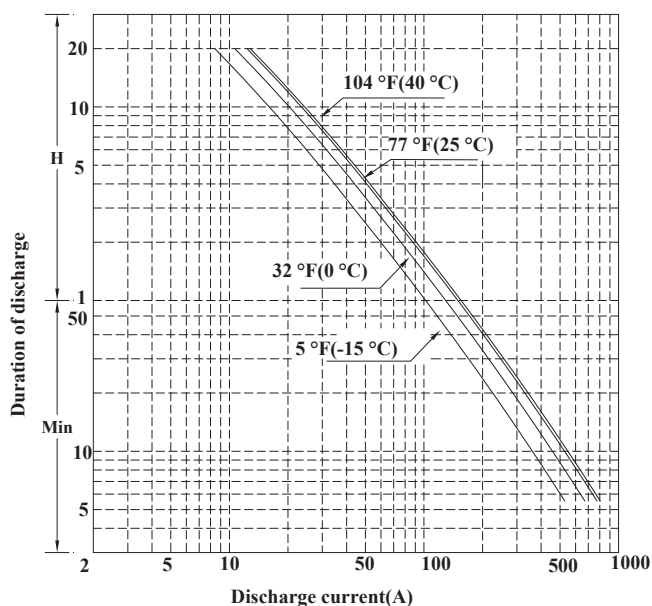
## Specifications

Nominal Voltage	12V	
Rated Capacity (20 hour rate)	260Ah	
Dimension	Total Height (with terminals)	224mm (8.82 inches)
	Height	220mm (8.66 inches)
	Length	521mm (20.51 inches)
	Width	269mm (10.59 inches)
Weight	Approx. 78.2 kg (172.40lbs)	

## Discharge characteristics 25°C (77°F)



## Duration of discharge vs. Discharge current



This information is generally descriptive only and is not intended to make or imply any representation, guarantee or warranty with respect to any cells and batteries. Cell and battery designs/specification are subject to modification without notice. Contact U.B.S. UNION BATTERY SERVICE for the latest information.

DIVISION OF



[www.zenithdcbattery.com](http://www.zenithdcbattery.com)

# ZGL120048

## Constant Current Discharge Rating Amperes @ 25°C (77°F)

FV/Time	5M	10M	15M	30M	1HR	2HR	3HR	4HR	5HR	8HR	10HR	20HR
10.5	87.82	64.72	53.87	36.07	20.96	11.7	8.481	6.99	5.69	3.99	3.366	1.733

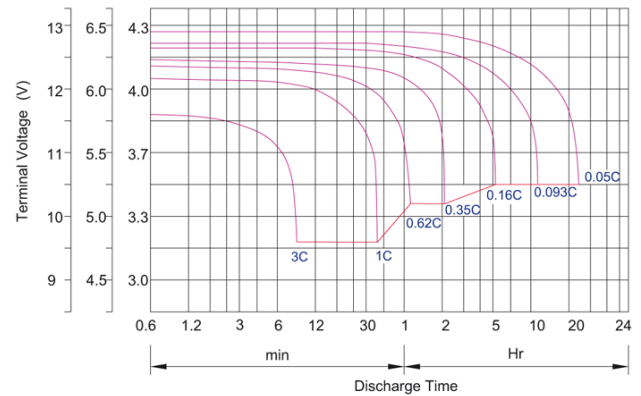
## Characteristics

Capacity 25°C (77°F)	20 hour rate 5 hour rate	35AH 29.8AH
Internal Resistance	Full charged Battery 25°C (77°F)	9mΩ
Capacity affected by Temperature (20 hour rate)	40°C (104°F) 25°C (77°F) 0°C (32°F) -10°C (14°F)	107% 100% 76% 66%
Self-Discharge	Batteries can be stored for more than 6 months at 25°C. Self-discharge ratio less than 3% per month at 25°C. Please charge batteries before using.	
Standard Terminal	M6	
Max. Discharge Current 25°C (77°F)	330A (5s)	
Final Discharge Voltage V/cell	1.75V	1.70V
Discharge Current (A)	(A) ≤ 0.2C	0.2 < (A) < 1.0C
Charging (Constant Voltage)	Cycle Initial Charging Current 9.9A Or Small 14.6V~14.8V/ 25°C (77°F) Float 13.6V~13.8V/ 25°C (77°F)	
Container Material	A.B.S. (UL94-HB), Flammability resistance of UL94-V1 can be available upon request.	

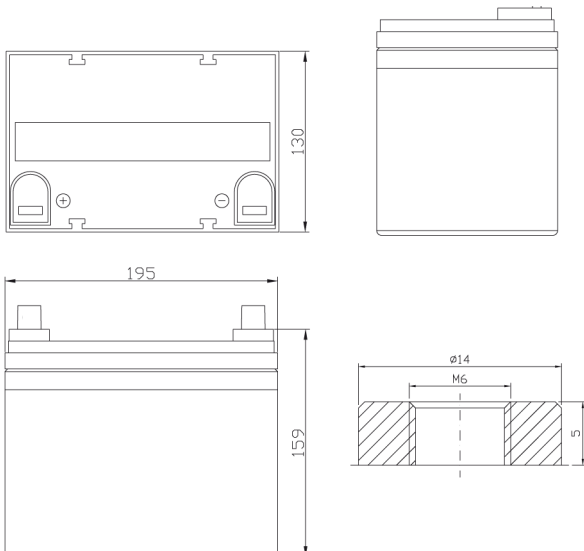
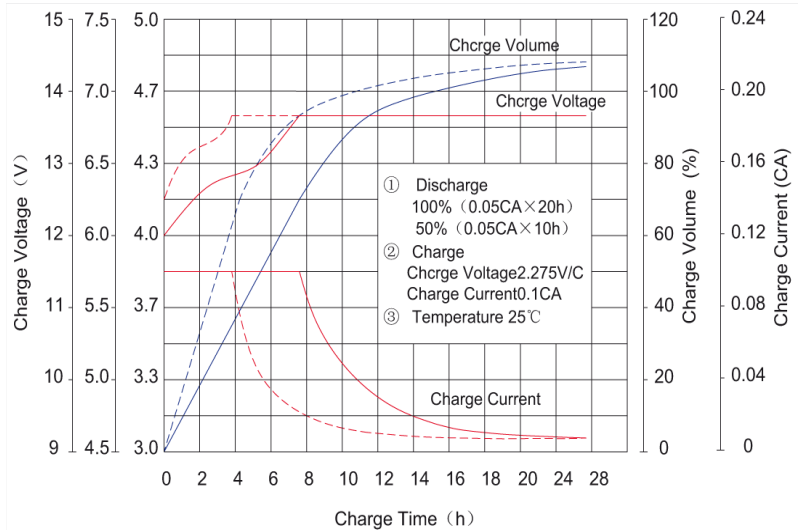
## Specifications

Nominal Voltage	12V	
Rated Capacity (20 hour rate)	35Ah	
Dimension	Total Height (with terminals)	159mm (6.264 inches)
	Height	159mm (6.264 inches)
	Length	195mm (7.683 inches)
	Width	130mm (5.122 inches)
Weight	Approx. 10.2kg (22.44lbs)	

## Discharge characteristics 25°C (77°F)



## Charge characteristic Curve for standby use



This information is generally descriptive only and is not intended to make or imply any representation, guarantee or warranty with respect to any cells and batteries. Cell and battery designs/specification are subject to modification without notice. Contact U.B.S. UNION BATTERY SERVICE for the latest information.

DIVISION OF



[www.zenithdcbattery.com](http://www.zenithdcbattery.com)

# ZGL120058

## Constant Current Discharge Rating Amperes @ 25°C (77°F)

FV/Time	5M	10M	15M	30M	1HR	2HR	3HR	4HR	5HR	8HR	10HR	20HR
10.5	146.4	107.9	89.79	60.12	34.93	19.5	14.14	11.6	9.49	6.66	5.610	2.888

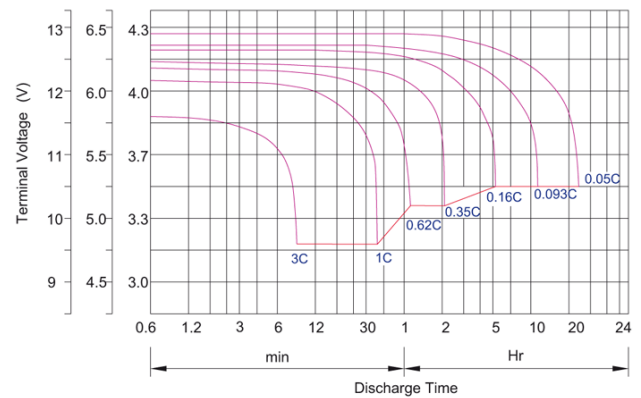
## Characteristics

Capacity 25°C (77°F)	20 hour rate 5 hour rate	55AH 48.0AH
Internal Resistance	Full charged Battery 25°C (77°F)	6mΩ
Capacity affected by Temperature (20 hour rate)	40°C (104°F) 25°C (77°F) 0°C (32°F) -10°C (14°F)	107% 100% 76% 66%
Self-Discharge	Batteries can be stored for more than 6 months at 25°C. Self-discharge ratio less than 3% per month at 25°C. Please charge batteries before using.	
Standard Terminal	M6	
Max. Discharge Current 25°C (77°F)	550A (5s)	
Final Discharge Voltage V/cell	1.75V	1.70V
Discharge Current (A)	(A) ≤ 0.2C	0.2 < (A) < 1.0C
Charging (Constant Voltage)	Cycle Initial Charging Current 16.5A Or Small 14.6V~14.8V/ 25°C (77°F) Float 13.6V~13.8V/ 25°C (77°F)	
Container Material	A.B.S. (UL94-HB), Flammability resistance of UL94-V1 can be available upon request.	

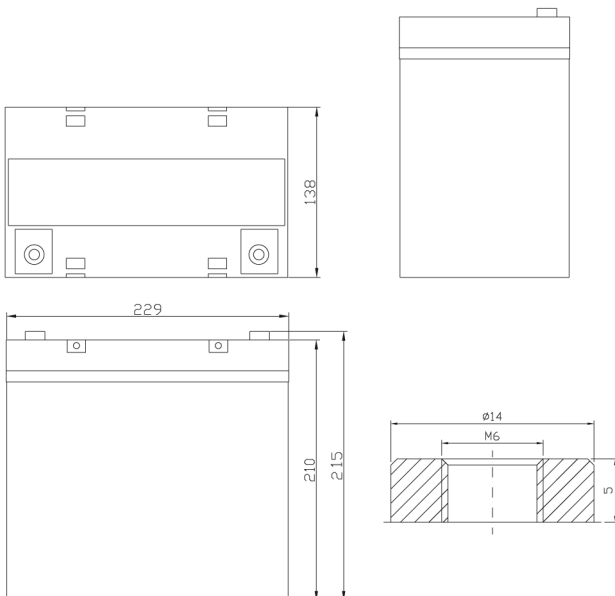
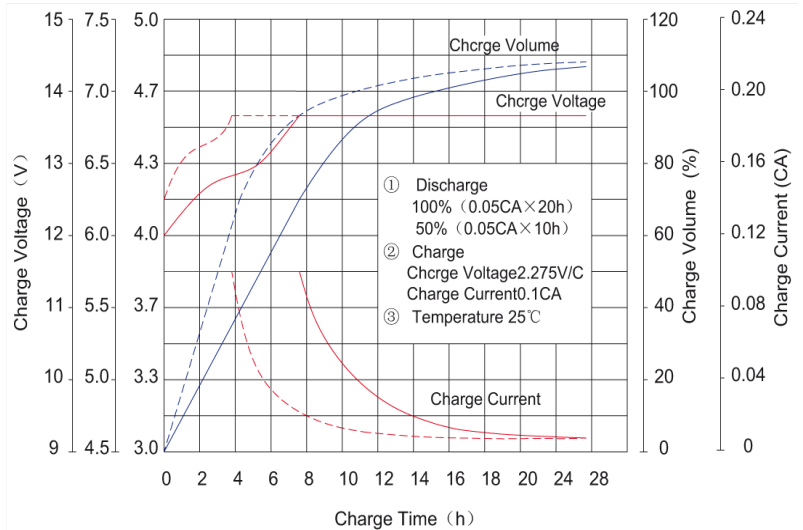
## Specifications

Nominal Voltage	12V	
Rated Capacity (20 hour rate)	55Ah	
Dimension	Total Height (with terminals)	235mm (9.259 inches)
	Height	210mm (8.274 inches)
	Length	229mm (9.0226 inches)
	Width	138mm (5.4372 inches)
Weight	Approx. 18.0 kg (39.6lbs)	

## Discharge characteristics 25°C (77°F)



## Charge characteristic Curve for standby use



This information is generally descriptive only and is not intended to make or imply any representation, guarantee or warranty with respect to any cells and batteries. Cell and battery designs/specification are subject to modification without notice. Contact U.B.S. UNION BATTERY SERVICE for the latest information.

DIVISION OF



[www.zenithdcbattery.com](http://www.zenithdcbattery.com)

# ZGL120070

## Constant Current Discharge Rating Amperes @ 25°C (77°F)

FV/Time	5M	10M	15M	30M	1HR	2HR	3HR	4HR	5HR	8HR	10HR	20HR
10.5	199.5	147.1	122.4	81.97	47.62	26.6	19.27	15.9	12.9	9.08	7.650	3.938

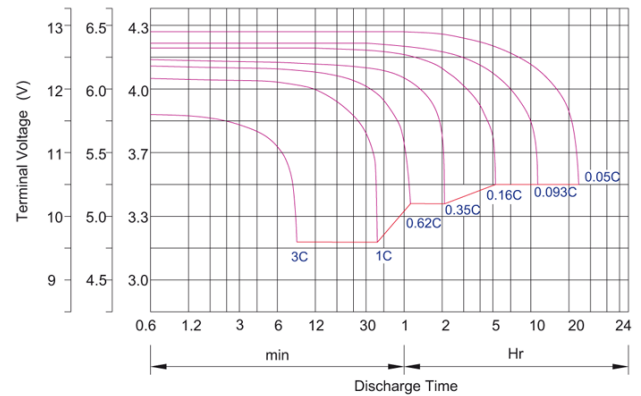
## Characteristics

Capacity 25°C (77°F)	20 hour rate 5 hour rate	80AH 68AH
Internal Resistance	Full charged Battery 25°C (77°F)	6mΩ
Capacity affected by Temperature (20 hour rate)	40°C (104°F) 25°C (77°F) 0°C (32°F) -10°C (14°F)	107% 100% 76% 66%
Self-Discharge	Batteries can be stored for more than 6 months at 25°C. Self-discharge ratio less than 3% per month at 25°C. Please charge batteries before using.	
Standard Terminal	M6	
Max. Discharge Current 25°C (77°F)	750A (5s)	
Final Discharge Voltage V/cell	1.75V	1.70V
Discharge Current (A)	(A) ≤ 0.2C	0.2 < (A) < 1.0C
Charging (Constant Voltage)	Cycle Initial Charging Current 22.5A Or Small 14.6V~14.8V/ 25°C (77°F) Float 13.6V~13.8V/ 25°C (77°F)	
Container Material	A.B.S. (UL94-HB), Flammability resistance of UL94-V1 can be available upon request.	

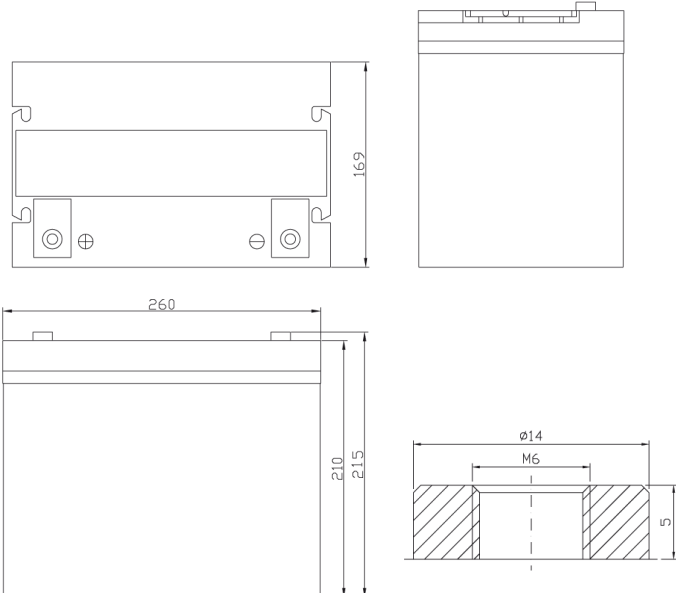
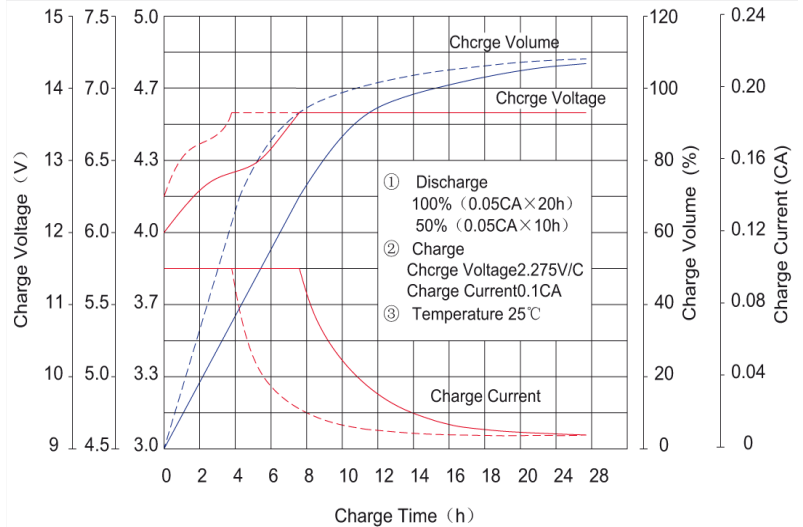
## Specifications

Nominal Voltage	12V	
Rated Capacity (20 hour rate)	80Ah	
Dimension	Total Height (with terminals)	235mm (7.212 inches)
	Height	210mm (7.092 inches)
	Length	260mm (13.79 inches)
	Width	169mm (6.57 inches)
Weight	Approx. 23.5 kg (52.8lbs)	

## Discharge characteristics 25°C (77°F)



## Charge characteristic Curve for standby use



This information is generally descriptive only and is not intended to make or imply any representation, guarantee or warranty with respect to any cells and batteries. Cell and battery designs/specification are subject to modification without notice. Contact U.B.S. UNION BATTERY SERVICE for the latest information.

DIVISION OF



[www.zenithdcbattery.com](http://www.zenithdcbattery.com)





# ZGL120078

## Constant Current Discharge Rating Amperes @ 25°C (77°F)

F.V/Time	5M	10M	15M	30M	1HR	2HR	3HR	4HR	5HR	8HR	10HR	20HR
	266.1	196.1	163.2	109.3	63.50	35.4	25.70	21.20	17.2	12.1	10.20	5.25

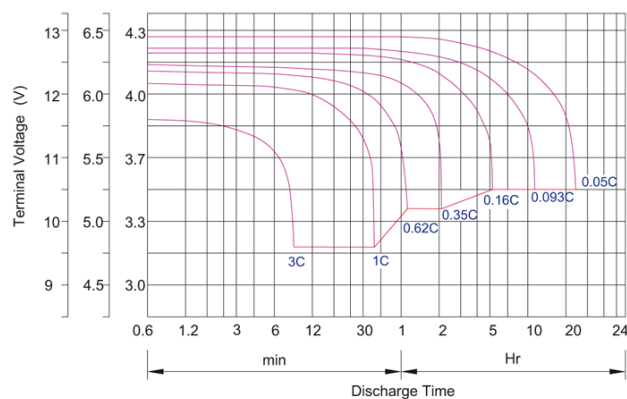
## Characteristics

Capacity	20 hour rate	100AH	
	5 hour rate	85.0AH	
Internal Resistance	Full charged Battery 25°C (77°F)	5mΩ	
Capacity affected by Temperature (20 hour rate)	40°C (104°F)	107%	
	25°C (77°F)	100%	
	0°C (32°F)	76%	
	-10°C (14°F)	66%	
Self-Discharge	Batteries can be stored for more than 6 months at 25°C. Self-discharge ratio less than 3% per month at 25°C. Please charge batteries before using.		
Standard Terminal	M8		
Max. Discharge Current 25°C (77°F)	1000A (5s)		
Final Discharge Voltage V/cell	1.75V	1.70V	1.60V
	(A) ≤ 0.2C	0.2 < (A) < 1.0C	(A) ≥ 1.0C
	Charging (Constant Voltage)		
Charging (Constant Voltage)	Cycle	Initial Charging Current 36A Or Small 14.6V~14.8V/ 25°C (77°F)	
	Float	13.6V~13.8V/ 25°C (77°F)	
Container Material	A.B.S. (UL94-HB), Flammability resistance of UL94-V1 can be available upon request.		

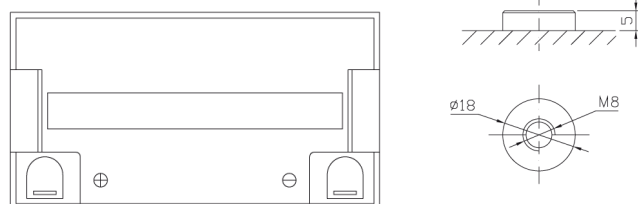
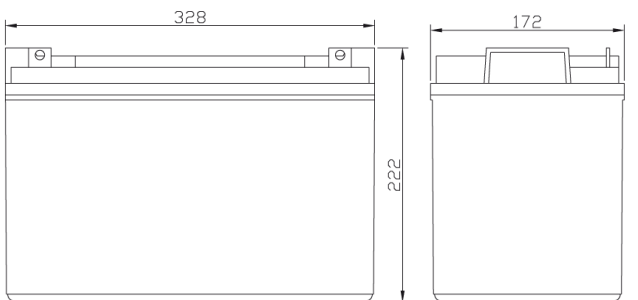
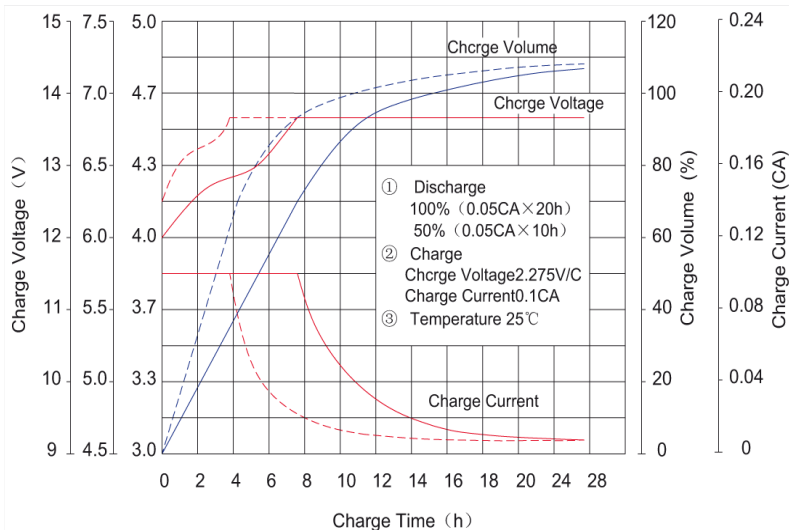
## Specifications

Nominal Voltage	12V	
Rated Capacity (20 hour rate)	100Ah	
Dimension	Total Height (with terminals)	222mm (8.74 inches)
	Height	222mm (8.74 inches)
	Length	328mm (12.91 inches)
	Width	172mm (6.77 inches)
Weight	Approx. 30.0 kg (66lbs)	

## Discharge characteristics 25°C (77°F)



## Charge characteristic Curve for standby use



This information is generally descriptive only and is not intended to make or imply any representation, guarantee or warranty with respect to any cells and batteries. Cell and battery designs/specification are subject to modification without notice. Contact U.B.S. UNION BATTERY SERVICE for the latest information.

DIVISION OF



[www.zenithdcbattery.com](http://www.zenithdcbattery.com)



# ZGL120085

## Constant Current Discharge Rating Amperes @ 25°C (77°F)

FV/Time	5M	10M	15M	30M	1HR	2HR	3HR	4HR	5HR	8HR	10HR	20HR
10.5	309.7	235.3	195.9	131.1	76.20	42.5	30.84	25.44	20.7	14.5	12.24	6.301

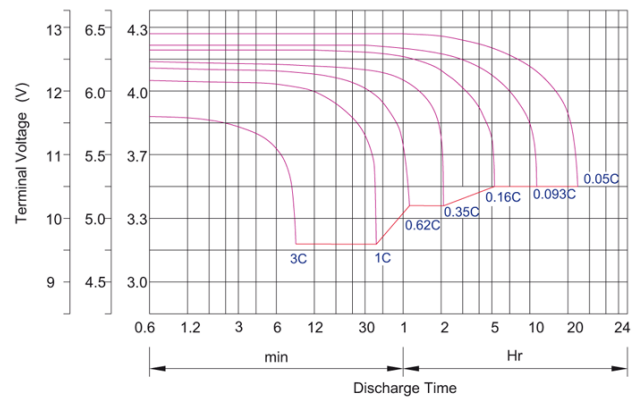
## Characteristics

Capacity 25°C (77°F)	20 hour rate (13A to 10.5Volts) 5 hour rate (42.8A to 10.2Volts)		120AH 102.0AH
Internal Resistance	Full charged Battery 25°C (77°F)		4mΩ
Capacity affected by Temperature (20 hour rate)	40°C (104°F) 25°C (77°F) 0°C (32°F) -10°C (14°F)	107% 100% 76% 66%	
Self-Discharge	Batteries can be stored for more than 6 months at 25°C. Self-discharge ratio less than 3% per month at 25°C. Please charge batteries before using.		
Standard Terminal	M8		
Max. Discharge Current 25°C (77°F)	1200A (5s)		
Final Discharge Voltage V/cell	1.75V	1.70V	1.60V
Discharge Current (A)	(A) ≤ 0.2C	0.2 < (A) < 1.0C	(A) ≥ 1.0C
Charging (Constant Voltage)	Cycle Initial Charging Current 36A Or Small 14.6V~14.8V/ 25°C (77°F) Float 13.6V~13.8V/ 25°C (77°F)		
Container Material	A.B.S. (UL94-HB), Flammability resistance of UL94-V1 can be available upon request.		

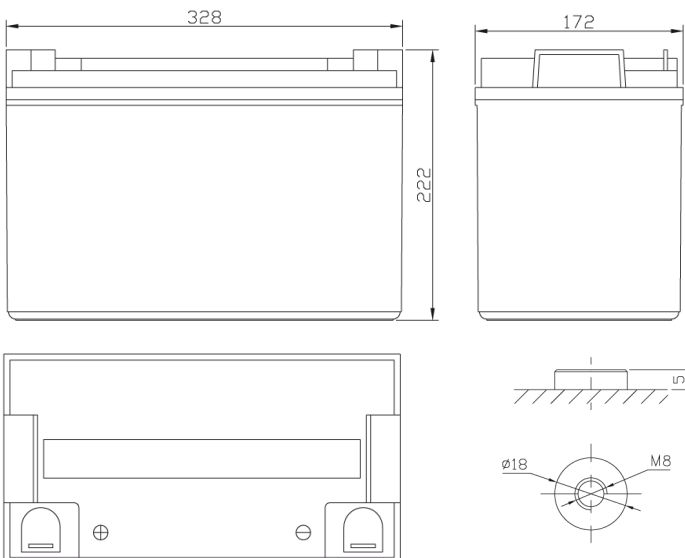
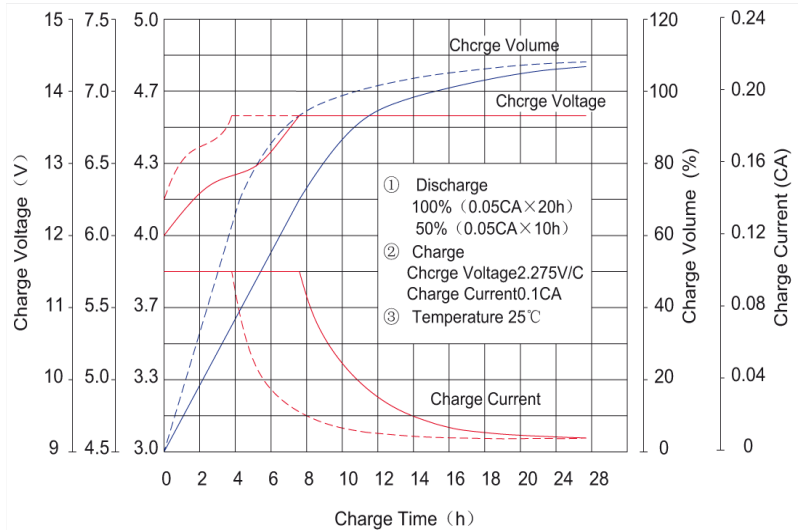
## Specifications

Nominal Voltage	12V	
Rated Capacity (20 hour rate)	120Ah	
Dimension	Total Height (with terminals)	222mm (8.746inches)
	Height	222mm (8.746 inches)
	Length	328mm (12.923 inches)
	Width	172mm (6.776 inches)
Weight	Approx. 32.0 kg (70.4lbs)	

## Discharge characteristics 25°C (77°F)



## Charge characteristic Curve for standby use



This information is generally descriptive only and is not intended to make or imply any representation, guarantee or warranty with respect to any cells and batteries. Cell and battery designs/specification are subject to modification without notice. Contact U.B.S. UNION BATTERY SERVICE for the latest information.

DIVISION OF



[www.zenithdcbattery.com](http://www.zenithdcbattery.com)

# ZGL120088

## Constant Current Discharge Rating Amperes @ 25°C (77°F)

FV/Time	5M	10M	15M	30M	1HR	2HR	3HR	4HR	5HR	8HR	10HR	20HR
10.5	387.1	285.3	244.8	159.0	95.25	53.2	38.55	31.80	25.8	18.7	15.30	7.87

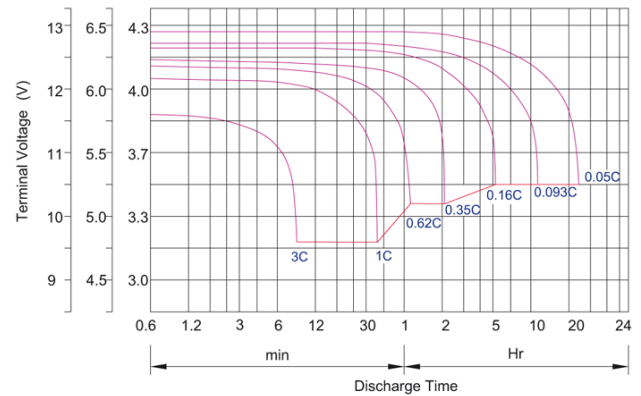
## Characteristics

Capacity 25°C (77°F)	20 hour rate 5 hour rate	160AH 136.0AH	
Internal Resistance	Full charged Battery 25°C (77°F)	4mΩ	
Capacity affected by Temperature (20 hour rate)	40°C (104°F) 25°C (77°F) 0°C (32°F) -10°C (14°F)	107% 100% 76% 66%	
Self-Discharge	Batteries can be stored for more than 6 months at 25°C. Self-discharge ratio less than 3% per month at 25°C. Please charge batteries before using.		
Standard Terminal	M8		
Max. Discharge Current 25°C (77°F)	1500A (5s)		
Final Discharge Voltage V/cell	1.75V	1.70V	1.60V
Discharge Current (A)	(A) ≤ 0.2C	0.2 < (A) < 1.0C	(A) ≥ 1.0C
Charging (Constant Voltage)	Cycle Float	Initial Charging Current 45A Or Small 14.6V~14.8V/ 25°C (77°F) 13.6V~13.8V/ 25°C (77°F)	
Container Material	A.B.S. (UL94-HB), Flammability resistance of UL94-V1 can be available upon request.		

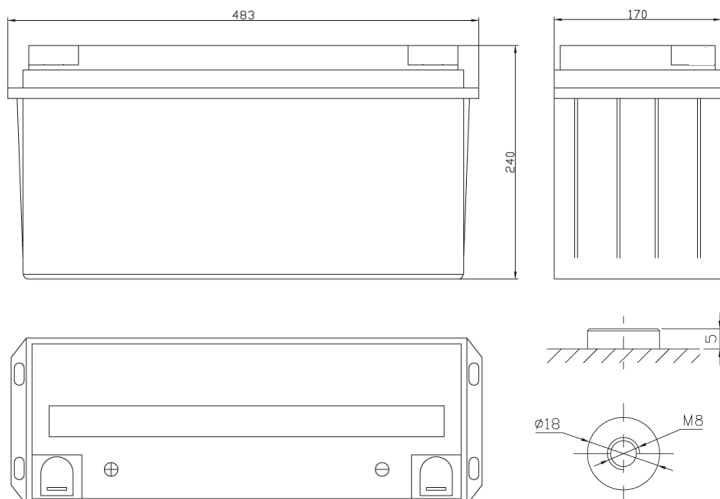
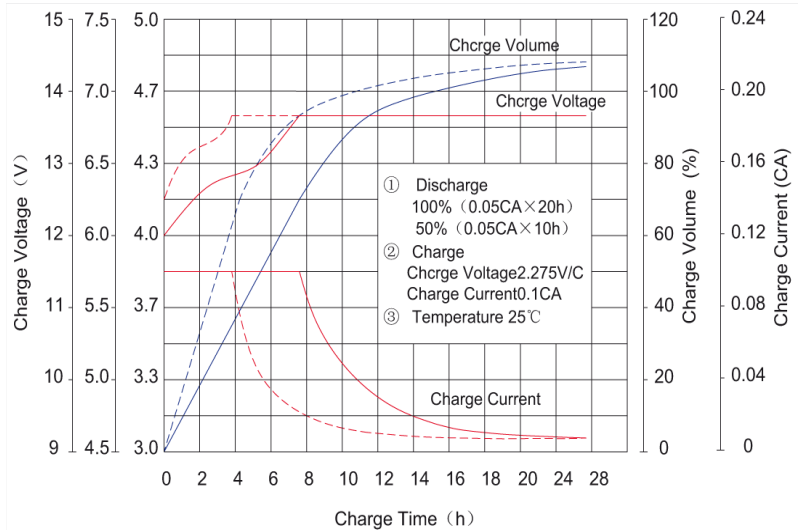
## Specifications

Nominal Voltage	12V	
Rated Capacity (20 hour rate)	160Ah	
Dimension	Total Height (with terminals)	240mm (9.44 inches)
	Height	240mm (9.44 inches)
	Length	483mm (19.01 inches)
	Width	170mm (6.69 inches)
Weight	Approx. 44.5 kg (97.9lbs)	

## Discharge characteristics 25°C (77°F)



## Charge characteristic Curve for standby use



This information is generally descriptive only and is not intended to make or imply any representation, guarantee or warranty with respect to any cells and batteries. Cell and battery designs/specification are subject to modification without notice. Contact U.B.S. UNION BATTERY SERVICE for the latest information.

DIVISION OF



[www.zenithdcbattery.com](http://www.zenithdcbattery.com)



# ZGL120094

## Constant Current Discharge Rating Amperes @ 25°C (77°F)

F.V/Time	5M	10M	15M	30M	1HR	2HR	3HR	4HR	5HR	8HR	10HR	20HR
10.5	516.2	392.2	326.5	218.6	127.0	70.9	51.40	42.40	34.5	24.2	20.40	10.50

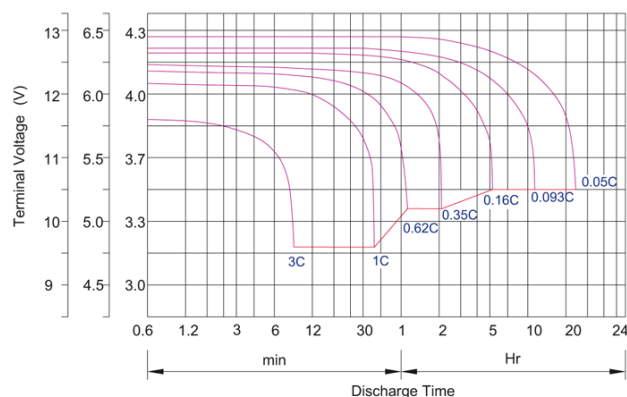
## Characteristics

Capacity	20 hour rate	210AH	
25°C (77°F)	5 hour rate	178.5AH	
Internal Resistance	Full charged Battery 25°C (77°F)	4mΩ	
Capacity affected by Temperature (20 hour rate)	40°C (104°F)	107%	
	25°C (77°F)	100%	
	0°C (32°F)	76%	
	-10°C (14°F)	66%	
Self-Discharge	Batteries can be stored for more than 6 months at 25°C. Self-discharge ratio less than 3% per month at 25°C. Please charge batteries before using.		
Standard Terminal	M8		
Max. Discharge Current 25°C (77°F)	2000A (5s)		
Final Discharge Voltage V/cell	1.75V	1.70V	1.60V
	(A) ≤ 0.2C	0.2 < (A) < 1.0C	(A) ≥ 1.0C
	Charging (Constant Voltage)		
Cycle	Initial Charging Current 60A Or Small		
	14.6V~14.8V/ 25°C (77°F)		
Float	13.6V~13.8V/ 25°C (77°F)		
Container Material	A.B.S. (UL94-HB), Flammability resistance of UL94-V1 can be available upon request.		

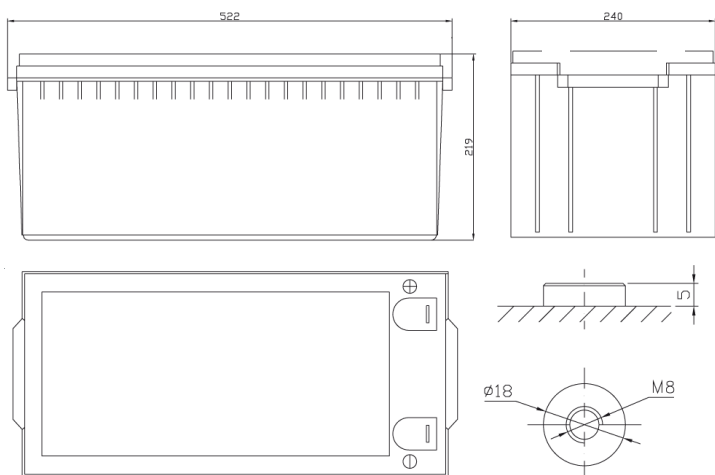
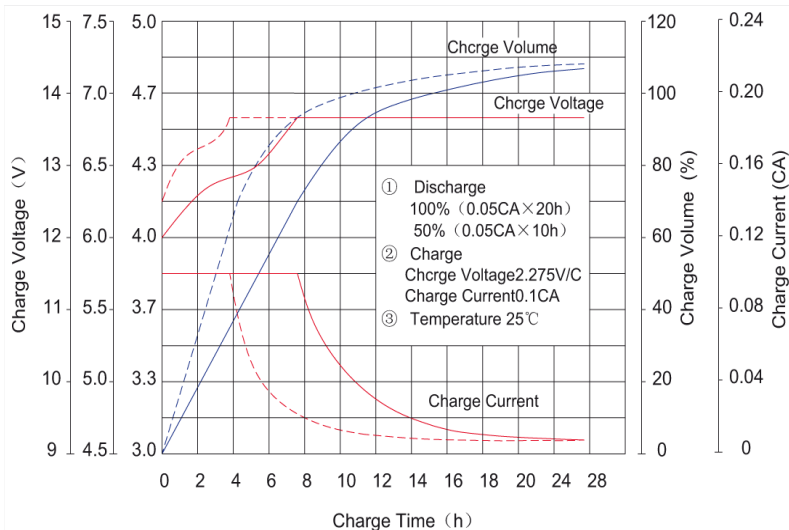
## Specifications

Nominal Voltage		12V
Rated Capacity (20 hour rate)		210Ah
Dimension	Total Height (with terminals)	219mm (8.62 inches)
	Height	219mm (8.62 inches)
	Length	522mm (20.55 inches)
	Width	240mm (9.44 inches)
Weight		Approx. 60.0 kg (132.0lbs)

## Discharge characteristics 25°C (77°F)



## Charge characteristic Curve for standby use



This information is generally descriptive only and is not intended to make or imply any representation, guarantee or warranty with respect to any cells and batteries. Cell and battery designs/specification are subject to modification without notice. Contact U.B.S. UNION BATTERY SERVICE for the latest information.

DIVISION OF



[www.zenithdcbattery.com](http://www.zenithdcbattery.com)

# ZGL120098

## Constant Current Discharge Rating Amperes @ 25°C (77°F)

FV/Time	5M	10M	15M	30M	1HR	2HR	3HR	4HR	5HR	8HR	10HR	20HR
10.5	671.1	494.6	424.4	275.6	165.1	92.2	66.82	55.12	44.8	31.5	26.52	13.65

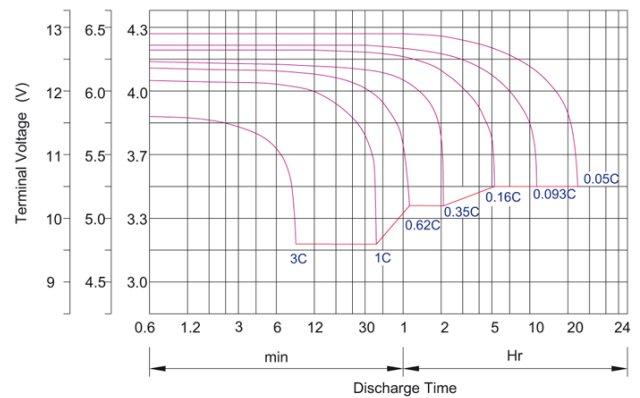
## Characteristics

Capacity	20 hour rate	260AH	
25°C (77°F)	5 hour rate	221AH	
Internal Resistance	Full charged Battery 25°C (77°F)	3.5mΩ	
Capacity affected by Temperature (20 hour rate)	40°C (104°F)	107%	
	25°C (77°F)	100%	
	0°C (32°F)	76%	
	-10°C (14°F)	66%	
Self-Discharge Batteries	can be stored for more than 6 months at 25°C. Self-discharge ratio less than 3% per month at 25°C. Please charge batteries before using.		
Standard Terminal	M8		
Max. Discharge Current 25°C (77°F)	2600A (5s)		
Final Discharge Voltage V/cell	1.75V	1.70V	1.60V
	(A) ≤ 0.2C	0.2 < (A) < 1.0C	(A) ≥ 1.0C
	Charging (Constant Voltage)	Cycle Initial Charging Current 78A Or Small 14.6V~14.8V/ 25°C (77°F) Float 13.6V~13.8V/ 25°C (77°F)	
Container Material	A.B.S. (UL94-HB), Flammability resistance of UL94-V1 can be available upon request.		

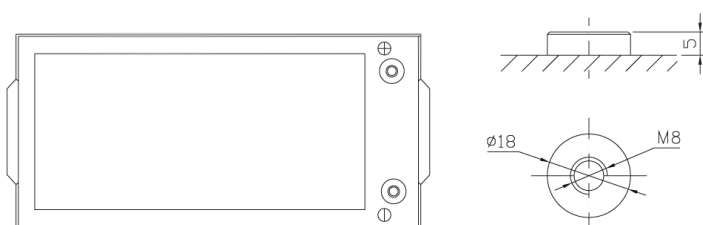
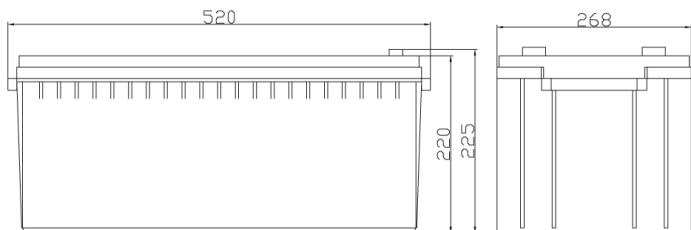
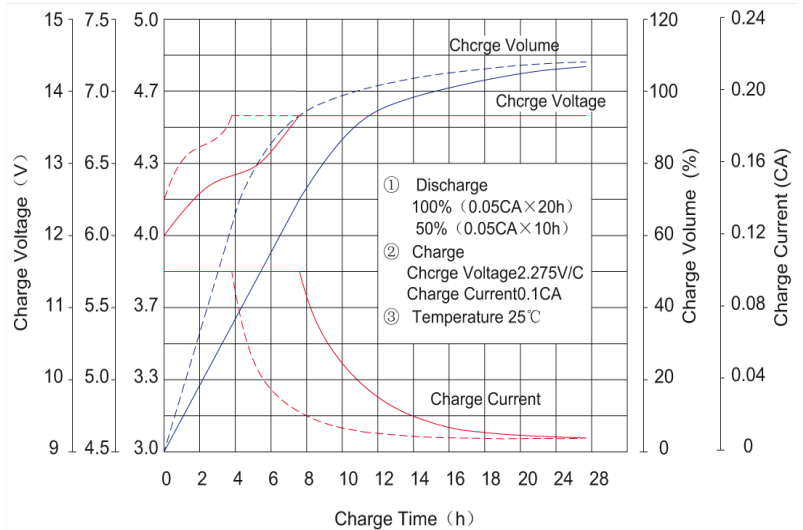
## Specifications

Nominal Voltage	12V	
Rated Capacity (20 hour rate)	260Ah	
Dimension	Total Height (with terminals)	225mm (8.85 inches)
	Height	220mm (8.66 inches)
	Length	520mm (20.47 inches)
	Width	268mm (10.55 inches)
Weight	Approx. 74.0 kg (162.8lbs)	

## Discharge characteristics 25°C (77°F)



## Charge characteristic Curve for standby use



This information is generally descriptive only and is not intended to make or imply any representation, guarantee or warranty with respect to any cells and batteries. Cell and battery designs/specification are subject to modification without notice. Contact U.B.S. UNION BATTERY SERVICE for the latest information.

DIVISION OF



[www.zenithdcbattery.com](http://www.zenithdcbattery.com)