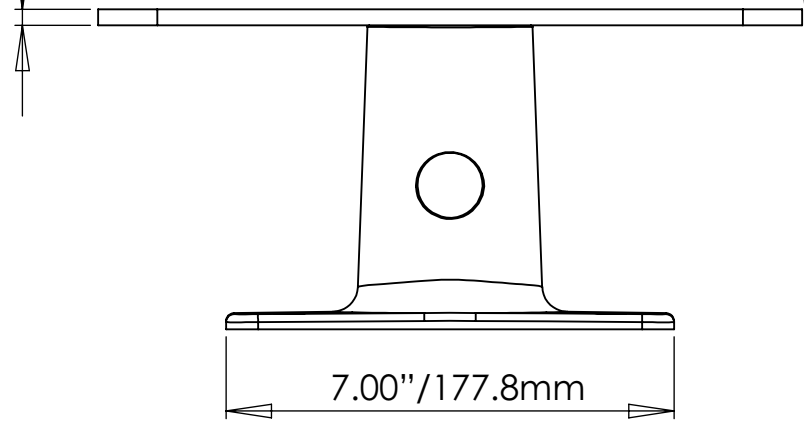
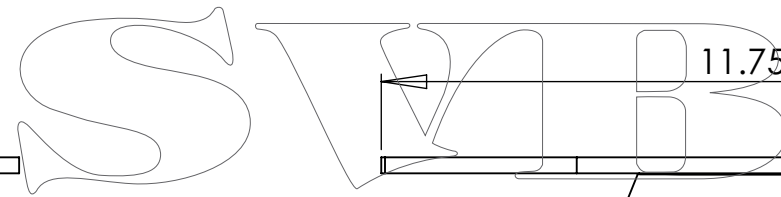


TOP PLATE FOR 2kW & 4kW DOMES

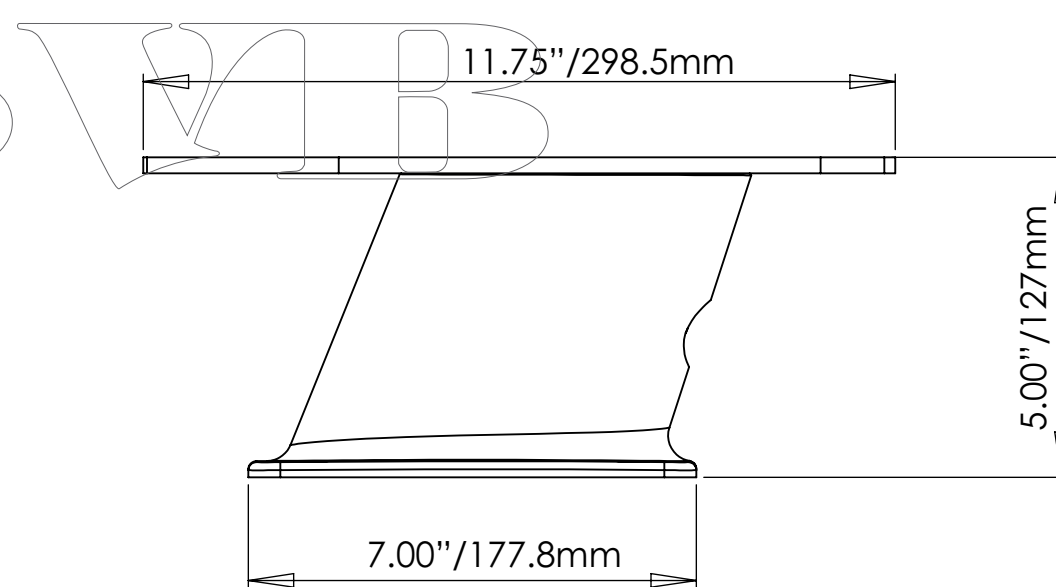
0.25" / 6.35mm



7.00" / 177.8mm



Ø0.52" / 13.2mm



7.00" / 177.8mm

11.75" / 298.5mm

5.00" / 127mm

PROPRIETARY AND CONFIDENTIAL
THE INFORMATION CONTAINED IN THIS DRAWING IS THE SOLE PROPERTY OF PYI, INC. REPRODUCTION IN PART OR AS A WHOLE WITHOUT THE WRITTEN PERMISSION OF PYI, INC.

		UNLESS OTHERWISE SPECIFIED:		NAME	DATE
		DIMENSIONS ARE IN INCHES/mm		DRAWN	JR 10.03.07
		TOLERANCES:		CHECKED	
		FRACTIONAL ±		ENG APPR.	
		ANGULAR: MACH ± BEND ±		MFG APPR.	
		TWO PLACE DECIMAL ±		Q.A.	
		THREE PLACE DECIMAL ±		COMMENTS:	
		INTERPRET GEOMETRIC TOLERANCING PER:			
		MATERIAL			
		FINISH			
NEXT ASSY	USED ON				
WEIGHT:	SHEET 1 OF 1	DO NOT SCALE DRAWING			

PYI, INC. Beverly Park Rd
Lynnwood, WA 98087
Ph. 425-355-3669 Fax. 425-355-3661

TITLE:
5" AFT PWR MNT PLUS FOR GARMIN

SIZE DWG. NO. REV
B PMA-5G-7L

SCALE: 1:3 WEIGHT: SHEET 1 OF 1