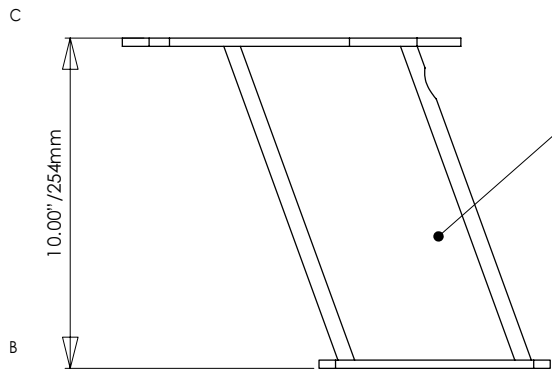
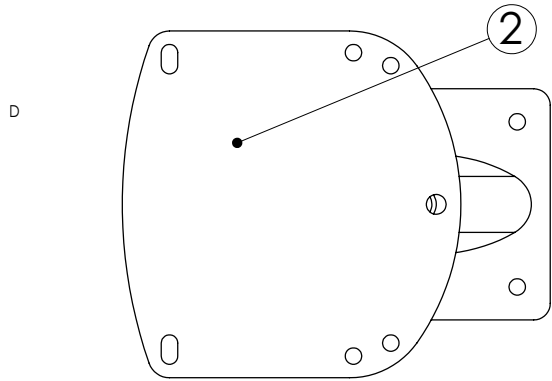
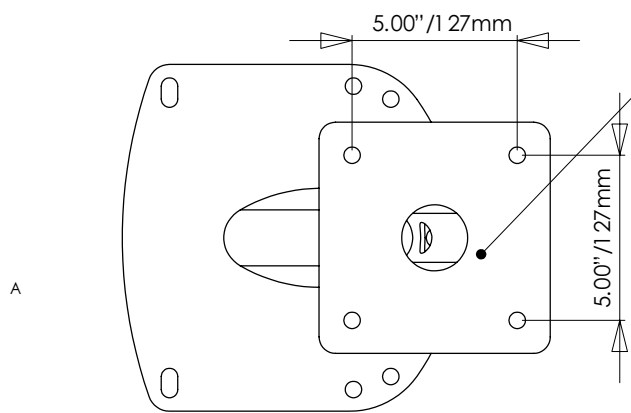


8 7 6 5 4 3 2 1

ITEM NO.	PART NUMBER	DESCRIPTION	QTY.
1	PM7 Base Plate 2.1	1 /4"/6.35mm Base Plate	1
2	PM Radar Plate 1.1	1 /4"/6.35mm top plate	1
3	PM Extrusion 3.2	10"/254mm FWD Extr.	1



SVIB



1 Base Plate = 7"x7" / 177.8mm x 177.8mm

PROPRIETARY AND CONFIDENTIAL
 THE INFORMATION CONTAINED IN THIS DRAWING IS THE SOLE PROPERTY OF PYI, INC. ANY REPRODUCTION IN PART OR AS A WHOLE WITHOUT THE WRITTEN PERMISSION OF PYI, INC. IS PROHIBITED.

UNLESS OTHERWISE SPECIFIED:		NAME	DATE
DIMENSIONS ARE IN INCHES		DRAWN	J.A. 05.20.08
TOLERANCES:		CHECKED	
FRACTIONAL ±		ENG APPR.	
ANGULAR: MACH ± BEND ±		MFG APPR.	
TWO PLACE DECIMAL ±		Q.A.	
THREE PLACE DECIMAL ±		COMMENTS:	
INTERPRET GEOMETRIC TOLERANCING PER:			
MATERIAL			
FINISH			
NEXT ASSY	USED ON		
APPLICATION			
DO NOT SCALE DRAWING			

PYI, INC.		12532 Beverly Park Rd. Lynnwood, WA 98087	
TITLE:			
FWD. PMT for 2KW and 4KW Raymarine Radomes			
SIZE	DWG. NO.	REV	
B	PMF-1 OR-7		
SCALE: 1:4		WEIGHT:	SHEET 1 OF 1

8 7 6 5 4 3 2 1