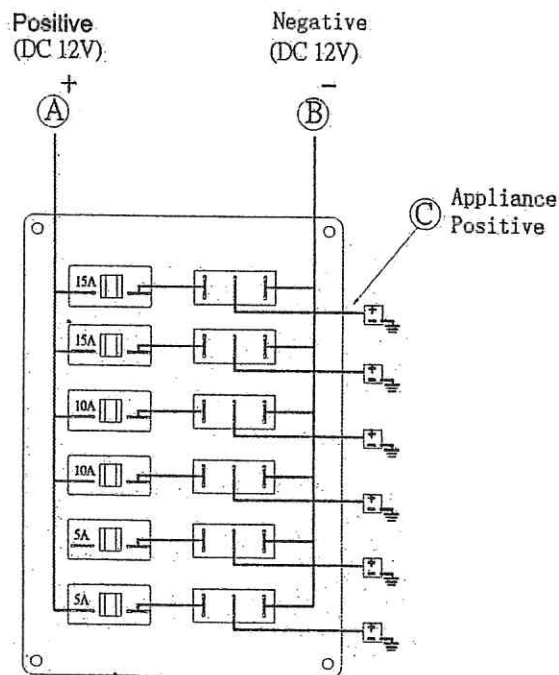


NO. 10069

CUT OUT: 5-1/4" High 3-3/4" Wide, 2-3/4" Deep

1. Locate area for mounting panel. Cut out hole as per the dimensions above. Although the panel is designed for harsh marine environment it should be protected from spray & rain.
2. Before wiring disconnect the positive (+) terminal (usually a Red cable) from the battery(s). DO NOT WIRE THIS DEVICE WHEN A BATTERY IS CONNECTED.
3. Connect a Black wire (not provided) from the negative (-) side of the battery to the short black pigtail on the bottom switch.
4. Connect all accessory ground or negative wires to the same pigtail.
5. Connect each accessory (+) lead to the pigtail on #2 terminal of the appropriate switch. Be sure all splices are electrically sound and insulated.
6. Now connect a Red wire (not supplied) from the positive side of the battery to the Red pigtail on the bottom circuit breaker.
7. Reconnect the positive (+) terminal to battery. (NOTE: If you see a spark when making this connection, check that all switches are off). If everything is off and you still see a spark when making a connection, consult a technician. This may indicate a cause for a dead battery. WARNING: DO NOT USE A FUSE RATED OVER 15 AMPS! DO NOT ATTACH ANY WIRES TO THE REMAINING TERMINAL ON THE FUSE HOLDER!



Back Of Panel.

10069