



# Retractable Tri™ Flush-Beveled Edge

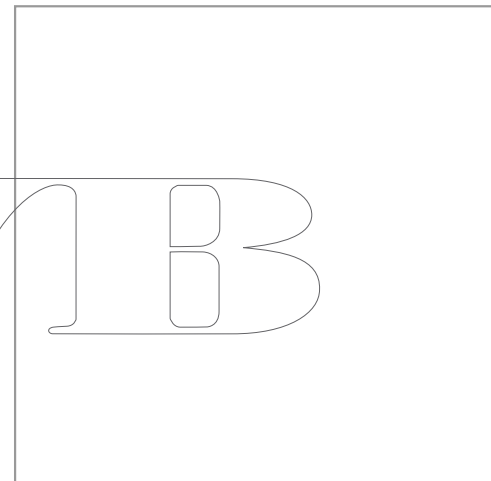
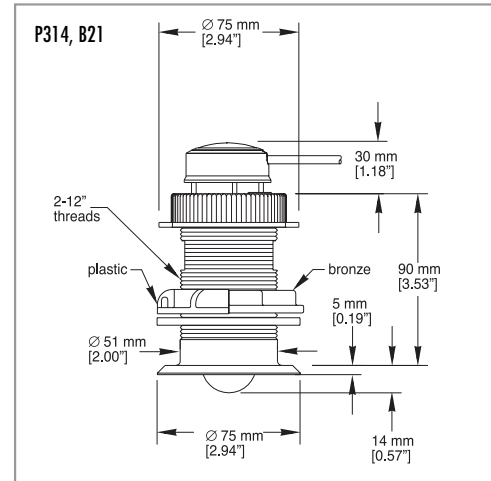
## DST800 Series

### Applications:

- Racing sailboats
- High deadrise hulls
- High speed powerboats

### Notes:

- Available as molded plastic P314 model or robust bronze B21 model
- Right angle cable exit reduces required headroom and protects cable from damage
- Housings are ABYC H-27 compliant
- Included rubber washer (part # 09-452) allows tightening of the hull nut to irregular hull surfaces
- Depth, speed, temperature insert easily fits into any existing 51 mm (2") Airmar flange housing



### Options:



- Available as Smart™ Sensor with embedded signal processing in NMEA 0183, NMEA 2000 or custom CAN protocols

### Parts & Accessories:



Hull Nuts:  
P314- 04-004  
B21- 02-030



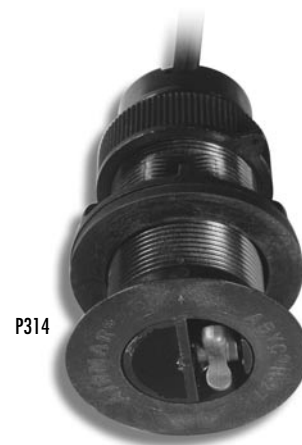
Housing & Nut:  
P314- 33-092-01  
B21- 33-224-01



Paddlewheel Kit:  
33-398-04



Blanking Plug:  
33-486-01



P314

