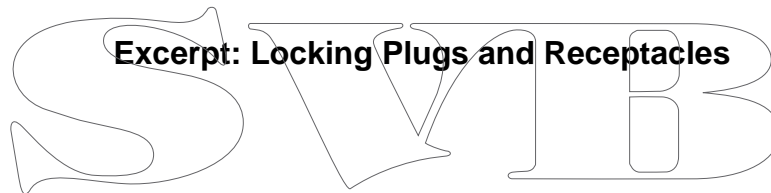




Approved as an American National Standard
ANSI Approval Date: August 20, 2008

NEMA Standards Publication ANSI/NEMA WD 6-2002 (R2008)

Wiring Devices—Dimensional Specifications



Published by

National Electrical Manufacturers Association

1300 North 17th Street
Suite 1752
Rosslyn, Virginia 22209



www.nema.org

EXCERPT
© Copyright 2008 by the National Electrical Manufacturers Association. All rights including translation into other languages, reserved under the Universal Copyright Convention, the Berne Convention for the Protection of Literary and Artistic Works, and the International and Pan American Copyright Conventions.

NOTICE AND DISCLAIMER

The information in this publication was considered technically sound by the consensus of persons engaged in the development and approval of the document at the time it was developed. Consensus does not necessarily mean that there is unanimous agreement among every person participating in the development of this document.

The National Electrical Manufacturers Association (NEMA) standards and guideline publications, of which the document contained herein is one, are developed through a voluntary consensus standards development process. This process brings together volunteers and/or seeks out the views of persons who have an interest in the topic covered by this publication. While NEMA administers the process and establishes rules to promote fairness in the development of consensus, it does not write the document and it does not independently test, evaluate, or verify the accuracy or completeness of any information or the soundness of any judgments contained in its standards and guideline publications.

NEMA disclaims liability for any personal injury, property, or other damages of any nature whatsoever, whether special, indirect, consequential, or compensatory, directly or indirectly resulting from the publication, use of, application, or reliance on this document. NEMA disclaims and makes no guaranty or warranty, expressed or implied, as to the accuracy or completeness of any information published herein, and disclaims and makes no warranty that the information in this document will fulfill any of your particular purposes or needs. NEMA does not undertake to guarantee the performance of any individual manufacturer or seller's products or services by virtue of this standard or guide.

In publishing and making this document available, NEMA is not undertaking to render professional or other services for or on behalf of any person or entity, nor is NEMA undertaking to perform any duty owed by any person or entity to someone else. Anyone using this document should rely on his or her own independent judgment or, as appropriate, seek the advice of a competent professional in determining the exercise of reasonable care in any given circumstances. Information and other standards on the topic covered by this publication may be available from other sources, which the user may wish to consult for additional views or information not covered by this publication.

NEMA has no power, nor does it undertake to police or enforce compliance with the contents of this document. NEMA does not certify, test, or inspect products, designs, or installations for safety or health purposes. Any certification or other statement of compliance with any health or safety-related information in this document shall not be attributable to NEMA and is solely the responsibility of the certifier or maker of the statement.



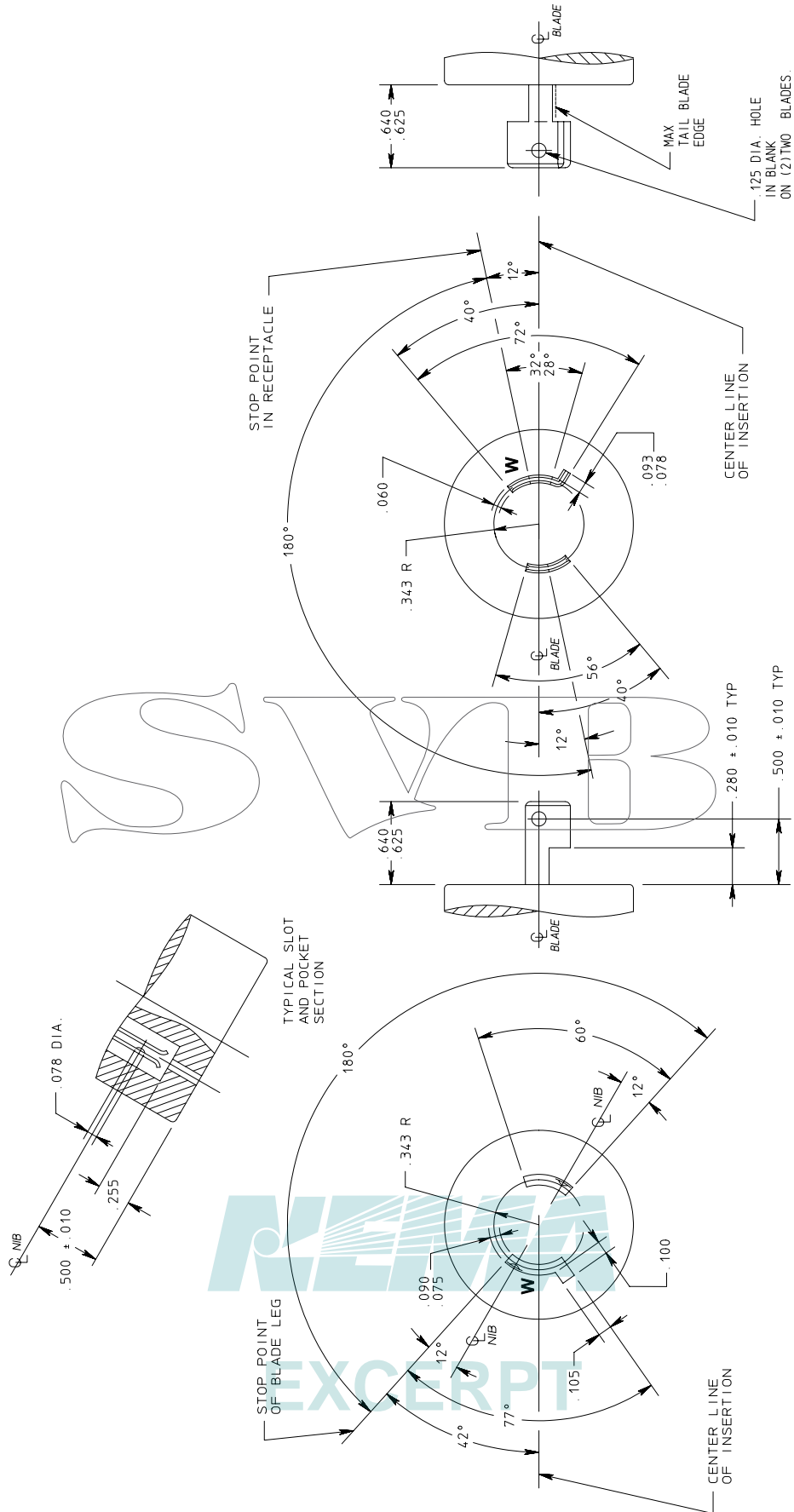
EXCERPT

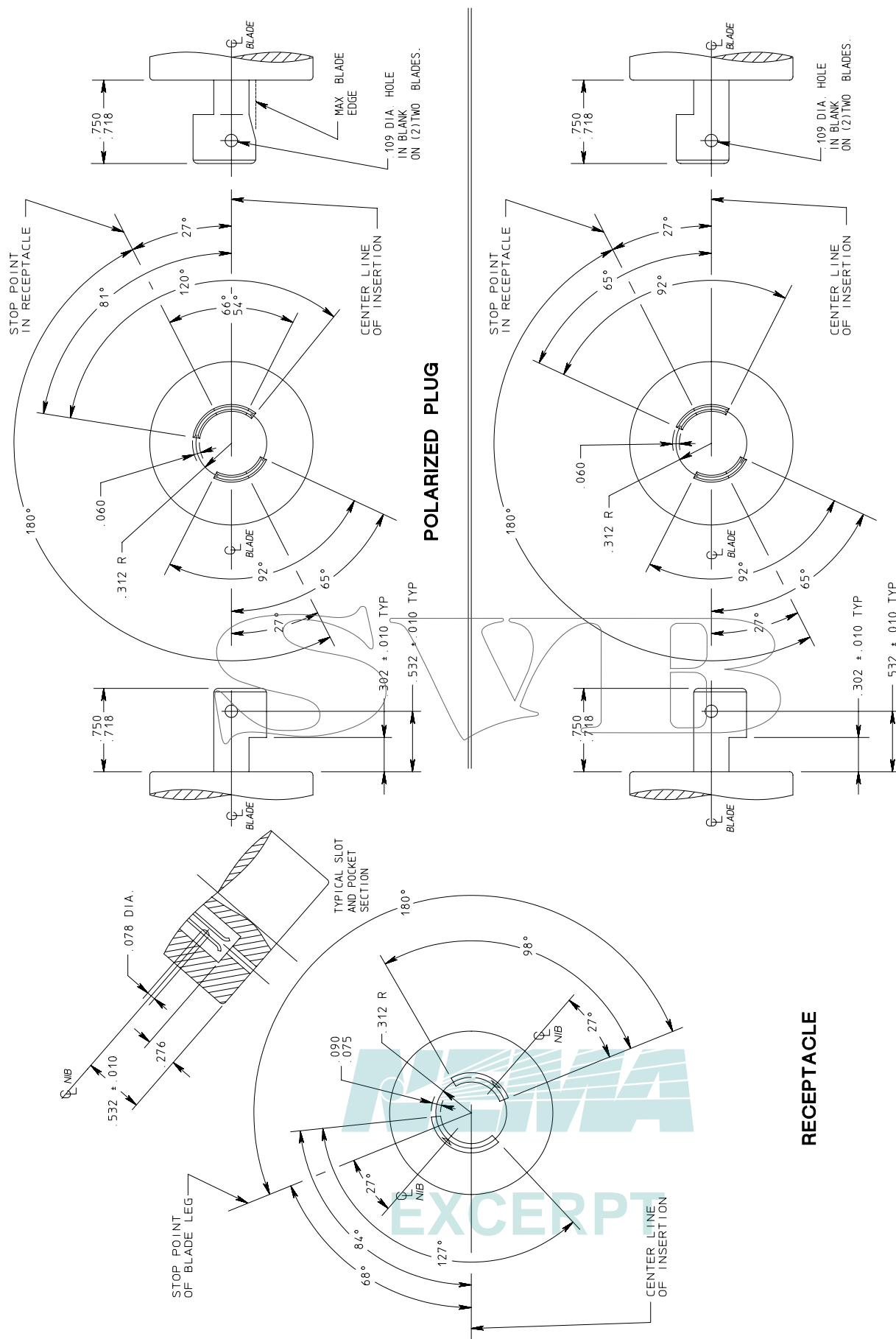
NEMA CONFIGURATIONS FOR LOCKING PLUGS AND RECEPTACLES

DESCRIPTION	NEMA NUMBER	15 AMPERE		20 AMPERE		30 AMPERE		50 AMPERE		60 AMPERE		
		RECEPTACLE	PLUG	RECEPTACLE	PLUG	RECEPTACLE	PLUG	RECEPTACLE	PLUG	RECEPTACLE	PLUG	
2-POLE 2-WIRE	125V	1										
	250V	2										
	277V AC	3										
	600V	4										
2-POLE 3-WIRE GROUNDING	125V	5										
	250V	6										
	277V AC	7										
	347V AC	24										
	480V AC	8										
	600V AC	9										
3-POLE 3-WIRE	125 / 250V	10										
	3 Ø 250V	11										
	3 Ø 480V	12										
	3 Ø 600V	13										
3-POLE 4-WIRE GROUNDING	125 / 250V	14										
	3 Ø 250V	15										
	3 Ø 480V	16										
	3 Ø 600V	17										
4-POLE 4-WIRE	3 Ø Y 120 / 208V	18										
	3 Ø Y 277 / 480V	19										
	3 Ø Y 347 / 600V	20										
4-POLE 5-WIRE GROUNDING	3 Ø Y 120 / 208V	21										
	3 Ø Y 277 / 480V	22										
	3 Ø Y 347 / 600V	23										

NOTE: BLANK SPACES RESERVED FOR FUTURE CONFIGURATIONS

FIGURE L1-15
LOCKING TYPE PLUG AND RECEPTACLE
125 volts, 15 amperes, 2 pole, 2 wire





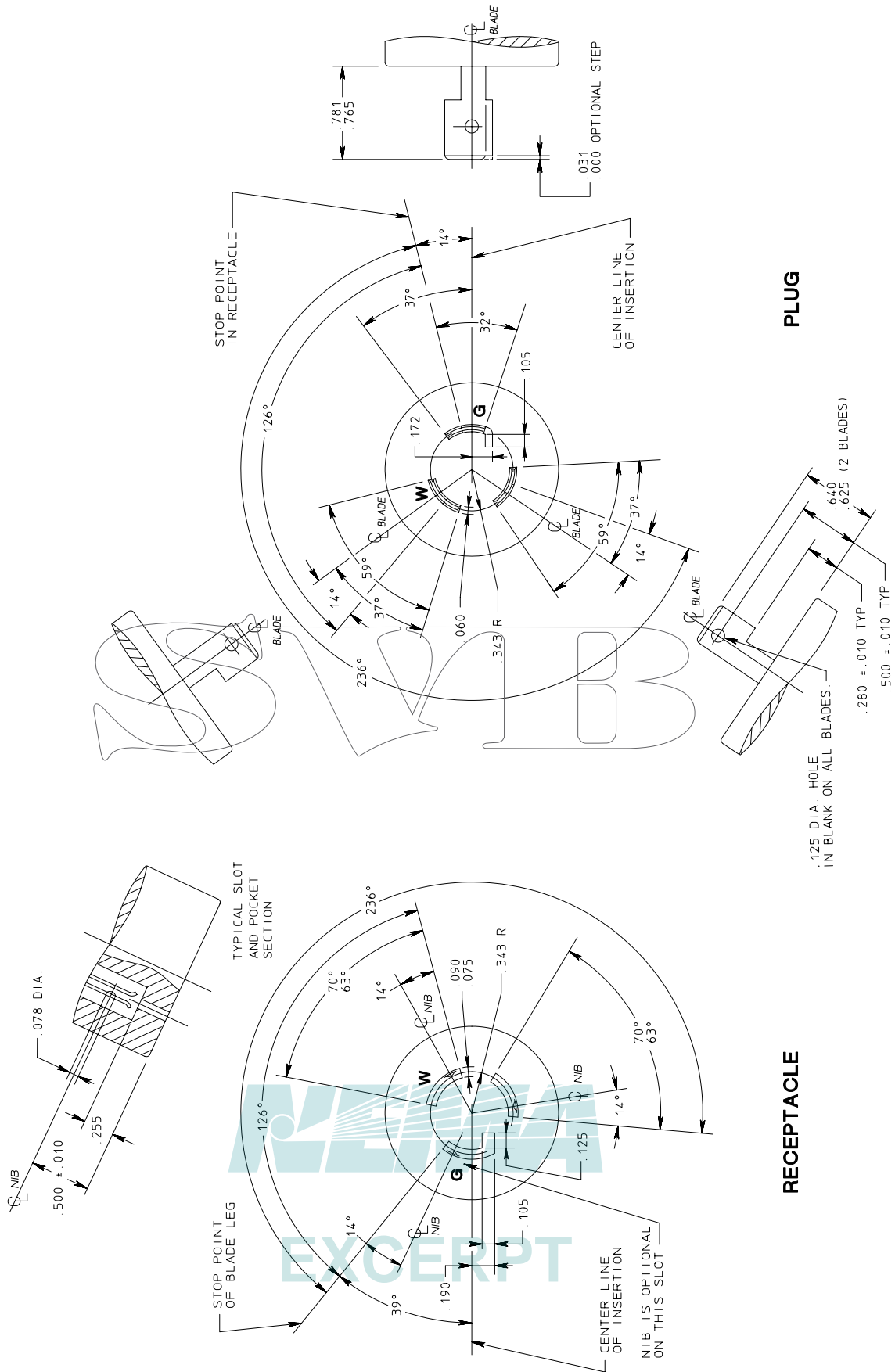
POLARIZED PLUG

NON-POLARIZED PLUG

RECEPTACLE

FIGURE L2-20
LOCKING TYPE PLUG AND RECEPTACLE
250 volts, 20 amperes, 2 pole, 2 wire

FIGURE L5-15
LOCKING TYPE PLUG AND RECEPTACLE
125 volts, 15 amperes, 2 pole, 3 wire, Grounding type



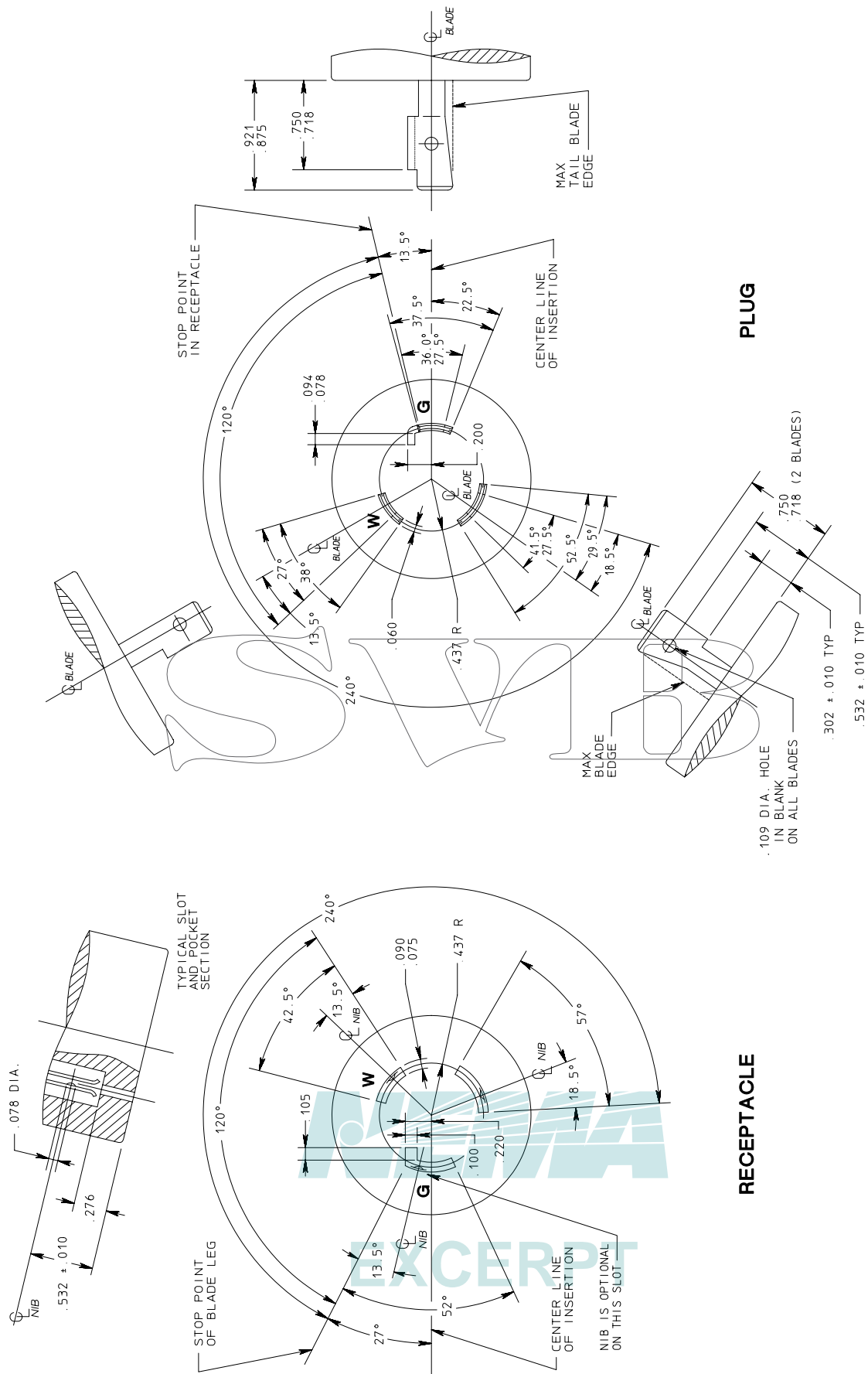


FIGURE L5-20
LOCKING TYPE PLUG AND RECEPTACLE
125 volts, 20 amperes, 2 pole, 3 wire, Grounding type

FIGURE L5-30
LOCKING TYPE PLUG AND RECEPTACLE
125 volts, 30 amperes, 2 pole, 3 wire, Grounding type

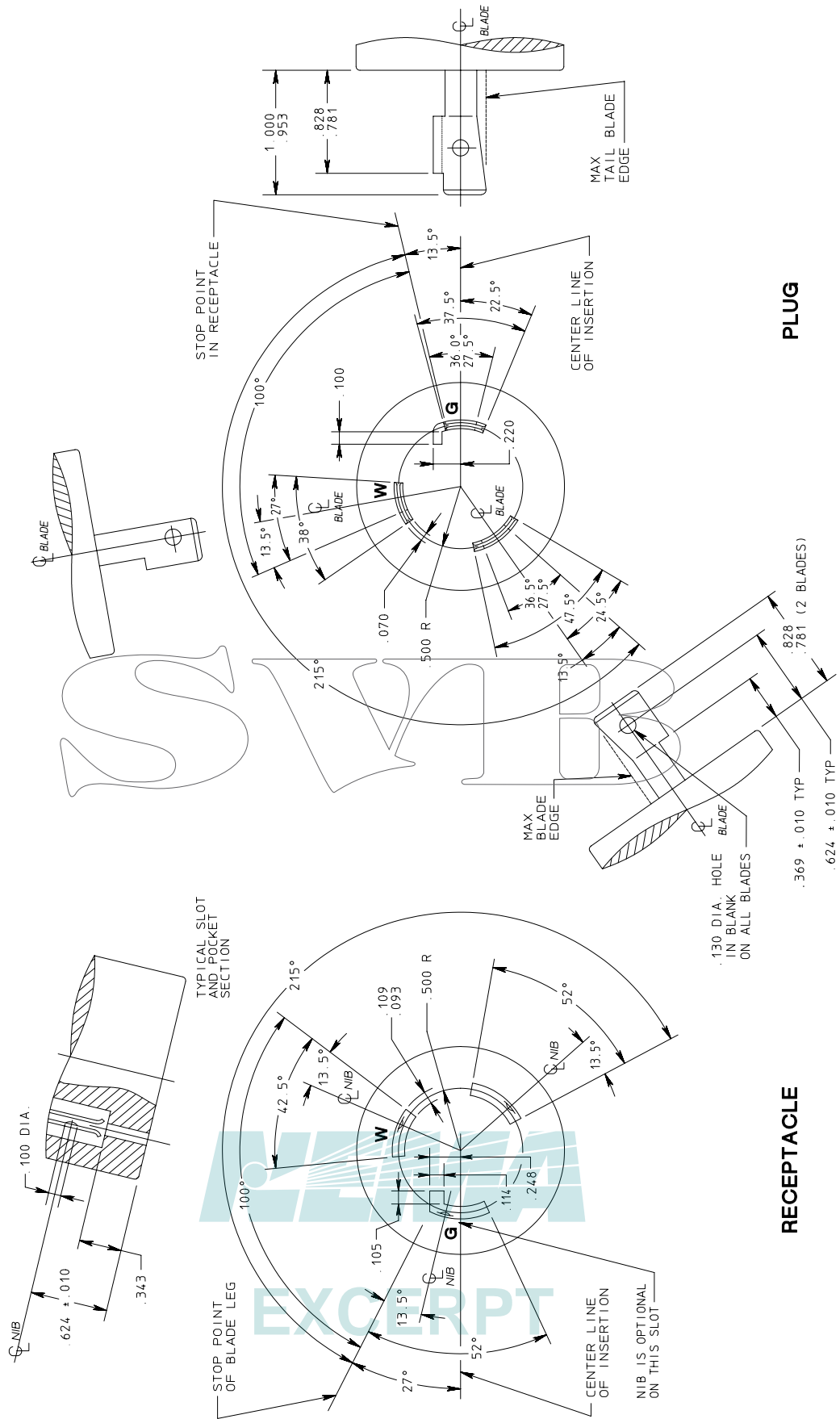
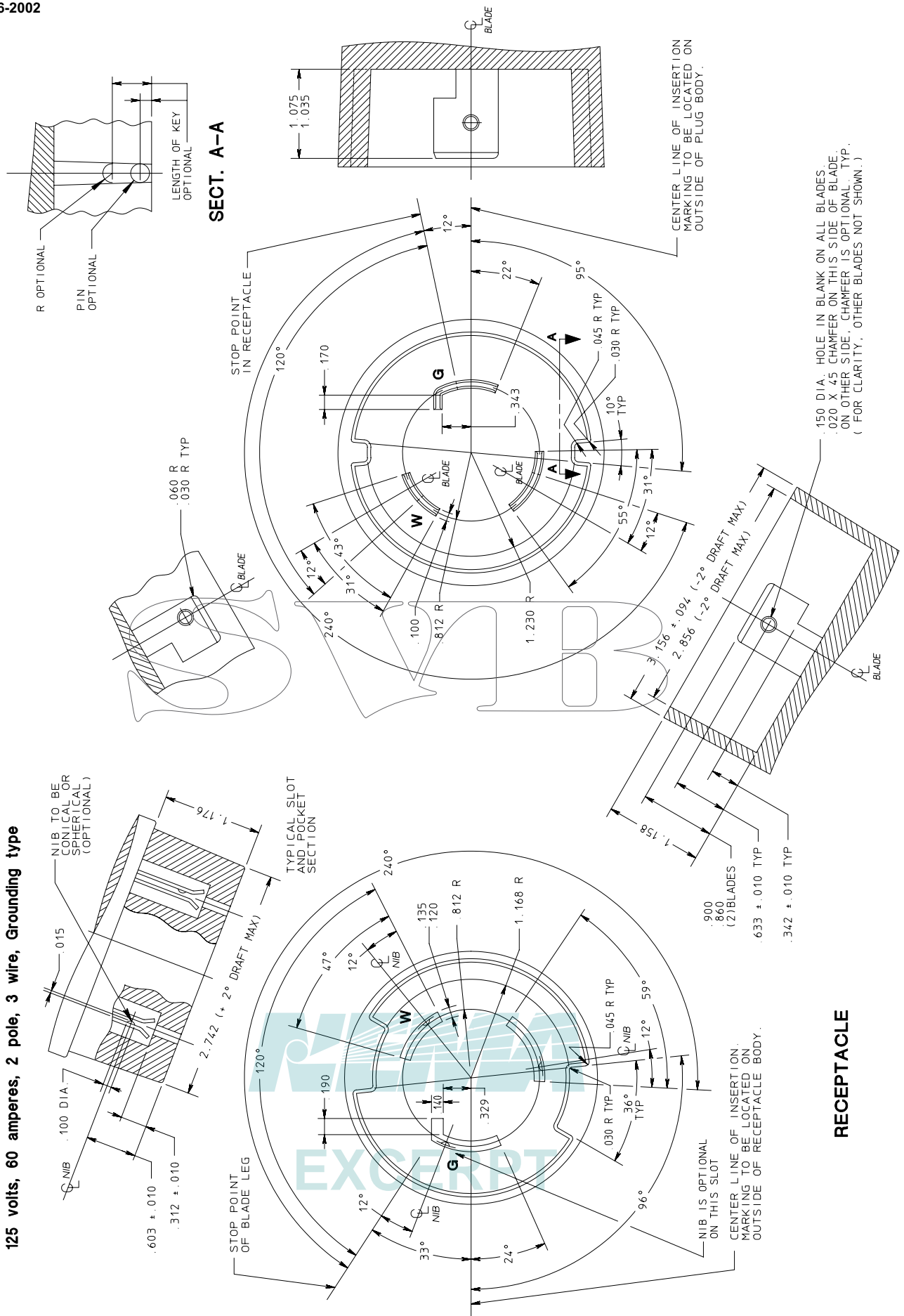


FIGURE L5-60
LOCKING TYPE PLUG AND RECEPTACLE
125 volts, 60 amperes, 2 pole, 3 wire, Grounding type



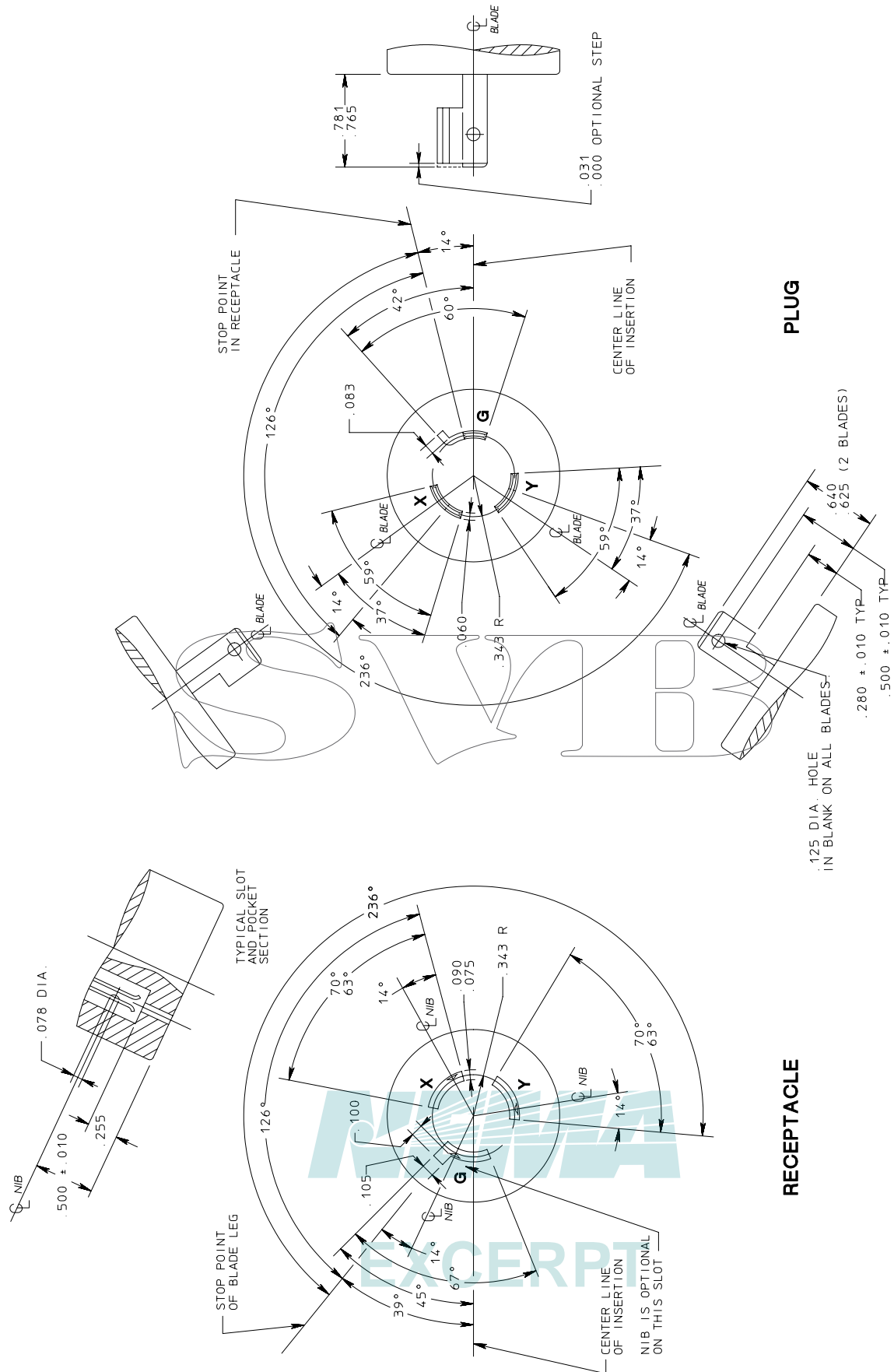
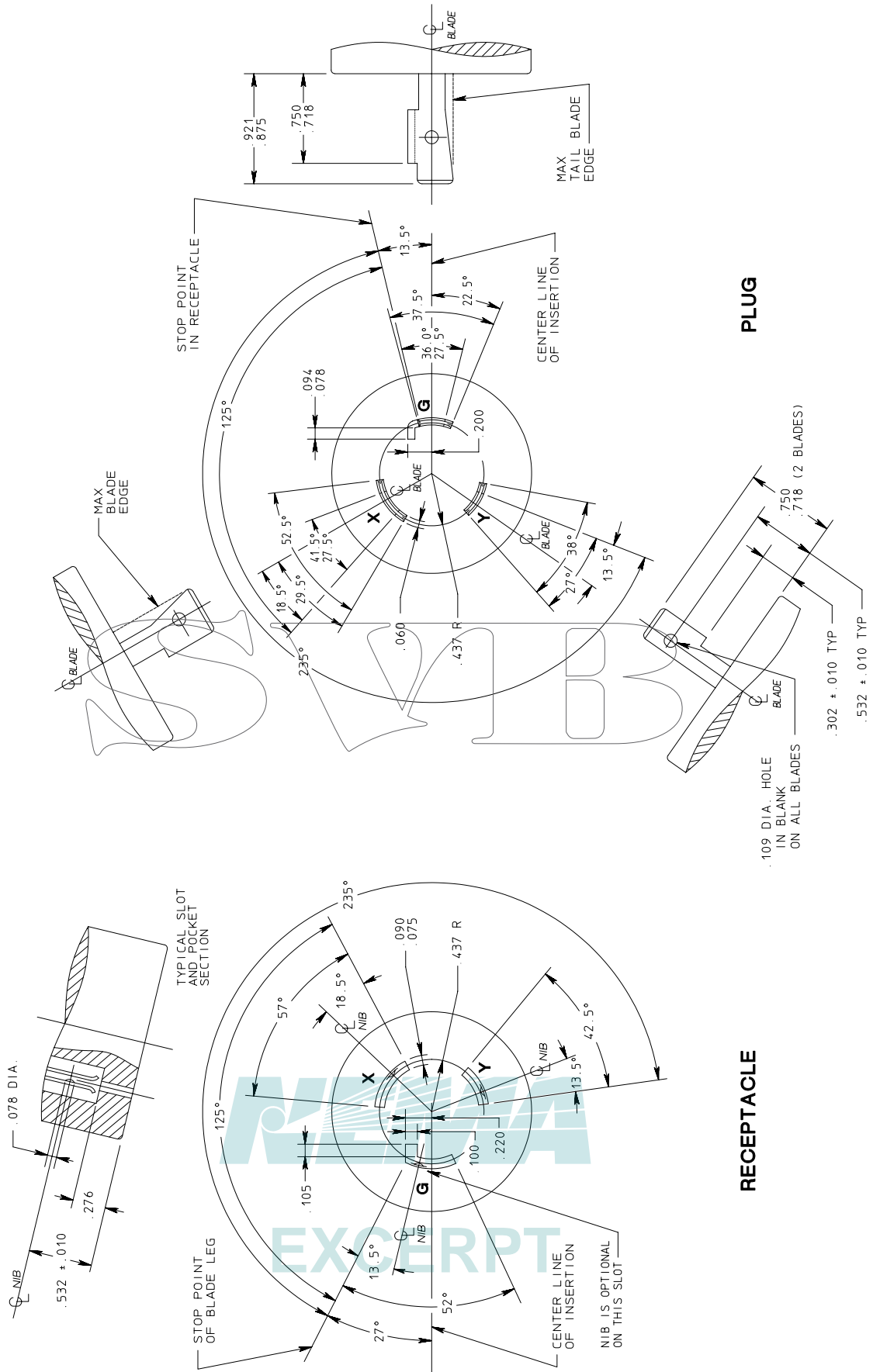
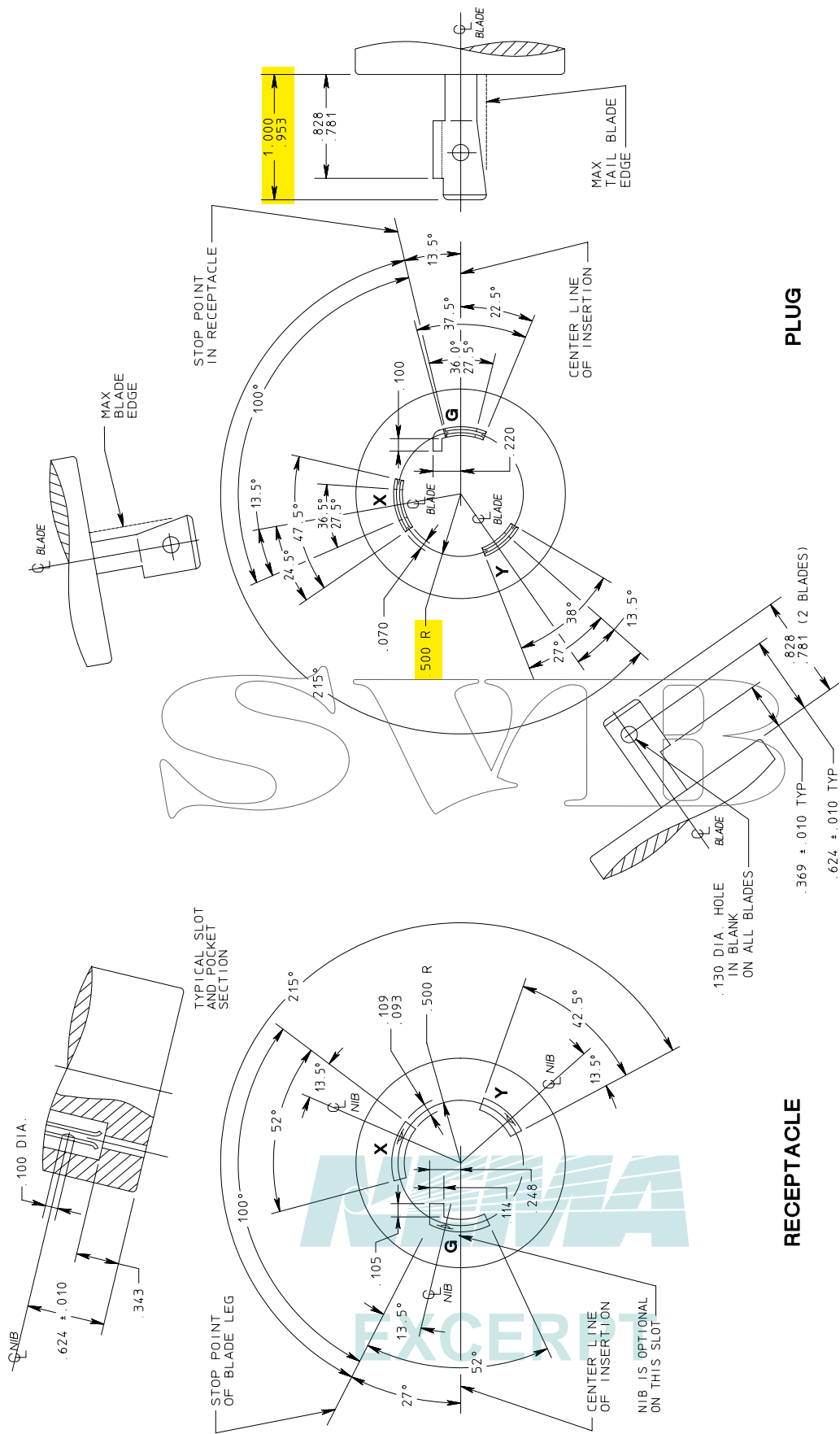


FIGURE L6-15
LOCKING TYPE PLUG AND RECEPTACLE
250 volts, 15 amperes, 2 pole, 3 wire, Grounding type

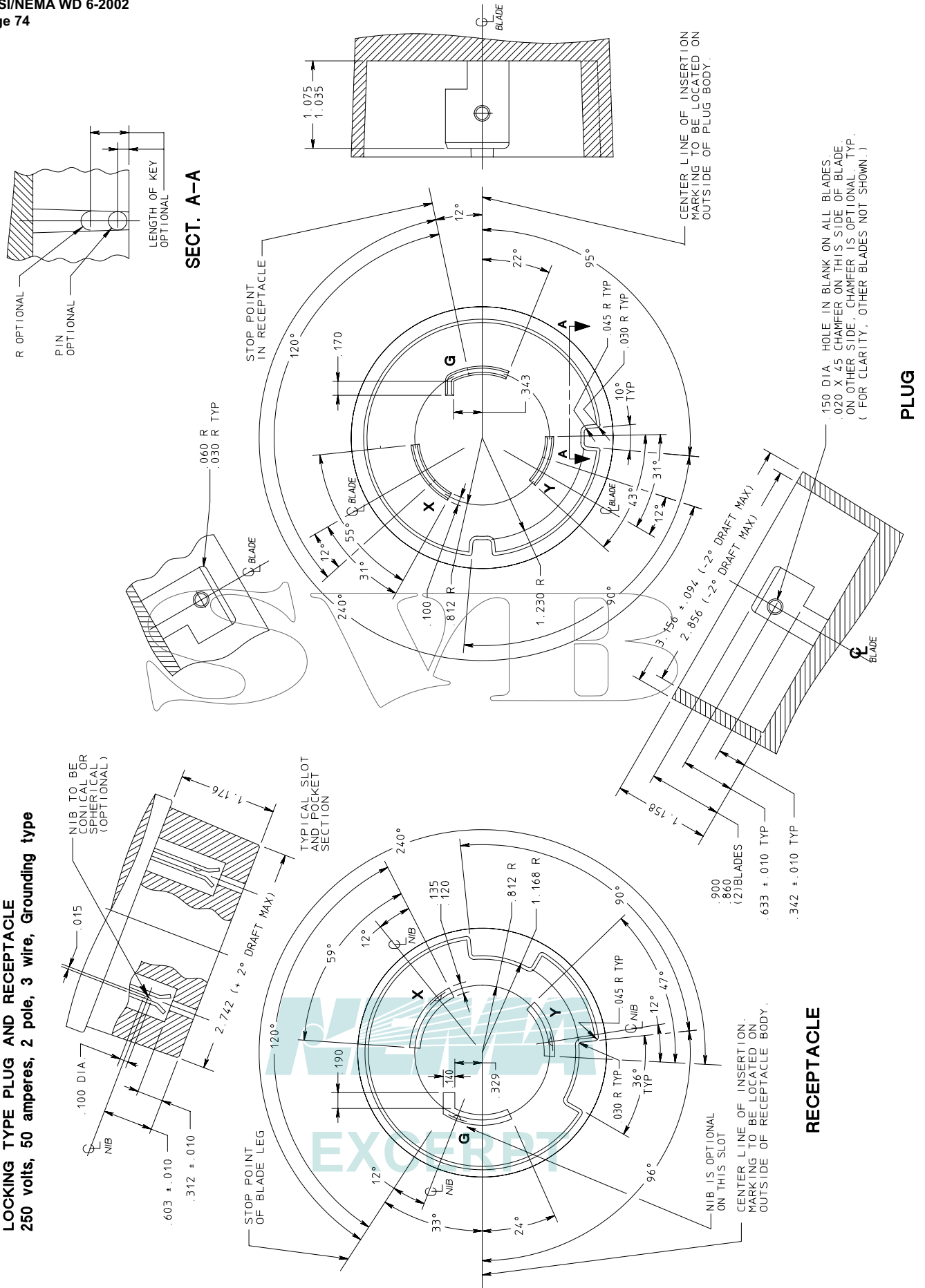
FIGURE L6-20
LOCKING TYPE PLUG AND RECEPTACLE
250 volts, 20 amperes, 2 pole, 3 wire, Grounding type





**FIGURE L6-30
LOCKING TYPE PLUG AND RECEPTACLE
250 volts, 30 amperes, 2 pole, 3 wire, Grounding type**

FIGURE L6-50
LOCKING TYPE PLUG AND RECEPTACLE
250 volts, 50 amperes, 2 pole, 3 wire, Grounding type



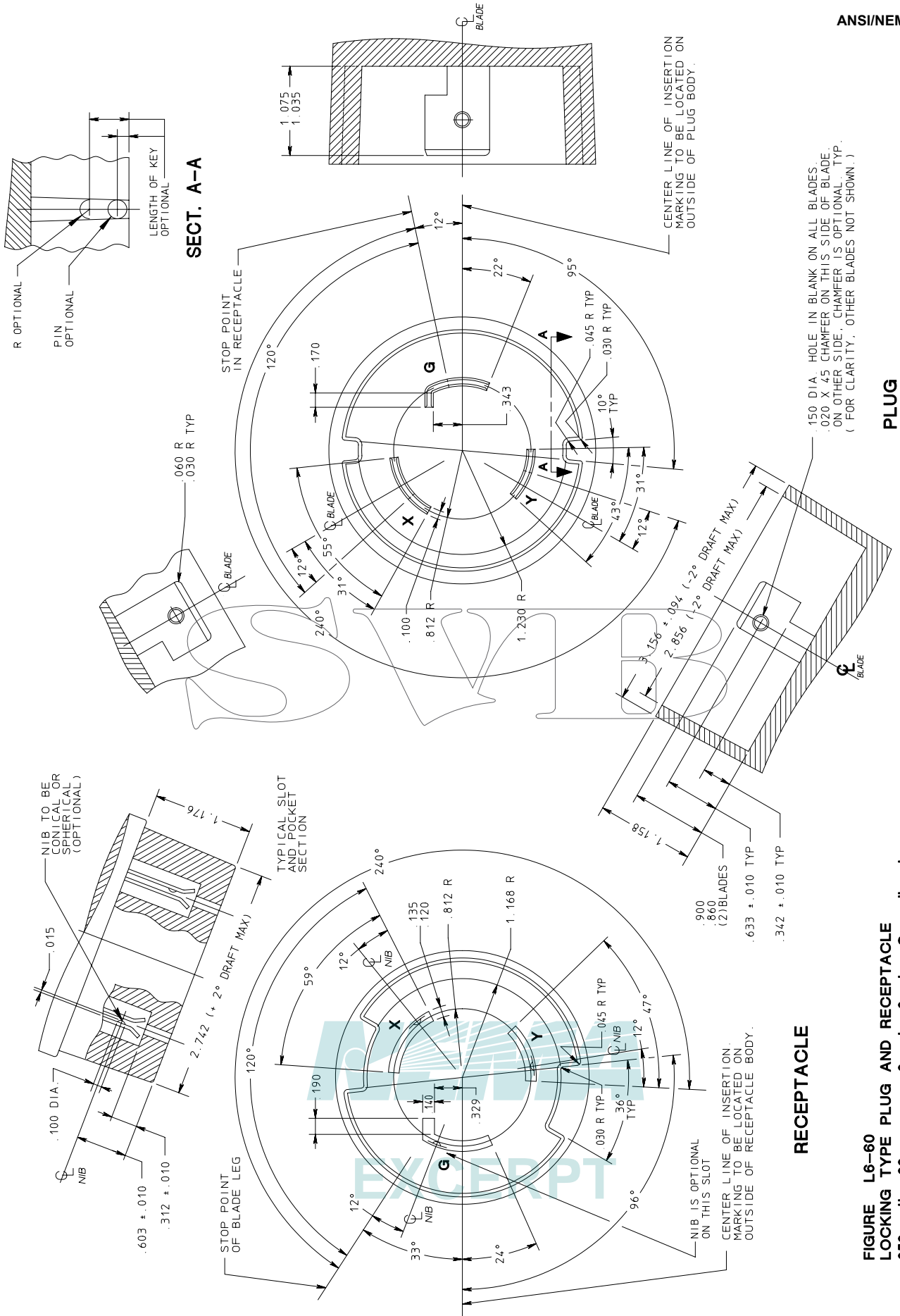
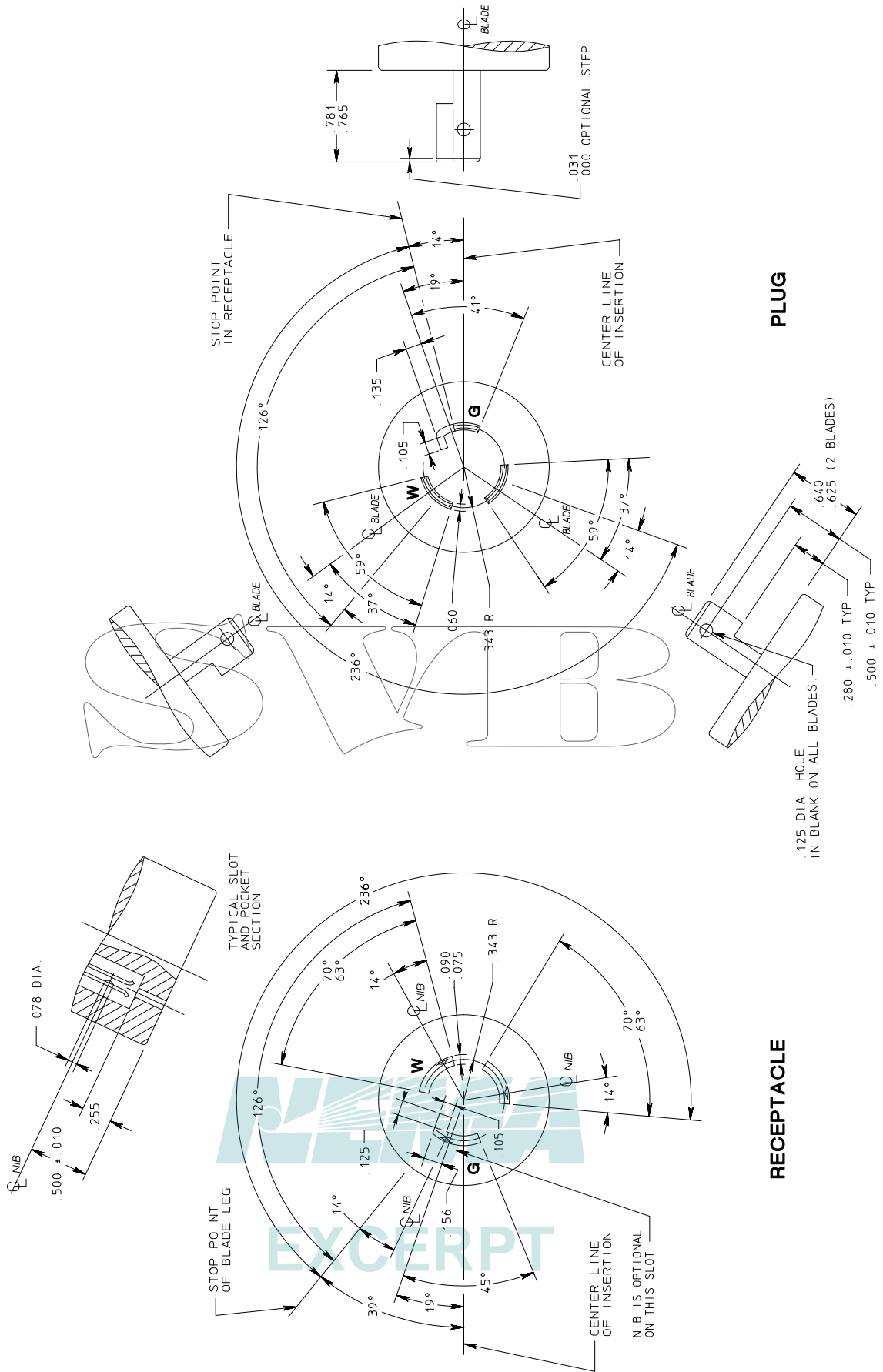


FIGURE L6-60
LOCKING TYPE PLUG AND RECEPTACLE
250 volts, 60 amperes, 2 pole, 3 wire, Grounding type

FIGURE L7-15
LOCKING TYPE PLUG AND RECEPTACLE
277 volts AC, 15 amperes, 2 pole, 3 wire, Grounding type



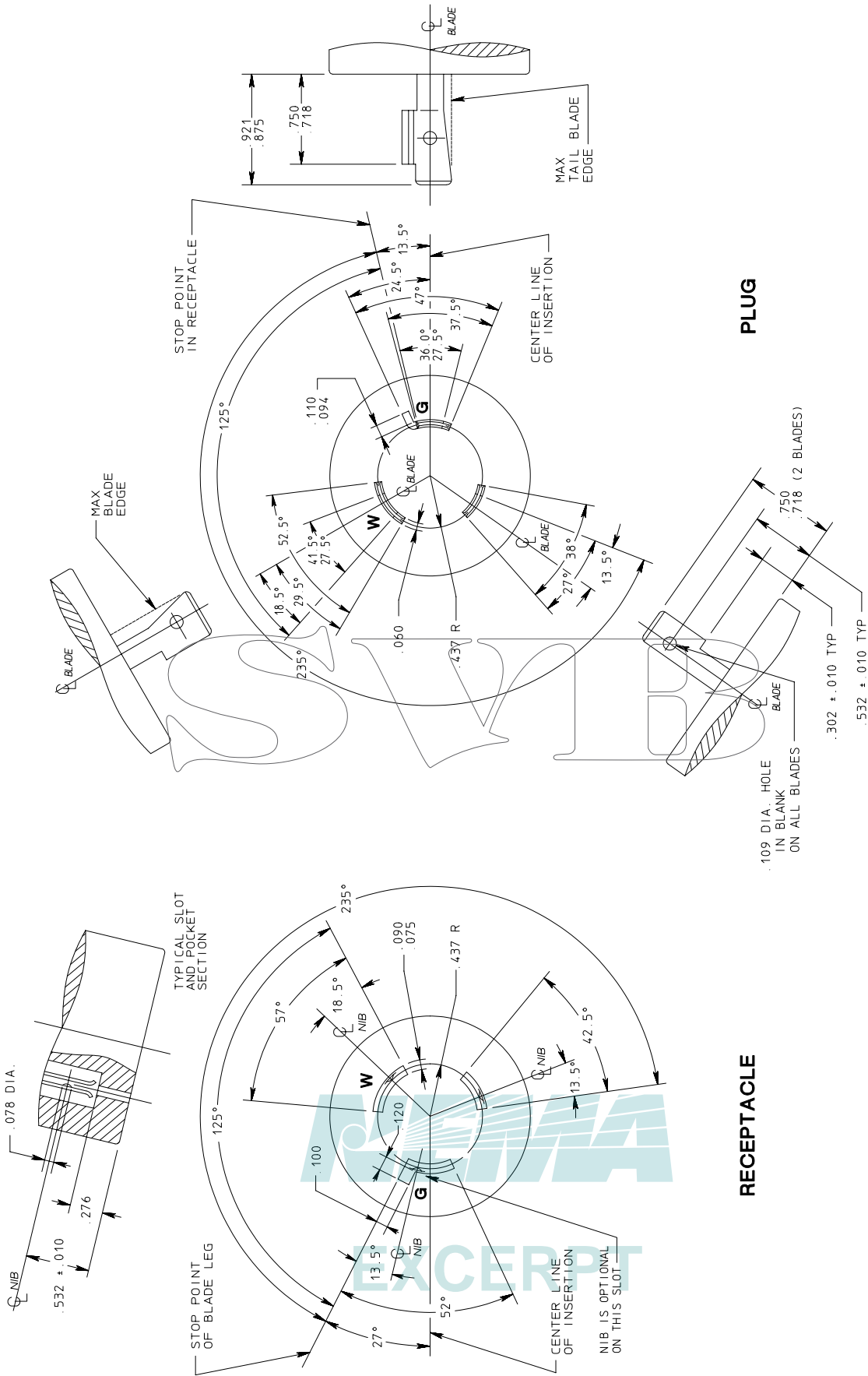
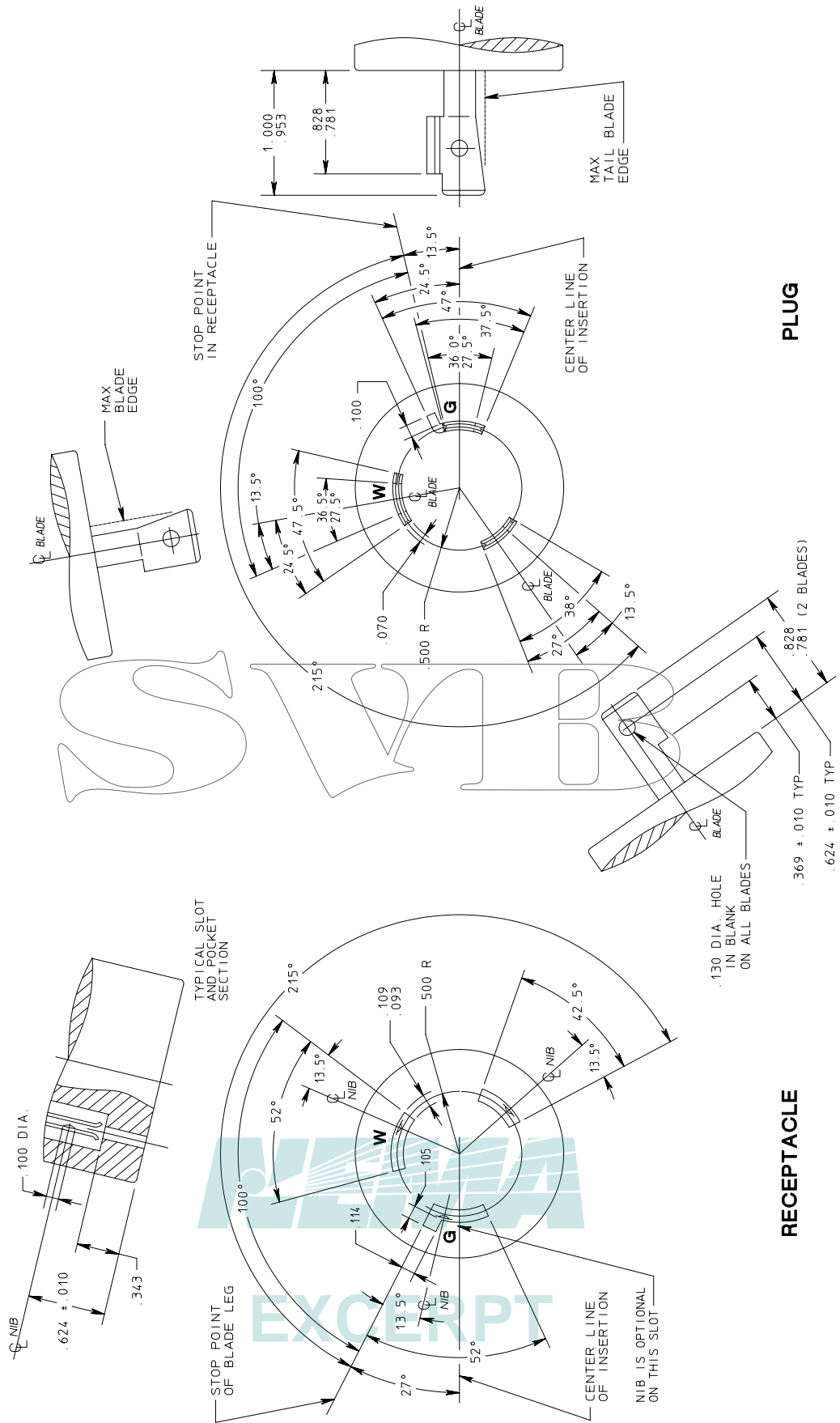


FIGURE L7-20
LOCKING TYPE PLUG AND RECEPTACLE
277 volts AC, 20 amperes, 2 pole, 3 wire, Grounding type

FIGURE L7-30
LOCKING TYPE PLUG AND RECEPTACLE
277 volts AC, 30 amperes, 2 pole, 3 wire, Grounding type



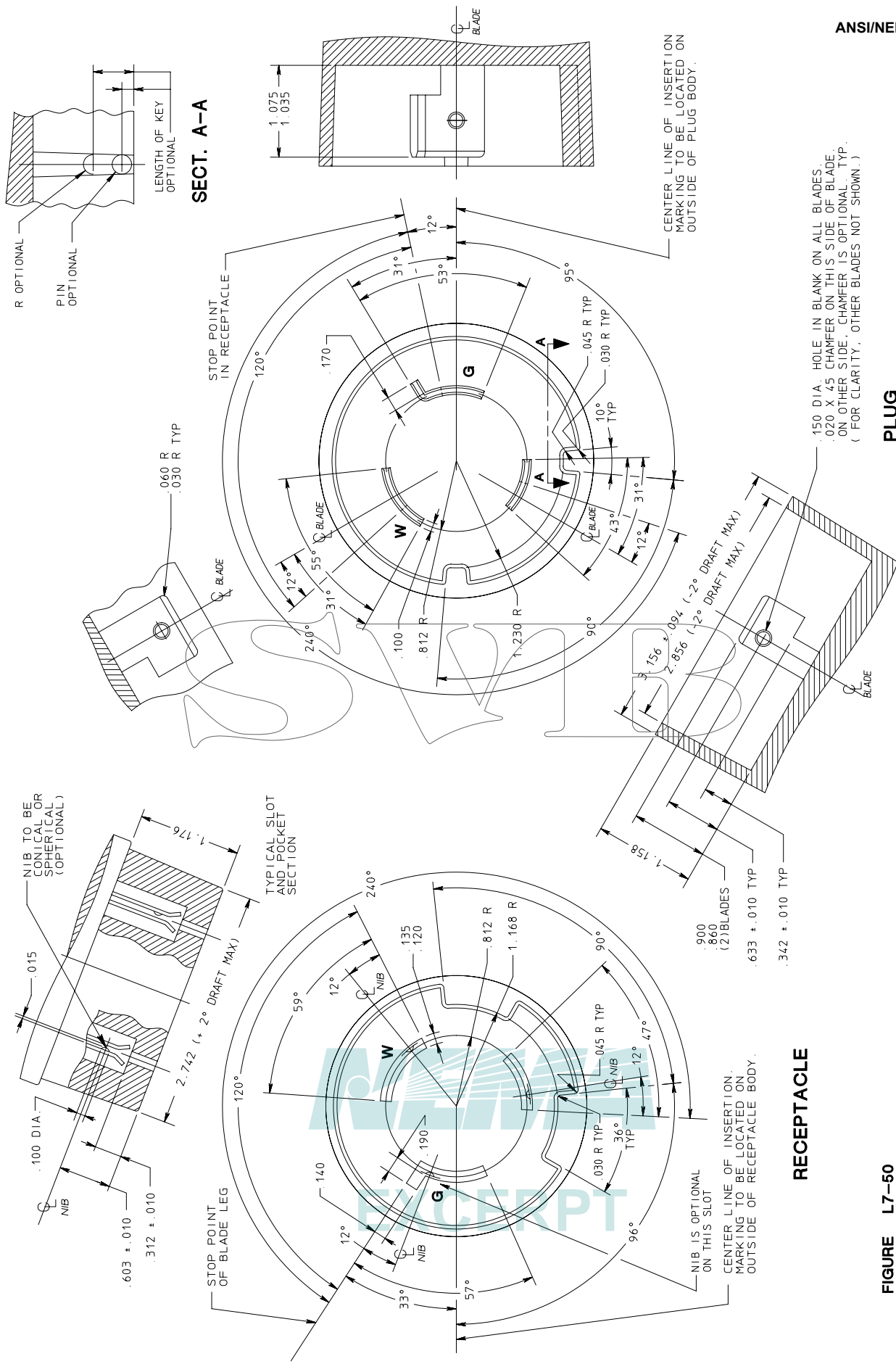
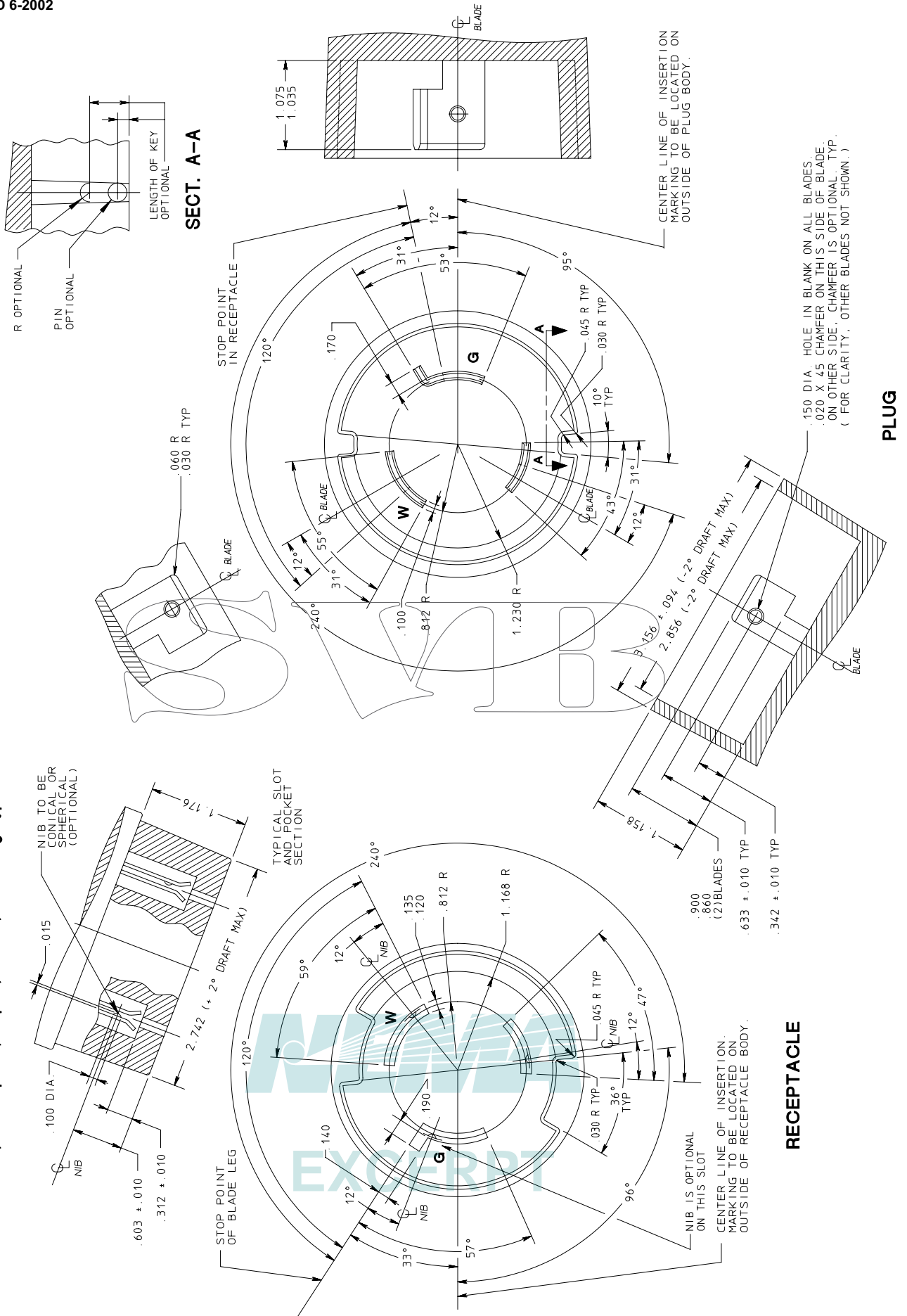


FIGURE L7-50
LOCKING TYPE PLUG AND RECEPTACLE
277 volts AC, 50 amperes, 2 pole, 3 wire, Grounding type

FIGURE L7-60
LOCKING TYPE PLUG AND RECEPTACLE
277 volts AC, 60 amperes, 2 pole, 3 wire, Grounding type



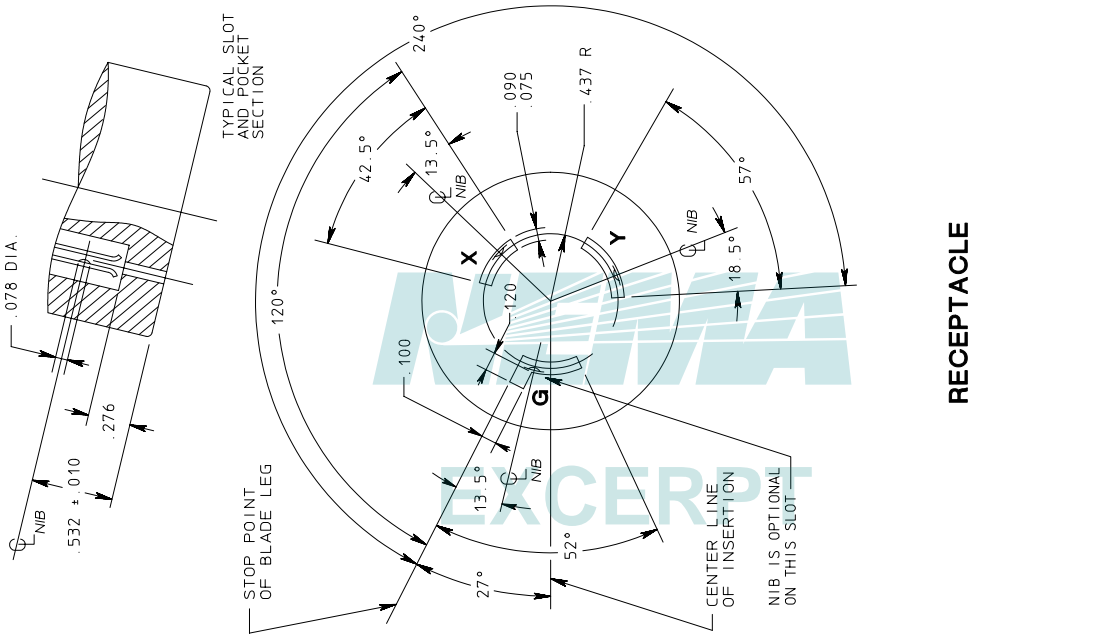
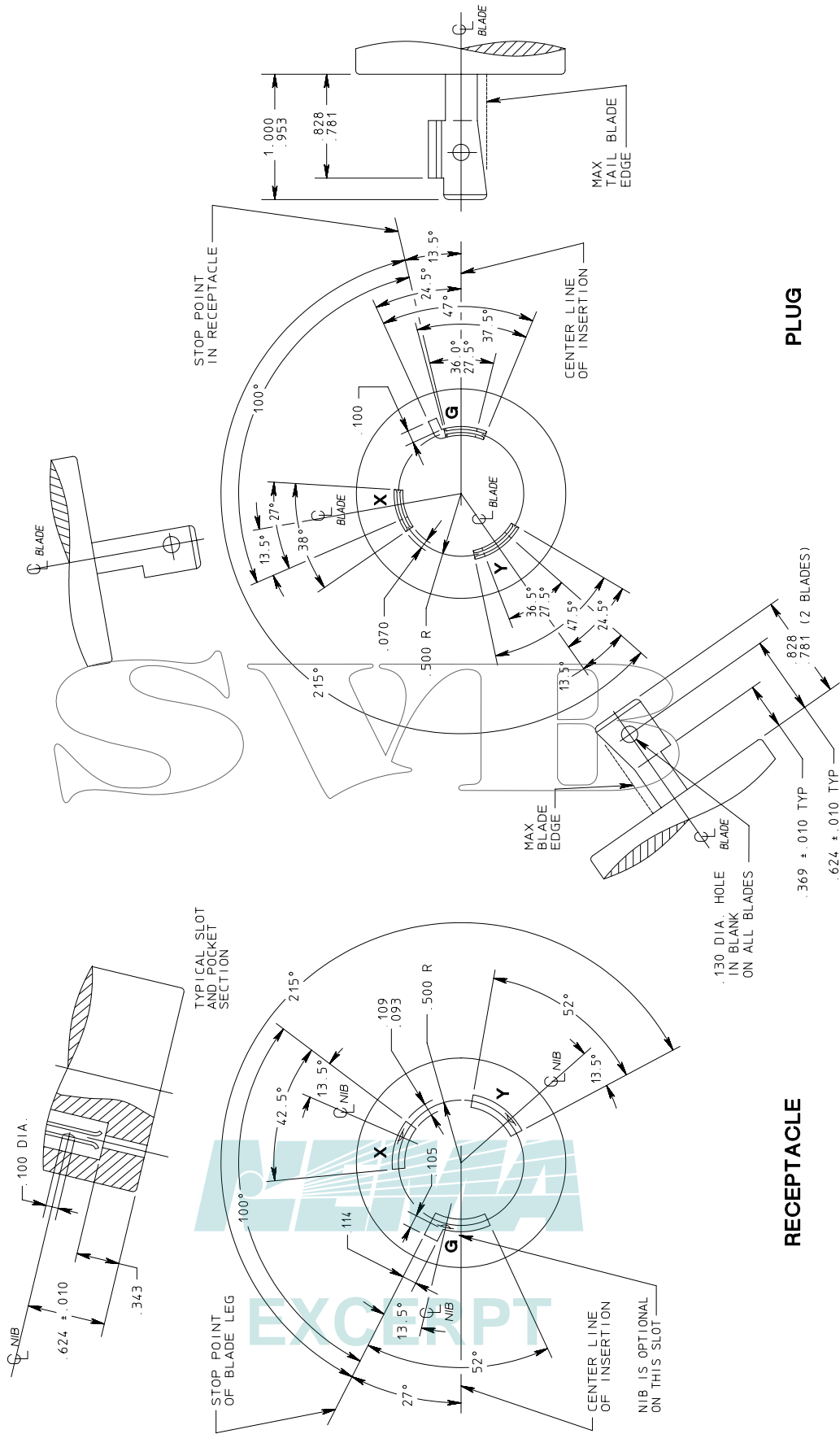


FIGURE L8-20
LOCKING TYPE PLUG AND RECEPTACLE
480 volts AC, 20 amperes, 2 pole, 3 wire, Grounding type

FIGURE L8-30
LOCKING TYPE PLUG AND RECEPTACLE
480 volts AC, 30 amperes, 2 pole, 3 wire, Grounding type



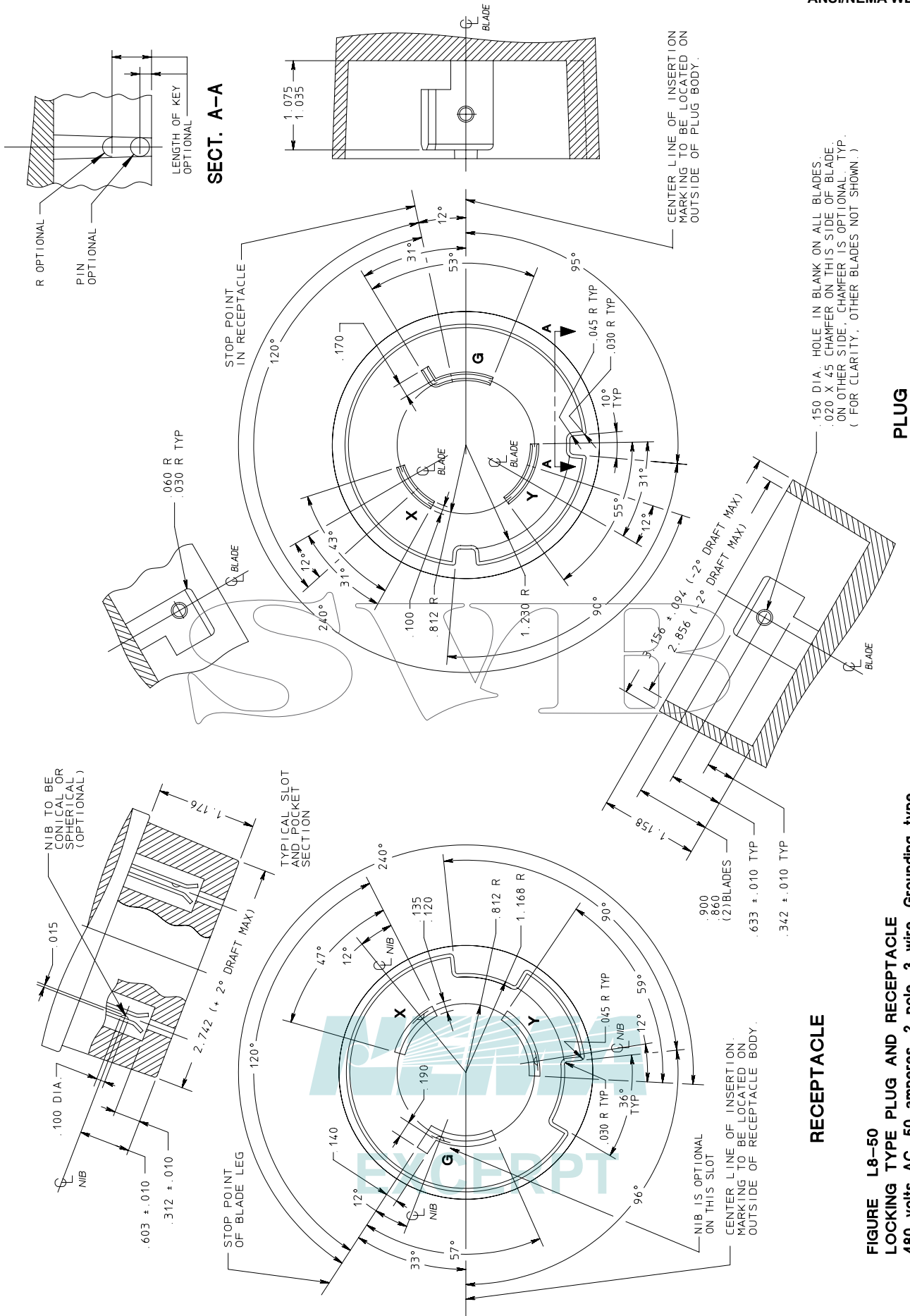
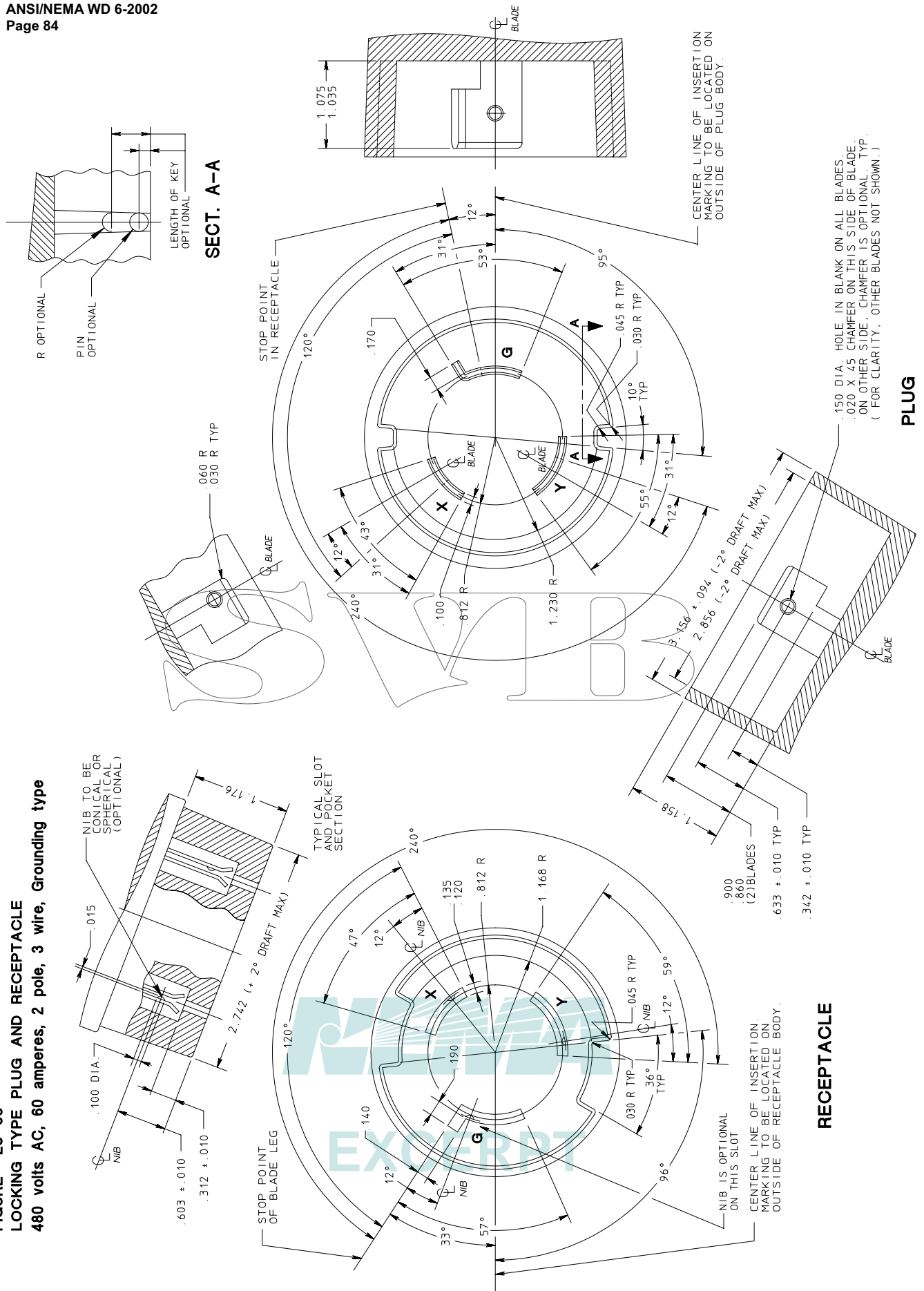


FIGURE L8-50
LOCKING TYPE PLUG AND RECEPTACLE
480 volts AC, 50 amperes, 2 pole, 3 wire, Grounding type

FIGURE L8-60
LOCKING TYPE PLUG AND RECEPTACLE
480 volts AC, 60 amperes, 2 pole, 3 wire, Grounding type



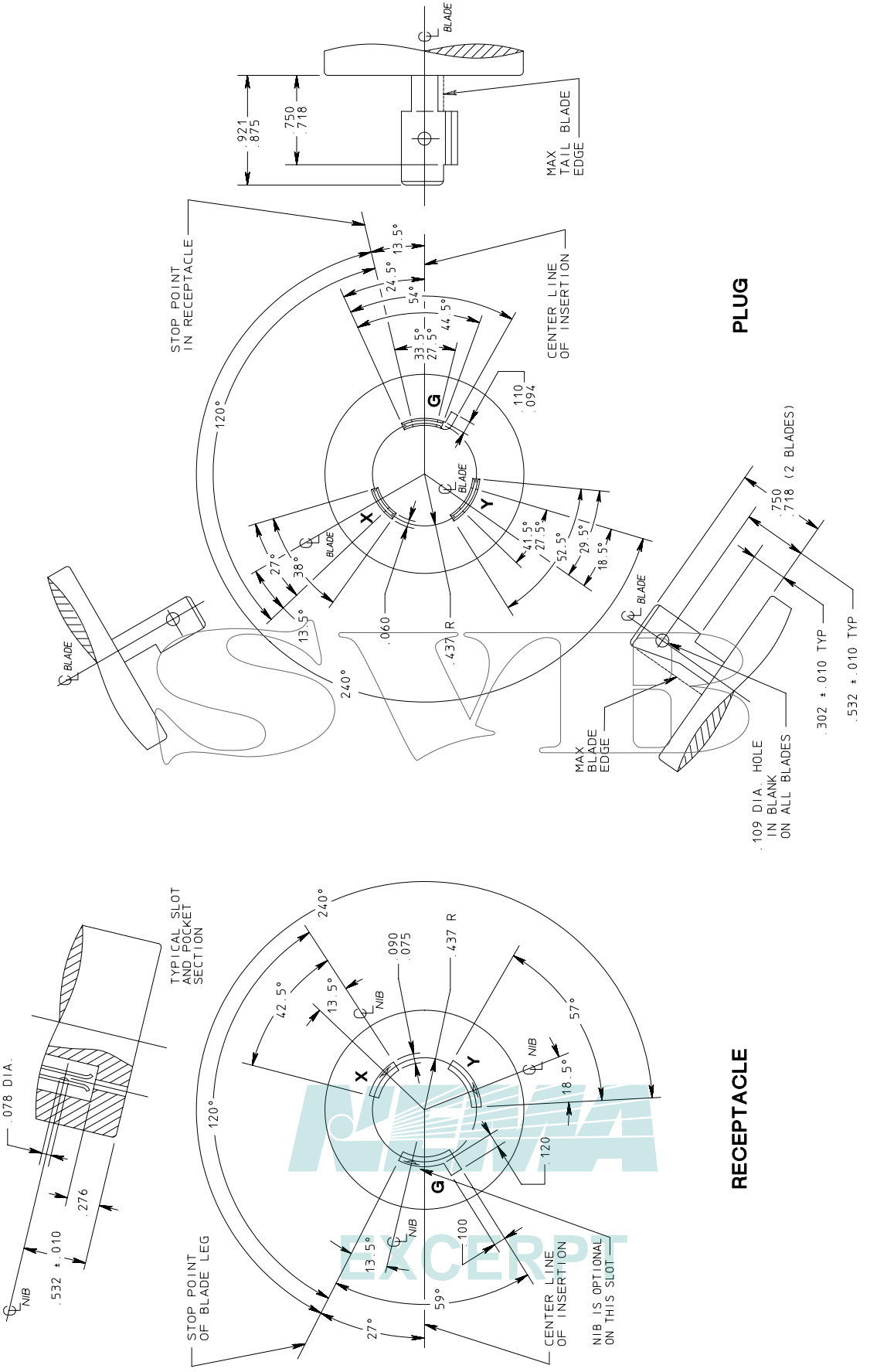
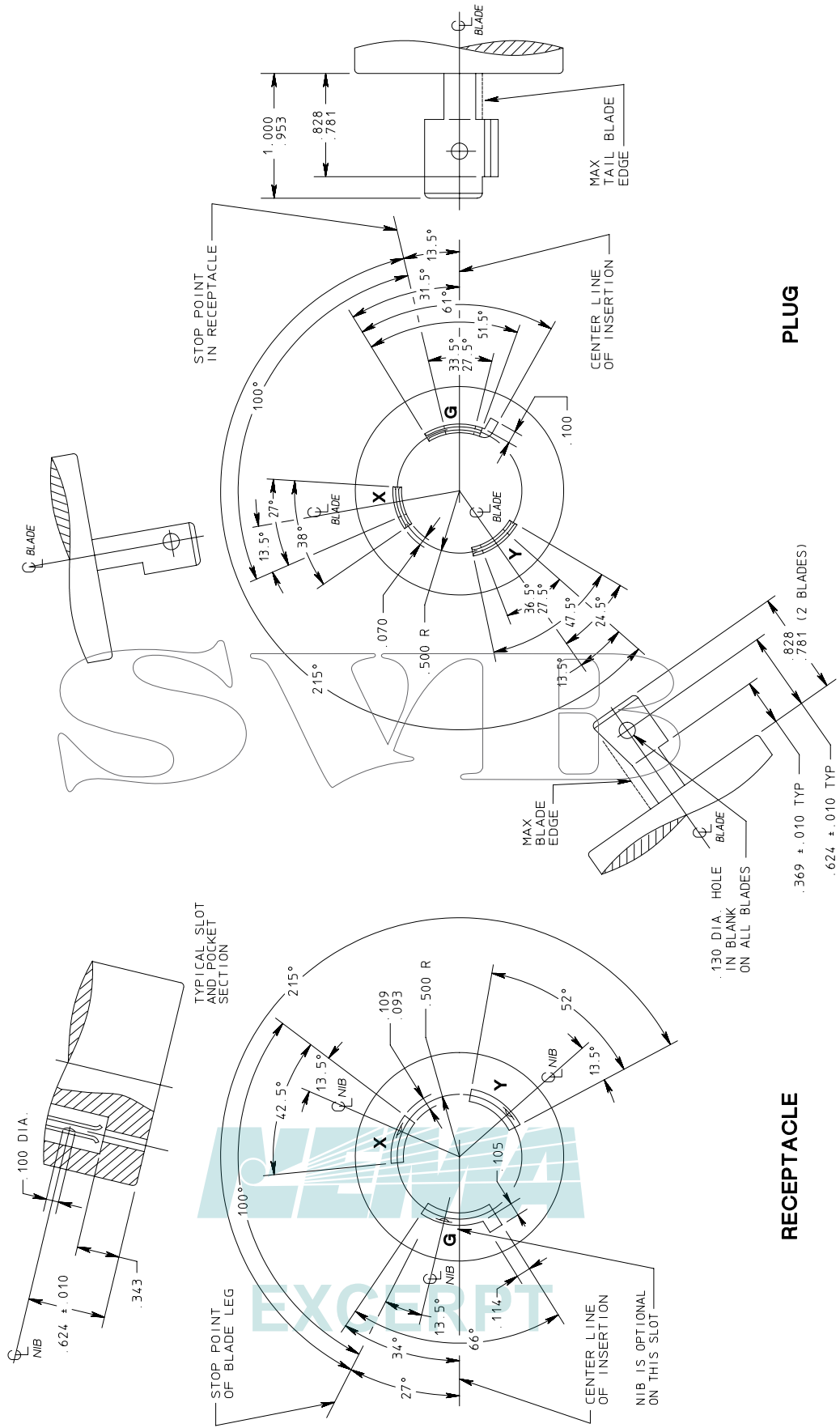


FIGURE L9-20
LOCKING TYPE PLUG AND RECEPTACLE
600 volts AC, 20 amperes, 2 pole, 3 wire, Grounding type

FIGURE L9-30
LOCKING TYPE PLUG AND RECEPTACLE
600 volts AC, 30 amperes, 2 pole, 3 wire, Grounding type



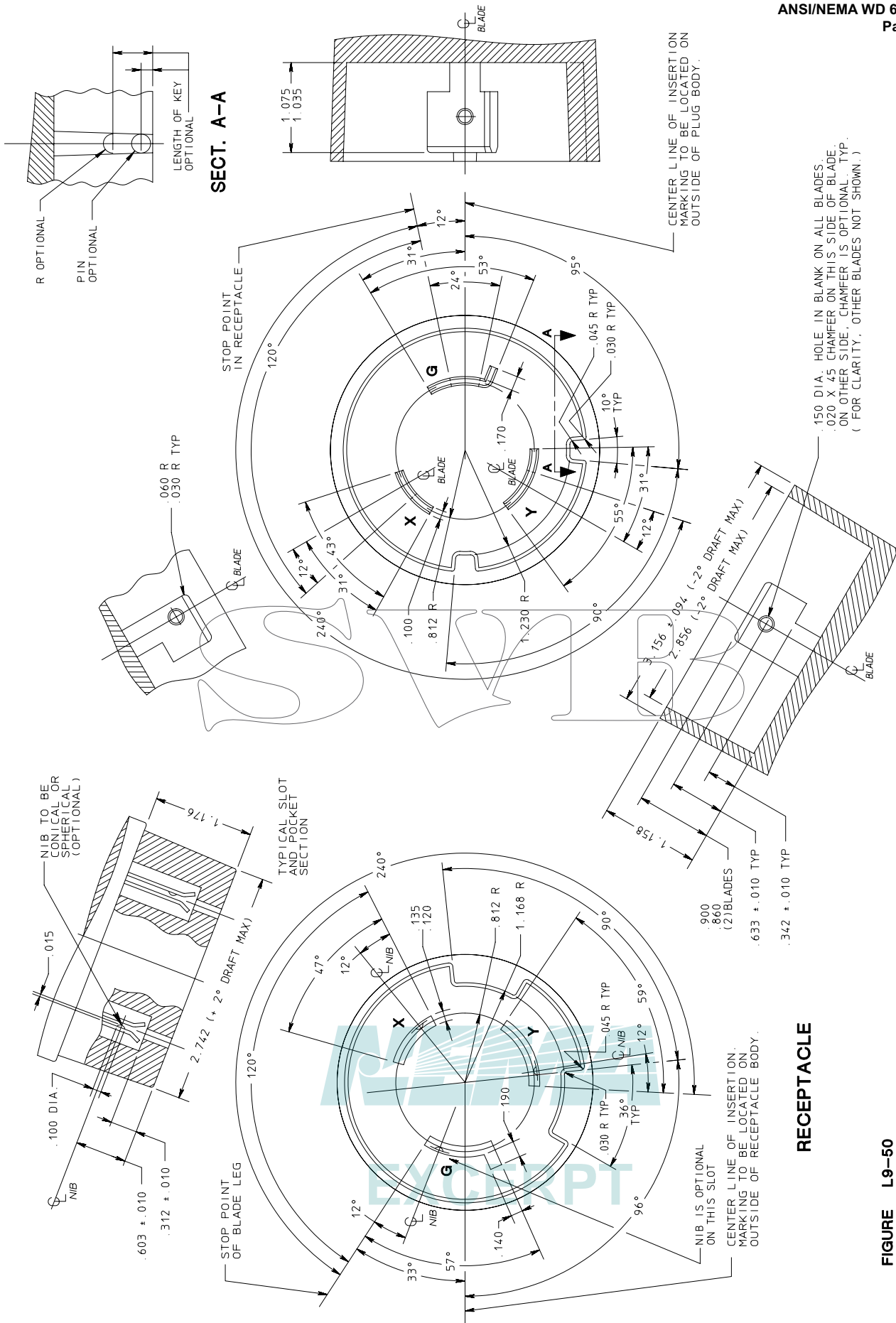
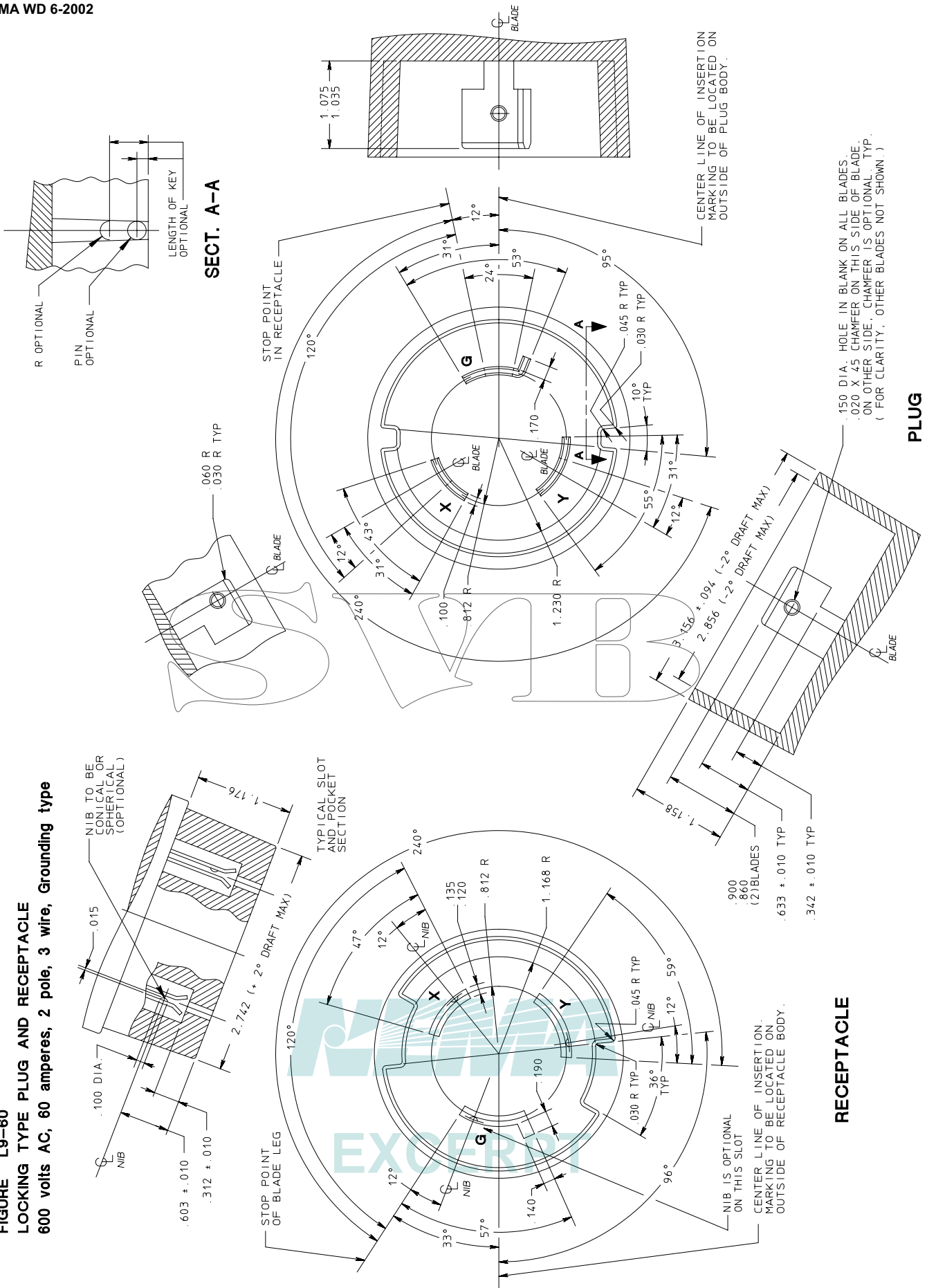


FIGURE L9-50
LOCKING TYPE PLUG AND RECEPTACLE
600 volts AC, 50 amperes, 2 pole, 3 wire, Grounding type

FIGURE L9-60
LOCKING TYPE PLUG AND RECEPTACLE
600 volts AC, 60 amperes, 2 pole, 3 wire, Grounding type



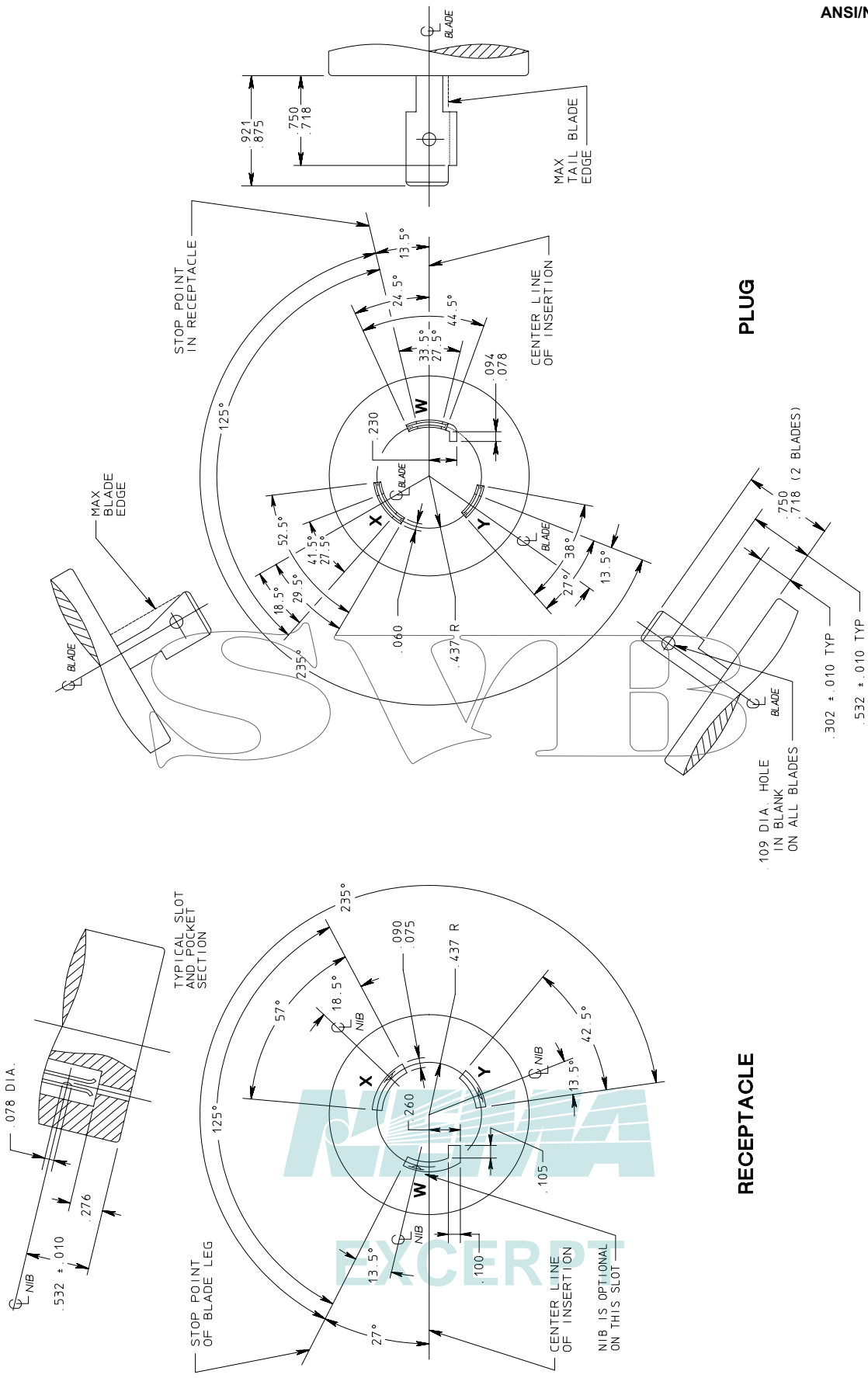
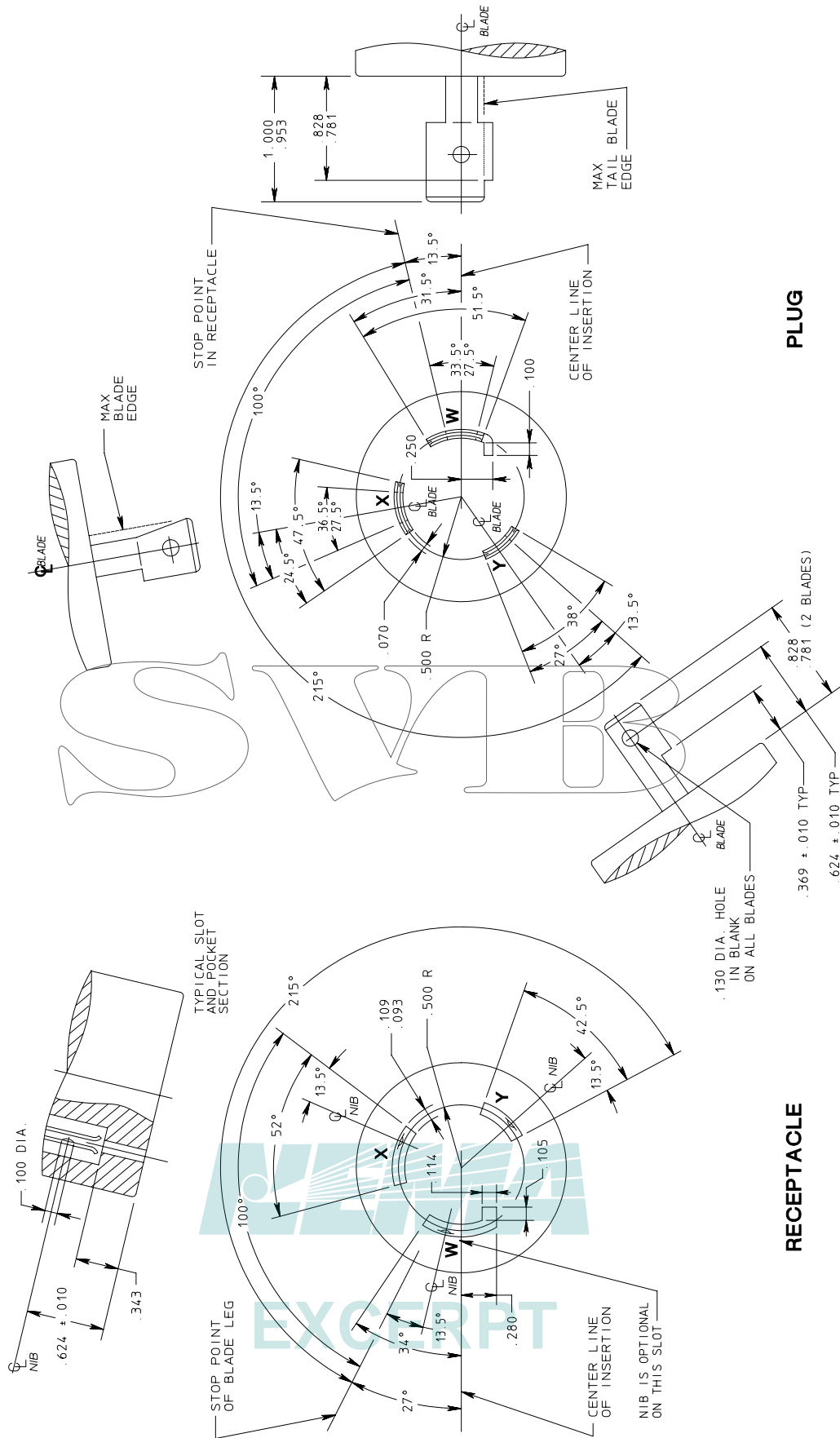


FIGURE L10-20
LOCKING TYPE PLUG AND RECEPTACLE
125/250 volts, 20 amperes, 3 pole, 3 wire

FIGURE L10-30
LOCKING TYPE PLUG AND RECEPTACLE
125/250 volts, 30 amperes, 3 pole, 3 wire



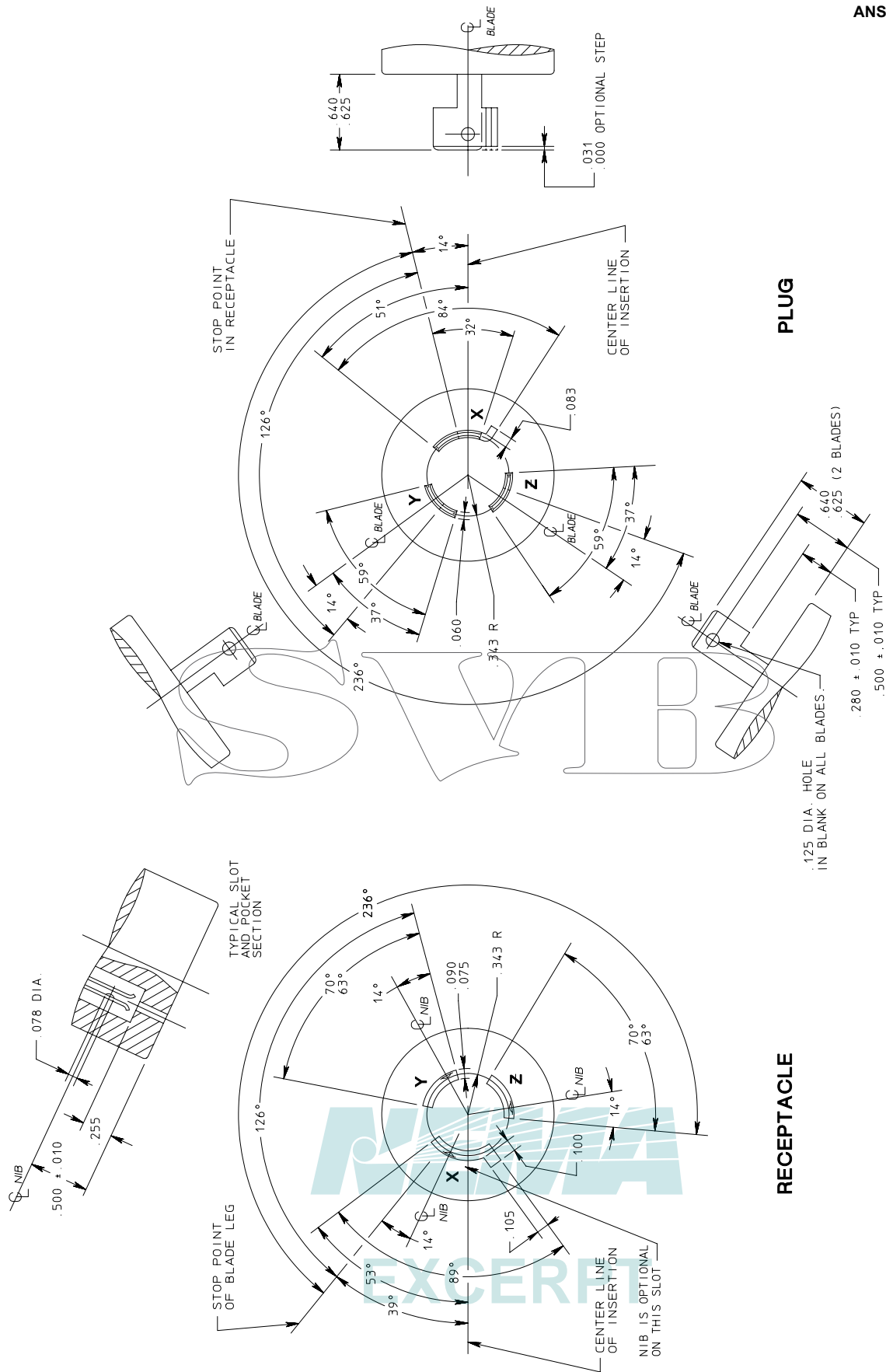


FIGURE L11-15
LOCKING TYPE PLUG AND RECEPTACLE
250 volts, 15 amperes 3 phase, 3 pole, 3 wire

FIGURE L11-20
LOCKING TYPE PLUG AND RECEPTACLE
250 volts, 20 amperes, 3 phase, 3 pole, 3 wire

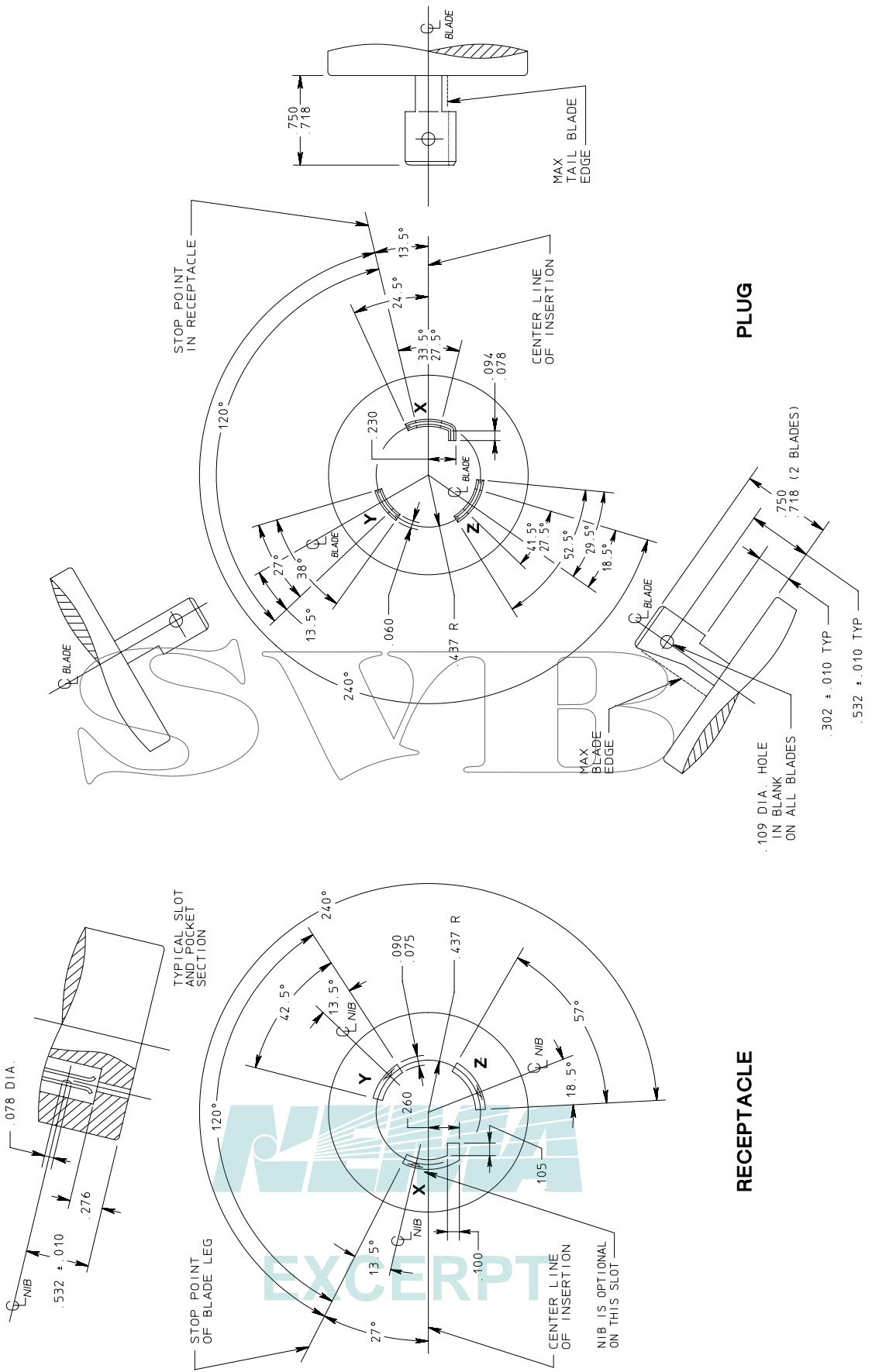
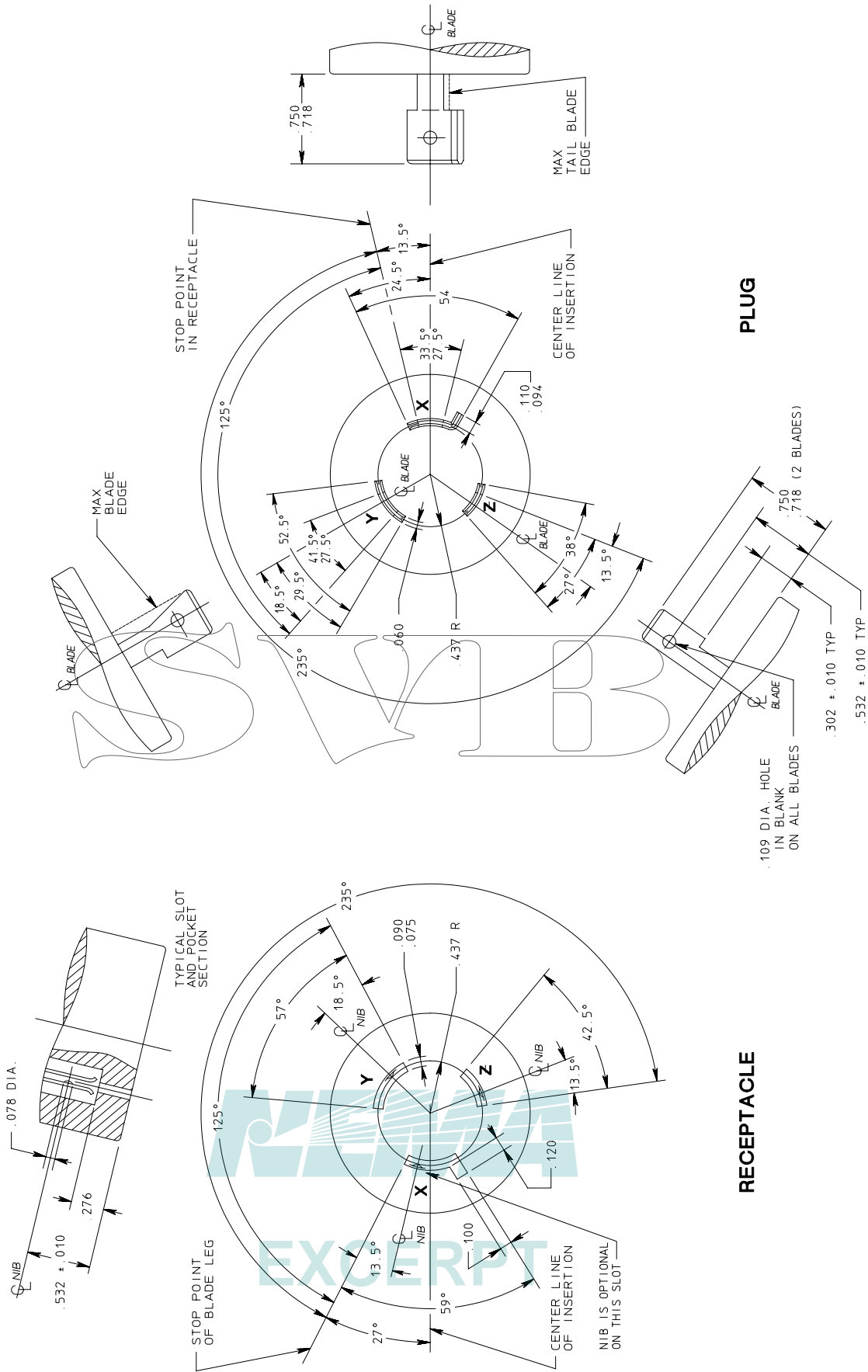


FIGURE L12-20
LOCKING TYPE PLUG AND RECEPTACLE
480 volts , 20 amperes, 3 phase, 3 pole, 3 wire



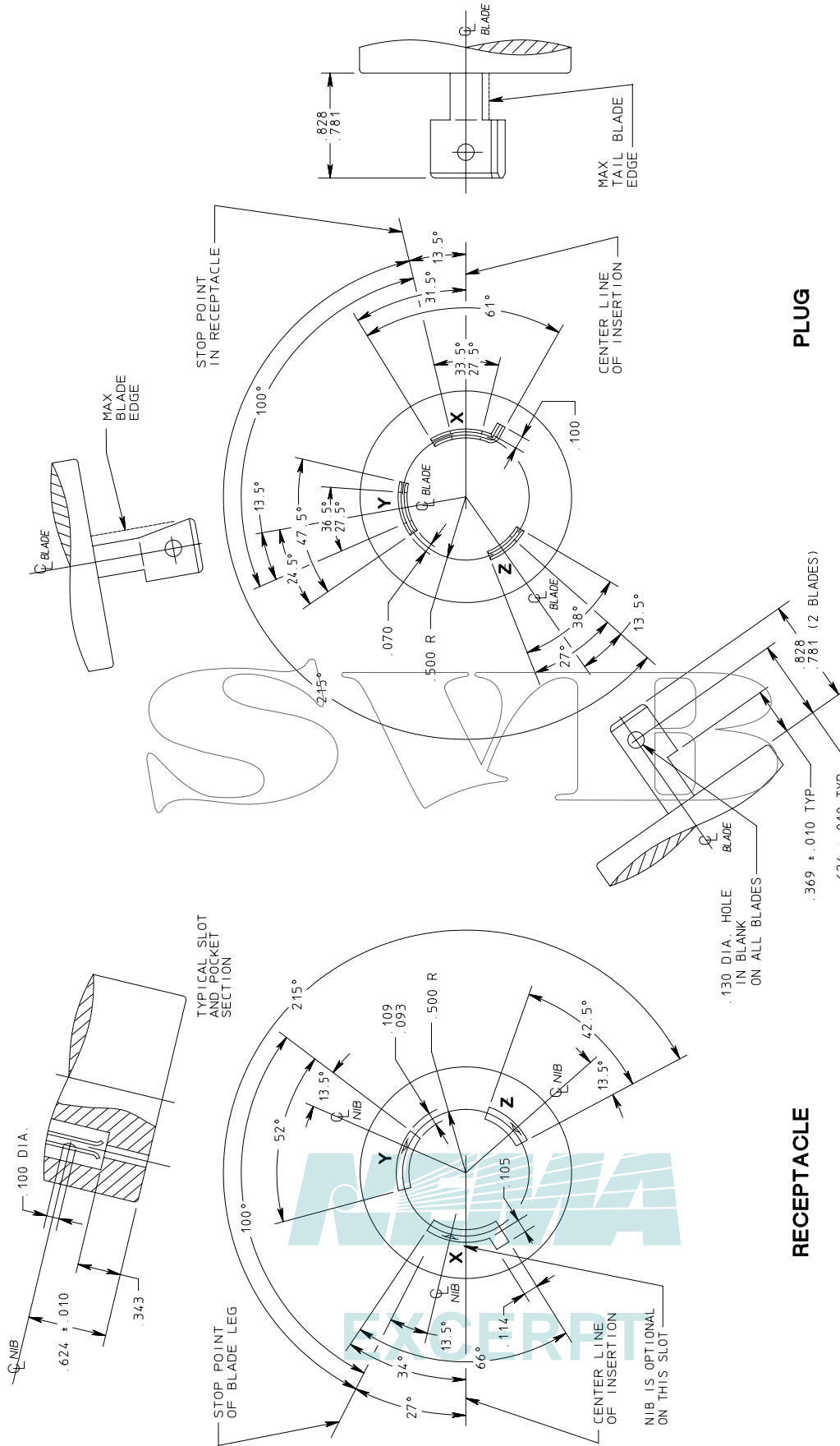


FIGURE L12-30
LOCKING TYPE PLUG AND RECEPTACLE
480 volts , 30 amperes, 3 phase, 3 pole, 3 wire

FIGURE L13-30
LOCKING TYPE PLUG AND RECEPTACLE
600 volts, 30 amperes, 3 phase, 3 pole, 3 wire

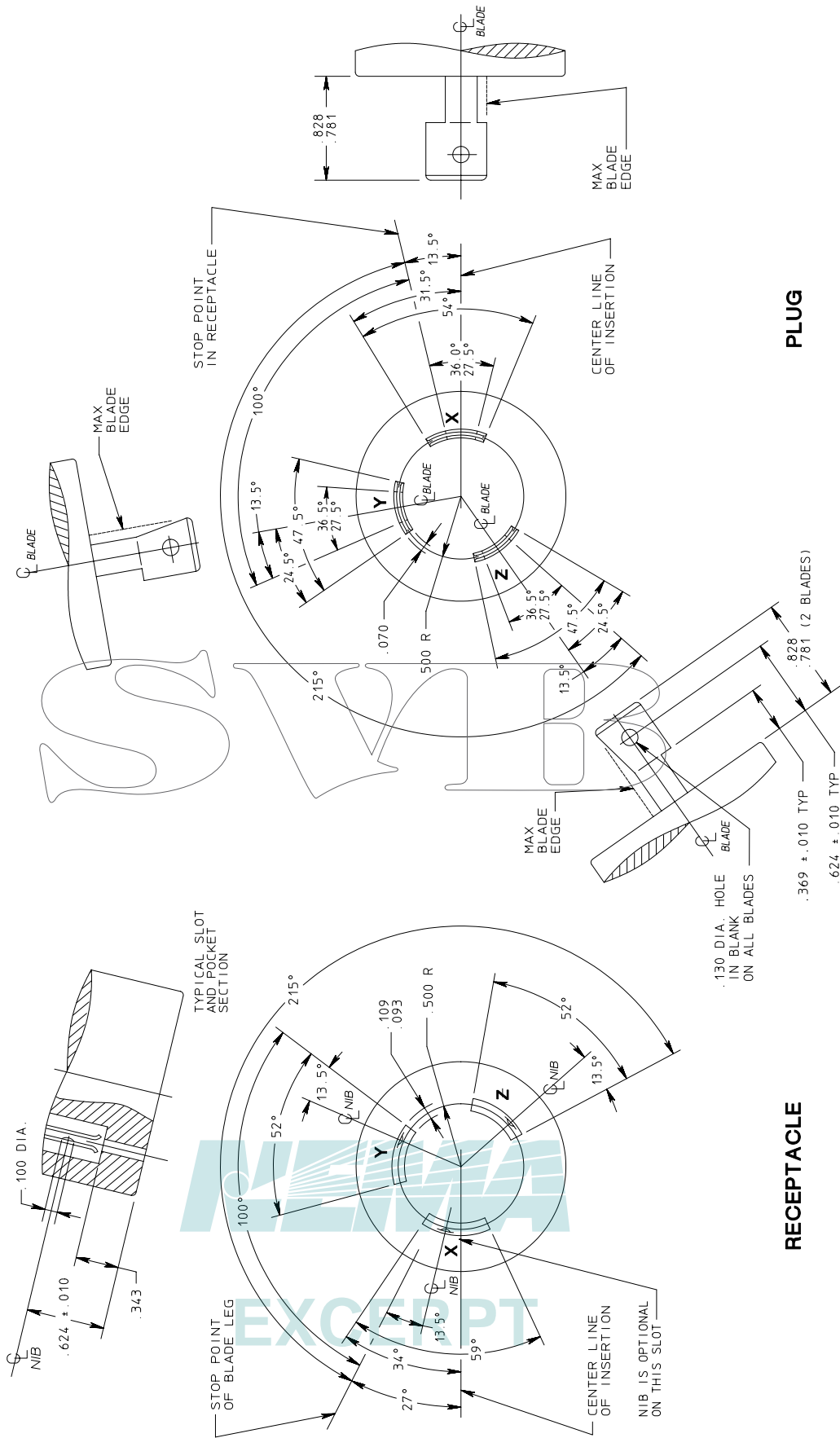
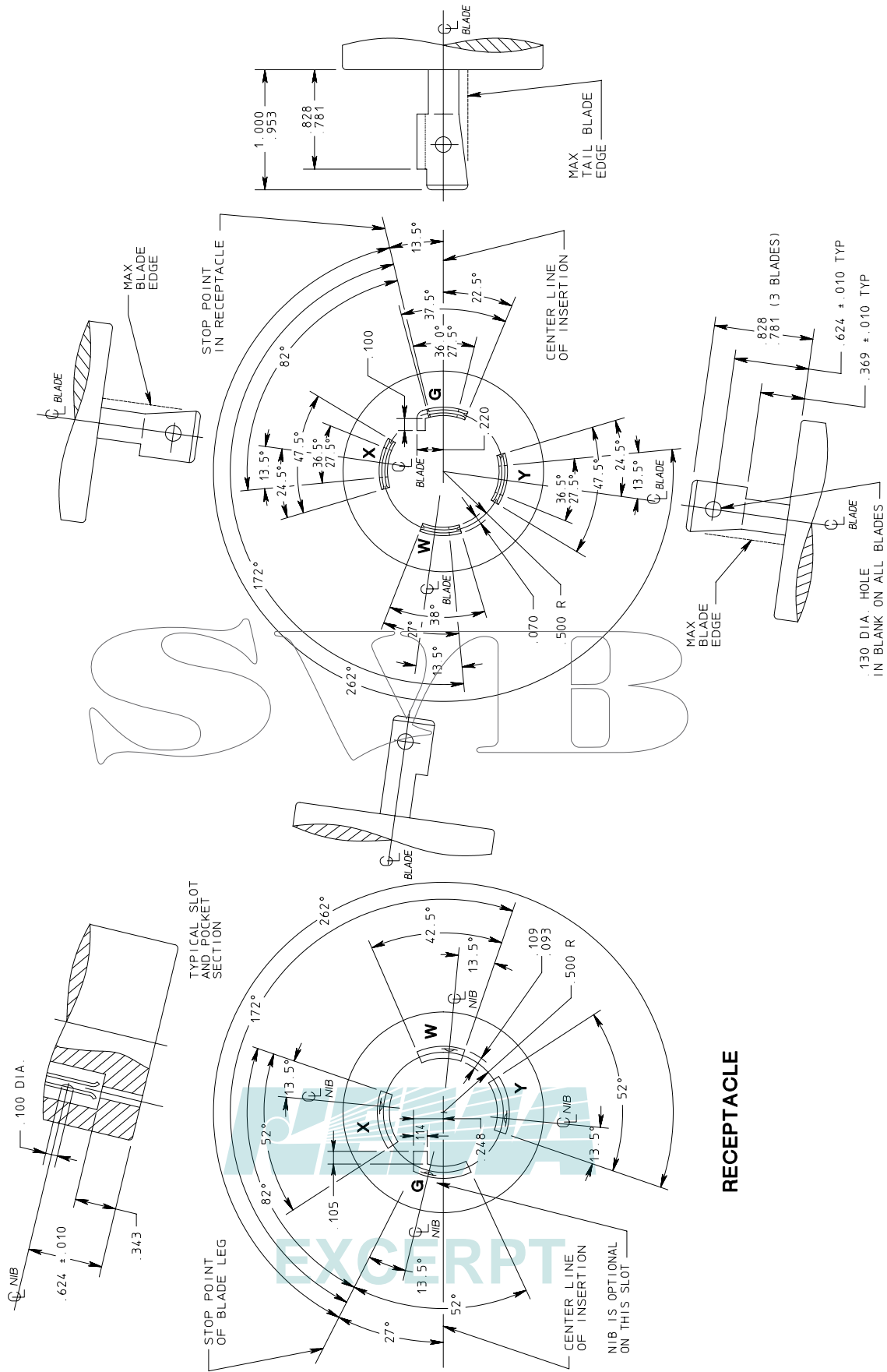


FIGURE L14-30
LOCKING TYPE PLUG AND RECEPTACLE
125/250 volts, 30 amperes, 3 pole, 4 wire, Grounding type



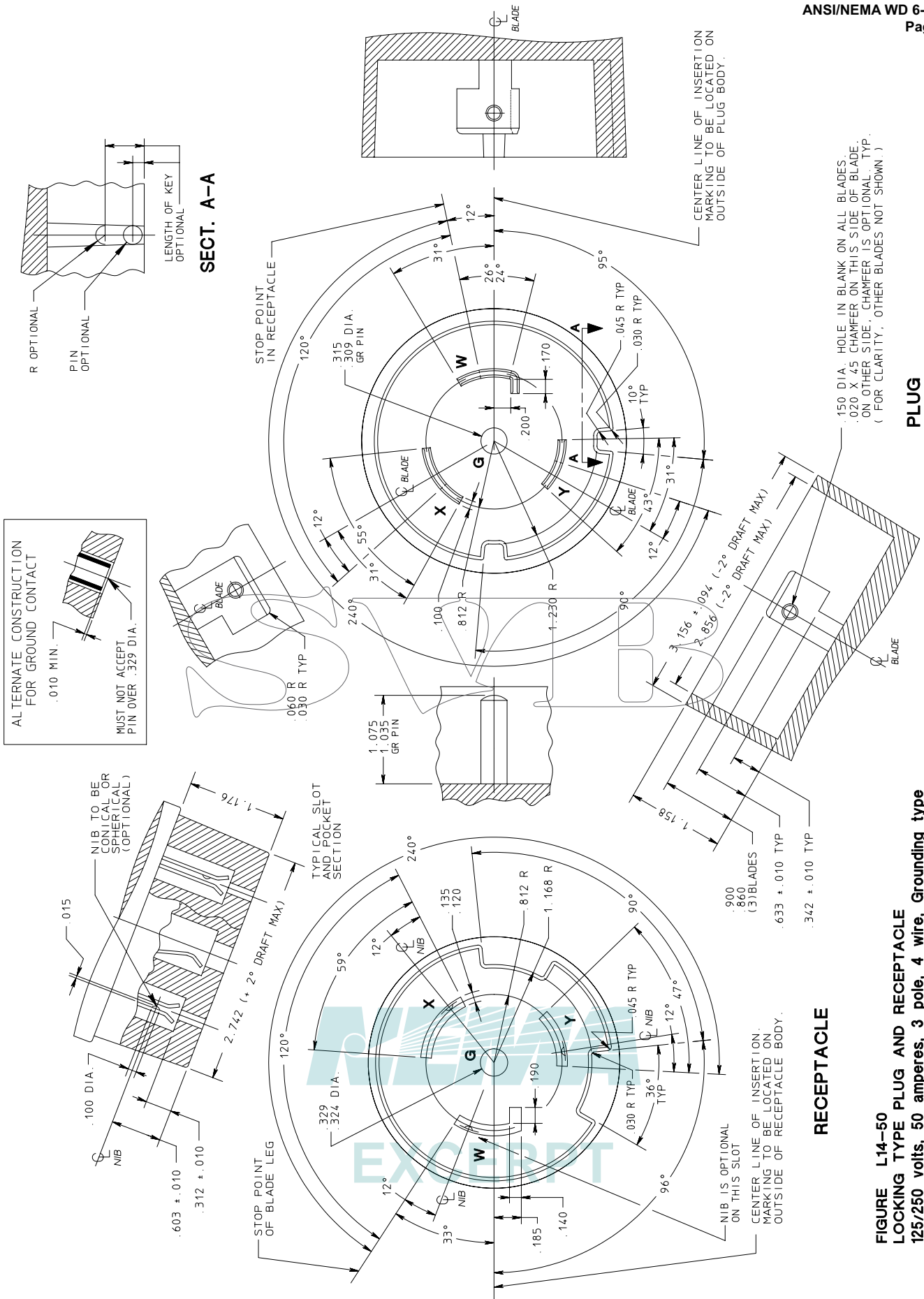
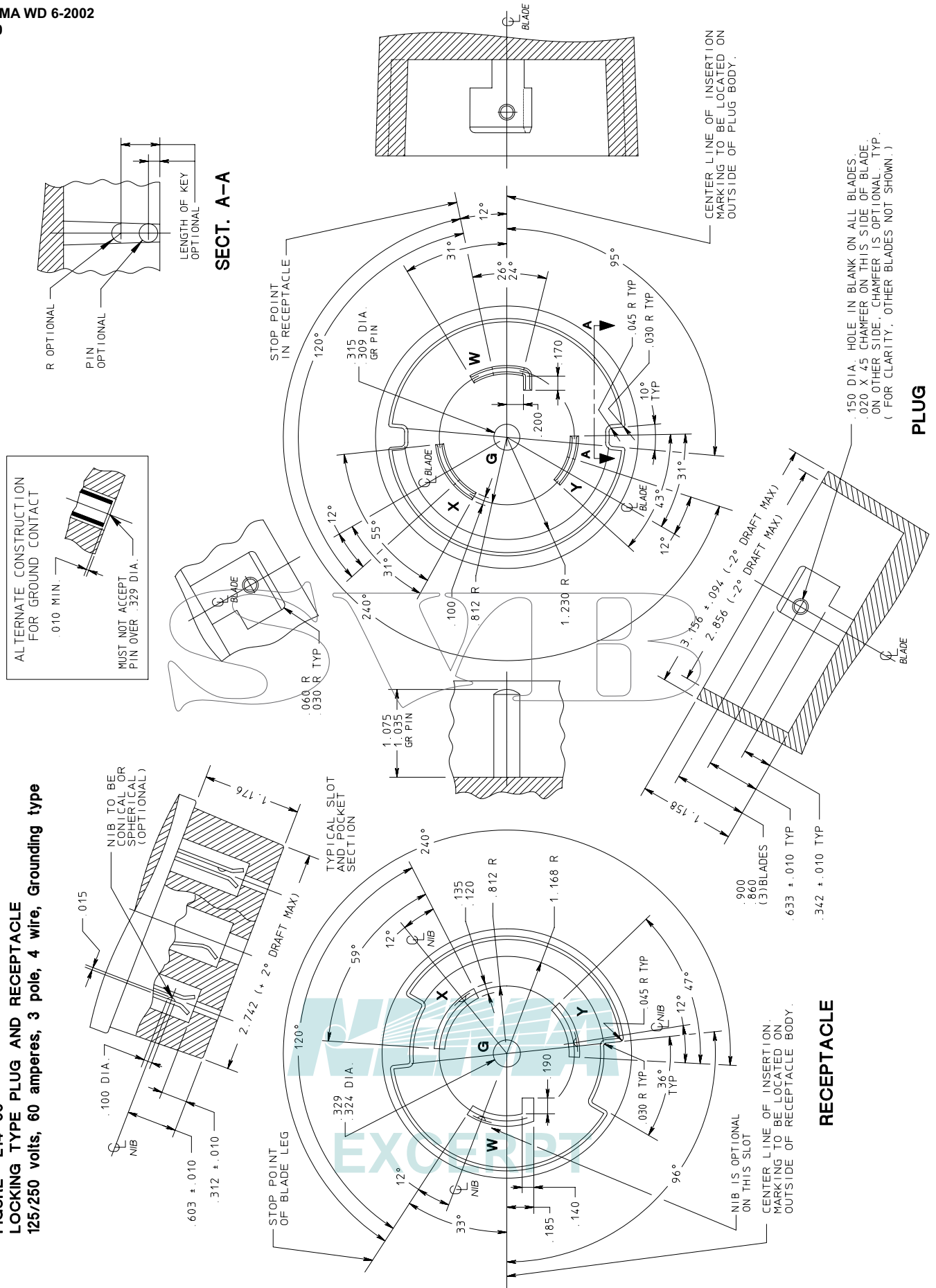


FIGURE L14-50
LOCKING TYPE PLUG AND RECEPTACLE
125/250 volts, 50 amperes, 3 pole, 4 wire, Grounding type

FIGURE L14-60
LOCKING TYPE PLUG AND RECEPTACLE
125/250 volts, 60 amperes, 3 pole, 4 wire, Grounding type



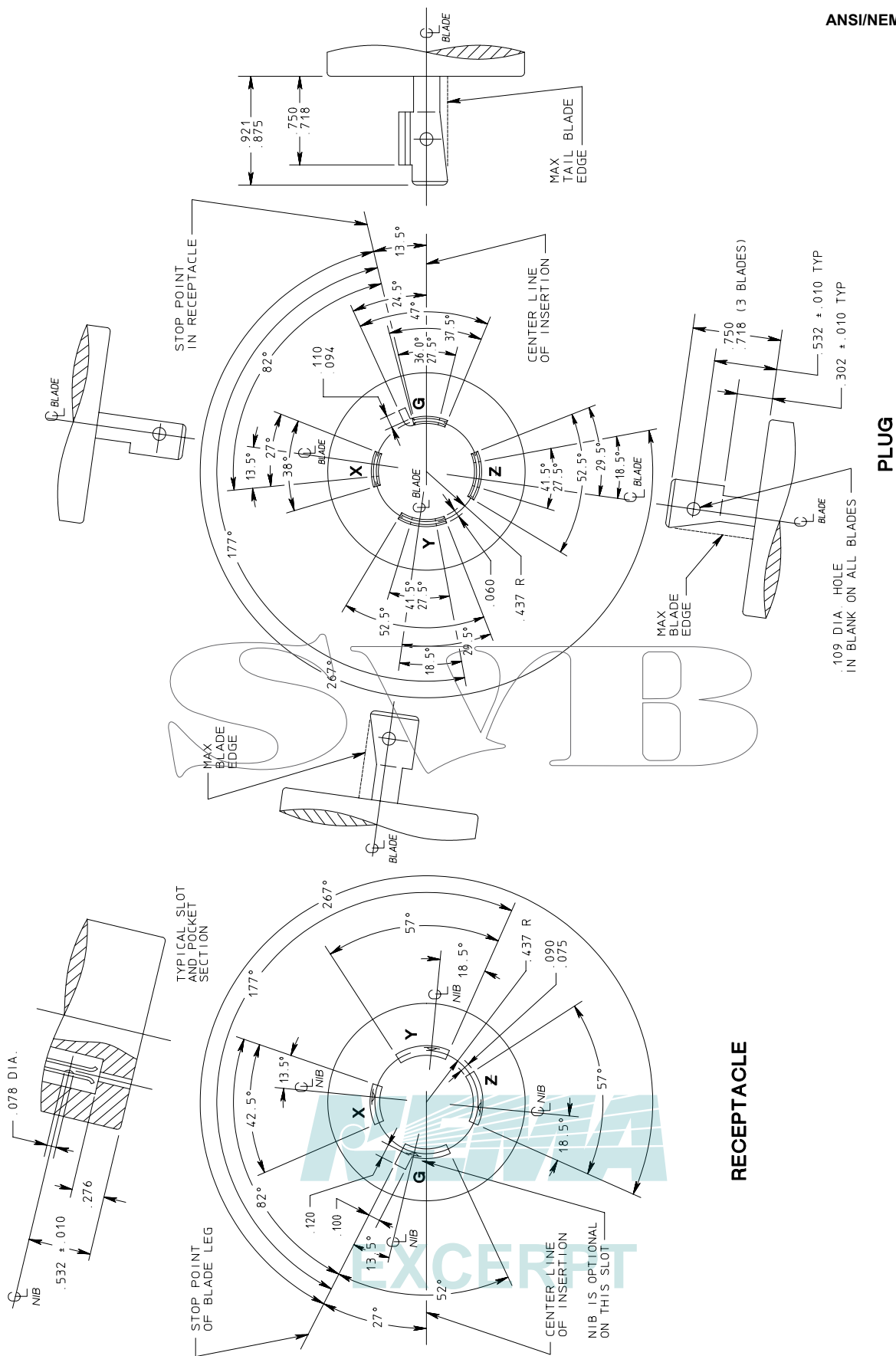
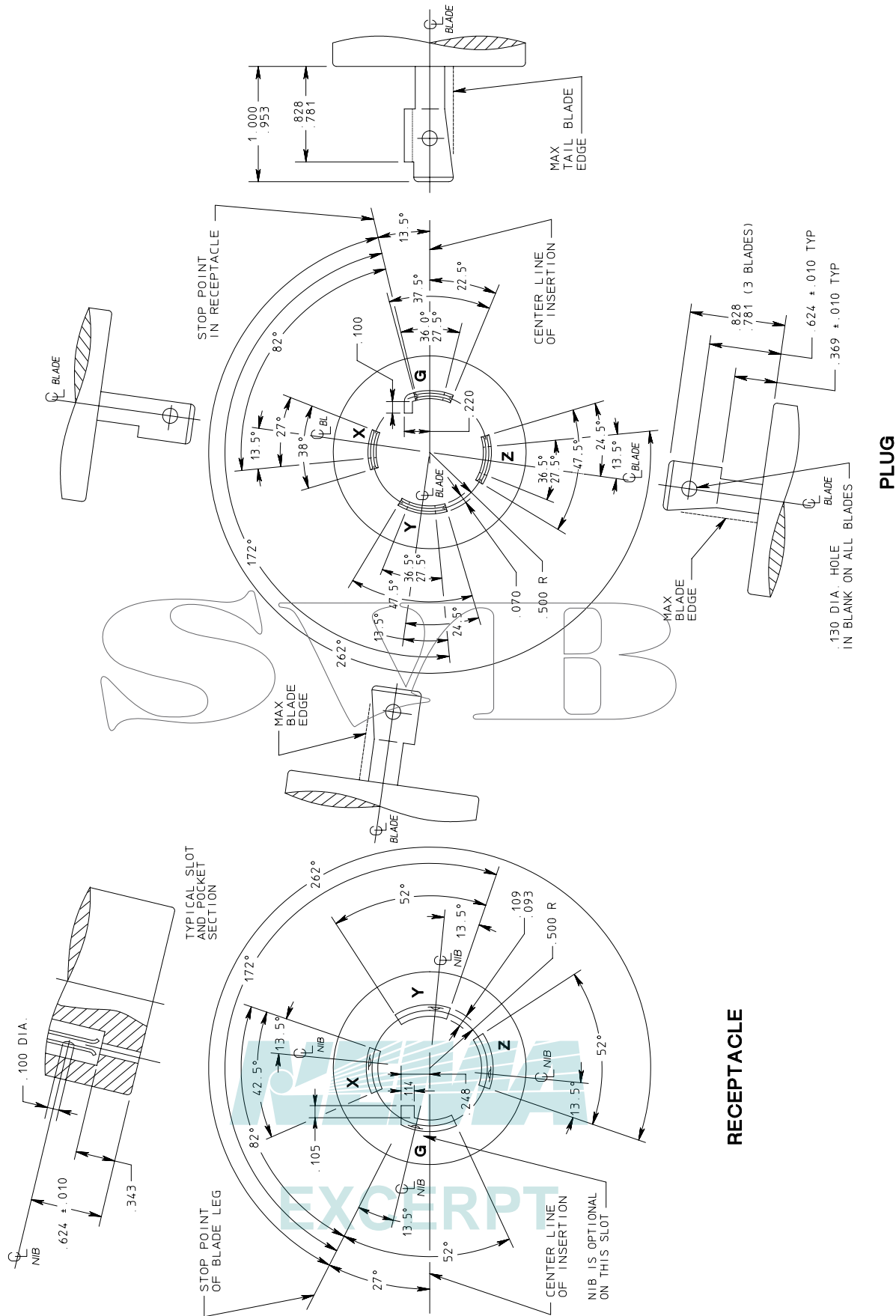


FIGURE L15-20
LOCKING TYPE PLUG AND RECEPTACLE
250 volts, 20 amperes 3 phase, 3 pole, 4 wire, Grounding type

FIGURE L15-30
LOCKING TYPE PLUG AND RECEPTACLE
250 volts, 30 amperes, 3 phase, 3 pole, 4 wire, Grounding type



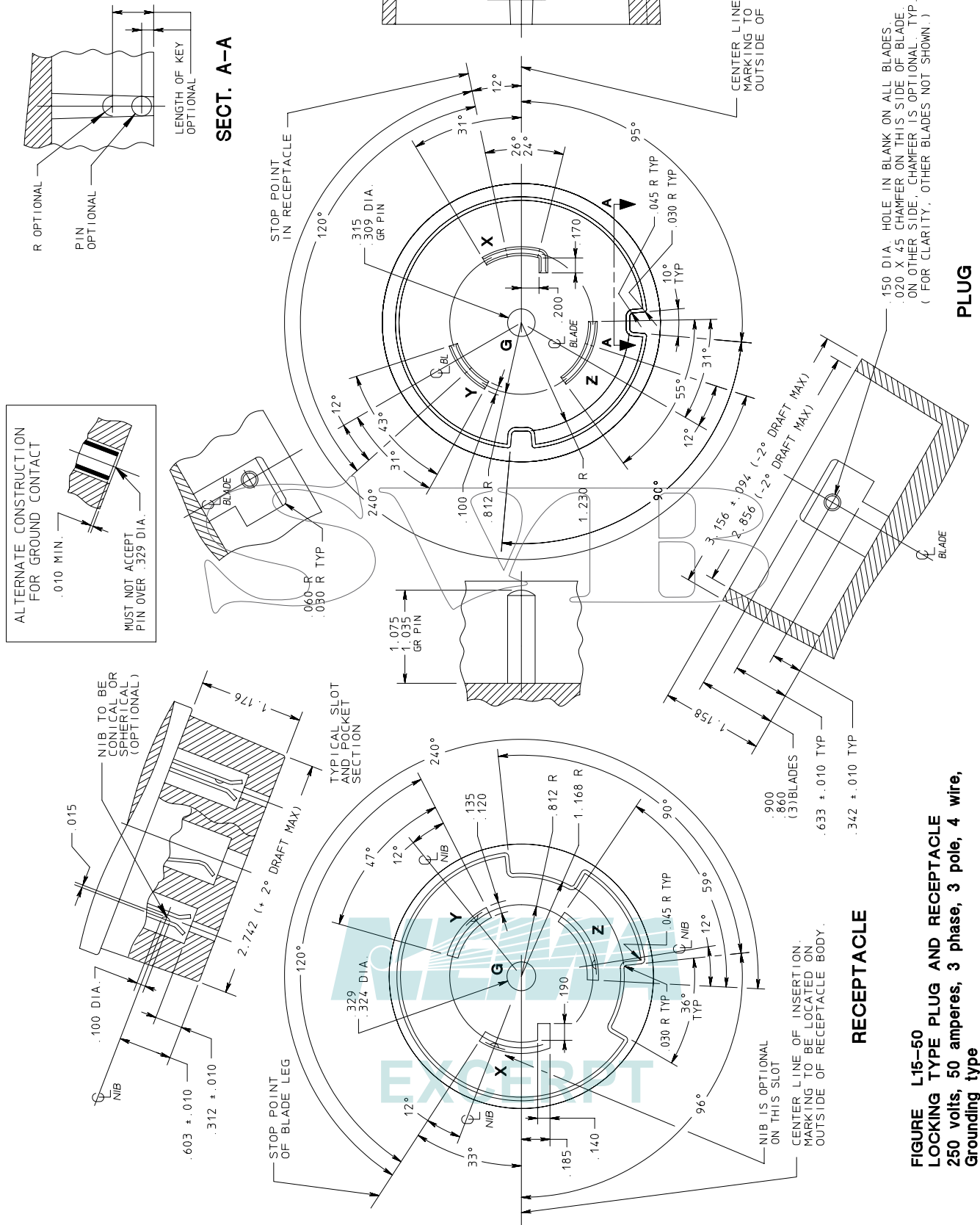
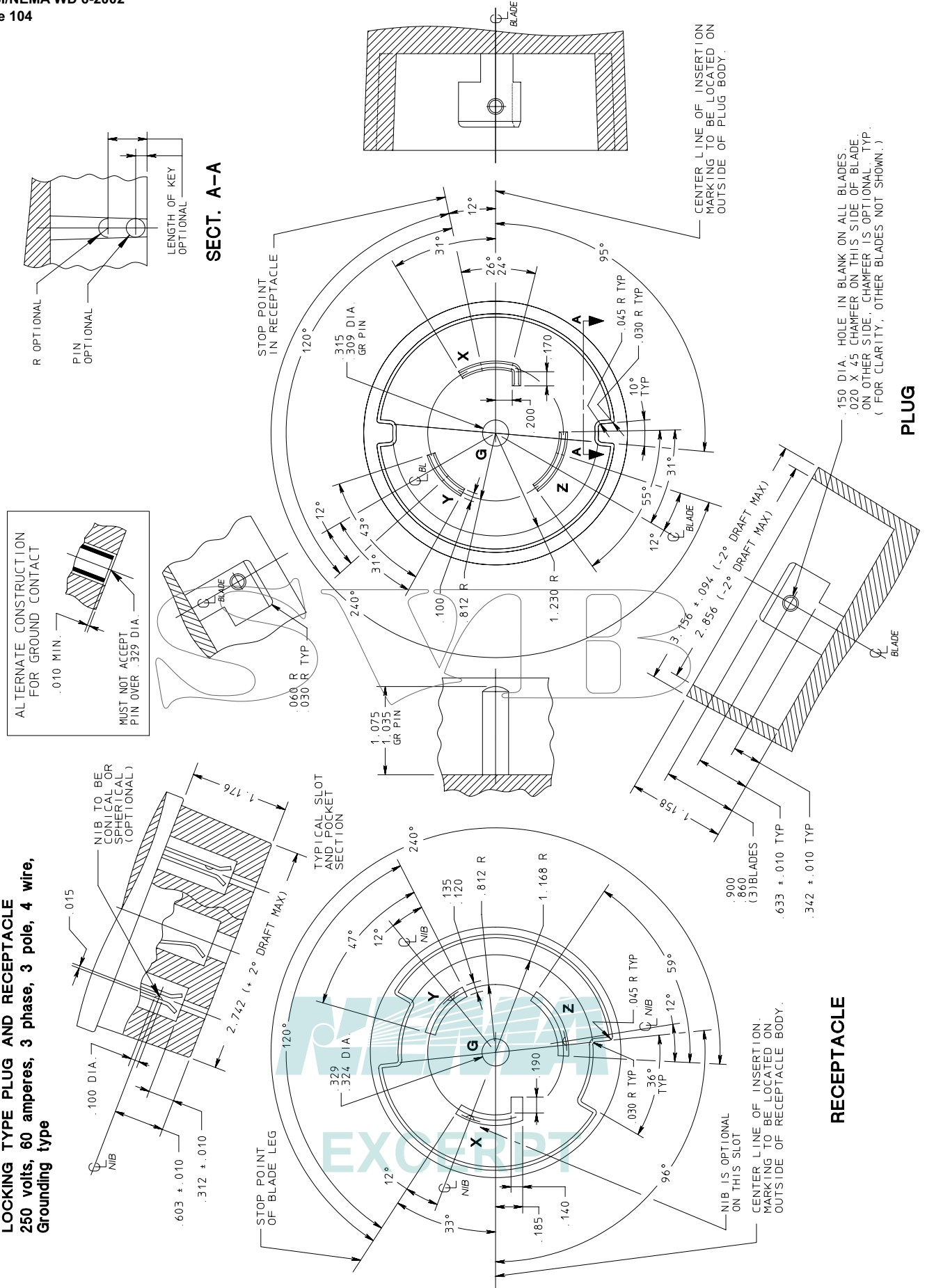


FIGURE L15-50
LOCKING TYPE PLUG AND RECEPTACLE
250 volts, 50 amperes, 3 phase, 3 pole, 4 wire,
Grounding type

PLUG

RECEPTACLE

FIGURE L15-60
LOCKING TYPE PLUG AND RECEPTACLE
250 volts, 60 amperes, 3 phase, 3 pole, 4 wire,
Grounding type



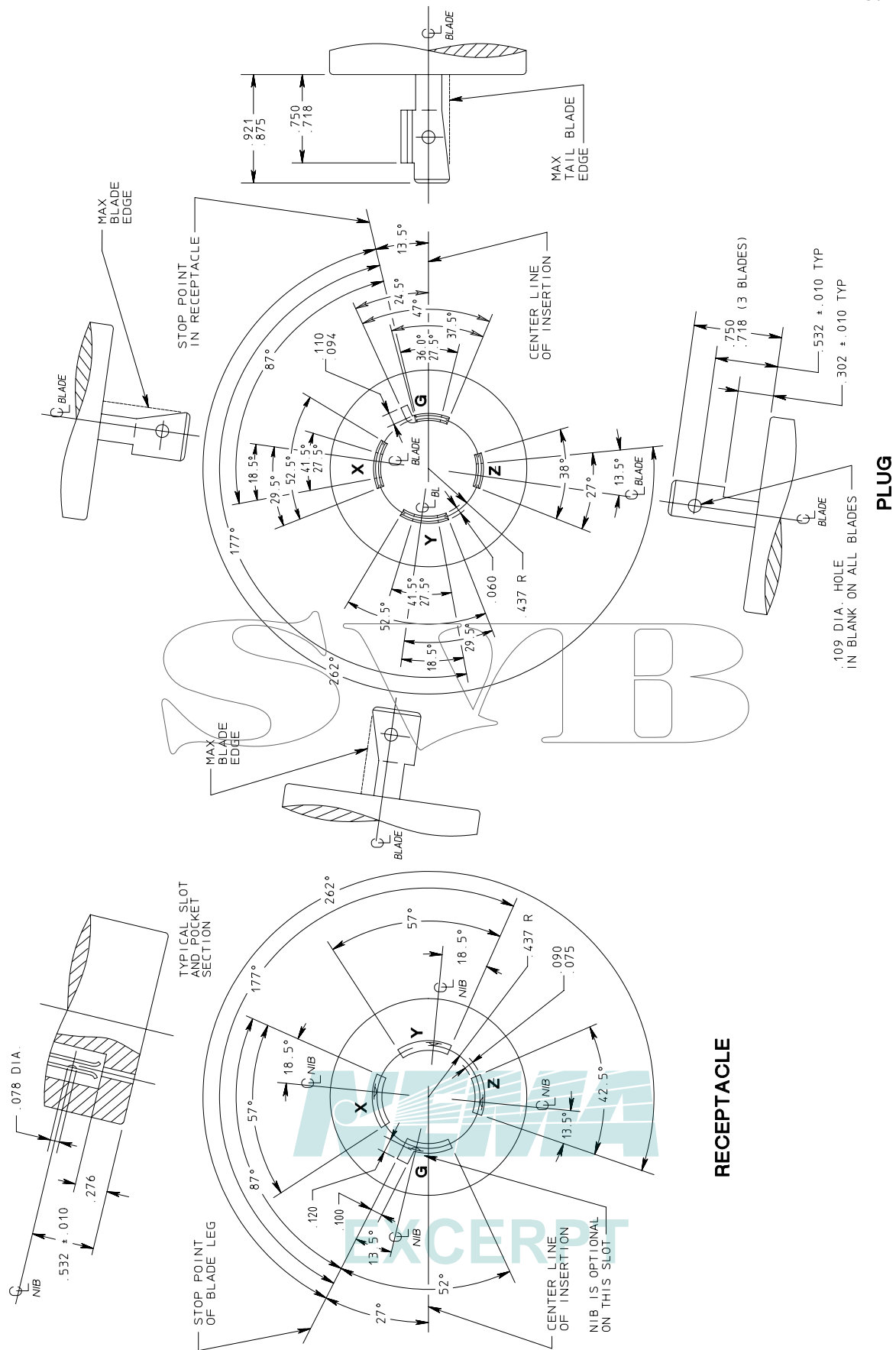
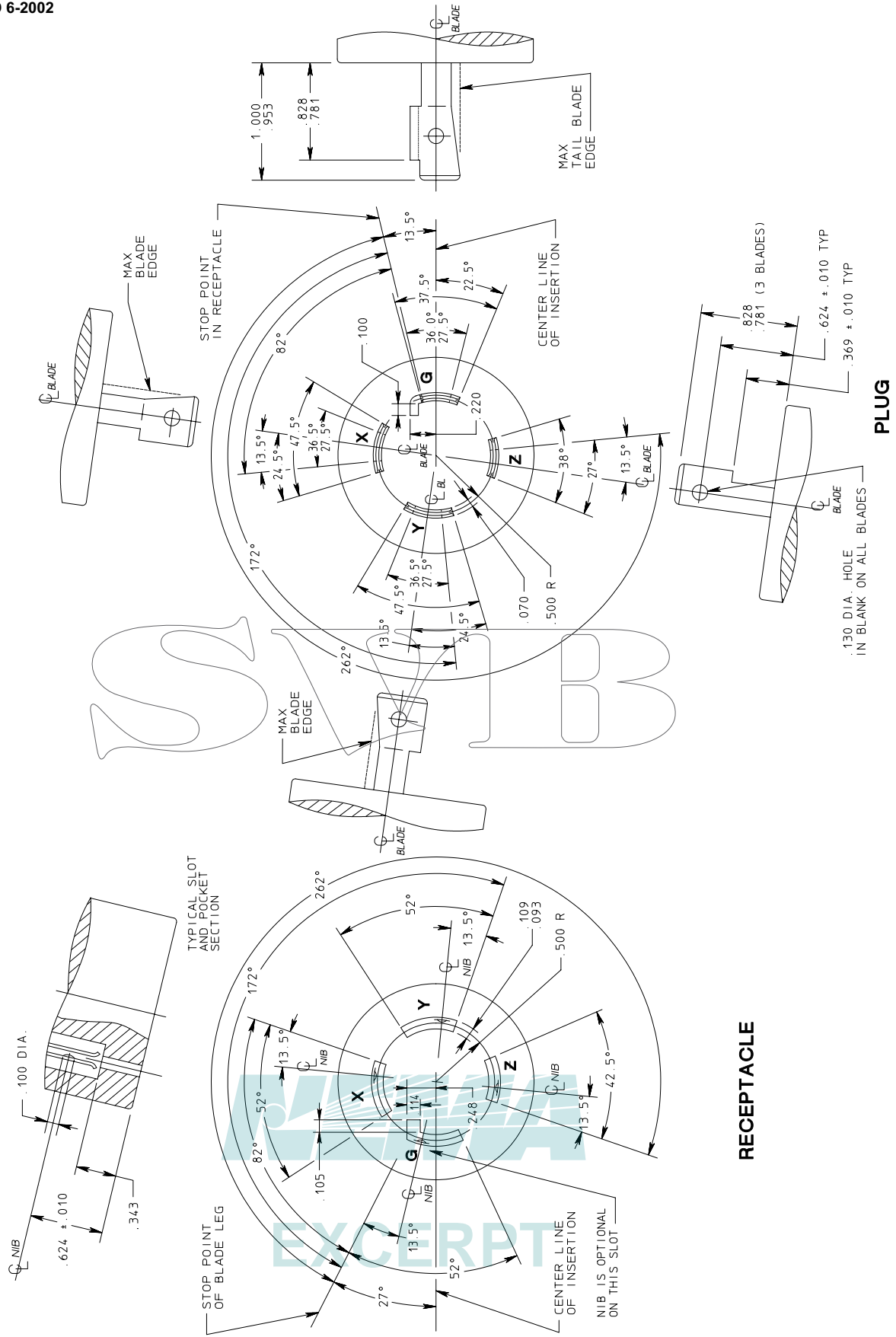


FIGURE L16-20
LOCKING TYPE PLUG AND RECEPTACLE
480 volts, 20 amperes, 3 phase, 3 pole, 4 wire, Grounding type

FIGURE L16-30
LOCKING TYPE PLUG AND RECEPTACLE
480 volts, 30 amperes, 3 phase, 3 pole, 4 wire, Grounding type



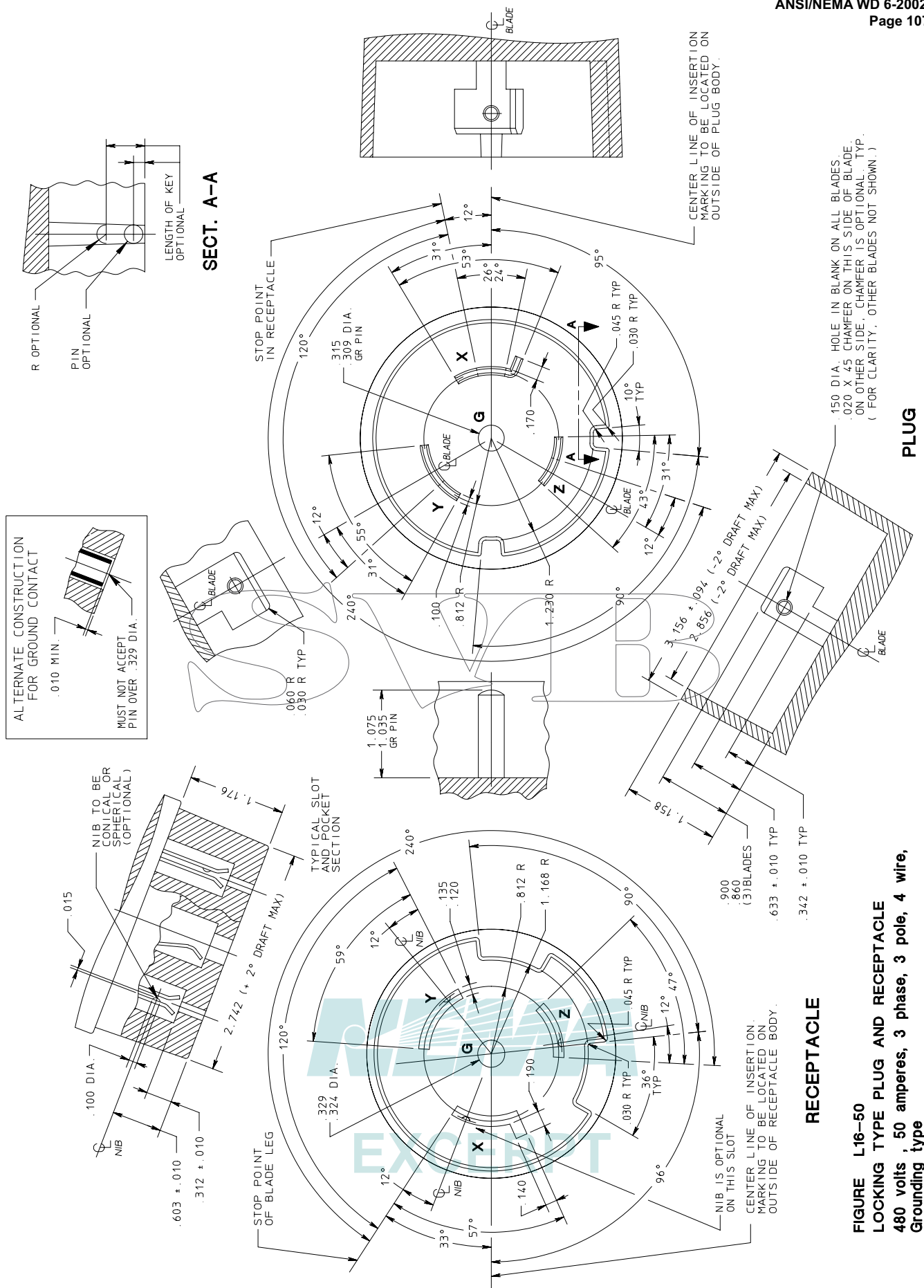


FIGURE L16-50
LOCKING TYPE PLUG AND RECEPTACLE
480 volts, 50 amperes, 3 phase, 3 pole, 4 wire,
Grounding type

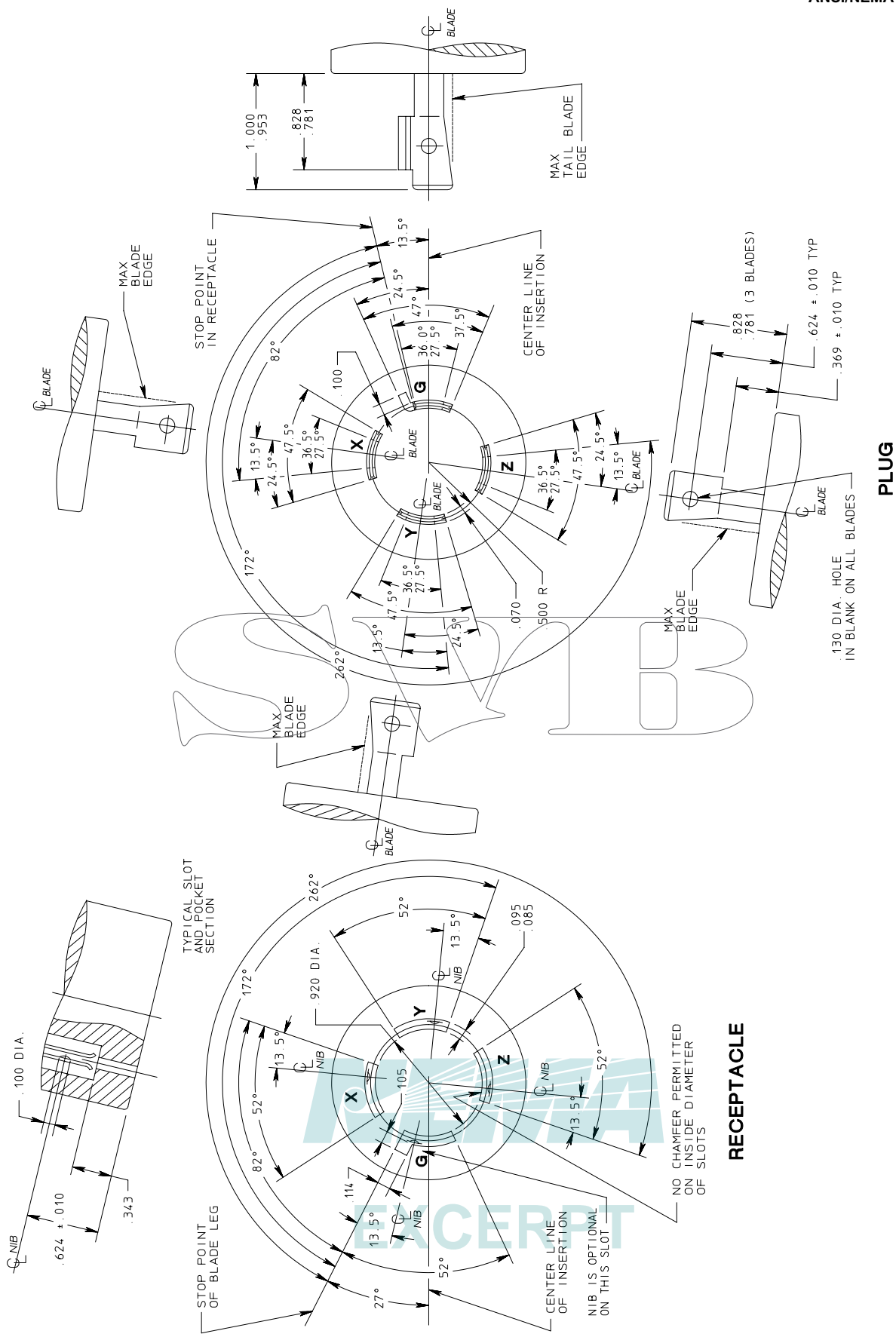


FIGURE L17-30
LOCKING TYPE PLUG AND RECEPTACLE
600 volts, 30 amperes, 3 phase, 3 pole, 4 wire, Grounding type

FIGURE L17-50
LOCKING TYPE PLUG AND RECEPTACLE
600 volts, 50 amperes, 3 phase, 3 pole, 4 wire,
Grounding type

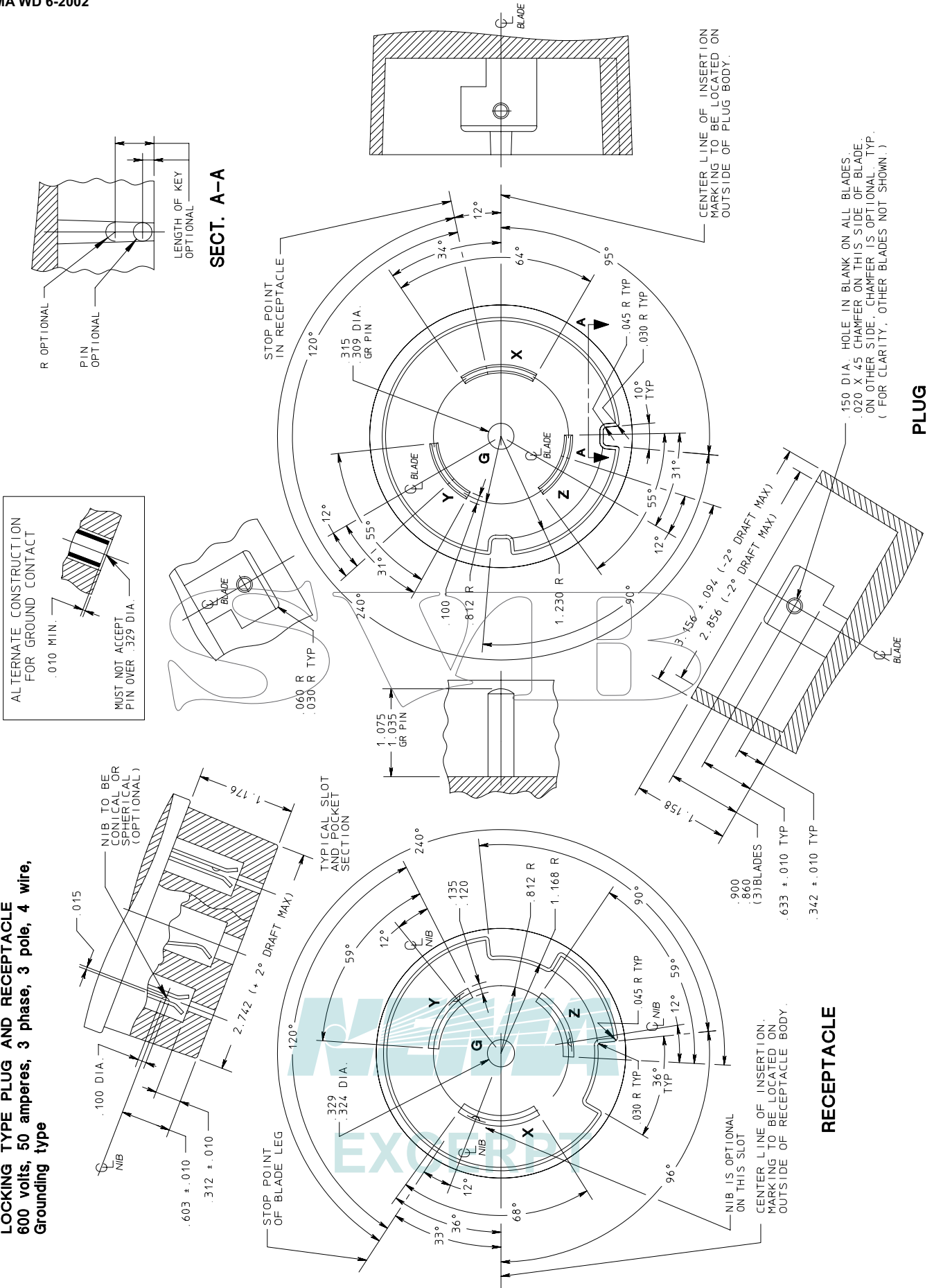


FIGURE L18-20
LOCKING TYPE PLUG AND RECEPTACLE
120/208 volts, 20 amperes, 3 phase Y, 4 pole, 4 wire

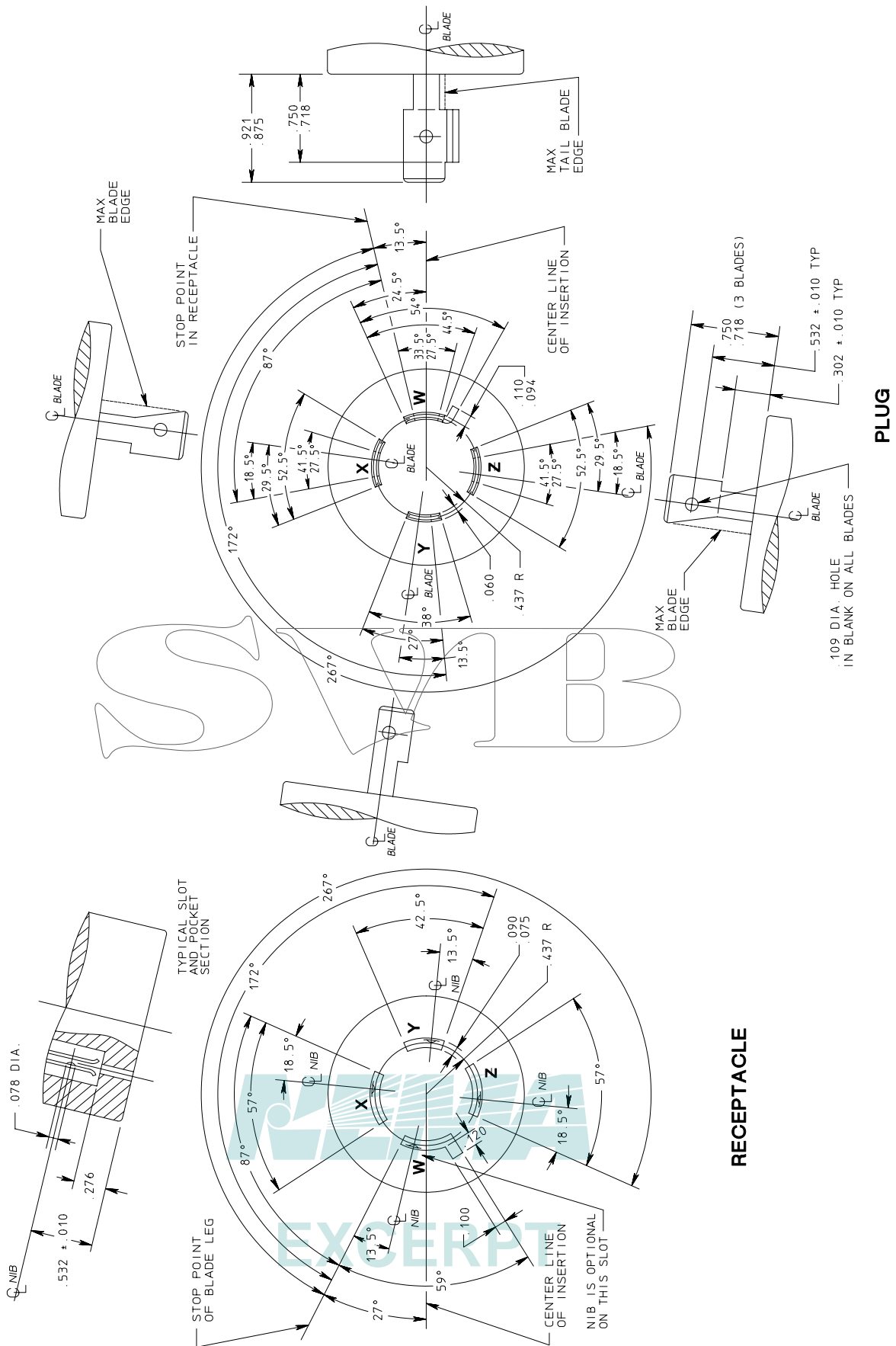
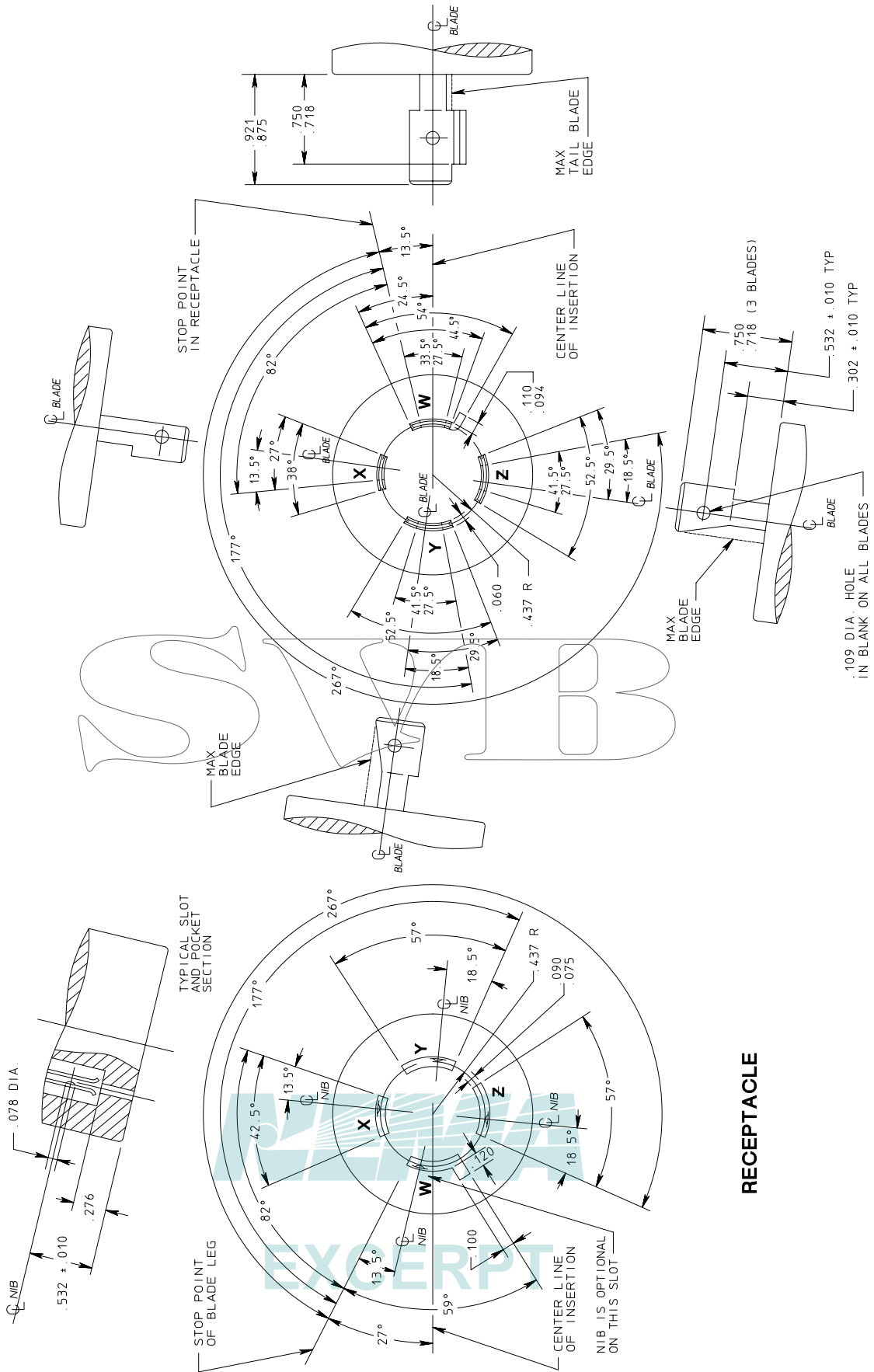
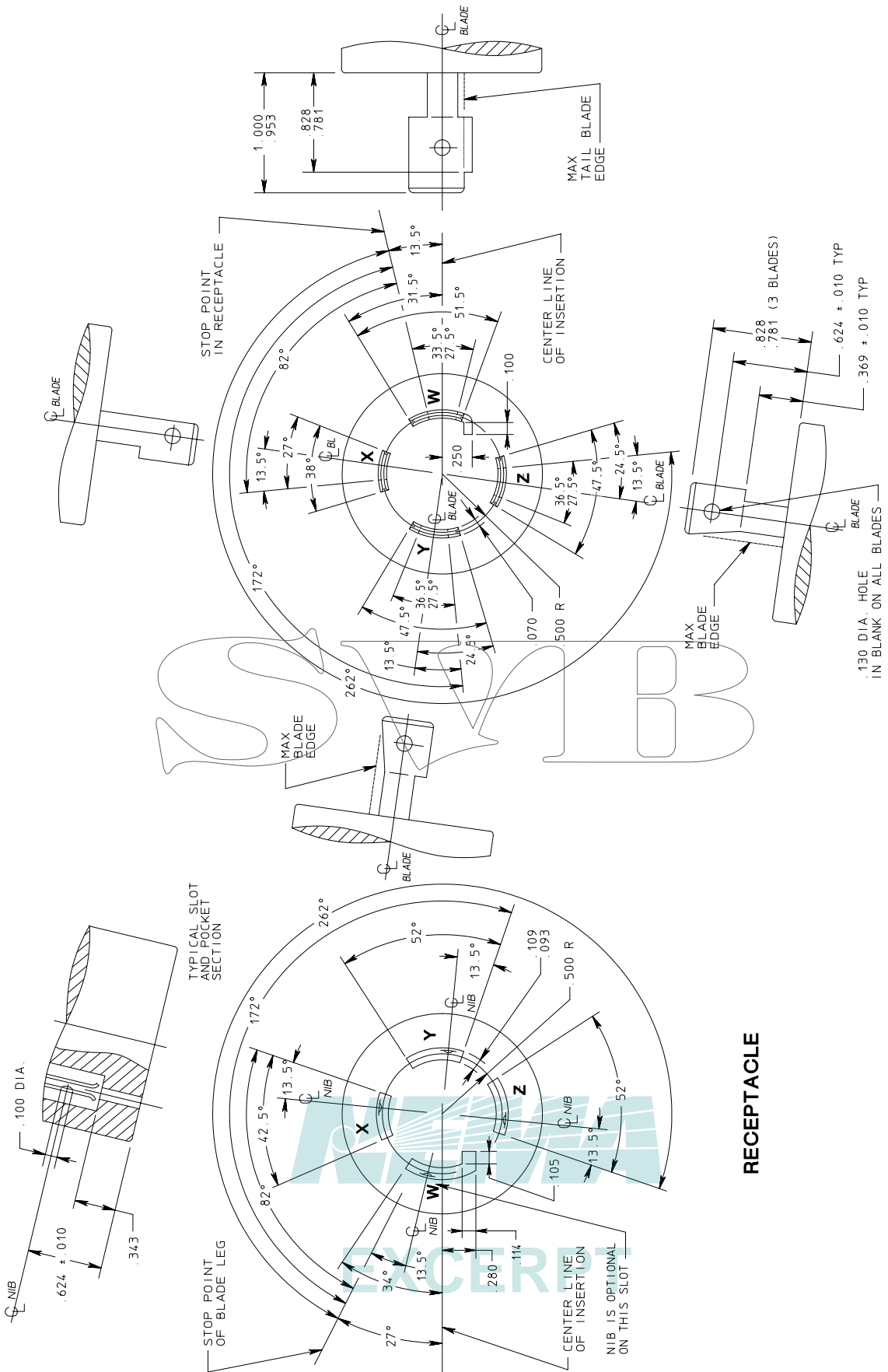


FIGURE L19-20
LOCKING TYPE PLUG AND RECEPTACLE
277/480 volts, 20 amperes, 3 phase Y, 4 pole, 4 wire



PLUG

RECEPTACLE

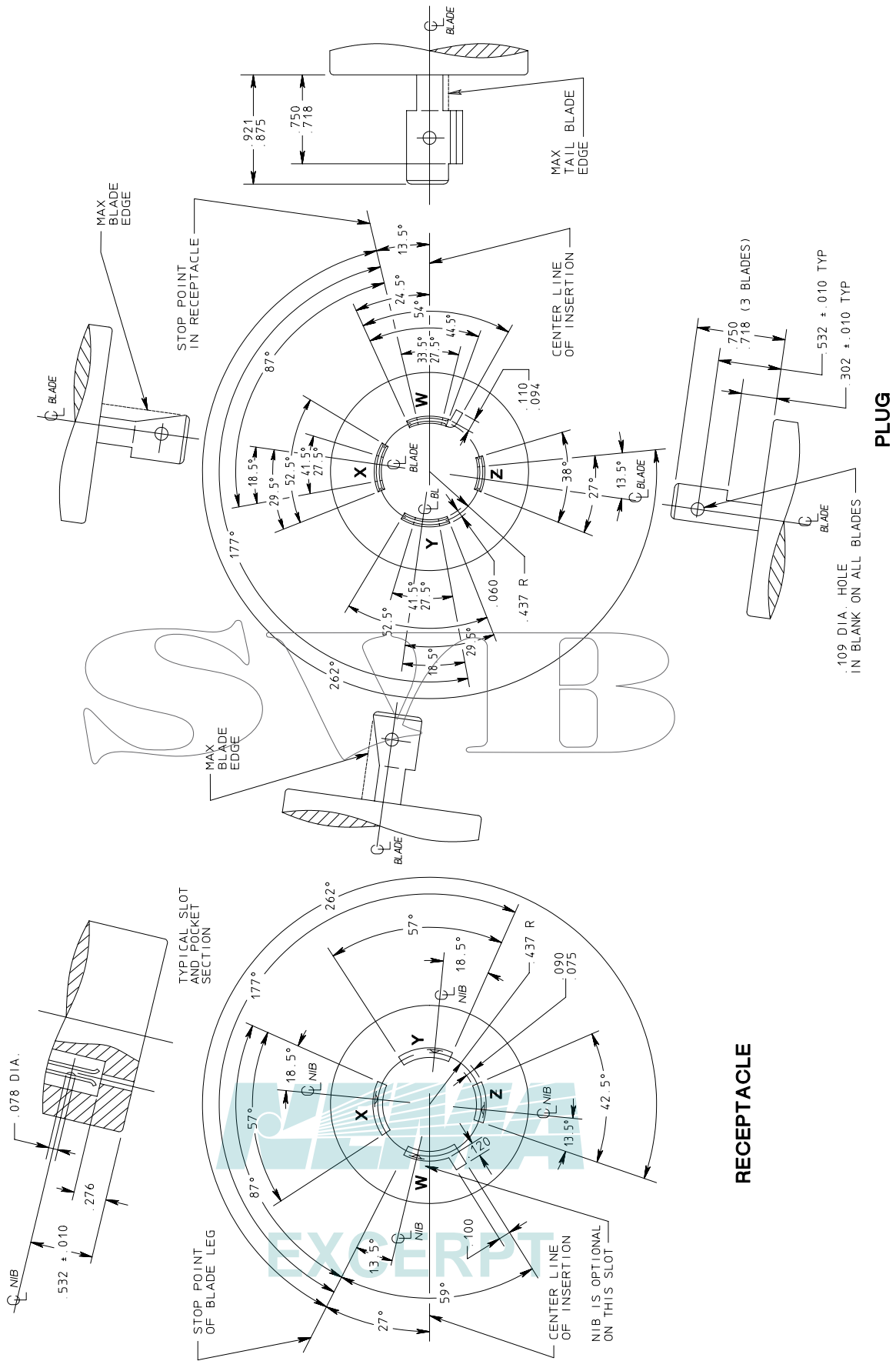


PLUG

RECEPTACLE

FIGURE L19-30
LOCKING TYPE PLUG AND RECEPTACLE
277/480 volts, 30 amperes, 3 phase Y, 4 pole, 4 wire

FIGURE L20-20
LOCKING TYPE PLUG AND RECEPTACLE
347/600 volts, 20 amperes, 3 phase Y, 4 pole, 4 wire



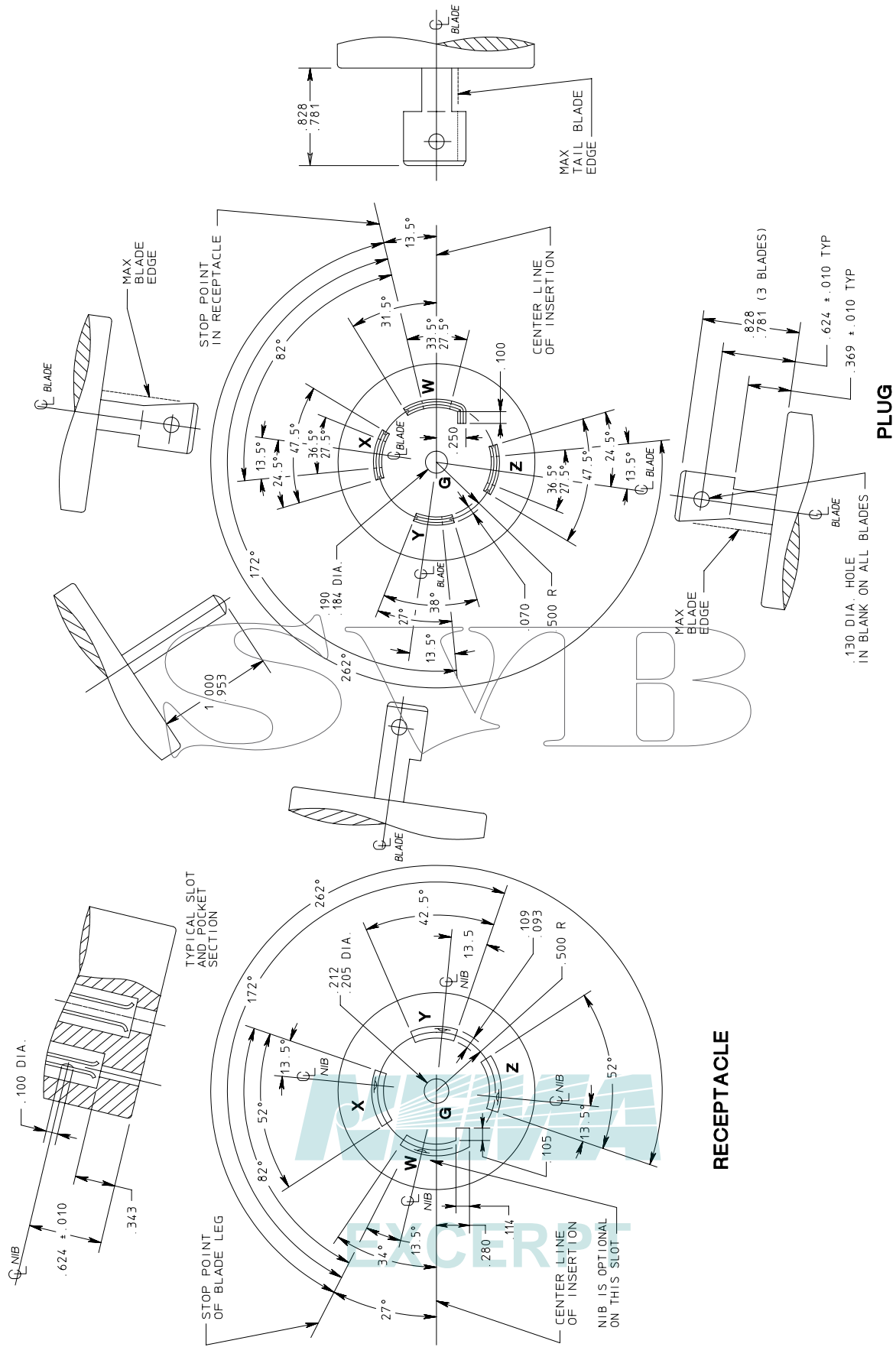


FIGURE L21-30
LOCKING TYPE PLUG AND RECEPTACLE
120/208 volts, 30 amperes, 3 phase Y, 4 pole, 5 wire, Grounding type

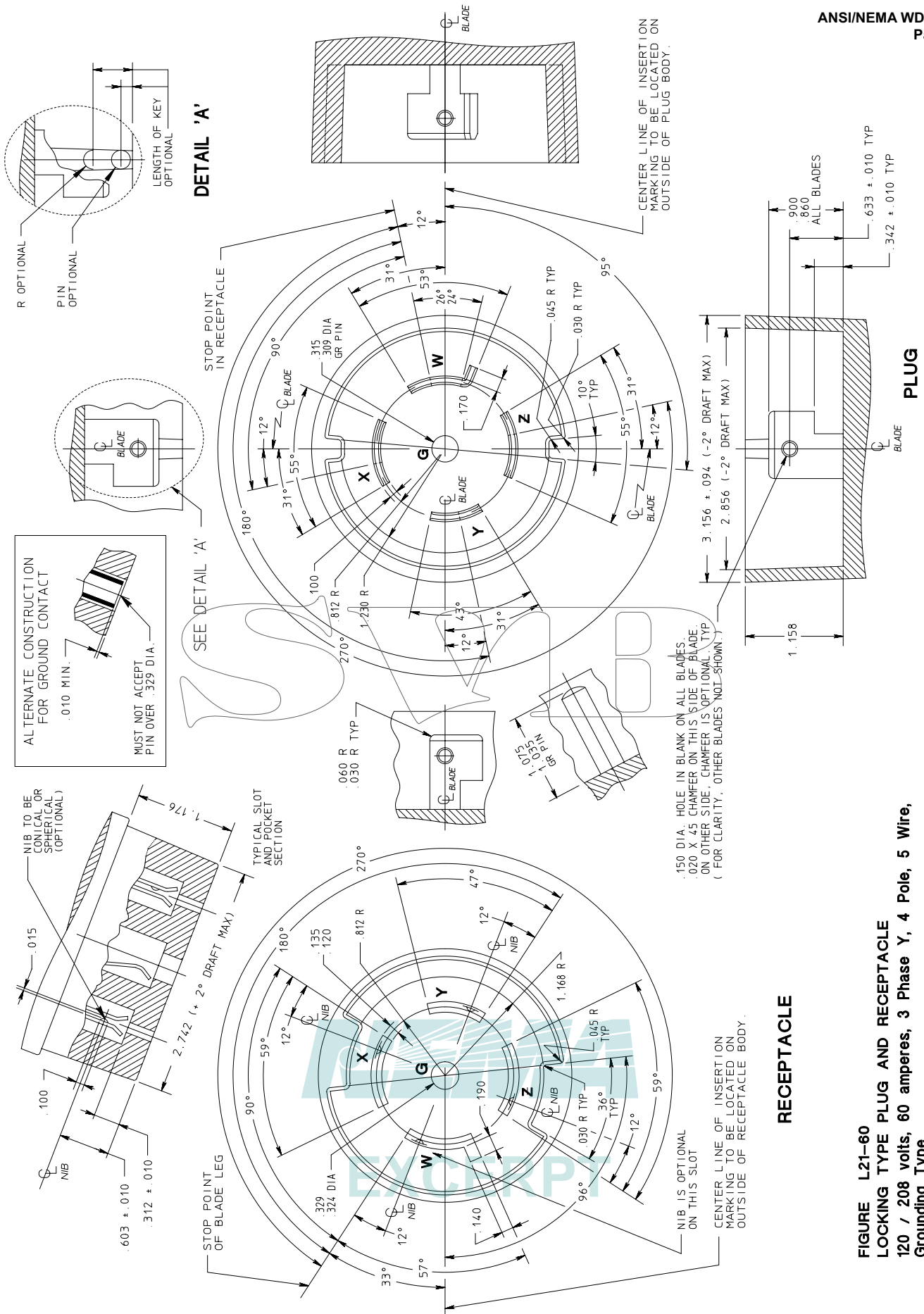


FIGURE L21-60
LOCKING TYPE PLUG AND RECEPTACLE
120 / 208 volts, 60 amperes, 3 Phase Y, 4 Pole, 5 Wire,
Grounding Type

FIGURE L22-20
LOCKING TYPE PLUG AND RECEPTACLE
277/480 volts, 20 amperes, 3 phase Y, 4 pole, 5 wire, Grounding type

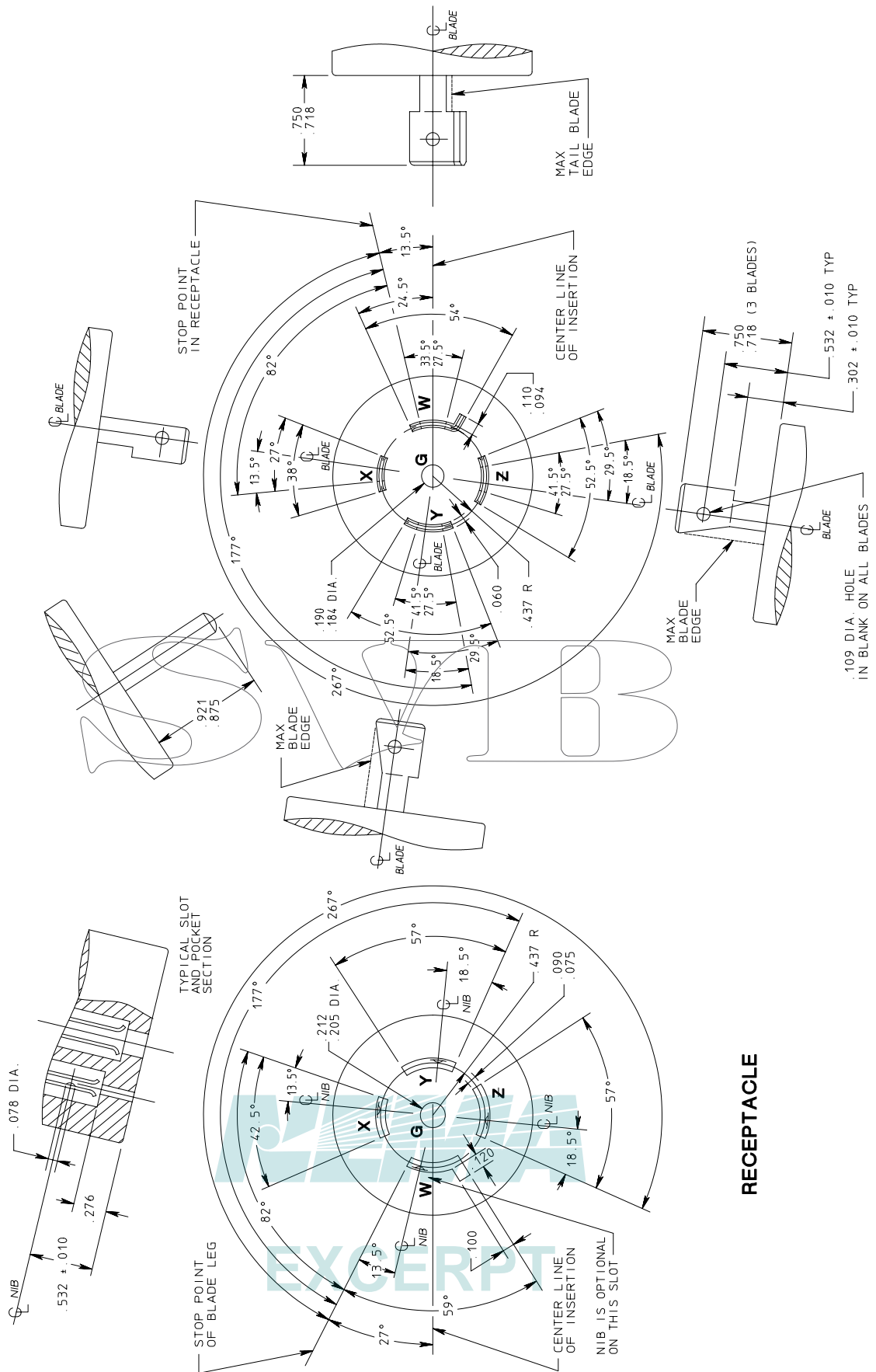
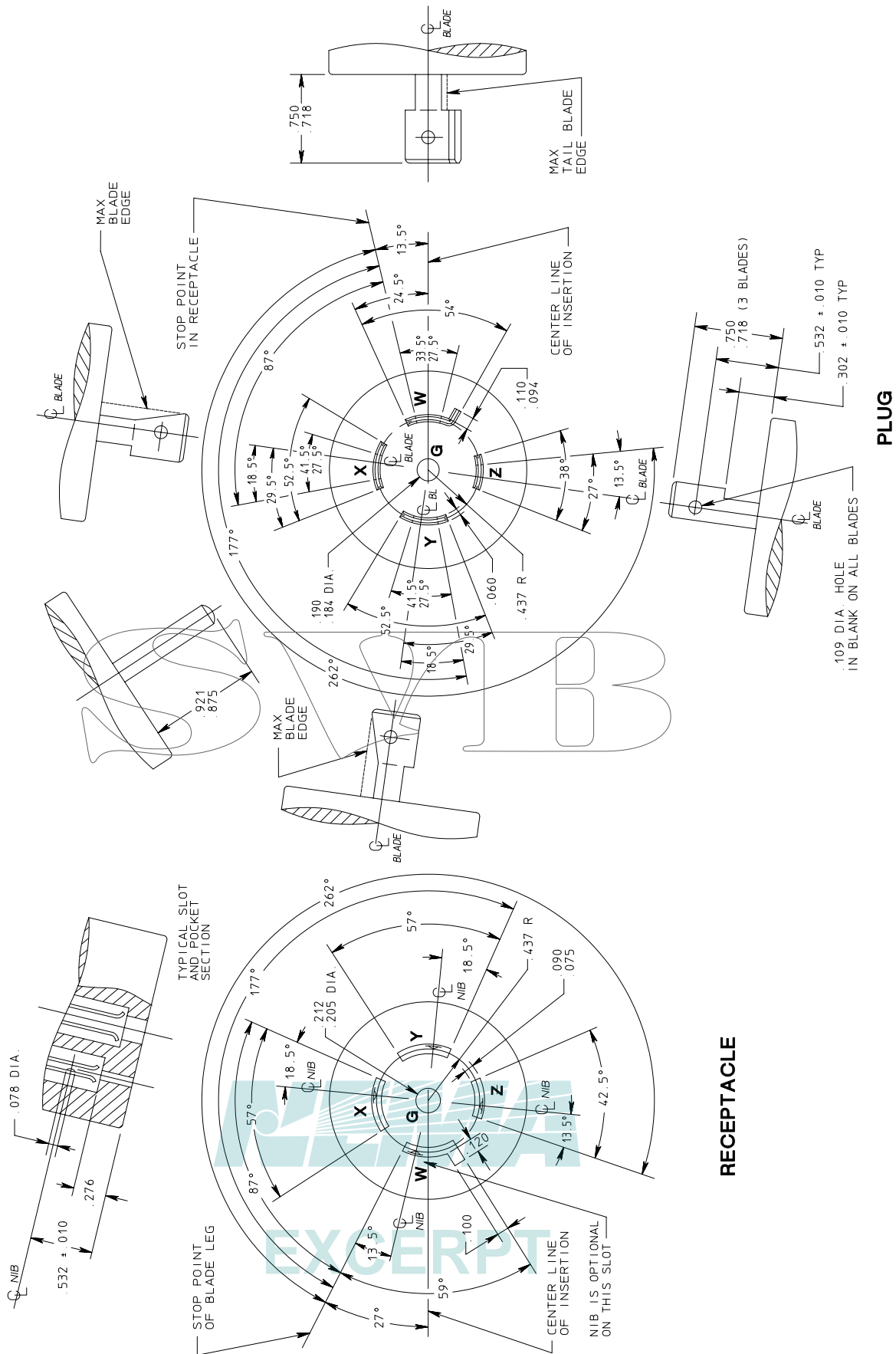
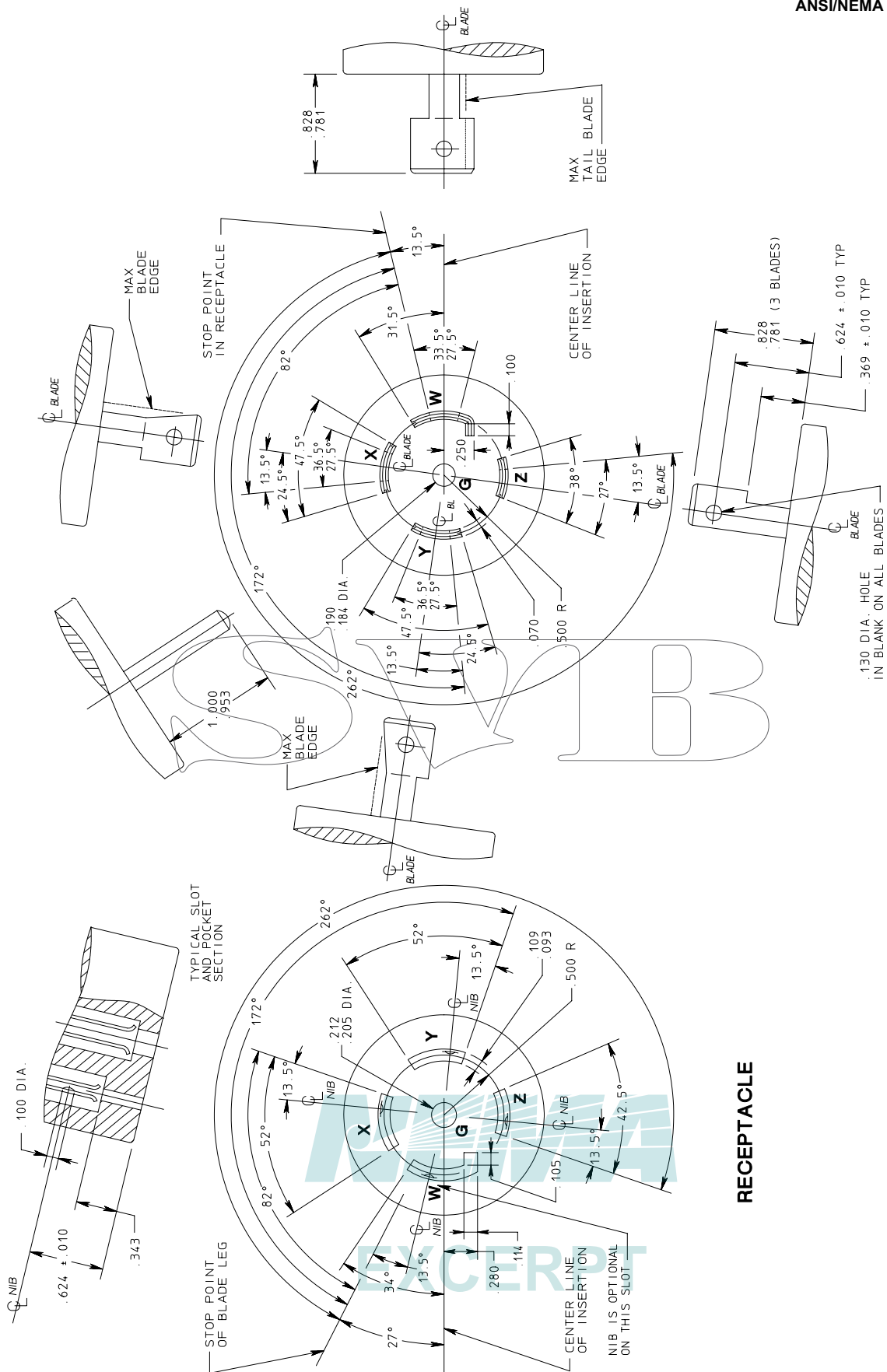


FIGURE L23-20
LOCKING TYPE PLUG AND RECEPTACLE
347/600 volts, 20 amperes, 3 phase Y, 4 pole, 5 wire, Grounding type





PLUG

RECEPTACLE

FIGURE L23-30
LOCKING TYPE PLUG AND RECEPTACLE
347/600 volts, 30 amperes, 3 phase Y, 4 pole, 5 wire, Grounding type

