

WeatherDeck® Waterproof Switch Only Panels

PN 4303 / PN 4305 / PN 4307 / PN 4309

For use where circuit protection is located off the panel

- Does not include circuit protection or backlighting
- Integrated switch guards reduce the risk of accidental switching
- Panels can be mounted in four different orientations
- Panel front rated waterproof IP67 when properly mounted with the watertight mounting gasket
- UV stabilized weather-resistant faceplate snaps on and off providing access to components and concealing mounting screws
- Square Format Label Set PN 4215 included

GUARANTEE: Blue Sea Systems stands behind its products for as long as you own them. Find detailed information at www.blueseasystems.com/about. For customer service, call 800-222-7617.

Blue Sea Systems Inc.
425 Sequoia Drive
Bellingham, WA 98226 USA

p 360.738.8230
f 360.734.4195
conductor@blueseasystems.com
www.blueseasystems.com
980800000 Rev.003

Specifications

Maximum Operating Voltage	24V DC
Maximum Operating Amperage	15A (per circuit)
Panel Cumulative Rating	30A (PN 4303)
	45A (PN 4305, PN 4307, PN 4309)
Switch Rating	15A maximum
Material: Cover	UV Resistant Thermoplastic
Panel	UL-V0 Flame Resistant Thermoplastic

Regulatory

Waterproof IP67—Protected against immersion up to 1 meter for 30 minutes

PN	Positions	Voltage	Width in (mm)	Height in (mm)	Depth in (mm)	Width Mounting Centers in (mm)	Height Mounting Centers in (mm)
4303	2	12V / 24V DC	3.88 (98.55)	2.60 (66.04)	2.50 (63.50)	3.31 (84.07)	2.04 (51.82)
4305	4	12V / 24V DC	3.88 (98.55)	4.30 (109.22)	2.50 (63.50)	3.31 (84.07)	3.74 (95.00)
4307	6	12V / 24V DC	3.88 (98.55)	6.00 (152.40)	2.50 (63.50)	3.31 (84.07)	5.44 (138.18)
4309	8	12V / 24V DC	3.88 (98.55)	7.70 (195.58)	2.50 (63.50)	3.31 (84.07)	7.14 (181.36)

Specifications subject to change. See blueseasystems.com for additional information and specifications

Installation

⚠ CAUTION ⚠

CAUTION symbol refers to a potentially hazardous situation which, if not avoided, may result in minor or moderate injury.

⚠ WARNING ⚠

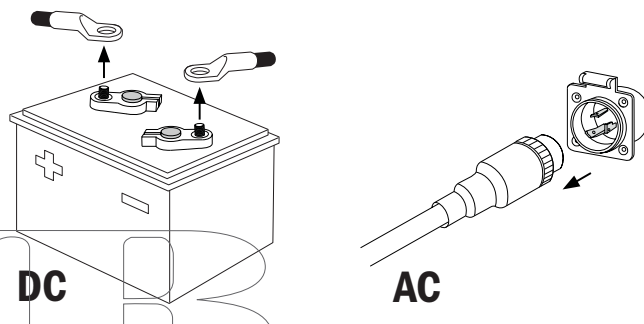
WARNING symbol refers to a potentially hazardous situation which, if not avoided, could result in death or serious injury.

⚠ CAUTION ⚠

- ✓ If you are not knowledgeable about electrical systems, consult an electrical professional.
- ✓ If the panel front is to be exposed to water, it must be properly sealed to the surface. The included gasket must be in place and the panel screwed down securely.
- ✓ Panel switches are not ignition proof—the panel must NOT be installed in an explosive environment such as a gasoline engine room or battery compartment.

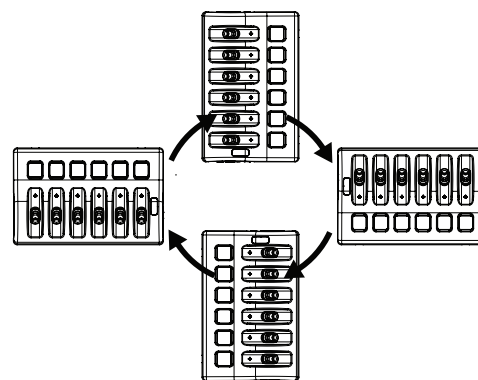
⚠ WARNING ⚠

1. Before beginning electrical installation, disconnect all AC and DC power sources.

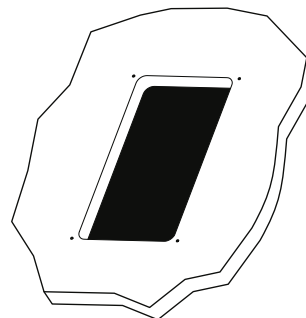


⚠ WARNING ⚠

2. Select mounting location and panel orientation away from flammable areas. Panel can be mounted in any of the four orientations shown below.

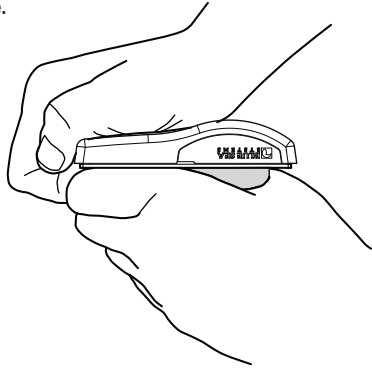


3. Cut opening with template provided.

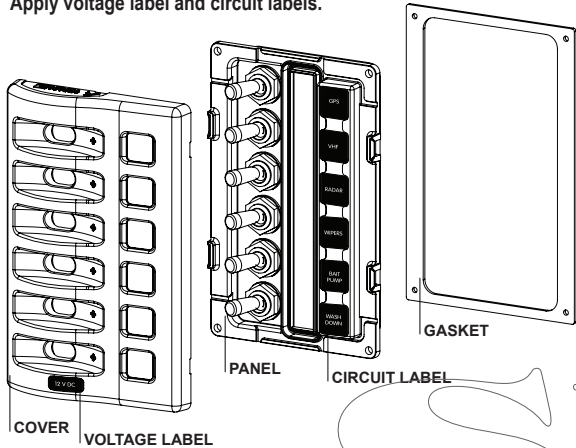


Installation (continued)

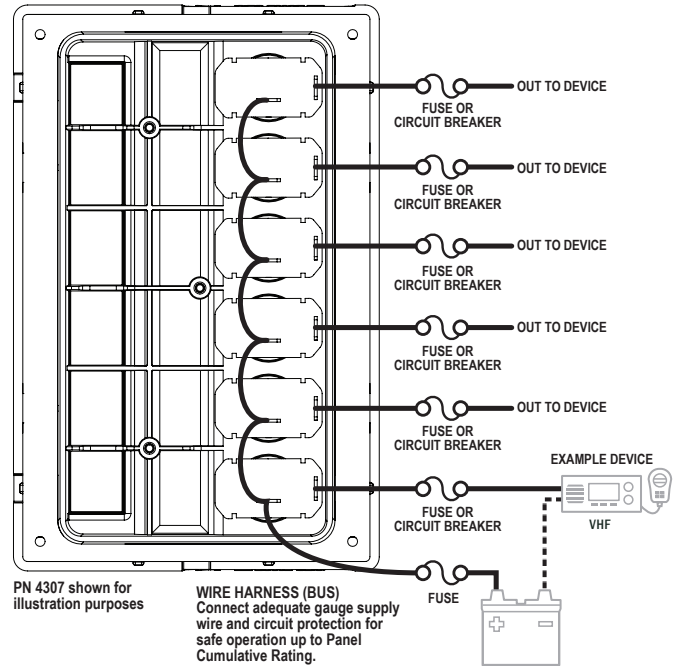
- To remove cover, apply heel of hand to label area and pull back on the cover edge.



- Apply voltage label and circuit labels.



- Make connections as per diagram below.
 - Connect + 12V DC or 24V DC to the 12 AWG wire supply harness (Bus). Use adequate gauge supply wire and circuit protection for safe operation up to Panel Cumulative Rating.
 - Connect positive side of each appliance to a switch output terminal. Connect the negative side to DC negative.



- Check that toggle switch boots are securely tightened.
- Mount panel in cutout with provided gasket and screws.

Application Example

WeatherDeck® Switch Only Panel with ST-Blade Independent Circuit Fuse Block

