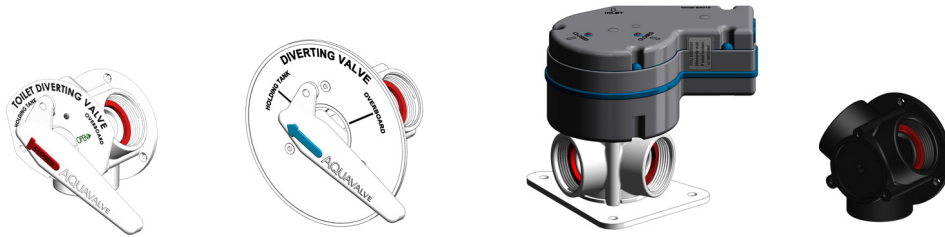


AQUAVALVE ACCESSORIES

The Tru-Design Aquavalue is the most versatile valve on the market today. A range of fittings is available to suit the variability of marine plumbing applications.

These fittings can be used on the Aquavalue, Aquavalue through Bulkhead, Electronic Aquavalue or 3 Way Connector.

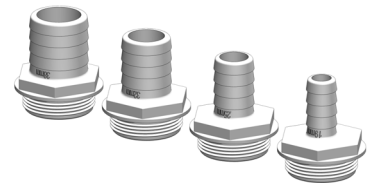


MODELS

TAILS

Straight Tails suited to standard sizes of tubing.

Part #	Description
90251	Tail 19mm 1½" BSP White
90538	Tail 19mm 1½" BSP White PKG
90262	Tail 25mm 1½" BSP White
90539	Tail 25mm 1½" BSP White PKG
90283	Tail 32mm 1½" BSP White
90540	Tail 32mm 1½" BSP White PKG
90294	Tail 38mm 1½" BSP White
90541	Tail 38mm 1½" BSP White PKG



90249	Tail 19mm 1½" BSP Black
90542	Tail 19mm 1½" BSP Black PKG
90260	Tail 25mm 1½" BSP Black
90543	Tail 25mm 1½" BSP Black PKG
90280	Tail 32mm 1½" BSP Black
90544	Tail 32mm 1½" BSP Black PKG
90288	Tail 38mm 1½" BSP Black
90545	Tail 38mm 1½" BSP Black PKG



* PKG denotes product is packaged in a plastic bag with header card. Other product is packaged loose.

THREADED CONNECTOR

The threaded connector can be used to connect the Aquavalue or 3 Way Connector to rigid PVC plumbing. The threaded connector interfaces with a PVC fitting designed for connection to steel piping (available as part of most PVC piping ranges).

Part #	Description
90461	Connector Threaded 1½" / 1½" BSP
90546	Connector Threaded 1½" / 1½" BSP PKG



PLUG

The plug can be used to block one port when parts of the system are not yet installed, or maintenance is being completed and the system still needs to be used.

Part #	Description
90237	Plug 1½" BSP White
90547	Plug 1½" BSP White PKG



90° TAILS

Angled Tails suited to the most common sizes of tubing used in marine plumbing. Tails come packaged with a Blue Seal to allow fitting to be rotated to a more suitable position if required.

Part #	Description
90259	Aquavalue 90° 25mm 1½" BSP White
90299	Aquavalue 90° 38mm 1½" BSP White
90466	Aquavalue 90° 25mm 1½" BSP Black
90293	Aquavalue 90° 38mm 1½" BSP Black



120° TAILS

Angled Tails suited to the most common sizes of tubing used in marine plumbing. Tails come packaged with a Blue Seal to allow fitting to be rotated to a more suitable position if required.

Part #	Description
90258	Aquavalue 120° 25mm 1½" BSP White
90298	Aquavalue 120° 38mm 1½" BSP White
90465	Aquavalue 120° 25mm 1½" BSP Black
90297	Aquavalue 120° 38mm 1½" BSP Black



KEY FEATURES

Feature :	
Manufactured from a glass reinforced nylon composite	High strength and light weight.
Long tail feature	The use of 2 hose clamps is recommended for secure hose fitting.
Immune to corrosion and electrolysis	Long life with no concerns over decreased performance due to corrosion.
Chemical resistant	Impervious to diesel, petrol and antifouling paints.
UV resistant	These fittings will not break down with ultraviolet light or discolour from the sun.
High quality surface finish	Will not discolour with green film as similar bronze fittings do.
Separate sealing component	Secure reliable sealing for critical sanitary applications.
Large operating temperature range	Suitable for all marine environments, from -40°C to +110°C.

SPECIFICATIONS

Tru-Design Aquavalue Accessories use a 1½" BSP parallel thread for securing the fitting. This is matched to the same thread on the Aquavalue body. The thread is not used for sealing. A thermoplastic rubber seal provides the sealing function.

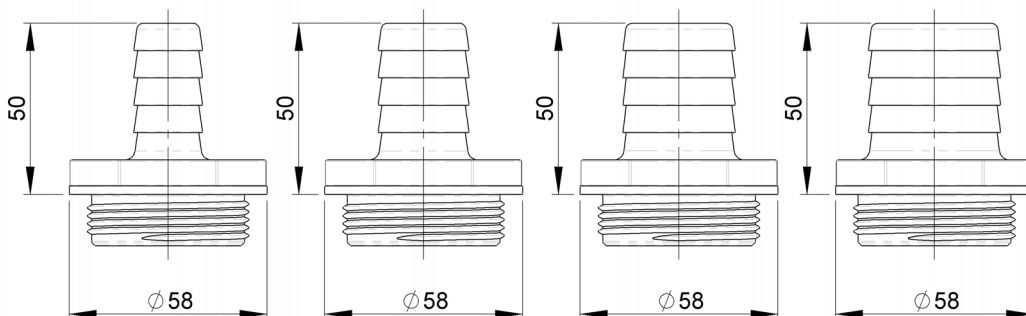
The Aquavalue and accessories are suitable for use in the USA even though they are not NPS compatible. They form a self contained unit and are not required to interface with other components.

Do not use other fittings as they may interfere with Aquavalue operation or sealing.

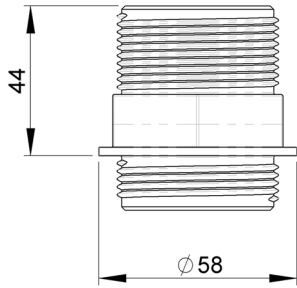
DIMENSIONS

All dimensions in mm.
All dimensions nominal.

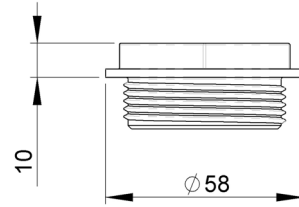
TAILS



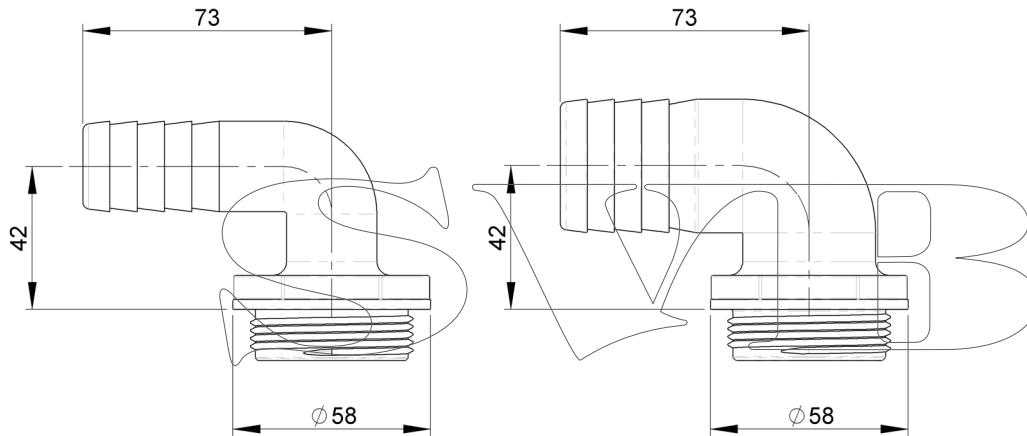
THREADED CONNECTOR



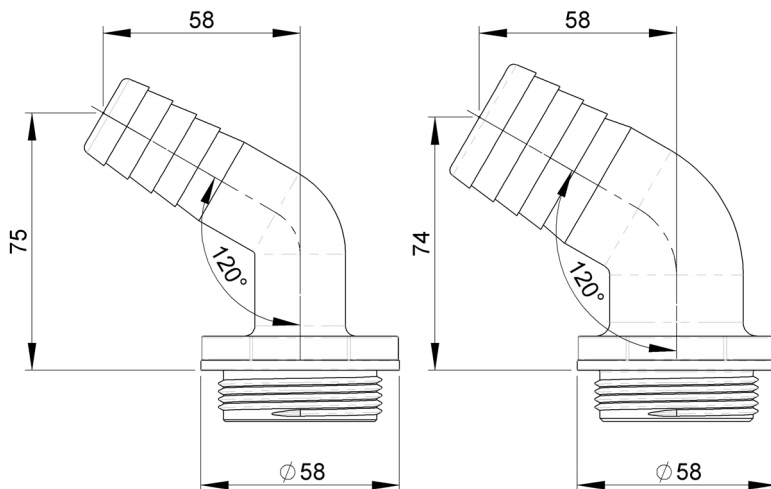
PLUG



90° TAILS



120° TAILS



INSTALLATION

Full installation instructions are supplied with the Aquavalue or 3 Way Connector.

Use of the Tru-Design Aquavalue spanner is recommended for tightening fittings. This product is supplied with all Aquavalves.

All Aquavalves and 3 Way Connectors are supplied with red seals.

No seal is supplied with the straight fittings as angle is not important.

All angled fittings are supplied with a blue seal. This allows the angled fitting to be rotated to a more suitable position if required.

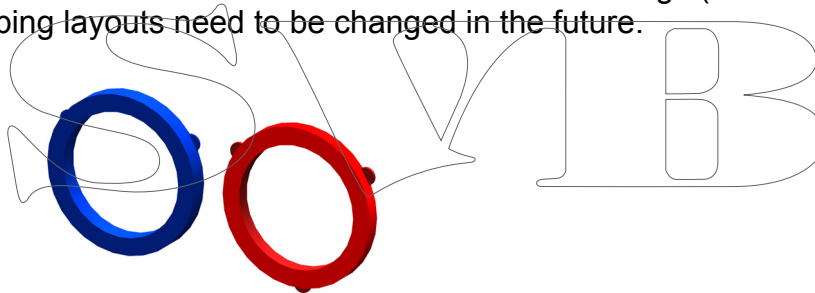
It is recommended that 2 hose clamps are used to secure the hose to the fitting.

SERVICING

As composite Fittings are immune to corrosion, minimal servicing is required.

Fittings should be checked for secure connection to hoses and attachments at regular intervals. When plumbing systems are being maintained, fittings should be inspected for insoluble buildups internally leading to reduced flows and risk of blockages.

Red and Blue Seals are used to alter the orientation of the fittings (Blue Seal is thicker). These are available if plumbing layouts need to be changed in the future.



The spanner can often be misplaced, so when changing plumbing layouts etc, a new spanner can be supplied.



Part #	Description
90317	Spanner Aquavalue
90475	Aquavalue Red Seal
90327	Aquavalue Blue Seal

Tru-Design Plastics Ltd. accepts no responsibility for Products which are improperly installed or tampered with. Although the information presented in this product information sheet is believed to be accurate and reliable, no responsibility for inaccuracies can be assumed by Tru-Design Plastics Ltd. This performance data is typical only and variations due to component manufacturing tolerances are normal. Tru-Design Plastics Ltd. reserves the right at any time to change performance characteristics or specifications without prior notice.
Tru-Design Plastics Ltd, all rights reserved.