

**EN** **Marine gas hob**  
Operating manual . . . . . 5

**DE** **Marine Gaskocher**  
Bedienungsanleitung . . . . . 17

**FR** **Réchaud à gaz pour bateaux**  
Notice d'utilisation . . . . . 30

**ES** **Hornillo de gas para  
automóviles y embarcaciones**  
Instrucciones de uso . . . . . 43

**IT** **Fornello a gas per autoveicoli  
e imbarcazioni**  
Istruzioni per l'uso . . . . . 56

**NL** **Marietiem kooktoestel op gas**  
Gebruiksaanwijzing . . . . . 69

**DA** **Marine-gasblus**  
Betjeningsvejledning . . . . . 81

**SV** **Gasolkök för marint bruk**  
Bruksanvisning . . . . . 92

**NO** **Marine gasskoker**  
Bruksanvisning . . . . . 104

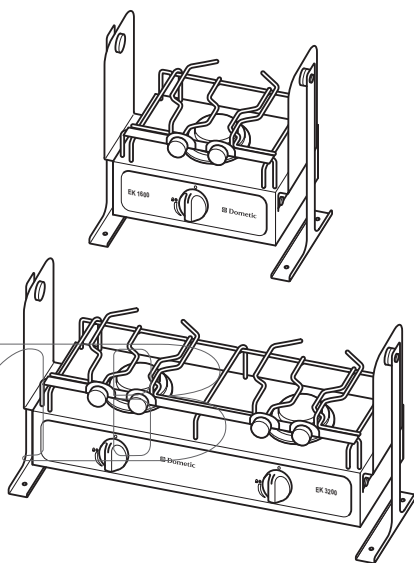
**FI** **Marine-kaasukeitin**  
Käyttöohje . . . . . 116

**RU** **Газовый варочный прибор  
для маломерных судов**  
Инструкция по эксплуатации. . . . 127

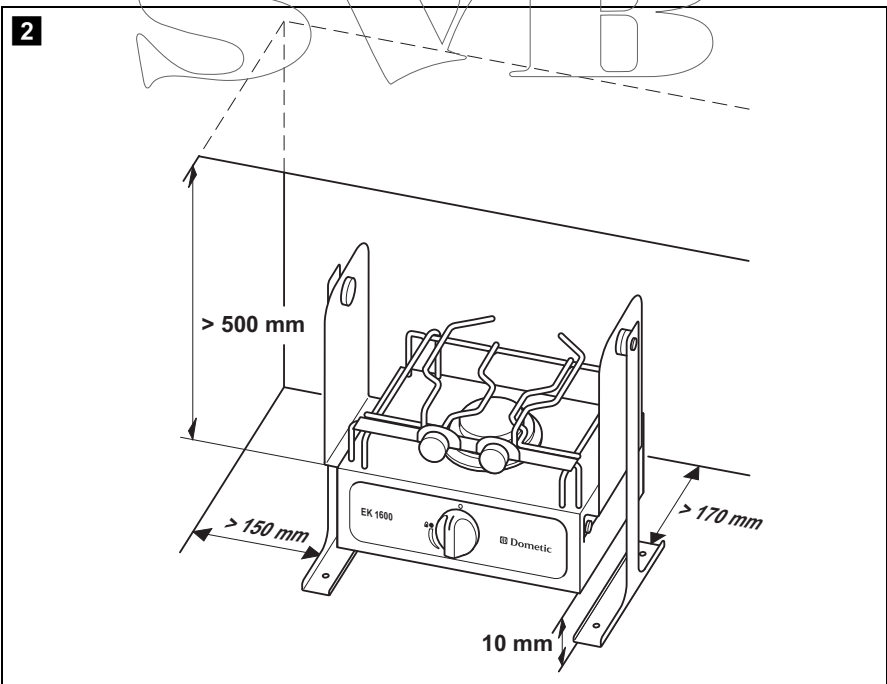
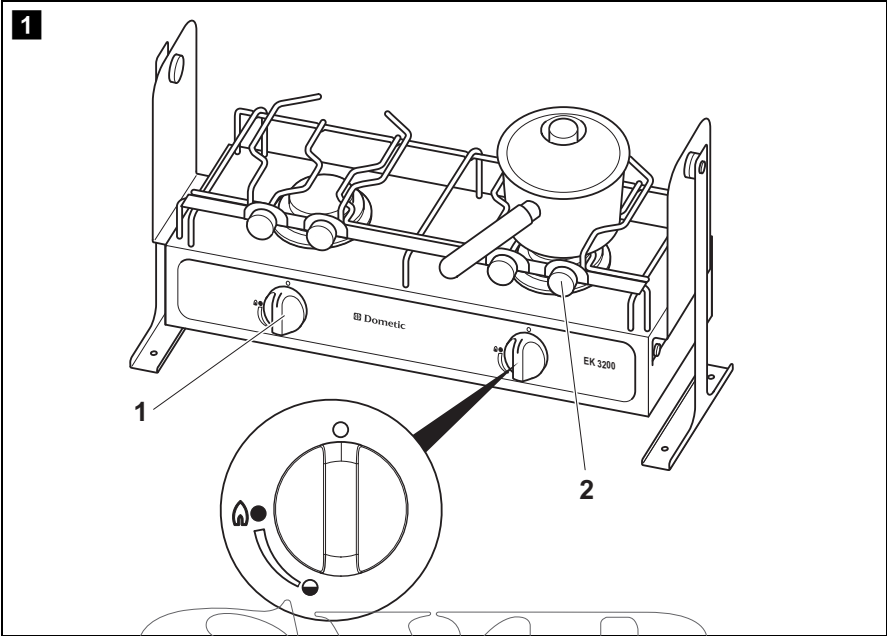
**PL** **Jachtowa kuchenka gazowa**  
Instrukcja obsługi . . . . . 140

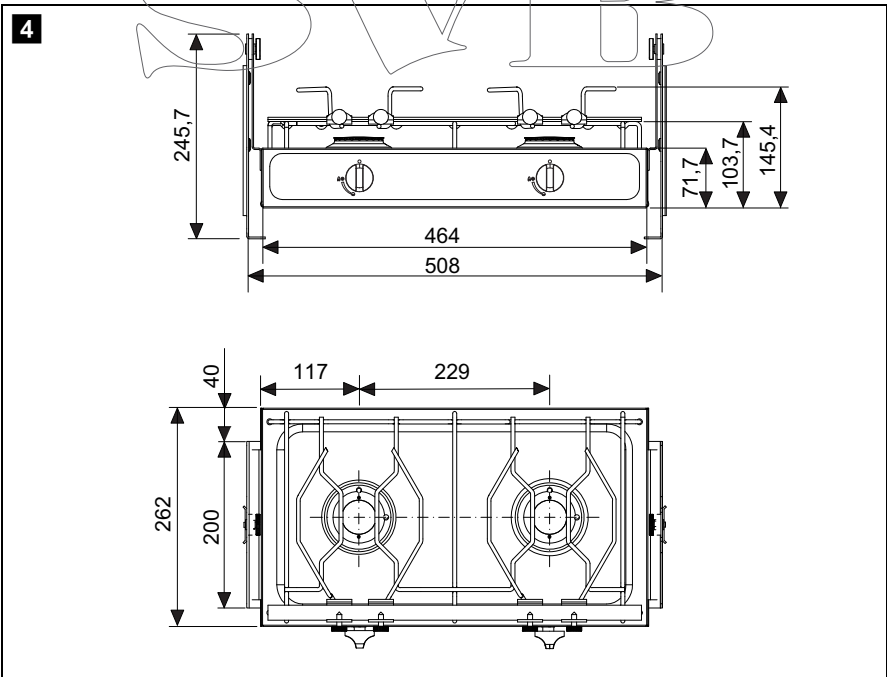
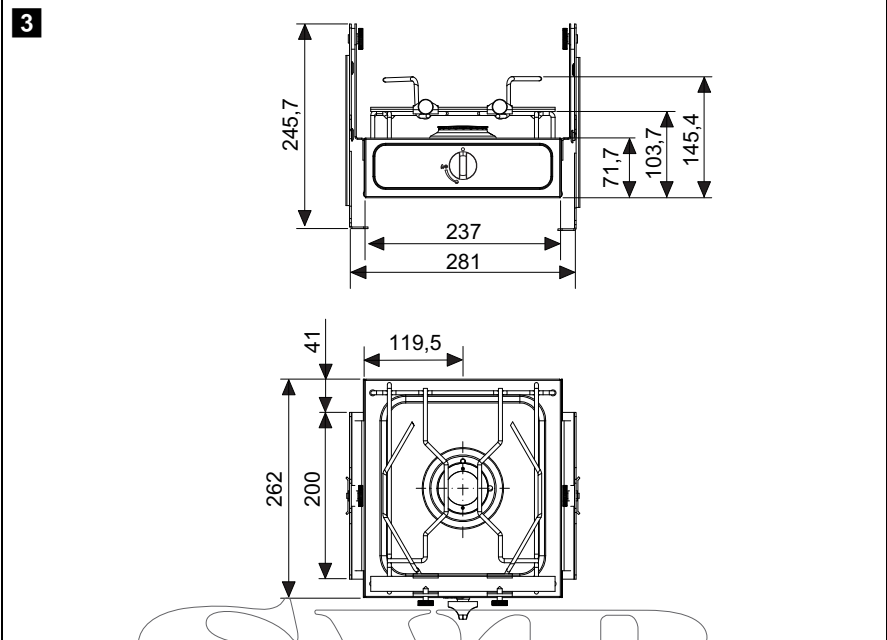
**CS** **Námořnický plynový vaříč**  
Návod k obsluze . . . . . 153

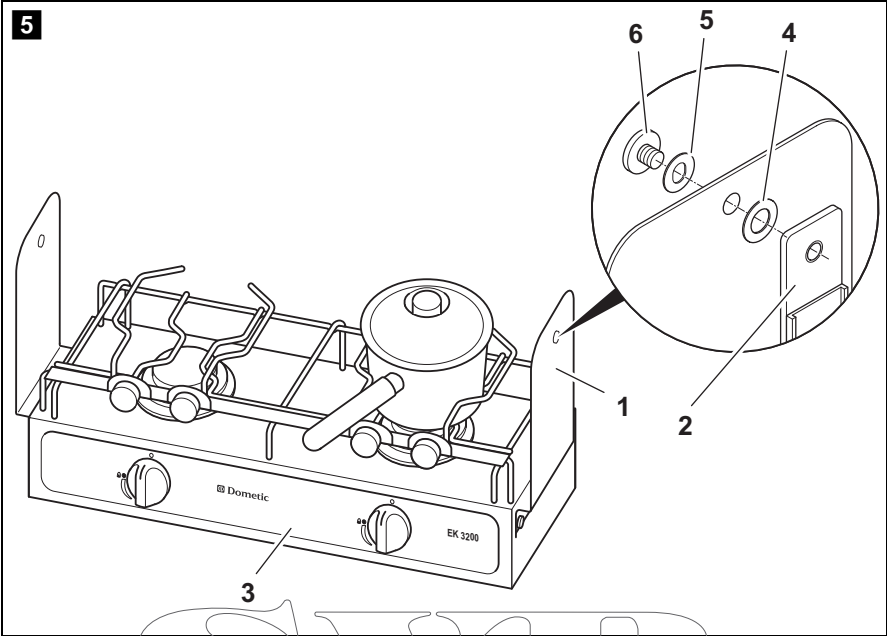
**SK** **Lodný plynový varič**  
Návod na obsluhu. . . . . 165



**EK 1600**  
**EK 3200**



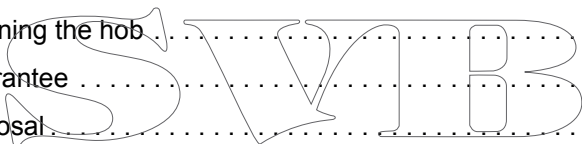




Please read this instruction manual carefully before first use, and store it in a safe place. If you pass on the product to another person, hand over this instruction manual along with it.

# Contents

1	Explanation of symbols . . . . .	5
2	General safety instructions . . . . .	6
3	Scope of delivery . . . . .	9
4	Intended use . . . . .	9
5	Technical description . . . . .	9
6	Installing the hob . . . . .	10
7	Using the hob . . . . .	12
8	Hob maintenance . . . . .	14
9	Cleaning the hob . . . . .	14
10	Guarantee . . . . .	15
11	Disposal . . . . .	15
12	Technical data . . . . .	16



## 1 Explanation of symbols



**WARNING!**

**Safety instruction:** Failure to observe this instruction can cause fatal or serious injury.



**NOTICE!**

Failure to observe this instruction can cause material damage and impair the function of the product.



**NOTE**

Supplementary information for operating the product.

- ▶ **Action:** This symbol indicates that action is required on your part. The required action is described step-by-step.
- ✓ This symbol describes the result of an action.

**fig. 1 5, page 3:** This refers to an element in an illustration. In this case, item 5 in figure 1 on page 3.

## 2 General safety instructions

The manufacturer accepts no liability for damage in the following cases:

- Faulty assembly or connection
- Damage to the product resulting from mechanical influences and excess voltage
- Alterations to the product without express permission from the manufacturer
- Use for purposes other than those described in the operating manual

### 2.1 General safety



#### **WARNING!**

- Only use category I<sub>3</sub> liquid gas (propane/butane). Do **not** use any other fuel sources.
- Keep a suitable fire extinguisher in the immediate vicinity. Ensure that the fire extinguisher is regularly checked by a specialist.
- People (including children) whose physical, sensory or mental capacities or whose lack of experience or knowledge prevent them from using this product safely should not use it without the supervision or instruction of a responsible person.



#### **NOTICE!**

- Use the hob only as intended.

## 2.2 Safety precautions when handling liquid gas



### WARNING!

- Keep combustible materials away from heating or cooking devices and other light or heat sources.
- **Danger of suffocation!**  
Ensure that the surrounding area is sufficiently ventilated before switching on the device. During operation, air vents with a free cross-section of at least 150 cm<sup>2</sup> must be present in the installation space. These vents can be closed, but must be kept open when the device is in use (see sign located above the hob).
- Compare the pressure information on the type plate with the pressure information on the propane or butane gas bottle.
- Never store liquid gas bottles in unventilated areas.
- Keep liquid gas bottles away from direct sunlight. The temperature may not exceed 50 °C.
- If you smell gas:
  - Open all windows and leave the room.
  - Do not touch any electrical devices or switches and do not use naked flames (risk of gas ignition).
  - Close the valve on the gas bottle and keep it closed until the error is rectified.
  - Never attempt to find a gas leak with a naked flame.
- The hob must not be operated in garages, on ferries or when refuelling.

## 2.3 Operating the device safely



### WARNING!

- Use long matches or a suitable lighter. The complete ignition process must be visible from above and must not be hidden by pots placed on top of the hob.  
Remove your hand quickly as soon as the burner is lit.
- Wear suitable clothing when using the hob.  
Do not wear loose, hanging clothing which may catch fire.



### NOTICE!

- Let the hob cool down to room temperature before touching it with bare hands.

- Keep the area around the hob free from fat, alcoholic substances, plastic and flammable materials (e.g. curtains, cloths or kitchen materials).
- Only use pots and pans with an even base and a diameter not larger than the grids on the hob. Pots and pans must be large enough to cover the flame, otherwise items of clothing could catch fire.  
Pots and pans of the correct size also improve the efficiency of the hob.
- Ensure that pots and pans are stable when cooking. Use the pot holder provided to ensure that pots and pans stand firmly.
- Never allow pot or pan handles to protrude over the edge of the hob. Turn the handles inwards, making sure that they are not positioned over other burners. This reduces the danger of spillage, the ignition of flammable materials and serious scalding injuries.
- Proceed with caution when heating oil or fat, as they can ignite under excessive heat.
- Only use dry pot holders to avoid steam build-up. Do not use towels or cloths as these can catch fire.
- Never leave the hob unattended during operation. Pots which boil over can cause smoke and fires.
- Set the control knob (fig. **1** 1, page 2) to the zero setting before removing the pot or pan.
- Do not use the hob to heat the room.



## 3 Scope of delivery

- Hob
- Pot holder
- Heat shields
- Gimbals
- Installation and operating manual

## 4 Intended use

EK 1600 and EK 3200 liquid gas hobs from Dometic are intended for installation in vehicles and boats.

## 5 Technical description

### 5.1 Function

The hob is made from stainless steel. Category I<sub>3</sub> liquid gas (propane/butane) is used as fuel.



### 5.2 Specifications for the device versions

The hob is available in different versions.

- **EK 1600:** Hob with one burner
- **EK 3200:** Hob with two burners

The device type can be determined from the model description on the front of the hob.

## 5.3 Control elements

No. in fig. <b>1</b> , page 2	Description
1	Control knob with three settings (zero, large flame and small flame) Turn the knob anti-clockwise to open the gas cock. Turn the knob clockwise up to the stop to close the gas cock.
2	Pot holder

## 6 Installing the hob

The hob can be installed in your kitchen worktop.

### 6.1 Selecting the installation location

When selecting the installation location, observe the following instructions:

- Select a well-ventilated location for the device.
- Ensure the following minimum clearances (fig. **2**, page 2):
  - 150 mm to the side walls
  - 170 mm to the back wall
  - 500 mm between the burner and horizontal surface above the hob
  - 10 mm between the bottom of the hob and the surface base.
- Ensure that there are no draughts in the installation location.  
If the hob is installed in an open cockpit or other exposed location, then also install an additional wind guard.
- Do **not** operate the device in rooms that are potentially explosive.
- If gimbals are used, ensure that the stove can swing freely.
- Ensure you have ample room to swing the gimballed range.

### 6.2 Installing the hob



#### **NOTICE! Risk of damage!**

Before drilling any holes, make sure that no electrical cables or other parts of the vehicle can be damaged by drilling, sawing and filing.

If you don't use gimbals, mount the stove as follows:

- Fasten the hob in place using four screws.

Mount the gimbals as follows (fig. **5**, page 4):

- Fasten the gimbal sideplates (**1**) to the lower body of the stove (**3**) using the enclosed nuts and bolts.



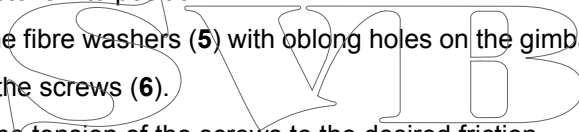
#### **NOTE**

The gimbal arms (**2**) can be turned to enable the stove (**3**) to be lowered forwards or backwards.

- Before mounting the gimbal arms (**2**), make a test by attaching them to the gimbal sideplates (**1**) in order to determine which alternative is right for your boat.

Ensure the installation is done according to fig. **5**, page 4.

- Place the fibre washers (**4**) with round holes on the gimbal arms (**2**).
- Lift the stove into position.
- Place the fibre washers (**5**) with oblong holes on the gimbal sidearms (**2**).
- Fasten the screws (**6**).
- Adjust the tension of the screws to the desired friction.



### **6.3 Connecting the hob to the gas supply**



#### **WARNING! Risk of injury!**

Only use propane or butane gas bottles with an approved pressure reduction valve and suitable top part. Compare the pressure information on the type plate with the pressure information on the propane or butane gas bottle.

Observe the following instructions during connection:

- Use gas lines made from steel ( $\varnothing 8 \times 1$  mm – welded, seamless or stainless steel), that are flush-mounted with a cutting ring screw assembly.
- Fasten the pipes on the side or rear wall of the surrounding furniture parts so that no loads are exerted on the actuators.
- The connection must only be able to be released using tools. Observe the technical regulations on DVGW worksheets G607 and G608.
- The entire pipe system must be free of stress.

- Keep the hose connection between the gas appliance and the liquid gas supply system as short as possible, and no longer than 750 mm.
  - The entire hose connection must be accessible for inspection purposes.
  - In particular, ensure that the hose does not affect the functionality of the gimbal (no stress or kinks in **all** operating conditions).
  - During operation, air vents with a free cross-section of at least 150 cm<sup>2</sup> must be present in the installation space. These vents can be closed, but must be kept open when the device is in use.
- Connect the hob to the gas supply.
- Attach a sign above the hob with the following text:
- “WARNING!  
When cooking, it is necessary to provide additional ventilation, e.g. by opening windows in the vicinity of the grill, hob or oven.  
These devices must not be used for heating the room.”
- Make sure that the hose line:
- Is not crushed or kinked.
  - Is a safe distance from the burner.
- Open the valve on the gas bottle.

**WARNING! Risk of injury!**

Never check for leaks with a naked flame or near sources of ignition.

- Check all connections with leak spray.  
There are no leaks if no bubbles form.

## 7 Using the hob

### 7.1 Lighting the hob

**WARNING! Risk of injury!**

Never leave the hob unattended during operation.

The complete ignition process must be visible from above and must not be hidden by pots placed on top of the hob.

**NOTE**

If the stove is mounted with gimbals located in down position, the stovetop must be raised to full upright position in order to remove the fuel tanks for filling.

- Open the valve on the gas bottle.
- Open the shut-off valve on the hob.
- Turn the control knob of the desired burner anti-clockwise from the zero setting to the large flame setting.
- Depress the control knob and hold it in this position.
- Light the burner with a match or suitable lighter. Remove your hand quickly as soon as the burner is lit.

After ignition, you can release the knob after approximately 10 seconds.

- Set the flame so that it does not exceed the base of the pot.
- Turn the control knob to the desired position: Large flame (1.6 kW) or small flame (ca. 0.5 kW).

## 7.2 Switching off the hob

- Turn the control knob to the zero setting.
- ✓ The burner goes out.
- Close the shut-off valve on the hob.
- If the hob is not used for long periods, then close the valve on the gas bottle.

## 7.3 Replacing the gas bottle

**WARNING! Risk of injury!**

Only change the gas bottle in well ventilated areas.  
Make sure that there are no ignition sources in the vicinity.  
Only change the gas bottle when the hob is switched off.

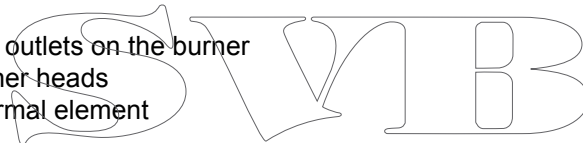
- Switch the hob off by turning the control knob clockwise to the zero setting.
- Completely close the valve on the gas bottle.
- Unscrew the valve from the bottle.

- Check the condition of the hose line.  
Replace the hose line if the material is brittle or porous.
- Tightly screw the pressure reducing valve onto the new bottle.

## 8 Hob maintenance

For safety reasons, it is necessary to have the device inspected annually by a specialist for correct functionality and necessary repairs.

- During the annual check of the device, pay particular attention to the following functions:
  - Check for gas leaks
  - Check of burn and flame stability
  - Check of fresh air supply
  - Check of safety and regulation devices (burner taps)
- Check that the installation location conforms to local regulations.
- Check the following components for contamination and clean, if necessary:
  - Gas outlets on the burner
  - Burner heads
  - Thermal element
- Check the correct distance between the burner head and thermal element (ca. 1–3 mm).



## 9 Cleaning the hob



### **NOTICE!**

Do not use any sharp or hard objects for cleaning since they may damage the device.

Only use standard cleaning agents.

- Allow the device to cool down sufficiently before cleaning it.
- Remove the grids from the hob.
- Clean the hob surface. Pay special attention to removing sticky fat and oil residue.
- Do not use a steam cleaner to clean the hob under any circumstances.

## 10 Guarantee

The statutory warranty period applies. If the product is defective, please contact your retailer or the manufacturer's branch in your country (see the back of the instruction manual for the addresses).

For repair and guarantee processing, please include the following documents when you send in the device:

- A copy of the receipt with purchasing date
- A reason for the claim or description of the fault

## 11 Disposal

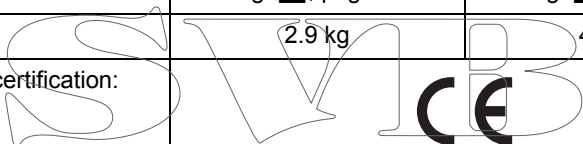
- Place the packaging material in the appropriate recycling waste bins wherever possible.



If you wish to finally dispose of the product, ask your local recycling centre or specialist dealer for details about how to do this in accordance with the applicable disposal regulations.

SVIB

# 12 Technical data

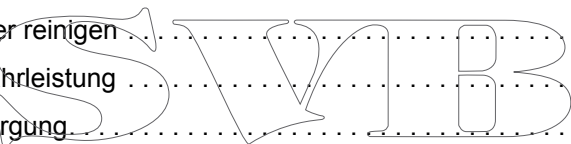
	Dometic EK 1600	Dometic EK 3200
Item no.:	9103300400	9103300401
Gas consumption:	115 g/h	230 g/h
Gas category:	Category I <sub>3</sub> , propane/butane	
Connection pressure:	AT, DE, EE, LT, LV, MT, PL: 30 mbar BE, CH, ES, FR, GB, GR, IE, IT, LU: 28 – 30/37 mbar CY, CZ, DK, FI, HU, IS, NL, NO, SE, SI, SK: 28 – 30 mbar	
Number of burners:	1	2
Burner output:	1600 W	3200 W
Cooking time for 1 litre of water:	Approx. 10 min. (depending on the ambient conditions and pot used)	
Dimensions:	fig. <b>3</b> , page 3	fig. <b>4</b> , page 3
Weight:	2.9 kg	4.2 kg
Inspection/certification:		



**Bitte lesen Sie diese Anleitung vor der Inbetriebnahme sorgfältig durch und bewahren Sie sie auf. Geben Sie sie im Falle einer Weitergabe des Produktes an den Nutzer weiter.**

# Inhalt

1	Erklärung der Symbole .....	17
2	Allgemeine Sicherheitshinweise .....	18
3	Lieferumfang .....	21
4	Bestimmungsgemäßer Gebrauch .....	21
5	Technische Beschreibung .....	21
6	Kocher einbauen .....	22
7	Kocher verwenden .....	25
8	Kocher warten .....	27
9	Kocher reinigen .....	27
10	Gewährleistung .....	28
11	Entsorgung .....	28
12	Technische Daten .....	29



## 1 Erklärung der Symbole



**WARNUNG!**

**Sicherheitshinweis:** Nichtbeachtung kann zu Tod oder schwerer Verletzung führen.



**ACHTUNG!**

Nichtbeachtung kann zu Materialschäden führen und die Funktion des Produktes beeinträchtigen.



**HINWEIS**

Ergänzende Informationen zur Bedienung des Produktes.

- ▶ **Handlung:** Dieses Symbol zeigt Ihnen, dass Sie etwas tun müssen. Die erforderlichen Handlungen werden Schritt für Schritt beschrieben.
- ✓ Dieses Symbol beschreibt das Ergebnis einer Handlung.

**Abb. 1 5, Seite 3:** Diese Angabe weist Sie auf ein Element in einer Abbildung hin, in diesem Beispiel auf „Position 5 in Abbildung 1 auf Seite 3“.

## 2 Allgemeine Sicherheitshinweise

Der Hersteller übernimmt in folgenden Fällen keine Haftung für Schäden:

- Montage- oder Anschlussfehler
- Beschädigungen am Produkt durch mechanische Einflüsse und Überspannungen
- Veränderungen am Produkt ohne ausdrückliche Genehmigung vom Hersteller
- Verwendung für andere als die in der Anleitung beschriebenen Zwecke

### 2.1 Grundlegende Sicherheit



#### **WARNUNG!**

- Verwenden Sie ausschließlich Flüssiggas der Kategorie I<sub>3</sub> (Propan/Butan). Verwenden Sie **keine** anderen Brennstoffe.
- Bringen Sie einen geeigneten Feuerlöscher in Reichweite an. Sorgen Sie dafür, dass der Feuerlöscher in regelmäßigen Abständen von einem Fachmann überprüft wird.
- Personen (einschließlich Kinder), die aufgrund ihrer physischen, sensorischen oder geistigen Fähigkeiten oder ihrer Unerfahrenheit oder Unkenntnis nicht in der Lage sind, das Produkt sicher zu benutzen, sollten dieses Produkt nicht ohne Aufsicht oder Anweisung durch eine verantwortliche Person nutzen.



#### **ACHTUNG!**

- Benutzen Sie den Kocher nur zu seinem bestimmungsgemäßen Gebrauch.

## 2.2 Sicherheit beim Umgang mit Flüssiggas



### WARNUNG!

- Halten Sie brennbare Stoffe von Heiz- und Kochgeräten sowie anderen Licht- und Wärmequellen fern.
- **Erstickungsgefahr!**  
Sorgen Sie vor dem Einschalten des Geräts dafür, dass der Bereich ausreichend belüftet ist. Während des Betriebs müssen Lüftungsöffnungen mit einem freien Querschnitt von mindestens 150 cm<sup>2</sup> im Aufstellungsraum vorhanden sein. Diese Öffnungen können verschließbar sein, müssen aber bei Betrieb der Brennstelle geöffnet werden (siehe Hinweisschild, angebracht über dem Kocher).
- Vergleichen Sie die Druckangabe auf dem Typenschild mit der Druckangabe auf der Propan- oder Butangasflasche.
- Bewahren Sie Flüssiggasflaschen niemals an unbelüfteten Orten auf.
- Schützen Sie Flüssiggasflaschen vor direkter Sonneneinstrahlung. Die Temperatur darf 50 °C nicht überschreiten.
- Wenn Sie Gasgeruch wahrnehmen:
  - Öffnen Sie alle Fenster und verlassen Sie den Raum.
  - Betätigen Sie keine elektrische Einrichtung und vermeiden Sie die Benutzung offener Flammen, die das Gas entzünden können.
  - Schließen Sie das Gasflaschenventil und lassen Sie es geschlossen, bis der Fehler behoben wurde.
  - Versuchen Sie niemals das Leck mit einer offenen Flamme zu finden.
- Der Kocher darf beim Tanken und in Garagen und auf Fähren nicht betrieben werden.

## 2.3 Sicherheit beim Betrieb des Geräts



### WARNUNG!

- Benutzen Sie lange Zündhölzer oder einen entsprechenden Anzünder. Der gesamte Zündvorgang muss von oben sichtbar sein und darf nicht durch aufgestellte Töpfe verdeckt werden. Ziehen Sie schnell Ihre Hand zurück, sobald der Brenner gezündet hat.

- Tragen Sie beim Benutzen des Kochers entsprechende Kleidung.  
Tragen Sie keine lose hängenden Kleidungsstücke, die Feuer fangen könnten.

**ACHTUNG!**

- Lassen Sie den Kocher bis auf die Umgebungstemperatur abkühlen, bevor Sie ihn mit den bloßen Händen berühren.
- Halten Sie den Bereich um den Kocher frei von Fett, alkoholischen Substanzen, Plastikmaterial und brennbarem Stoff (z. B. Vorhänge, Handtücher, Küchenmaterialien).
- Benutzen Sie nur Töpfe und Pfannen mit ebenem Boden und einem Durchmesser, der nicht größer ist als das auf dem Kocher befindliche Topfrost. Die Töpfe und Pfannen sollten so groß sein, dass sie die Flammen abdecken. Werden die Flammen nicht abgedeckt, können sich Kleidungsstücke entzünden. Darüber hinaus verbessern Töpfe und Pfannen der richtigen Größe die Wirtschaftlichkeit.
- Achten Sie beim Kochen darauf, dass die Töpfe und Pfannen sicher stehen. Verwenden Sie für einen sicheren Stand die mitgelieferten Topfhalter.
- Lassen Sie die Griffe von Töpfen oder Pfannen niemals über den Kocher hinausragen. Drehen Sie die Griffe nach innen – aber so, dass sie sich nicht über anderen Brennern befinden. Damit wird die Gefahr des Verschüttens, der Entzündung von brennbaren Stoffen und schwerer Verbrennungen verringert.
- Gehen Sie vorsichtig vor, wenn Sie Fett oder Öl erhitzen. Fett und Öl können sich bei zu großer Hitze entzünden.
- Benutzen Sie nur trockene Topflappen, um die Dampfbildung zu vermeiden. Benutzen Sie anstelle von Topflappen keine Handtücher o. ä., da diese Feuer fangen könnten.
- Betreiben Sie den Kocher niemals unbeaufsichtigt. Überkochende Töpfe können Rauch und Brände verursachen.
- Stellen Sie den Regler (Abb. **1** 1, Seite 2) in die Nullstellung (0), bevor Sie den Topf bzw. die Pfanne herunternehmen.
- Benutzen Sie den Kocher nicht zum Heizen des Raums.

### 3 Lieferumfang

- Kocher
- Topfhalter
- Hitzeschilder
- Kardanaufhängung
- Einbau- und Bedienungsanleitung

### 4 Bestimmungsgemäßer Gebrauch

Die Flüssiggas-Kocher der Modellreihen EK 1600 und EK 3200 von Dometic sind für den Einbau in Kraftfahrzeugen und Booten vorgesehen.

### 5 Technische Beschreibung

#### 5.1 Funktion

Der Kocher besteht aus Edelstahl. Als Brennstoff wird Flüssiggas der Kategorie I<sub>3</sub> (Propan/Butan) verwendet.

#### 5.2 Spezifikationen der Gerätevarianten

Der Kocher ist in verschiedenen Ausführungen erhältlich.

- **EK 1600:** Kocher mit einem Brenner
- **EK 3200:** Kocher mit zwei Brennern

Ihren Gerätetyp können Sie anhand der Modellbezeichnung ermitteln, die sich vorne auf dem Kocher befindet.

## 5.3 Bedienelemente

Nr. in Abb. <b>1</b> , Seite 2	Beschreibung
1	Regler, in drei Positionen einstellbar (Nullstellung, Großstellung, Kleinstellung) Drehen gegen den Uhrzeigersinn öffnet den Gashahn. Drehen im Uhrzeigersinn zum Anschlag schließt den Gashahn.
2	Topfhalter

## 6 Kocher einbauen

Sie können den Kocher in die Arbeitsplatte Ihrer Küche einbauen.

### 6.1 Einbauort auswählen

Beachten Sie bei der Wahl des Einbauorts folgende Hinweise:

- Wählen Sie einen gut belüfteten Ort für das Gerät aus.
- Gewährleisten Sie einen Mindestabstand (Abb. **2**, Seite 2) von
  - 150 mm zu den seitlichen Wänden
  - 170 mm zur hinteren Wand
  - 500 mm zwischen dem Brenner und der horizontalen Fläche über dem Kocher
  - 10 mm zwischen Kocherunterseite und Standfläche
- Achten Sie darauf, dass am Montageort kein Durchzug entsteht. Wenn Sie den Kocher in ein offenes Cockpit oder andere offene Stellen einbauen, montieren Sie zusätzlich einen Windschutz.
- Betreiben Sie das Gerät **nicht** in explosionsgefährdeten Räumen.
- Wenn Kardanaufhängungen verwendet werden, ist sicherzustellen, dass der Kocher frei schwingen kann.
- Lassen Sie reichlich Platz für die Schwingbewegungen der Kardanaufhängung.

## 6.2 Kocher einbauen



### **ACHTUNG! Beschädigungsgefahr!**

Bevor Sie irgendwelche Bohrungen vornehmen, stellen Sie sicher, dass keine elektrischen Kabel oder andere Teile des Fahrzeugs durch Bohren, Sägen und Feilen beschädigt werden.

So bauen Sie den Kocher ein, wenn Sie keine Kardanaufhängung verwenden:

- Befestigen Sie den Kocher mit vier Schrauben.

So montieren Sie die Kardanaufhängungen (Abb. **5**, Seite 4):

- Befestigen Sie die Seitenplatten der Kardanaufhängung (1) am unteren Gehäuseteil des Kochers (3) mit den beiliegenden Muttern und Schrauben.



### **HINWEIS**

Die Aufhängungsbügel (2) sind drehbar, sodass der Kocher (3) nach vorne oder hinten gesenkt werden kann.

- Bevor Sie die Aufhängungsbügel (2) montieren, bringen Sie sie probe- weise an den Seitenplatten der Aufhängung (1) an. Auf diese Weise kön- nen Sie feststellen, welche Variante sich für Ihr Boot am besten eignet. Vergewissern Sie sich, dass der Einbau gemäß Abb. **5**, Seite 4 erfolgt.
- Bringen Sie die Kunststoffscheiben (4) mit der Rundbohrung an den Aufhängungsbügeln (2) an.
- Heben Sie den Kocher in die richtige Position.
- Bringen Sie die Kunststoffscheiben (5) mit den Langbohrungen an den Seitenarmen der Aufhängung (2) an.
- Ziehen Sie die Schrauben (6) an.
- Ziehen Sie die Schrauben nur so fest, wie es für die gewünschte Funktion erforderlich ist.

### 6.3 Kocher an die Gasversorgung anschließen

**WARNUNG! Verletzungsfahr!**

Verwenden Sie nur Propan- oder Butangasflaschen mit geprüftem Druckreduzierventil und passendem Kopfstück. Vergleichen Sie die Druckangabe auf dem Typenschild mit der Druckangabe auf der Propan- oder Butangasflasche.

Beachten Sie beim Anschluss folgende Hinweise:

- Verwenden Sie eine Gasleitung aus Stahlrohr  $\varnothing 8 \times 1\text{mm}$  (geschweißt, nahtloser Stahl oder nichtrostender Stahl), die Sie mittels Schneidringverschraubung dicht montieren.
  - Befestigen Sie die Rohre so an einer Seiten- oder Rückwand der umgebenden Möbelteile, dass keine Kraftübertragung auf die Stellglieder erfolgt.
  - Die Verbindung darf nur mit Werkzeug lösbar sein. Beachten Sie dabei die technischen Regeln der DVGW-Arbeitsblätter G607 und G608.
  - Die gesamte Verrohrung muss spannungsfrei sein.
  - Halten Sie die Länge der Schlauchverbindung zwischen dem Gasgerät und der Flüssiggasversorgungsanlage so kurz wie möglich und nicht länger als 750 mm.
  - Die Schlauchverbindung muss über ihre gesamte Länge zur Überprüfung zugänglich sein.
  - Achten Sie bei der Schlauchverbindung besonders darauf, dass der Schlauch die Funktion der Kardanaufhängung nicht beeinträchtigt (unter **allen** Betriebsbedingungen: keine Zugbelastung oder Knicke).
  - Während des Betriebs müssen Lüftungsöffnungen mit einem freien Querschnitt von mindestens  $150\text{ cm}^2$  im Aufstellungsraum vorhanden sein. Diese Öffnungen können verschließbar sein, müssen aber bei Betrieb der Brennstelle geöffnet werden.
- Verbinden Sie den Kocher mit der Gasversorgung.
- Bringen Sie über dem Kocher ein Hinweisschild mit folgendem Text an:
- „**WARNUNG!**  
Beim Kochen ist es erforderlich, für zusätzliche Lüftung zu sorgen, z. B. durch das Öffnen von Fenstern in der Nähe des Grill-, Koch-, und Backgerätes.  
Diese Geräte dürfen nicht zur Raumheizung verwendet werden.“



- Achten Sie darauf, dass die Schlauchleitung
  - nicht eingeklemmt oder abgeknickt wurde,
  - in sicherem Abstand vom Brenner liegt.
- Öffnen Sie das Ventil der Gasflasche.



### **WARNUNG! Verletzungsgefahr!**

Prüfen Sie die Dichtheit niemals bei offener Flamme oder in der Nähe von Zündquellen.

- Prüfen Sie alle Verbindungen mit Lecksuchspray auf Dichtheit. Die Dichtheit ist gewährleistet, wenn sich keine Bläschen bilden.

## 7 Kocher verwenden

### 7.1 Kocher anzünden



### **WARNUNG! Verletzungsgefahr!**

Betreiben Sie den Kocher nicht unbeaufsichtigt betrieben werden. Der gesamte Zündvorgang muss von oben sichtbar sein und darf nicht durch aufgestellte Töpfe verdeckt werden.



### **HINWEIS**

Wenn der Kocher mit der Kardanaufhängung in der niedrigsten Position angebracht ist, muss das Kochfeld vollständig in die aufrechte Lage geklappt werden, um die Brennstoffbehälter zum Befüllen zu entnehmen.

- Öffnen Sie das Ventil der Gasflasche.
- Öffnen Sie das Absperrventil zum Kocher.
- Drehen Sie den Regler der gewünschten Brennstelle gegen den Uhrzeigersinn von der Nullstellung (0) auf die Großstellung (große Flamme).
- Drücken Sie den Regler ein und halten Sie ihn in dieser Position.
- Zünden Sie den Brenner mit einem Zündholz oder einer anderen geeigneten Zündeinrichtung an. Ziehen Sie Ihre Hand zurück, sobald der Brenner gezündet hat.

Wenn die Brennstelle entzündet wurde, können Sie den Drehknopf nach ca. 10 Sekunden loslassen.

- Stellen Sie die Flamme so ein, dass sie nicht über die Fläche des Topfes hinausgeht.
- Stellen Sie den Regler auf die gewünschte Position: Großstellung (1,6 kW) oder Kleinstellung (ca. 0,5 kW).

## 7.2 Kocher ausschalten

- Stellen Sie den Regler in die Nullstellung.
- ✓ Die Brennstelle erlischt.
- Schließen Sie das Absperrventil zum Kocher.
- Wenn Sie den Kocher für längere Zeit außer Betrieb nehmen, schließen Sie das Ventil der Gasflasche.

## 7.3 Gasflasche auswechseln



### **WARNUNG! Verletzungsgefahr!**

Wechseln Sie die Gasflasche nur bei guter Belüftung aus.

Achten Sie darauf, dass keine Zündquelle in der Nähe ist.

Wechseln Sie die Gasflasche nur bei ausgeschaltetem Kocher.

- Schalten Sie den Kocher aus, indem Sie den Regler im Uhrzeigersinn in die Nullstellung drehen.
- Schließen Sie das Ventil der Gasflasche ganz.
- Schrauben Sie das Ventil von der Gasflasche ab.
- Prüfen Sie den Zustand der Schlauchleitung.  
Wechseln Sie die Schlauchleitung aus, falls das Material spröde oder porös ist.
- Schrauben Sie das Druckreduzierventil auf der neuen Flasche fest.

## 8 Kocher warten

Aus Sicherheitsgründen ist es nötig, dass das Gerät jährlich von einem Sachkundigen auf seine einwandfreie Funktion hin überprüft wird und eventuelle Mängel beseitigt werden.

- ▶ Kontrollieren Sie bei der jährlichen Überprüfung des Gerätes insbesondere folgende Funktionen:
  - Prüfung der Gasdichtheit
  - Prüfung der Brennsicherheit und Flammstabilität.
  - Prüfung der Frischluftzufuhr.
  - Prüfung der Sicherheits- und Regeleinrichtungen (Brennstellenhähne).
- ▶ Kontrollieren Sie, ob der Aufstellungsraum mit den örtlich geltenden Vorschriften übereinstimmt.
- ▶ Prüfen Sie die folgenden Bauteile auf Verschmutzung und führen Sie eventuell eine Reinigung durch:
  - Gasaustrittsöffnungen der Brenner,
  - Brennerköpfe,
  - Thermoelement.
- ▶ Prüfen Sie, ob der richtige Abstand zwischen Brennerkopf und Thermoelement (ca. 1 – 3 mm) eingestellt ist.

## 9 Kocher reinigen



### **ACHTUNG!**

Keine scharfen oder harten Mittel zur Reinigung verwenden, da dies zu einer Beschädigung des Gerätes führen kann.  
Verwenden Sie handelsübliche Reinigungsmittel.

- ▶ Lassen Sie das Gerät abkühlen lassen, bevor Sie es reinigen.
- ▶ Nehmen Sie das Topfrost vom Kocher.
- ▶ Reinigen Sie die Kocheroberfläche. Entfernen Sie insbesondere klebrige Fett- und Ölrückstände.
- ▶ Benutzen Sie auf keinen Fall einen Dampfstrahlreiniger zum Reinigen des Kochers.

## 10 Gewährleistung

Es gilt die gesetzliche Gewährleistungsfrist. Sollte das Produkt defekt sein, wenden Sie sich bitte an Ihren Fachhändler oder an die Niederlassung des Herstellers in Ihrem Land (Adressen siehe Rückseite der Anleitung).

Zur Reparatur- bzw. Gewährleistungsbearbeitung müssen Sie folgende Unterlagen mitschicken:

- eine Kopie der Rechnung mit Kaufdatum,
- einen Reklamationsgrund oder eine Fehlerbeschreibung.

## 11 Entsorgung


- Geben Sie das Verpackungsmaterial möglichst in den entsprechenden Recycling-Müll.



Wenn Sie das Produkt endgültig außer Betrieb nehmen, informieren Sie sich bitte beim nächsten Recyclingcenter oder bei Ihrem Fachhändler über die zutreffenden Entsorgungsvorschriften.

SVMB

## 12 Technische Daten

	Dometic EK 1600	Dometic EK 3200
Art.Nr.:	9103300400	9103300401
Gasverbrauch:	115 g/h	230 g/h
Gaskategorie:	Kategorie I <sub>3</sub> , Propan/Butan	
Anschlussdruck:	AT, DE EE, LT, LV, MT, PL: 30 mbar BE, CH, ES, FR, GB, GR, IE, IT, LU: 28 – 30/37 mbar CY, CZ, DK, FI, HU, IS, NL, NO, SE, SI, SK: 28 – 30 mbar	
Anzahl der Brenner:	1	2
Brennerleistung:	1600 W	3200 W
Kochzeit für 1 l Wasser:	ca. 10 min (abhängig von den Umgebungsbedingungen und dem benutztem Topf )	
Abmessungen:	Abb. <b>3</b> , Seite 3	Abb. <b>4</b> , Seite 3
Gewicht:	2,9 kg	4,2 kg
Prüfung/Zertifikat:		

**Veillez lire ce manuel attentivement avant de mettre l'appareil en service et conservez-le. En cas de passer le produit, veuillez le transmettre au nouvel acquéreur.**

## Sommaire

1	Explication des symboles . . . . .	30
2	Consignes générales de sécurité . . . . .	31
3	Contenu de la livraison . . . . .	34
4	Usage conforme . . . . .	34
5	Description technique . . . . .	34
6	Montage du réchaud . . . . .	35
7	Exploitation du réchaud . . . . .	38
8	Entretien du réchaud . . . . .	40
9	Nettoyage du réchaud . . . . .	40
10	Garantie . . . . .	41
11	Recyclage . . . . .	41
12	Caractéristiques techniques . . . . .	42

## 1 Explication des symboles



### **AVERTISSEMENT !**

**Consigne de sécurité :** le non-respect de ces consignes peut entraîner la mort ou de graves blessures.



### **AVIS !**

Le non-respect de ces consignes peut entraîner des dommages matériels et des dysfonctionnements du produit.



### **REMARQUE**

Informations complémentaires sur l'utilisation du produit.

► **Manipulation** : ce symbole vous indique une action à effectuer. Les manipulations à effectuer sont décrites étape par étape.

✓ Ce symbole décrit le résultat d'une manipulation.

**fig. 1 5, page 3** : cette information renvoie à un élément figurant sur une illustration, dans cet exemple à la « position 5 de l'illustration 1 à la page 3 ».

## 2 Consignes générales de sécurité

Le fabricant décline toute responsabilité pour des dommages dans les cas suivants :

- des défauts de montage ou de raccordement
- des influences mécaniques et des surtensions ayant endommagé le matériel
- des modifications apportées au produit sans autorisation explicite de la part du fabricant
- une utilisation différente de celle décrite dans la notice

### 2.1 Sécurité fondamentale



#### AVERTISSEMENT !

- Employez exclusivement du gaz liquide de catégorie I<sub>3</sub> (propane/butane). Tout autre combustible est **interdit**.
- Installez un extincteur approprié qui devra être facilement et rapidement accessible. Faites-le régulièrement contrôler par un professionnel.
- Ne laissez pas des personnes (enfants compris) incapables d'utiliser le produit de manière sûre, en raison de déficiences physiques, sensorielles ou mentales ou de leur manque d'expérience ou de connaissances, utiliser ce produit sans surveillance.



#### AVIS !

- Seule l'exploitation du réchaud pour un usage conforme est autorisée.

## 2.2 Sécurité de manipulation du gaz liquide



### AVERTISSEMENT !

- Veillez à tenir les matières inflammables éloignées des cuisinières, appareils de chauffage et autres sources de lumière ou de chaleur.
- **Danger d'asphyxie**  
Veillez à mettre l'appareil en marche dans un endroit suffisamment aéré. Les orifices d'aération de la zone d'installation de l'appareil doivent présenter une section d'au moins 150 cm<sup>2</sup>. Ces orifices peuvent disposer d'une fermeture mais ils devront être impérativement ouverts pendant l'exploitation du foyer (cf. plaque signalétique au-dessus du réchaud).
- Vérifiez que les données inscrites sur la bouteille de propane ou de butane correspondent aux données inscrites sur la plaque signalétique.
- Ne conservez jamais les bouteilles de gaz liquide dans des endroits non aérés.
- Protégez les bouteilles de gaz liquide d'un rayonnement solaire direct. La température ne doit pas dépasser 50 °C.
- Si vous sentez une odeur de gaz :
  - ouvrez toutes les fenêtres et quittez la pièce ;
  - n'actionnez aucun système électrique et n'allumez aucune flamme qui pourraient enflammer le gaz ;
  - fermez le robinet de la bouteille de gaz et laissez-le fermé jusqu'à élimination de la fuite ;
  - n'essayez en aucun cas de détecter la fuite avec une flamme.
- Il est interdit d'exploiter le réchaud lors d'un ravitaillement en carburant, dans les garages et sur les navires transbordeurs.

## 2.3 Sécurité d'exploitation de l'appareil



### AVERTISSEMENT !

- Employez de longues allumettes ou un allume-gaz approprié. Vous devez pouvoir contrôler visuellement la procédure d'allumage par le haut et des casseroles ne doivent pas boucher le champ de vision.  
Retirez rapidement vos mains dès que le brûleur est allumé.



- Portez des vêtements appropriés lors de l'exploitation du réchaud : attention aux pièces de tissu pendantes qui pourraient prendre feu.

**AVIS !**

- Laissez le réchaud refroidir à température ambiante avant de le toucher à mains nues.
- Veillez à ce que la zone environnante du réchaud soit exempte de graisses, de produits alcoolisés, de matières plastiques, de substances et objets inflammables (rideaux, torchons, ustensiles de cuisine etc.).
- N'employez que des casseroles et poêles à fond plat et dont le diamètre ne dépasse pas la grille du réchaud. La taille des casseroles et poêles doit permettre de couvrir les flammes car vous risquez dans le cas contraire de mettre le feu à vos vêtements. Des casseroles et des poêles de taille correcte sont également plus économiques.
- Veillez à la stabilité des poêles et casseroles lorsque vous cuisinez ; utilisez pour cela le support de maintien compris dans la livraison.
- Ne laissez jamais les poignées des poêles et casseroles dépasser du réchaud. Tournez les poignées vers l'intérieur tout en veillant à ce qu'elles ne soient pas au-dessus d'autres brûleurs. Vous réduisez ainsi les risques de renversement de casserole, d'inflammation de substances inflammables ou de graves brûlures.
- Soyez prudent en chauffant de l'huile ou de la graisse car ces substances peuvent s'enflammer à haute température.
- N'utilisez que des maniques sèches afin d'éviter toute formation de vapeur. N'utilisez pas de torchons ou de tissus semblables qui sont inflammables.
- Ne laissez jamais le réchaud sans surveillance. Les casseroles qui débordent peuvent occasionner la formation de fumées ou d'incendies.
- Mettez le régulateur (fig. **1** 1, page 2) en position zéro (0), avant de retirer la casserole ou la poêle.
- Ne vous servez pas du réchaud pour chauffer la pièce.

### 3 Contenu de la livraison

- Réchaud
- Support de maintien
- Bouclier thermique
- Cardans
- Notice de montage et d'utilisation

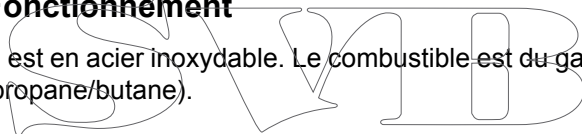
### 4 Usage conforme

Les réchauds à gaz liquide des séries EK 1600 et EK 3200 de Dometic sont conçus pour les véhicules à moteur et les bateaux.

### 5 Description technique

#### 5.1 Fonctionnement

Le réchaud est en acier inoxydable. Le combustible est du gaz liquide de catégorie I<sub>3</sub> (propane/butane).



#### 5.2 Spécifications des variantes de l'appareil

Le réchaud est disponible en différents modèles.

- **EK 1600** : réchaud à un brûleur
- **EK 3200** : réchaud à deux brûleurs

Type d'appareil : consultez la désignation sur la partie avant du réchaud.

## 5.3 Éléments de commande

N° dans fig. <b>1</b> , page 2	Description
1	Régulateur à trois positions (zéro, maximum, minimum) Le robinet de gaz s'ouvre par rotation dans le sens inverse des aiguilles d'une montre. Le robinet de gaz se ferme par rotation dans le sens des aiguilles d'une montre jusqu'à la butée.
2	Support de maintien

## 6 Montage du réchaud

Vous pouvez intégrer le réchaud à la table de travail de votre cuisine.

### 6.1 Choix du lieu de montage

Lisez attentivement les remarques suivantes lors du choix du lieu de montage :

- choisissez un endroit bien aéré ;
- respectez une distance minimum (fig. **2**, page 2) de
  - 150 mm par rapport aux parois latérales,
  - 170 mm par rapport à la paroi arrière,
  - 500 mm entre le brûleur et la surface horizontale au-dessus du réchaud,
  - 10 mm entre la partie inférieure du réchaud et la surface d'appui ;
- veillez à ce qu'il n'y ait pas de courant d'air sur le lieu de montage.  
Si vous montez le réchaud sur un cockpit ou dans un autre endroit à ciel ouvert, montez également un abri ;
- n'exploitez **pas** l'appareil dans un environnement explosif.
- Si les cardans sont utilisés, s'assurer que la cuisinière peut basculer librement.
- S'assurer que l'espace est suffisant pour faire basculer la cuisinière sur cardans.

## 6.2 Montage du réchaud



### **AVIS ! Risque d'endommagement**

Avant de commencer à percer, assurez-vous qu'aucun câble électrique ou autre élément du véhicule ne risque d'être endommagé par le perçage, le sciage ou le limage.

Si les cardans ne sont pas utilisés, monter la cuisinière comme suit :

- Fixez le réchaud avec quatre vis.

Monter les cardans comme suit (fig. **5**, page 4) :

- Fixer les plaques latérales des cardans (1) en bas du corps de la cuisinière (3) à l'aide des écrous et des boulons fournis.



### **REMARQUE**

Il est possible de tourner les bras des cardans (2) pour pouvoir abaisser la cuisinière (3) en avant ou en arrière.

- Avant de monter les bras des cardans (2), les fixer aux plaques latérales des cardans (1) afin de pouvoir déterminer la position adaptée à votre bateau.

S'assurer que l'installation est conforme à la fig. **5**, page 4.

- Placer les rondelles en fibre (4) à trous circulaires sur les bras des cardans (2).
- Relever la cuisinière dans la position souhaitée.
- Placer les rondelles en fibre (5) à trous ovales sur les bras des cardans (2).
- Fixer les vis (6).
- Ajuster le couple de serrage des vis pour obtenir le frottement souhaité.

### 6.3 Raccordement du réchaud au gaz



#### AVERTISSEMENT ! Risque de blessure

Utilisez uniquement des bouteilles de gaz propane ou butane dont la vanne de réduction de pression a été contrôlée et un embout correspondant. Vérifiez que les données inscrites sur la bouteille de propane ou de butane correspondent aux données inscrites sur la plaque signalétique.

Consignes de raccordement :

- la conduite de gaz doit être un tube d'acier  $\varnothing 8 \times 1$  mm (coulé sans soudeure ou inoxydable) à monter avec un raccord à bague coupante ;
- fixez les tubes sur une paroi latérale ou arrière des meubles avoisinants en veillant à ce qu'il n'y ait pas de transmission d'effort sur les composants de réglage ;
- le raccordement ne doit être démontable qu'à l'aide d'outils. Observez à cet effet les réglementations techniques des fiches de travail G607 et G608 de la DVGW (Fédération allemande du secteur du gaz et de l'eau) ;
- le tubage doit être exempt de contraintes ;
- le raccordement par flexible entre l'appareil à gaz et l'unité d'alimentation en gaz liquide doit être le plus court possible et ne pas dépasser 750 mm ;
- le raccordement par flexible doit être parfaitement accessible pour contrôle sur toute sa longueur ;
- le flexible de raccordement ne doit en aucun cas avoir une influence sur la fonction de la suspension à la Cardan (**quelles que soient** les conditions d'exploitation : jamais de traction ou de pli) ;
- les orifices d'aération de la zone d'installation de l'appareil doivent présenter une section d'au moins  $150 \text{ cm}^2$ . Ces orifices peuvent disposer d'une fermeture mais ils devront impérativement être ouverts pendant l'exploitation du foyer.

- Raccordez le réchaud à l'alimentation au gaz.
- Posez au-dessus du réchaud un panneau sur lequel est inscrit le texte suivant :

« ATTENTION

Veillez à ce que l'aération soit satisfaisante pendant que vous cuisinez: en ouvrant par exemple les fenêtres à proximité du gril ou de l'appareil de cuisson.

Ceux-ci ne doivent en aucun cas servir à chauffer la pièce. »

- Veillez à ce que le flexible
  - ne soit pas coincé ou plié,
  - se trouve à une distance suffisante du brûleur.
- Ouvrez le robinet de la bouteille de gaz.

**AVERTISSEMENT ! Risque de blessure**

Ne contrôlez jamais l'étanchéité lorsque la flamme est nue ou à proximité de sources d'étincelles.

- Vérifiez l'étanchéité de tous les raccordements à l'aide d'un spray détecteur de fuites.  
Si vous ne voyez aucune petite bulle apparaître, c'est que l'étanchéité est assurée.

## 7 Exploitation du réchaud

### 7.1 Allumage du réchaud

**AVERTISSEMENT ! Risque de blessure**

Ne laissez jamais le réchaud sans surveillance.

Vous devez pouvoir contrôler visuellement la procédure d'allumage par le haut et des casseroles ne doivent pas boucher le champ de vision.

**REMARQUE**

Si la cuisinière est montée alors que les cardans sont abaissés, relever complètement le dessus de la cuisinière afin de retirer les réservoirs à combustible pour les remplir.

- Ouvrez le robinet de la bouteille de gaz.
- Ouvrez le robinet d'arrêt du réchaud.
- Tournez le régulateur du foyer souhaité dans le sens inverse des aiguilles d'une montre, du zéro (0) au maximum (grande flamme).
- Appuyez sur le régulateur et maintenez-le dans cette position.
- Allumez le brûleur avec une allumette ou un autre système d'allumage approprié. Retirez rapidement vos mains dès que le brûleur est allumé.  
Si le foyer est allumé, vous pouvez relâcher le bouton rotatif 10 secondes plus tard.

- Réglez la flamme de manière qu'elle ne dépasse pas la casserole.
- Mettez le régleur dans la position souhaitée : maximum (1,6 kW) ou minimum (environ 0,5 kW).

## 7.2 Arrêt du réchaud

- Mettez le régleur en position zéro.
- ✓ Le foyer s'éteint.
- Fermez le robinet d'arrêt du réchaud.
- Fermez le robinet de la bouteille de gaz si vous prévoyez de ne pas utiliser le réchaud pour une durée prolongée.

## 7.3 Changement de bouteille de gaz



### **AVERTISSEMENT ! Risque de blessure**

Ne changez la bouteille de gaz que lorsque l'aération est suffisante.

Veillez à ce qu'aucune source d'étincelles ne soit à proximité.

Ne changez la bouteille de gaz que lorsque le réchaud est éteint.

- Eteignez le réchaud en mettant le régulateur en position zéro par rotation dans le sens des aiguilles d'une montre.
- Fermez complètement le robinet de la bouteille de gaz.
- Dévissez le robinet de la bouteille de gaz.
- Vérifiez l'état du flexible.  
Changez le flexible si le matériel est cassant ou poreux.
- Fixez la vanne de réduction de pression en la vissant sur la nouvelle bouteille.

## 8 Entretien du réchaud

Le réchaud doit être contrôlé tous les ans pour raisons de sécurité par un professionnel qui devra attester qu'il fonctionne correctement et éliminer tous les défauts éventuellement constatés.

- ▶ Fonctions devant faire l'objet d'une attention particulière lors du contrôle annuel :
  - contrôle de l'étanchéité au gaz ;
  - contrôle de la sécurité de combustion et de la stabilité de la flamme ;
  - contrôle de l'alimentation en air frais ;
  - contrôle des systèmes de sécurité et de réglage (robinets des foyers).
- ▶ Assurez-vous que la pièce d'installation de l'appareil est en conformité avec les réglementations locales.
- ▶ Contrôlez l'encrassement des éléments suivants et nettoyez-les le cas échéant :
  - orifices de sortie de gaz des brûleurs ;
  - têtes des brûleurs ;
  - thermocouple.
- ▶ Contrôlez la distance entre la tête de brûleur et le thermocouple qui doit être de 1 à 3 mm.

## 9 Nettoyage du réchaud



### **AVIS !**

N'utilisez aucun objet coupant ou dur pour le nettoyage de l'appareil. Cela risquerait de l'endommager.  
Employez des nettoyants du commerce.

- ▶ Laissez refroidir l'appareil avant de le nettoyer.
- ▶ Retirez la grille du réchaud.
- ▶ Nettoyez la surface du réchaud. Nettoyez les résidus de graisse et d'huile particulièrement tenaces.
- ▶ Ne nettoyez en aucun cas le réchaud au jet de vapeur.



## 10 Garantie

Le délai légal de garantie s'applique. Si le produit s'avérait défectueux, veuillez vous adresser à la filiale du fabricant située dans votre pays (voir adresses au verso du présent manuel) ou à votre revendeur spécialisé.

Veillez y joindre les documents suivants pour la gestion des réparations et de la garantie :

- une copie de la facture avec la date d'achat,
- le motif de la réclamation ou une description du dysfonctionnement.

## 11 Recyclage


- Jetez les emballages dans les conteneurs de déchets recyclables prévus à cet effet.



Lorsque vous mettrez votre produit définitivement hors service, informez-vous auprès du centre de recyclage le plus proche ou auprès de votre revendeur spécialisé sur les prescriptions relatives au traitement des déchets.

SVMB

## 12 Caractéristiques techniques

	Dometic EK 1600	Dometic EK 3200
Référence :	9103300400	9103300401
Consommation de gaz :	115 g/h	230 g/h
Catégorie de gaz :	Catégorie I <sub>3</sub> , propane/butane	
Pression d'alimentation :	AT, DE EE, LT, LV, MT, PL : 30 mbar BE, CH, ES, FR, GB, GR, IE, IT, LU : de 28 à 30/37 mbar CY, CZ, DK, FI, HU, IS, NL, NO, SE, SI, SK : de 28 à 30 mbar	
Nombre de brûleurs :	1	2
Puissance du brûleur :	1600 W	3200 W
Temps de mise à ébullition d'1 l d'eau :	Env. 10 min (en fonction de la température ambiante et du type de casserole)	
Dimensions :	fig. <b>3</b> , page 3	fig. <b>4</b> , page 3
Poids :	2,9 kg	4,2 kg
Contrôle/certificat :		

**Antes de poner en funcionamiento el producto, lea atentamente estas instrucciones y consérvelas para futuras consultas. En caso de vender o entregar el producto a otra persona, entregue también estas instrucciones.**

## Índice

1	Aclaración de los símbolos . . . . .	43
2	Indicaciones generales de seguridad . . . . .	44
3	Volumen de entrega. . . . .	47
4	Uso adecuado . . . . .	47
5	Descripción técnica . . . . .	47
6	Montar el hornillo . . . . .	48
7	Utilizar el hornillo . . . . .	51
8	Mantenimiento del hornillo . . . . .	53
9	Limpiar el hornillo. . . . .	53
10	Garantía legal . . . . .	54
11	Gestión de residuos . . . . .	54
12	Datos técnicos . . . . .	55

## 1 Aclaración de los símbolos



### ¡ADVERTENCIA!

**Indicación de seguridad:** su incumplimiento puede acarrear la muerte o graves lesiones.



### ¡AVISO!

Su incumplimiento puede acarrear daños materiales y perjudicar el correcto funcionamiento del producto.

**NOTA**

Información adicional para el manejo del producto.

- **Paso a seguir:** este símbolo le indica que debe realizar un paso. Todos los procedimientos necesarios se describen paso a paso.
- ✓ Este símbolo describe el resultado de un paso realizado.

**fig. 1 5, página 3:** esta indicación hace referencia a un elemento de una figura, en este ejemplo a la “Posición 5 en la figura 1 de la página 3”.

## 2 Indicaciones generales de seguridad

El fabricante declina toda responsabilidad ante daños ocurridos en los siguientes casos:

- errores de montaje o de conexión,
- daños en el producto debido a influencias mecánicas y sobretensiones
- modificaciones realizadas en el producto sin el expreso consentimiento del fabricante
- utilización del aparato para fines distintos a los descritos en las instrucciones.

### 2.1 Seguridad básica

**¡ADVERTENCIA!**

- Utilice únicamente gas licuado de la categoría I<sub>3</sub> (propano/butano). **No** utilice otro combustible.
- Coloque un extintor adecuado en las proximidades. Asegúrese de que un especialista compruebe el extintor a intervalos regulares.
- Las personas (incluidos los niños) que, debido a sus capacidades físicas, sensoriales o mentales, a su falta de experiencia o a desconocimiento, no pueden utilizar el producto de forma segura, no tienen permitido utilizar este producto sin la vigilancia y las instrucciones de una persona sobre la que recae tal responsabilidad.

**¡AVISO!**

- Utilice el hornillo sólo para los usos que se consideren adecuados.

## 2.2 Seguridad al manipular el gas licuado

**¡ADVERTENCIA!**

- Mantenga las sustancias inflamables alejadas de calefactores, dispositivos de cocina y otras fuentes de luz y calor.
- **¡Peligro de asfixia!**  
Antes de encender el aparato garantice la suficiente ventilación del área. Durante el funcionamiento deben estar disponibles orificios de ventilación con una sección transversal libre de al menos 150 cm<sup>2</sup> en el lugar de colocación. Estos orificios pueden contar con un cierre pero deben estar abiertos cuando el fuego esté encendido (véase la señal de aviso colocada sobre el hornillo).
- Compare la indicación de la placa de características con la de la bombona de gas butano o propano.
- No guarde nunca las bombonas de gas licuado en lugares sin ventilación.
- Proteja las bombonas de gas licuado de las radiaciones solares directas. La temperatura no debe superar los 50 °C.
- Si nota olor a gas:
  - Abra todas las ventanas y salga del habitáculo.
  - No accione ningún dispositivo eléctrico y evite usar dispositivos con llama que puedan prender el gas.
  - Cierre la válvula de la bombona y déjela cerrada hasta que se subsane el fallo.
  - No intente encontrar fugas con una llama.
- El hornillo no debe utilizarse al repostar combustible, en garajes ni durante la conducción.

## 2.3 Seguridad durante el funcionamiento del aparato



### ¡ADVERTENCIA!

- Utilice cerillas largas o un encendedor adecuado. El proceso completo de encendido tiene que ser visible desde arriba y no puede estar tapado por cazuelas u otros objetos. Retire la mano rápidamente en cuanto se haya encendido el quemador.
- Al utilizar el hornillo, lleve ropa adecuada. No lleve ropa amplia que pueda prenderse con facilidad.



### ¡AVISO!

- Deje que el hornillo se enfríe a la temperatura ambiente, antes de tocarlo directamente con las manos.
- Mantenga el hornillo y sus inmediaciones libres de grasa, sustancias alcohólicas, material plástico y sustancias inflamables (p. ej. cortinas, toallas, utensilios de cocina).
- Utilice únicamente cazuelas y sartenes con un fondo liso y un diámetro que no supere al de la parrilla del hornillo. Las cazuelas y sartenes deben ser lo suficientemente grandes para cubrir las llamas. Si las llamas no quedan cubiertas, podría incendiarse la ropa. Además, las cazuelas y sartenes del tamaño adecuado mejoran la rentabilidad.
- Al cocinar, asegúrese de que las cazuelas y sartenes estén colocadas con firmeza. En caso necesario, utilice los agarradores suministrados.
- No deje que los mangos de las cazuelas o sartenes sobresalgan del hornillo. Gire los mangos hacia el interior teniendo cuidado de que no queden colocados sobre otros quemadores. De esta forma se reduce el peligro de derrames, la ignición de sustancias inflamables y quemaduras graves.
- Proceda con cuidado al calentar grasa o aceite. La grasa y el aceite prenden a elevadas temperaturas.
- Utilice únicamente paños secos para evitar la formación de vapor. No utilice toallas o cualquier otro objeto donde pudiera prenderse el fuego.
- Mantenga vigilado el hornillo durante su funcionamiento. Las cazuelas sobrecalentadas podrían provocar humo e incendios.

- Antes de apoyar la cazuela o la sartén, coloque el regulador (fig. **1** 1, página 2) a cero (0).
- No utilice el hornillo para calentar el habitáculo.

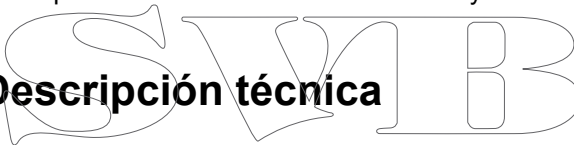
### 3 Volumen de entrega

- Hornillo
- Agarrador
- Blindaje térmico
- Cardanes
- Instrucciones de montaje y uso

### 4 Uso adecuado

Los hornillos a gas licuado de los modelos EK 1600 y EK 3200 de Dometic son adecuados para su instalación en automóviles y embarcaciones.

### 5 Descripción técnica



#### 5.1 Funcionamiento

El hornillo está fabricado de acero inoxidable. Utilice como combustible gas licuado de la categoría I<sub>3</sub> (propano/butano).

#### 5.2 Especificaciones de las variantes del aparato

El hornillo está disponible en diferentes modelos.

- **EK 1600:** hornillo con un quemador
- **EK 3200:** hornillo con dos quemadores

Podrá determinar su tipo de aparato en función de la denominación del modelo situada en la parte delantera del hornillo.

## 5.3 Elementos de mando

N.º en fig. <b>1</b> , página 2	Descripción
1	Regulador ajustable en tres posiciones (a cero, alto, bajo) Girando en sentido contrario a las agujas del reloj se abre la llave de paso del gas. Girando en el sentido de las agujas de reloj hasta el tope se cierra la llave de paso del gas.
2	Agarrador

## 6 Montar el hornillo

Puede montar el hornillo en la encimera de la cocina.

### 6.1 Seleccionar el lugar de montaje

Al elegir el lugar de montaje, tenga en cuenta las siguientes indicaciones:

- Seleccione un lugar bien ventilado para el aparato.
- Garantice una separación mínima (fig. **2**, página 2) de
  - 150 mm a las paredes laterales,
  - 170 mm a la pared trasera,
  - 500 mm entre el quemador y la superficie horizontal por encima del hornillo,
  - 10 mm entre la parte inferior del hornillo y la superficie de apoyo.
- Preste atención a que no haya corrientes de aire en el lugar de montaje. Si monta el hornillo en una cabina abierta o en otro lugar abierto, monte adicionalmente un cortavientos.
- **No** ponga en funcionamiento el aparato en zonas con riesgo de explosión.
- Si utiliza cardanes, asegúrese de que el hornillo pueda oscilar libremente.
- Asegúrese de que dispone de un espacio amplio para que oscile la unidad con suspensión de cardán.



## 6.2 Montar el hornillo



### **¡AVISO! ¡Peligro de ocasionar daños materiales!**

Antes de realizar cualquier perforación, asegúrese de que ningún cable eléctrico ni ninguna pieza del vehículo puedan resultar dañados al taladrar, serrar o limar.

Si no utiliza cardanes, monte el hornillo de la siguiente forma:

- Fije el hornillo con cuatro tornillos.

Monte los cardanes de la siguiente forma (fig. **5**, página 4):

- Fije las placas laterales del cardán (**1**) al cuerpo inferior del hornillo (**3**) utilizando los pernos y tuercas adjuntos.



### **NOTA**

Los brazos del cardán (**2**) pueden girarse para poder descender hacia delante y hacia atrás el hornillo (**3**).

- Antes de montar los brazos del cardán (**2**), realice una prueba fijándolos a las placas laterales del cardán (**1**) para así determinar qué alternativa es la mejor para su embarcación.

Asegúrese de que la instalación se está realizando conforme a la fig. **5**, página 4.

- Sitúe las arandelas de fibra (**4**) sin orificios redondos en los brazos del cardán (**2**).
- Eleve el hornillo hasta la posición correcta.
- Sitúe las arandelas de fibra (**5**) con orificios oblongos en los brazos laterales del cardán (**2**).
- Apriete los tornillos (**6**).
- Ajuste la tensión de los tornillos hasta la fricción deseada.

## 6.3 Conectar el hornillo a la alimentación de gas



### ¡ADVERTENCIA! ¡Peligro de sufrir lesiones!

Utilice sólo bombonas de gas butano o propano equipadas con una válvula autorizada de reducción de la presión y un cabezal adecuado. Compare la indicación de la placa de características con la de la bombona de gas butano o propano.

Durante la conexión tenga en cuenta las siguientes indicaciones:

- Utilice un conducto de gas de tubo de acero de 8 x 1 mm de  $\varnothing$  (acero soldado sin costuras o acero inoxidable) y móntelo de forma hermética mediante el atornillamiento del anillo cortante.
  - Fije los tubos a una pared lateral o trasera del mobiliario alrededor de forma que no se transmitan esfuerzos a los elementos de ajuste.
  - La conexión sólo debe poder soltarse con una herramienta. Respete las reglas técnicas de las hojas de trabajo DVGW G607 y G608.
  - Ningún tubo debe tener tensión.
  - Mantenga la longitud de la conexión de la manguera entre el dispositivo de gas y el alimentador de gas licuado lo más corta que pueda y que no supere los 750 mm.
  - Debe poder accederse a la conexión de la manguera en toda su longitud, a efectos de su comprobación.
  - En la conexión de la manguera, preste especial atención a que la manguera no afecte al funcionamiento de la suspensión cardán (en **todas** las condiciones de funcionamiento: sin esfuerzo de tracción ni dobleces).
  - Durante el funcionamiento deben estar disponibles orificios de ventilación con una sección transversal libre de al menos 150 cm<sup>2</sup> en el lugar de colocación. Estos orificios pueden contar con un cierre pero deben estar abiertos cuando el fuego esté encendido.
- Conecte el hornillo a la alimentación de gas.
- Coloque sobre el hornillo una señal de aviso con el siguiente mensaje:
- “¡ADVERTENCIA!  
Al cocinar es necesario disponer se una ventilación adicional, p. ej. abriendo las ventanas situadas cerca de la parrilla, hornillo y horno. Estos aparatos no pueden utilizarse como calefactores.”

- Compruebe que la manguera
  - no se doble ni quede atrapada y,
  - esté colocada a una distancia prudencial de seguridad del quemador.
- Abra la válvula de la bombona de gas.




---

**¡ADVERTENCIA! ¡Peligro de sufrir lesiones!**

Nunca compruebe la estanqueidad con una llama abierta o cerca de fuentes de encendido.

---

- Compruebe que ninguna de las conexiones presenta fugas con un spray detector de fugas.  
Si no aparecen burbujas, no hay fugas.

## 7 Utilizar el hornillo

### 7.1 Encender el hornillo




---

**¡ADVERTENCIA! ¡Peligro de sufrir lesiones!**

Mantenga vigilado el hornillo durante su funcionamiento.

El proceso completo de encendido tiene que ser visible desde arriba y no puede estar tapado por cazuelas u otros objetos.

---



**NOTA**

Si el hornillo está montado con los cardanes situados abajo, la parte superior del hornillo tendrá que levantarse hasta alcanzar la posición vertical para así retirar los depósitos de combustible con objeto de rellenarlos.

---

- Abra la válvula de la bombona de gas.
- Abra la válvula de cierre del hornillo.
- Gire el regulador al fuego deseado en el sentido contrario a las agujas del reloj desde la posición cero (0) a la posición de encendido (llama grande).
- Presione el regulador y manténgalo en esa posición.
- Prenda el fuego en el quemador con una cerilla u otro encendedor.  
Retire la mano en cuanto se haya encendido el quemador.

Cuando se halla encendido el fuego, deje pasar unos 10 segundos y suelte el regulador giratorio.

- Ajuste la llama de forma que no sobresalga por la superficie de la cazuela.
- Ajuste el regulador a la posición que desee: alto (1,6 kW) o bajo (unos 0,5 kW).

## 7.2 Apagar el hornillo

- Coloque el regulador en la posición cero.
- ✓ El fuego se apaga.
- Cierre la válvula de cierre del hornillo.
- Si deja fuera de servicio el hornillo durante un periodo de tiempo prolongado, cierre la válvula de la bombona de gas.

## 7.3 Cambiar la bombona de gas



### **¡ADVERTENCIA! ¡Peligro de sufrir lesiones!**

Cambie la bombona de gas sólo en lugares con una buena ventilación. Compruebe que no haya ninguna fuente de calor en las inmediaciones. Desconecte siempre el hornillo antes de realizar el cambio de bombona.

- Desconecte el hornillo girando el regulador en el sentido de las agujas del reloj a la posición cero.
- Cierre completamente la válvula de la bombona de gas.
- Desatornille la válvula de la bombona de gas.
- Compruebe el estado del conducto de tubo flexible. Sustituya el conducto de tubo flexible si el material está demasiado seco o presenta porosidades.
- Enrosque segura y firmemente la válvula de reducción de presión a la nueva bombona.

## 8 Mantenimiento del hornillo

Por motivos de seguridad, es necesario que especialistas autorizados comprueben una vez al año el correcto funcionamiento del aparato y que subsanen posibles defectos.

- ▶ Durante la comprobación anual del aparato, compruebe, en especial:
  - la hermeticidad a los gases,
  - la seguridad ante incendios y estabilidad de la llama,
  - la entrada de aire fresco,
  - los dispositivos de seguridad y de regulación (llaves de paso del gas de los fuegos).
- ▶ Compruebe si el lugar de colocación cumple con las normas vigentes a nivel local.
- ▶ Compruebe la suciedad de los siguientes componentes y limpie en caso necesario:
  - Orificios de salida del gas del quemador,
  - Cabezales de los quemadores,
  - Elemento térmico.
- ▶ Compruebe si está ajustada la distancia correcta entre el cabezal del quemador y el elemento térmico (aprox. 1 – 3 mm).

## 9 Limpiar el hornillo



### **¡AVISO!**

No utilice ningún instrumento afilado o duro en la limpieza, ya que podría dañar el aparato.

Utilice un producto de limpieza convencional.

- ▶ Deje que el aparato se enfríe antes de limpiarlo.
- ▶ Retire la parrilla del hornillo.
- ▶ Limpie la superficie del hornillo. Retire los restos de grasa y aceite especialmente incrustados.
- ▶ No utilice en ningún caso un limpiador por chorro de vapor para limpiar el hornillo.

## 10 Garantía legal

Rige el plazo de garantía legal. Si el producto presenta algún defecto, diríjase a su establecimiento especializado o a la sucursal del fabricante de su país (ver direcciones en el dorso de estas instrucciones).

Para la tramitación de la reparación y de la garantía debe enviar también los siguientes documentos:

- una copia de la factura con fecha de compra,
- el motivo de la reclamación o una descripción de la avería.

## 11 Gestión de residuos


- Deseche el material de embalaje en el contenedor de reciclaje correspondiente.



Cuando vaya a desechar definitivamente el producto, infórmese en el centro de reciclaje más cercano o en un comercio especializado sobre las normas pertinentes de eliminación de materiales.

SVIB

## 12 Datos técnicos

	Dometic EK 1600	Dometic EK 3200
Nº art.:	9103300400	9103300401
Consumo de gas:	115 g/h	230 g/h
Categoría del gas:	Categoría I <sub>3</sub> , propano/butano	
Presión de conexión:	AT, DE EE, LT, LV, MT, PL: 30 mbares BE, CH, ES, FR, GB, GR, IE, IT, LU: 28 – 30/37 mbares CY, CZ, DK, FI, HU, IS, NL, NO, SE, SI, SK: 28 – 30 mbares	
Número de quemadores:	1	2
Potencia del quemador:	1600 W	3200 W
Tiempo de cocción para 1 l de agua:	Unos 10 min (en función de las condiciones del entorno y de la cazuela utilizada)	
Dimensiones:	fig. <b>3</b> , página 3	fig. <b>4</b> , página 3
Peso:	2,9 kg	4,2 kg
Homologación / certificados:		

**Prima di effettuare la messa in funzione, leggere accuratamente questo manuale di istruzioni, conservarlo e, nel caso in cui il prodotto venga consegnato ad un altro utente, consegnare anche le relative istruzioni.**

## Indice

1	Spiegazione dei simboli . . . . .	56
2	Indicazioni di sicurezza generali . . . . .	57
3	Dotazione. . . . .	60
4	Uso conforme alla destinazione. . . . .	60
5	Descrizione tecnica . . . . .	60
6	Montaggio del fornello . . . . .	61
7	Come utilizzare il fornello. . . . .	64
8	Manutenzione del fornello . . . . .	66
9	Pulizia del fornello . . . . .	66
10	Garanzia . . . . .	67
11	Smaltimento . . . . .	67
12	Specifiche tecniche . . . . .	68

## 1 Spiegazione dei simboli



### **AVVERTENZA!**

**Avviso di sicurezza:** la mancata osservanza di questo avviso può causare ferite gravi anche mortali.



### **AVVISO!**

La mancata osservanza di questa nota può causare danni materiali e compromettere il funzionamento del prodotto.



### **NOTA**

Informazioni integranti relative all'impiego del prodotto.



► **Modalità di intervento:** questo simbolo indica all'utente che è necessario un intervento. Le modalità di intervento necessarie saranno descritte passo dopo passo.

✓ Questo simbolo descrive il risultato di un intervento.

**fig. 1 5, pagina 3:** questi dati si riferiscono ad un elemento in una figura, in questo caso alla “posizione 5 nella figura 1 a pagina 3”.

## 2 Indicazioni di sicurezza generali

Il produttore non si assume nessuna responsabilità per danni nei seguenti casi:

- errori di montaggio o di allacciamento
- danni al prodotto dovuti a influenze meccaniche o a sovratensioni
- modifiche al prodotto senza esplicita autorizzazione del produttore
- impiego per altri fini rispetto a quelli descritti nel manuale di istruzioni

### 2.1 Sicurezza di base



#### AVVERTENZA!

- Utilizzare esclusivamente gas liquido della categoria I<sub>3</sub> (propano/butano). **Non** impiegare altri combustibili.
- Tenere un estintore adeguato nelle vicinanze. Assicurarsi che l'estintore venga controllato a intervalli regolari da un esperto.
- Persone (bambini compresi) che a causa della proprie capacità fisiche, sensoriali o mentali, oppure che a causa della propria inesperienza e scarsa conoscenza non siano in grado di utilizzare il prodotto in modo sicuro, devono evitare di utilizzarlo se non in presenza e seguendo le istruzioni di una persona per loro responsabile.



#### AVVISO!

- Utilizzare il fornello solamente per un uso conforme alla sua destinazione.

## 2.2 Sicurezza durante l'uso del gas liquido



### AVVERTENZA!

- Tenere le sostanze infiammabili lontane da stufette elettriche, apparecchi per la cucina e altre fonti di luce o di calore.
- **Pericolo di asfissia!**  
Prima di accendere l'apparecchio, assicurarsi che la zona sia sufficientemente ventilata. Durante il funzionamento, nel luogo di installazione devono essere presenti aperture di aerazione con un diametro libero di almeno 150 cm<sup>2</sup>. Queste aperture possono essere chiuse, ma durante il funzionamento dei fuochi devono essere aperte (vedi targhetta segnaletica applicata sul fornello).
- Confrontare i dati della pressione riportati sulla targhetta con quelli indicati sulla bombole di gas propano o butano.
- Non conservare mai le bombole di gas liquido in luoghi non aerati.
- Proteggere le bombole di gas liquido dalla diretta esposizione dei raggi solari. La temperatura non deve superare i 50 °C.
- In caso di odore di gas:
  - Aprire tutte le finestre e abbandonare la stanza.
  - Non azionare nessun dispositivo elettrico ed evitare di utilizzare fiamme libere che possono infiammare il gas.
  - Chiudere la valvola della bombola del gas e lasciarla chiusa fino a quando non è stato eliminato l'errore.
  - Non provare mai a cercare la perdita con una fiamma libera.
- Non mettere in funzione il fornello quando si fa rifornimento, in garage e durante la marcia.

## 2.3 Sicurezza durante il funzionamento dell'apparecchio



### AVVERTENZA!

- Utilizzare fiammiferi lunghi o un accendigas adeguato. Deve essere possibile controllare dall'alto l'intero processo di accensione e pentole o altri oggetti non devono coprire il campo visivo. Ritirare subito la mano non appena il bruciatore si è acceso.

- Quando si utilizza il fornello indossare sempre un abbigliamento adeguato.  
Non indossare vestiti ampi, in quanto possono prendere fuoco facilmente.

**AVVISO!**

- Lasciar raffreddare il fornello fino alla temperatura ambiente prima di toccarlo direttamente con le mani.
- Assicurarci che sulle zone vicine al fornello non siano presenti grasso, sostanze alcoliche, materiale plastico e sostanze infiammabili (ad es. tende, asciugamani, utensili per la cucina).
- Utilizzare solo pentole e padelle con fondo piatto e un diametro non superiore alla griglia del fornello. Le pentole e le padelle devono essere abbastanza grandi da coprire la fiamma. Se la fiamma non viene coperta, sussiste il pericolo che si infiammino i vestiti.  
Inoltre, pentole e padelle dalle dimensioni adatte aumentano il rendimento.
- Mentre si cucina assicurarsi che le pentole e le padelle siano stabili. Per aumentare la stabilità, utilizzare i supporti per pentole in dotazione.
- Assicurarci che i manici delle padelle o delle pentole non sporgano dal fornello. Girare i manici verso l'interno, assicurandosi che non si trovino su altri bruciatori. In questo modo si riduce il pericolo di rovesciamento, di accensione di sostanze infiammabili e di gravi ustioni.
- Prestare la massima attenzione quando si scaldano grasso o olio, infatti questi olio raggiungono temperature molto elevate.
- Utilizzare esclusivamente presine asciutte, in modo da evitare la formazione di vapore. Al posto delle presine non utilizzare asciugamani o simili, in quanto potrebbero prendere fuoco.
- Non azionare mai il fornello in assenza di controllo. Le pentole che traboccano possono provocare fumo e incendi.
- Prima di togliere la padella o la pentola, posizionare il regolatore (fig. **1** 1, pagina 2) sullo zero (0).
- Non utilizzare il fornello per scaldare gli ambienti.

### 3 Dotazione

- Fornello
- Supporto per pentole
- Targhette termiche
- Cardani
- Istruzioni per l'uso e il montaggio

### 4 Uso conforme alla destinazione

I fornelli a gas liquido dei modelli EK 1600 e EK 3200 di Dometic sono concepiti per l'installazione in autoveicoli e in imbarcazioni.

### 5 Descrizione tecnica

#### 5.1 Funzionamento

Il fornello è costituito di acciaio inox. Come combustibile utilizzare esclusivamente gas liquido della categoria I<sub>3</sub> (propano/butano).

#### 5.2 Specifiche delle varianti dell'apparecchio

Il fornello è disponibile in diversi modelli.

- **EK 1600:** fornello con un bruciatore
- **EK 3200:** fornello con due bruciatori

È possibile determinare il modello in base alla denominazione che si trova sulla parte anteriore del fornello.

## 5.3 Elementi di comando

N. in fig. <b>1</b> , pagina 2	Descrizione
1	Regolatore, impostabile su tre posizioni (zero, massimo, minimo) Ruotando in senso antiorario, il rubinetto del gas si apre. Ruotando in senso orario fino all'arresto, il rubinetto del gas si chiude.
2	Supporto per pentole

## 6 Montaggio del fornello

È possibile montare il fornello sul piano di lavoro della cucina.

### 6.1 Scelta del luogo di montaggio

Nella scelta del luogo di montaggio, prestare attenzione alle seguenti indicazioni:

- Individuare un luogo ben ventilato per l'apparecchio.
- Assicurare una distanza minima (fig. **2**, pagina 2) di
  - 150 mm dalle pareti laterali
  - 170 mm dalla parete posteriore
  - 500 mm tra il bruciatore e la superficie orizzontale sopra il fornello
  - 10 mm tra la parte inferiore del fornello e la superficie di appoggio
- Assicurarsi che sul luogo di installazione non ci siano correnti d'aria. Se il fornello viene montato in una cabina aperta o in un altro luogo aperto, montare anche una protezione dal vento.
- **Non** azionare l'apparecchio in zone a rischio di esplosione.
- Se vengono usati i cardani, assicurarsi che il fornello possa oscillare senza incontrare ostacoli.
- Assicurarsi che lo spazio sia sufficiente affinché il fornello sui cardini possa oscillare.

## 6.2 Montaggio del fornello



### **AVVISO! Pericolo di danni!**

Prima di effettuare qualsiasi tipo di foro, assicurarsi che nessun cavo elettrico o altri componenti del veicolo vengano danneggiati durante l'uso di trapani, seghe e lime.

Se non vengono usati i cardani, montare il fornello nel seguente modo:

- Fissare il fornello con quattro viti.

Montare i cardani nel modo seguente (fig. **5**, pagina 4):

- Fissare le piastre laterali dei cardani (**1**) alla parte inferiore del corpo del fornello (**3**) usando i dadi e i bulloni forniti.



### **NOTA**

Le braccia dei cardani (**2**) possono venire ruotate per fare in modo che il fornello (**3**) possa venire abbassato in avanti o indietro.

- Prima di montare le braccia dei cardani (**2**), provare ad attaccarli alle piastre laterali dei cardani (**1**) per poter scegliere la migliore alternativa per la vostra imbarcazione.

Assicurarsi che l'installazione venga eseguita come da fig. **5**, pagina 4.

- Posizionare le rondelle di fibra (**4**) con il foro circolare sulle braccia del cardano (**2**).
- Sollevare il fornello in posizione.
- Posizionare le rondelle di fibra (**5**) dal foro ovale sulle braccia laterali del cardano (**2**).
- Fissare le viti (**6**).
- Regolare la chiusura delle viti alla forza di serraggio desiderata.

### 6.3 Collegamento del fornello all'alimentazione del gas



#### **AVVERTENZA! Rischio di lesioni!**

Impiegare solo bombole di gas propano o butano con valvola di riduzione della pressione certificata e con un cappuccio appropriato. Confrontare i dati della pressione riportati sulla targhetta con quelli indicati sulla bombole di gas propano o butano.

Durante il collegamento, osservare le seguenti indicazioni:

- Utilizzare un tubo del gas in acciaio  $\varnothing 8 \times 1$  mm (acciaio saldato senza giunte o acciaio inossidabile) e montarlo in modo ermetico avvitando l'anello da taglio.
  - Fissare i tubi a una parete laterale o posteriore dei mobili circostanti, in modo tale da evitare una trasmissione di forza sui componenti di regolazione.
  - Deve essere possibile allentare il collegamento solo con un utensile. Rispettare le regole tecniche del foglio di lavoro DVGW G607 e G608.
  - Non deve essere presente tensione in nessun tubo.
  - La lunghezza del raccordo per il tubo flessibile tra il dispositivo a gas e il dispositivo di alimentazione di gas liquido deve essere il più corta possibile e non superare i 750 mm.
  - In caso di controlli deve essere possibile accedere a tutta la lunghezza del raccordo per il tubo flessibile.
  - Sul raccordo per il tubo flessibile accertarsi in particolare che il tubo non comprometta il funzionamento della sospensione cardanica (in **tutte** le condizioni di funzionamento: senza carico alla trazione o pieghe).
  - Durante il funzionamento, nel luogo di installazione devono essere presenti aperture di aerazione con un diametro libero di almeno 150 cm<sup>2</sup>. Queste aperture possono essere chiuse, ma durante il funzionamento dei fuochi devono essere aperte.
- Collegare il fornello all'alimentazione del gas.
- Applicare sul fornello una targhetta segnaletica con il seguente messaggio:
- “ATTENZIONE!  
Mentre si cucina accertarsi che l'ambiente sia molto aerato, ad es. aprendo le finestre situate in vicinanza della griglia, del fornello o del forno.  
Questi apparecchi non devono essere usati per riscaldare gli ambienti.”

- Assicurarsi che il tubo flessibile
  - non sia stato bloccato o piegato,
  - si trovi a una distanza di sicurezza dal bruciatore.
- Aprire la valvola della bombola del gas.

**AVVERTENZA! Rischio di lesioni!**

Non controllare mai la tenuta in presenza di fiamme libere o in prossimità di fonti di accensione.

- Controllare se tutti i collegamenti sono a tenuta utilizzando uno spray rilevatore di perdite.  
La tenuta è garantita se non si formano bolle.

## 7 Come utilizzare il fornello

### 7.1 Accensione del fornello

**AVVERTENZA! Rischio di lesioni!**

Evitare di lasciare il fornello incustodito durante il suo funzionamento.

Deve essere possibile controllare dall'alto l'intero processo di accensione e pentole o altri oggetti non devono coprire il campo visivo.

**NOTA**

Se il fornello è montato con i cardani in posizione abbassata, occorre sollevare il fornello finché è completamente sollevato per rimuovere i serbatoi del combustibile per riempirli.

- Aprire la valvola della bombola del gas.
- Aprire la valvola di chiusura del fornello.
- Ruotare il regolatore del fuoco desiderato in senso antiorario dalla posizione zero (0) fino alla posizione massima (fiamma grande).
- Premere il regolatore e mantenerlo in questa posizione.
- Accendere il bruciatore con un fiammifero o con un accendigas adeguato. Ritirare subito la mano non appena il bruciatore si è acceso.

Quando il fuoco è stato acceso, rilasciare la manopola dopo ca. 10 secondi.



- Regolare la fiamma in modo tale che non sporga dalla superficie della pentola.
- Ruotare il regolatore sulla posizione desiderata: posizione massima (1,6 kW) o posizione minima (ca. 0,5 kW).

## 7.2 Spegnimento del fornello

- Ruotare il regolatore sullo zero.
- ✓ Il fuoco si spegne.
- Chiudere la valvola di chiusura del fornello.
- Se l'apparecchio resta spento per un periodo di tempo prolungato, chiudere la valvola della bombola del gas.

## 7.3 Sostituzione della bombola del gas



### **AVVERTENZA! Rischio di lesioni!**

Sostituire la bombola del gas solo in ambienti ben aerati. Assicurarsi che non ci sia nessuna fonte di accensione nelle vicinanze.

Sostituire la bombola del gas solo quando il fornello è spento.

- Spegnere il fornello ruotando il regolatore in senso antiorario sullo zero.
- Chiudere completamente la valvola della bombola del gas.
- Svitare la valvola dalla bombola del gas.
- Controllare lo stato del tubo flessibile. Sostituire il tubo flessibile se il materiale dovesse risultare infragilito o poroso.
- Serrare con viti la valvola di riduzione della pressione sulla nuova bombola.

## 8 Manutenzione del fornello

Per motivi di sicurezza è necessario che il personale tecnico controlli una volta all'anno il corretto funzionamento dell'apparecchio ed elimini i possibili guasti.

- ▶ Durante il controllo annuale dell'apparecchio, prestare attenzione in particolare alle seguenti funzioni:
  - Ermeticità a prova di gas.
  - Sicurezza antincendio e stabilità della fiamma.
  - Alimentazione dell'aria fresca.
  - Dispositivi di sicurezza e di regolazione (rubinettidei fuochi).
- ▶ Controllare che il luogo di posizionamento corrisponda alle norme vigenti a livello locale.
- ▶ Controllare il livello di sporcizia dei seguenti componenti ed eventualmente pulire:
  - Le aperture di uscita del gas dei bruciatori,
  - Le teste dei bruciatori,
  - La coppia termoelettrica.
- ▶ Controllare che tra la testa del bruciatore e la coppia termoelettrica sia presente la distanza adeguata (ca. 1–3 mm).

## 9 Pulizia del fornello



### **AVVISO!**

Per la pulizia non impiegare detergenti corrosivi o oggetti ruvidi perché potrebbero provocare danni all'apparecchio. Utilizzare detergenti comunemente in commercio.

- ▶ Prima di pulire l'apparecchio, lasciarlo raffreddare.
- ▶ Togliere la griglia dal fornello.
- ▶ Pulire la superficie di cottura. Rimuovere, in particolare, residui di olio e grasso incrostati.
- ▶ Non pulire in nessun caso il fornello con un getto di vapore.

## 10 Garanzia

Vale il termine di garanzia previsto dalla legge. Qualora il prodotto risultasse difettoso, La preghiamo di rivolgersi al proprio rivenditore specializzato o alla filiale del produttore del suo Paese (l'indirizzo si trova sul retro del manuale di istruzioni).

Per la riparazione e per il disbrigo delle condizioni di garanzia è necessario inviare la seguente documentazione:

- una copia della fattura con la data di acquisto del prodotto,
- un motivo su cui fondare il reclamo, oppure una descrizione del guasto.

## 11 Smaltimento


- Raccogliere il materiale di imballaggio possibilmente negli appositi contenitori di riciclaggio.



Quando il prodotto viene messo fuori servizio definitivamente, informarsi al centro di riciclaggio più vicino, oppure presso il proprio rivenditore specializzato, sulle prescrizioni adeguate concernenti lo smaltimento.

S V I B

## 12 Specifiche tecniche

	Dometic EK 1600	Dometic EK 3200
N. art.:	9103300400	9103300401
Consumo di gas:	115 g/h	230 g/h
Categoria del gas:	Categoria I <sub>3</sub> , propano/butano	
Pressione di collegamento:	AT, DE EE, LT, LV, MT, PL: 30 mbar BE, CH, ES, FR, GB, GR, IE, IT, LU: 28–30/37 mbar CY, CZ, DK, FI, HU, IS, NL, NO, SE, SI, SK: 28–30 mbar	
Numero dei bruciatori:	1	2
Potenza del bruciatore:	1600 W	3200 W
Tempo di cottura per 1 l di acqua:	ca. 10 min (a seconda delle condizioni presenti e della pentola utilizzata)	
Dimensioni:	fig. <b>3</b> , pagina 3	fig. <b>4</b> , pagina 3
Peso:	2,9 kg	4,2 kg
Certificati di controllo:		

Lees deze handleiding voor de ingebruikneming zorgvuldig door en bewaar hem. Geef de handleiding bij het doorgeven van het product aan de gebruiker.

## Inhoud

1	Verklaring van de symbolen . . . . .	69
2	Algemene veiligheidsaanwijzingen . . . . .	70
3	Omvang van de levering . . . . .	72
4	Gebruik volgens bestemming . . . . .	73
5	Technische beschrijving . . . . .	73
6	Kooktoestel monteren . . . . .	73
7	Kooktoestel gebruiken . . . . .	77
8	Kooktoestel onderhouden . . . . .	78
9	Kooktoestel reinigen . . . . .	79
10	Garantie . . . . .	79
11	Afvoeren . . . . .	79
12	Technische gegevens . . . . .	80

## 1 Verklaring van de symbolen



### **WAARSCHUWING!**

**Veiligheidsaanwijzing:** Het niet naleven kan leiden tot overlijden of ernstig letsel.



### **LET OP!**

Het niet naleven ervan kan leiden tot materiële schade en de werking van het product beperken.



### **INSTRUCTIE**

Aanvullende informatie voor het bedienen van het product.

- ▶ **Handeling:** dit symbool geeft aan dat u iets moet doen. De vereiste handelingen worden stap voor stap beschreven.
- ✓ Dit symbool beschrijft het resultaat van een handeling.

**afb. 1 5, pagina 3:** deze aanduiding wijst u op een element in een afbeelding, in dit voorbeeld op „positie 5 in afbeelding 1 op pagina 3”.

## 2 Algemene veiligheidsaanwijzingen

De fabrikant kan in de volgende gevallen niet aansprakelijk worden gesteld voor schade:

- montage- of aansluitfouten
- beschadiging van het product door mechanische invloeden en overspanningen
- veranderingen aan het product zonder uitdrukkelijke toestemming van de fabrikant
- gebruik voor andere dan de in de handleiding beschreven toepassingen

### 2.1 Fundamentele veiligheid



#### WAARSCHUWING!

- Gebruik uitsluitend vloeibaar gas van categorie de I<sub>3</sub> (propaan/butaan). Gebruik **geen** andere brandstoffen.
- Breng een geschikte brandblusser in reikwijdte aan. Zorg ervoor dat de brandblusser in regelmatige afstanden door een deskundige wordt gecontroleerd.
- Personen (ook kinderen) die door hun fysieke, sensorische of geestelijke vaardigheden, of hun onervarenheid of onwetendheid niet in staat zijn om het product veilig te gebruiken, mogen dit niet zonder toezicht of instructie door een verantwoordelijke persoon doen.



#### LET OP!

- Gebruik de kookplaat enkel waarvoor hij bestemd is.

## 2.2 Veiligheid bij de omgang met vloeibaar gas



### WAARSCHUWING!

- Houd brandbare stoffen uit de buurt van verwarmings- en kooktoestellen en uit de buurt van licht- en warmtebronnen.
- **Gevaar voor verstikking!**

Zorg er voor het inschakelen van het toestel voor, dat de ruimte voldoende is geventileerd. Tijdens het gebruik moeten er ventilatieopeningen met een vrije diameter van ten minste 150 cm<sup>2</sup> beschikbaar zijn in opstelruimte. Deze openingen kunnen afsluitbaar zijn, moeten echter bij gebruik van de pit worden geopend (zie het bordje dat is aangebracht boven het kooktoestel).
- Vergelijk de druk op het typeplaatje met de druk op de propaan- of butaangasfles.
- Bewaar nooit gasflessen voor vloeibaar gas op niet-geventileerd plaatsen.
- Bescherm flessen met vloeibaar gas tegen directe zonnestraling. De temperatuur mag niet hoger zijn dan 50°C.
- Indien u gas ruikt:
  - Alle vensters openen en de ruimte verlaten.
  - Geen elektrisch toestel gebruiken en het gebruik van open vlammen vermijden. Hierdoor kan het gas ontsteken.
  - Het ventiel van de gasfles sluiten en gesloten houden, totdat de fout is verholpen.
  - Probeer nooit het lek met een vlam te vinden.
- Het kooktoestel mag niet worden gebruikt tijdens het tanken, in garages en op veerboten.

## 2.3 Veiligheid bij het gebruik van het toestel



### WAARSCHUWING!

- Gebruik lange lucifers of een geschikte aansteker. Het volledige ontstekingsproces moet van boven af zichtbaar zijn en mag niet door daarop geplaatste pannen verdekt zijn.

Trek uw hand snel terug op het moment dat de brander is aangestoken.
- Draag tijdens het gebruik van het kooktoestel geschikte kleding. Draag geen loshangende kledingstukken, die vuur kunnen vatten.

**LET OP!**

- Laat het kooktoestel tot de omgevingstemperatuur afkoelen, voordat u deze met de blote handen aanraakt.
- Houd de omgeving rondom het kooktoestel vrij van vet, alcoholische stoffen, kunststof materiaal en brandbaar textiel (zoals gordijnen, handdoeken, keukenmaterialen).
- Gebruik alleen potten en pannen met een rechte bodem en een diameter, die niet groter is dan het druiprooster dat zich op het kooktoestel bevindt. De potten en pannen moet zo groot zijn, dat ze de vlammen afdekken. Als de vlammen niet worden afgedekt, kunnen er kledingsstukken in de brand raken. Bovendien verbeteren potten en pannen met de juiste grootte de rendabiliteit.
- Let er bij het koken op, dat de potten en pannen veilig staan. Gebruik voor een stabiele stand de meegeleverde pannenhouder.
- Laat de grepen van de potten of pannen nooit boven het kooktoestel uitsteken. Draai de grepen naar binnen, echter zo dat deze zich niet boven de branders bevinden. Daardoor wordt het risico op morsen, het ontvlammen van brandbare stoffen en ernstig letsel verminderd.
- Ga voorzichtig te werk, als u vet of olie verhit. Vet en olie kunnen bij grote hitte ontvlammen.
- Gebruik enkel droge pannenlappen, om stoomvorming te voorkomen. Gebruik geen handdoeken in plaats van pannenlappen omdat deze o.a. vuur kunnen vatten.
- Gebruik het kooktoestel nooit zonder toezicht. Overkokende pannen kunnen rook en brand veroorzaken.
- Zet de regelaar (afb. **1** 1, pagina 2) in de nulstand (0), voordat u de pot of pan van het toestel neemt.
- Gebruik het kooktoestel niet voor het verwarmen van de ruimte.

### 3 Omvang van de levering

- Kooktoestel
- Pannenhouders
- Hitteplaten
- Cardanusringen



- Montagehandleiding en gebruiksaanwijzing

## 4 Gebruik volgens bestemming

De kooktoestellen op vloeibaar gas van de modelseries EK 1600 en EK 3200 van Dometic zijn bestemd voor de montage in vrachtwagens en boten.

## 5 Technische beschrijving

### 5.1 Functie

Het kooktoestel bestaat uit roestvrij staal. Als brandstof wordt vloeibaar gas gebruikt van de categorie I<sub>3</sub> (propan/butaan).

### 5.2 Specificaties van de toestelvarianten

Het kooktoestel is in verschillende uitvoeringen verkrijgbaar.

- **EK 1600:** kooktoestel met één brander
- **EK 3200:** kooktoestel met twee branders

Uw toesteltype kunt u bepalen aan de hand van de modelnaam, die aan de voorzijde van het kooktoestel is aangebracht.

### 5.3 Bedieningselementen

Nr. in afb. <b>1</b> , pag. 2	Beschrijving
1	Regelaar, in drie standen instelbaar (nul, groot, klein) Draaien tegen de klok in opent de gaskraan. Helemaal met de klok mee draaien sluit gaskraan.
2	Pannenhouders

## 6 Kooktoestel monteren

U kunt het kooktoestel in het werkblad van uw keuken monteren.

## 6.1 Montageplaats kiezen

Neem bij de keuze van de montageplaats de volgende aanwijzingen in acht:

- Kies een goed geventileerde plaats voor het toestel.
- Zorg daarbij voor een minimale afstand (afb. **2**, pag. 2) van
  - 150 mm tot de zijwanden
  - 170 mm tot de achterwand
  - 500 mm tussen de brander en het horizontale vlak boven het kooktoestel
  - 10 mm tussen de onderzijde van het kooktoestel en het stavlak
- Let erop, dat er op de montageplaats geen tocht ontstaat. Indien u het kooktoestel monteert in een open cockpit of op andere open plaatsen, monteert u dan ook een extra windbescherming.
- Gebruik het toestel **niet** in explosieve ruimtes.
- Indien er cardanusringen worden gebruikt, zorg er dan voor dat het fornuis vrij kan bewegen.
- Zorg ervoor dat u voldoende ruimte hebt om het cardanisch opgehangen deel te bewegen.

## 6.2 Kooktoestel monteren



### **LET OP! Gevaar voor beschadiging!**

Controleer voor het boren of er geen elektrische kabels of andere delen van het voertuig door boren, zagen en vijlen beschadigd kunnen raken.

Als u geen cardanische ringen gebruikt, monteer het fornuis dan als volgt:

- Bevestig het kooktoestel met vier schroeven.

Monteer de cardanische ringen als volgt (afb. **5**, pag. 4):

- Maak de cardanische zijplaten (**1**) aan het onderste gedeelte van het fornuis vast (**3**) met de meegeleverde moeren en bouten.



### **INSTRUCTIE**

De cardanische armen (**2**) kunnen gedraaid worden om het fornuis (**3**) naar voren of achteren te laten zakken.

- Doe voor de montage van de cardanisch armen (**2**) een test door ze aan de cardanische zijplaten vast te maken (**1**) om te bepalen welk alternatief het beste is voor uw boot.

Zorg ervoor dat de installatie conform afb. **5**, pag. 4 verloopt.

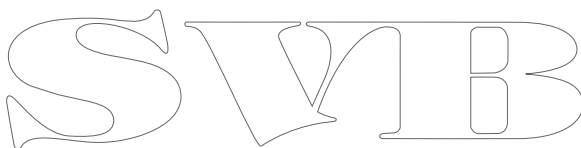
- Plaats de vezelsluitringen (4) met ronde gaten op de cardanische armen (2).
- Til het fornuis in de juiste positie.
- Plaats de vezelsluitringen (5) met elliptische gaten op de cardanische zijarmen (2).
- Haal de schroeven (6) aan.
- Pas de spanning van de schroeven aan de gewenste wrijving aan.

### 6.3 Kooktoestel aansluiten op de gastoevoer



#### **WAARSCHUWING! Gevaar voor letsel!**

Gebruik uitsluitend propaan- of butaangasflessen met gekeurd drukreduceerventiel en passend kopstuk. Vergelijk de druk op het typeplaatje met de druk op de propaan- of butaangasfles.



Neem de volgende aanwijzingen bij het gebruik in acht:

- Gebruik een gasleiding van staalbuis  $\varnothing 8 \times 1\text{ mm}$  (gelast, naadloos staal of nietroestend staal), die u met snijringschroefverbinding dicht monteert.
- Bevestig de buis zo aan een zij- of achterwand van de meubeldelen in de buurt, dat er geen krachten worden overgedragen naar de regelementen.
- Voor het losmaken van de verbinding moet altijd gereedschap nodig zijn. Houd u daarbij aan de technische regels van de DVGW-werkbladen G607 en G608.
- Alle buizen moeten spanningsvrij zijn.
- Houd de lengte van de slangverbinding tot het gastoestel en de toevoer van het vloeibare gas zo kort mogelijk en niet langer dan 750 mm.
- De slangverbinding moet over de volledige lengte toegankelijk zijn voor controle.
- Let er bij de slangverbinding vooral op, dat de slang de werking van de cardanophanging niet beperkt (onder **alle** bedrijfsvoorwaarden: geen trekbelasting of knikken).
- Tijdens het gebruik moeten er ventilatieopeningen met een vrije diameter van ten minste  $150\text{ cm}^2$  beschikbaar zijn in opstelruimte. De openingen kunnen afsluitbaar zijn, maar moeten bij het gebruik van de pit worden geopend.

➤ Verbind het kooktoestel met de gastoevoer.

➤ Breng boven het kooktoestel een bord aan met de volgende tekst:

„Waarschuwing!

Tijdens het koken is het nodig voor extra ventilatie te zorgen, bijv. door het openen van vensters in de buurt van het grill-, kook- en baktoestel. Deze toestellen mogen niet worden gebruikt voor het verwarmen van de ruimte.”

- Let erop dat de slangleiding
  - niet ingeklemd of geknikt is,
  - op veilige afstand van de brander ligt.
- Open het ventiel van de gasfles.



---

**WAARSCHUWING! Gevaar voor letsel!**

Controleer de lekdichtheid nooit bij open vuur of in de buurt van ontstekingsbronnen.

---

- Controleer alle verbindingen met lekspray op lekdichtheid.  
De lekdichtheid is gegarandeerd als er zich geen luchtbellen vormen.

## 7 Kooktoestel gebruiken

### 7.1 Kooktoestel aansteken



#### **WAARSCHUWING! Gevaar voor letsel!**

Gebruik het kooktoestel niet zonder toezicht.

Het volledige ontstekingsproces moet van boven af zichtbaar zijn en mag niet door daarop geplaatste pannen verdekt zijn.



#### **INSTRUCTIE**

Als het fornuis met cardanische ringen in de onderste positie gemonteerd is, moet de bovenzijde van het fornuis volledig recht worden gezet om de brandstoftanks voor vulling te verwijderen.

- Open het ventiel van de gasfles.
- Open de afsluitklep naar het kooktoestel.
- Draai de regelaar van de gewenste pit tegen de klok in van de nulstand (0) op de grote stand (grote vlam).
- Druk de regelaar in en houd hem in deze positie.
- Steek de brander aan met een lucifer of een andere geschikte aansteker. Trek uw hand snel terug op het moment dat de brander is aangestoken.  
Indien de pit is aangestoken, kunt u de draaiknop na ca. 10 seconden loslaten.
- Stel de vlam zo in, dat deze niet boven het oppervlak van de pan uitsteekt.
- Stel de regelaar op de gewenste positie: groot (1,6 kW) of klein (ca. 0,5 kW).

### 7.2 Kooktoestel uitschakelen

- Zet de regelaar op de nulstand.
- ✓ De pit gaat uit.
- Sluit de afsluitklep naar het kooktoestel.

- Indien u het kooktoestel voor langere tijd niet gebruikt, sluit u dan het ventiel van de gasfles.

### 7.3 Gasfles vervangen



#### **WAARSCHUWING! Gevaar voor letsel!**

Vervang de gasfles uitsluitend bij een goede ventilatie.

Let erop dat er geen ontstekingsbron in de buurt is.

Vervang de gasfles uitsluitend als het kooktoestel uitgeschakeld is.

- Schakel het kooktoestel uit, door de regelaar tegen de klok in in de nulstand te draaien.
- Sluit het ventiel van de gasfles volledig.
- Schroef het ventiel van de gasfles af.
- Controleer de toestand van de slangleiding.  
Vervang de slangleiding als het materiaal broos of poreus is.
- Schroef het drukreducerventiel op de nieuwe fles vast.

## 8 Kooktoestel onderhouden

Om veiligheidsredenen is het nodig, het toestel één keer per jaar door een deskundige te laten controleren op een goede werking en eventuele gebreken te laten verhelpen.

- Controleer bij de jaarlijkse controle van het toestel in het bijzonder de volgende functies:
  - controle van gasdichtheid
  - controle van de brandveiligheid en de stabiliteit van de vlam
  - controle van de toevoer van verse lucht
  - controle van de veiligheids- en regelinrichtingen (pitkranen).
- Controleer of de opstelruimte voldoet aan de plaatselijk geldende voorschriften.
- Controleer de volgende onderdelen op vervuiling en reinig deze indien nodig:
  - gasopeningen van de branders,
  - branderkoppen,
  - thermische elementen.

- Controleer of de juiste afstand tussen branderkop en thermische element (ca. 1 – 3 mm) is ingesteld.

## 9 Kooktoestel reinigen



### **LET OP!**

Voor het reinigen geen scherpe of bijtende middelen gebruiken, omdat dit kan leiden tot schade aan het toestel.  
Gebruik in de handel verkrijgbare reinigingsmiddelen.

- Laat het toestel afkoelen, voordat u het gaat reinigen.
- Neem het druirooster van het kooktoestel.
- Reinig het oppervlak van het kooktoestel. Verwijder vooral aangekoekte vet- en olieresten.
- Gebruik in geen geval een stoomstraalreiniger voor het reinigen van het kooktoestel.

## 10 Garantie

De wettelijke garantieperiode is van toepassing. Als het product defect is, wendt u zich tot uw speciaalzaak of tot het filiaal van de fabrikant in uw land (adressen zie achterkant van de handleiding).

Voor de afhandeling van de reparatie of garantie dient u de volgende documenten mee te sturen:

- een kopie van de factuur met datum van aankoop,
- reden van de klacht of een beschrijving van de storing.


## 11 Afvoeren

- Laat het verpakkingsmateriaal indien mogelijk recyclen.



Als u het product definitief buiten bedrijf stelt, informeer dan bij het dichtstbijzijnde recyclingcentrum of uw speciaalzaak naar de betreffende afvoervorschriften.

## 12 Technische gegevens

	Dometic EK 1600	Dometic EK 3200
Art.-nr.:	9103300400	9103300401
Gasverbruik:	115 g/h	230 g/h
Gascategorie:	Categorie I <sub>3</sub> , propaan/butaan	
Aansluitdruk:	AT, DE EE, LT, LV, MT, PL: 30 mbar BE, CH, ES, FR, GB, GR, IE, IT, LU: 28 – 30/37 mbar CY, CZ, DK, FI, HU, IS, NL, NO, SE, SI, SK: 28 – 30 mbar	
Aantal branders:	1	2
Brandervermogen:	1600 W	3200 W
Kooktijd voor 1 l water:	ca. 10 min (afhankelijk van de omgevingsvoorwaarden en de gebruikte pan)	
Afmetingen:	afb. <b>3</b> , pag. 3	afb. <b>4</b> , pag. 3
Gewicht:	2,9 kg	4,2 kg
Keurmerk/certificaat:		



Læs denne vejledning omhyggeligt igennem før ibrugtagning, og gem den. Giv den til brugeren, hvis du giver produktet videre.

## Indhold

1	Forklaring af symbolerne . . . . .	81
2	Generelle sikkerhedshenvisninger . . . . .	82
3	Leveringsomfang . . . . .	84
4	Korrekt brug . . . . .	84
5	Teknisk beskrivelse . . . . .	85
6	Montering af blusset . . . . .	85
7	Anvendelse af blusset . . . . .	88
8	Vedligeholdelse af blusset . . . . .	89
9	Rengøring af blusset . . . . .	90
10	Garanti . . . . .	90
11	Bortskaffelse . . . . .	91
12	Tekniske data . . . . .	91

## 1 Forklaring af symbolerne



---

**ADVARSEL!**

**Sikkerhedshenvisning:** Manglende overholdelse kan medføre død eller alvorlig kvæstelse.

---



---

**VIGTIGT!**

Manglende overholdelse kan medføre materielle skader og begrænse produktets funktion.

---



---

**BEMÆRK**

Supplerende informationer om betjening af produktet.

---

► **Handling:** Dette symbol viser dig, at du skal gøre noget. De påkrævede handlinger beskrives trin for trin.

✓ Dette symbol beskriver resultatet af en handling.

**fig. 1 5, side 3:** Denne information henviser til et element på en figur, i dette eksempel til „Position 5 på figur 1 på side 3“.

## 2 Generelle sikkerhedshenvisninger

Producenten påtager sig intet ansvar for skader i følgende tilfælde:

- Monterings- eller tilslutningsfejl
- Beskadigelser på produktet på grund af mekanisk påvirkning og overspænding
- Ændringer på produktet uden udtrykkelig tilladelse fra producenten
- Anvendelse til andre formål end dem, der er beskrevet i vejledningen

### 2.1 Grundlæggende sikkerhed



#### ADVARSEL!

- Anvend udelukkende F-gas i kategori I<sub>3</sub> (propan/butan). Anvend **ikke** andre brændstoffer.
- Placér en egnet ildslukker inden for rækkevidde. Sørg for, at ildslukkeren kontrolleres med regelmæssige mellemrum af en fagmand.
- Personer (inkl. børn), der på grund af deres fysiske, sanse- eller mentale evner eller deres uerfarenhed eller uvidenhed ikke er i stand til at anvende produktet sikkert, bør kun anvende dette produkt under en ansvarlig persons opsyn eller anvisning.



#### VIGTIGT!

- Anvend kun bluset til det formål, som det er bestemt til.

### 2.2 Sikkerhed i forbindelse med omgang med F-gas



#### ADVARSEL!

- Hold brændbare materialer væk fra varme- og kogeapparater samt andre lys- og varmekilder.

**● Fare for kvælning!**

Sørg for, at området er tilstrækkeligt ventileret, får apparatet tilkobles. Under driften skal der findes ventilationsåbningerne med et frit tværsnit på mindst 150 cm<sup>2</sup> i opstillingsrummet. Disse åbningerne må kunne lukkes, men skal åbnes under driften af blusset (se henvisningsskilt, placeret over blusset).

- Sammenlign trykangivelsen på typeskiltet med trykangivelsen på propan- eller butangasflasken.
- Opbevar aldrig F-gasflasker på steder uden ventilation.
- Beskyt F-gasflasker mod direkte sol. Temperaturen må ikke overskride 50 °C.
- Hvis du bemærker gaslugt:
  - Åbn alle vinduer, og forlad rummet.
  - Tænd ikke elektrisk udstyr, og undgå at anvende åben ild, som kan antænde gassen.
  - Luk gasflaskeventilen, og lad den forblive lukket, indtil fejlen er udbedret.
  - Forsøg aldrig at finde en læk med åben ild.
- Blusset må ikke anvendes under optankning, i garager og på færger.

## 2.3 Sikkerhed under anvendelse af apparatet

**ADVARSEL!**

- Anvend lange tændstikker eller en tilsvarende optænding. Den samlede optænding skal kunne ses oppefra og må ikke tildækkes af gryder, der stillet på blusset.  
Træk hurtigt hånden tilbage, så snart brænderen er tændt.
- Bær tilsvarende tøj, når blusset anvendes.  
Bær ikke løst hængende tøj, som der kan gå ild i.

**VIGTIGT!**

- Lad blusset køle af indtil udenomstemperaturen, før du rører ved det med bare hænder.
- Hold området omkring blusset fri for fedt, alkoholiske substanser, plastikmateriale og brændbart materiale (f.eks. forhæng, håndklæder, køkkenmaterialer).

- Anvend kun gryder og pander med plan bund og en diameter, der ikke er større end gryderisten, der befinder sig på blusset. Gryderne og panderne skal være så store, at de dækker flammerne. Hvis flammerne ikke tildækkes, kan der gå ild i tøj. Derudover er det mere økonomisk at anvende gryder og pander med den rigtige størrelse.
- Sørg for, at gryderne og panderne står sikkert, når du laver mad. Anvend de medleverede grydeholdere for at være sikker på, at de står sikkert.
- Lad aldrig håndtagene på gryder eller pander rage ud over blusset. Drej håndtagene ind – men så de ikke befinder sig over andre brændere. Dermed reduceres faren for at spilde noget, at antænde brændbare materialer og for alvorlige forbrændinger.
- Vær forsigtig, når der opvarmes fedt eller olie. Fedt og olie kan blive antændt ved for høj varme.
- Anvend kun tørre grydelapper, så der ikke dannes damp. Anvend ikke håndklæder el.lign. i stedet for grydelapper, da der kan gå ild i dem.
- Anvend aldrig blusset uden opsyn. Gryder, der koger over, kan medføre røg og brand.
- Stil reguleringen (fig. 1, side 2) på nulstillingen (0), før gryden eller panden tages af.
- Anvend ikke blusset til at opvarme rummet.

### 3 Leveringsomfang

- Blus
- Grydeholder
- Varmeskilte
- Kardanophængning
- Installations- og betjeningsvejledning

### 4 Korrekt brug

F-gas-blusset i modelserierne EK 1600 og EK 3200 fra Dometic er beregnet til installation i biler og på både.

## 5 Teknisk beskrivelse

### 5.1 Funktion

Blusset består af rustfrit stål. Der anvend F-gas i kategori I<sub>3</sub> (propan/butan) som brændstof.

### 5.2 Specifikation for apparatvarianterne

Blusset kan bestilles i forskellige udførelser.

- **EK 1600:** Blus med en brænder
- **EK 3200:** Blus med to brændere

Apparattypen kan findes ved hjælp af modelbetegnelsen, der befinder sig foran på blusset.

### 5.3 Betjeningslementer

Nr. på fig. 1, side 2	Beskrivelse
1	Regulering, kan indstilles på tre positioner (nulstilling, høj stilling, lav stilling) Ved at dreje mod uret åbnes gashanen. Ved at dreje med uret indtil anslag lukkes gashanen.
2	Grydeholder

## 6 Montering af blusset

Blusset kan monteres i arbejdspladen i køkkenet.

### 6.1 Valg af monteringssted

Vær opmærksom på følgende henvisninger ved valg af monteringssted:

- Vælg et godt ventileret sted til apparatet.

- Sørg for at sikre en minimumafstand (fig. **2**, side 2) på
  - 150 mm til væggene til siden
  - 170 mm til den bageste væg
  - 500 mm mellem brænderen og den horisontale flade over blusset
  - 10 mm mellem blussets underside og monteringsfladen
- Sørg for, at der ikke er gennemtræk på monteringsstedet. Montér også en vindskærm, hvis blusset monteres i et åbent cockpit eller andre åbne steder.
- Anvend **ikke** apparatet i rum med eksplosionsfare.
- Hvis der anvendes kardanophænginger, skal blusset kunne dreje frit.
- Sørg for rigeligt plads til kardanophængningens drejebewægelser.

## 6.2 Montering af blusset

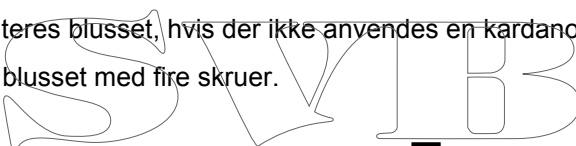


### **VIGTIGT! Fare for beskadigelse!**

Før du borer, skal du kontrollere, at elektriske kabler eller andre dele på køretøjet ikke beskadiges, når der bores, saves eller files.

Sådan monteres blusset, hvis der ikke anvendes en kardanophængning:

- Fastgør blusset med fire skruer.



Sådan monteres kardanophængningerne (fig. **5**, side 4):

- Fastgør sidepladerne på kardanophængningen (1) på den nederste del af kabinettet på blusset (3) med de vedlagte møtrikker og skruer.



### **BEMÆRK**

Ophængningsbøjlerne (2) kan drejes, så blusset (3) kan sændes fremad eller bagud.

- Før ophængningsbøjlerne (2) monteres, ieren, skal de placeres på sidepladerne på ophængningen (1) på prøve. På den måde ved du, hvilken variant der er bedst egnet til din båd.

Sørg for, at monteringen foretages i henhold til fig. **5**, side 4.

- Placér kunststofskiverne (4) med rundboringen på ophængningsbøjlerne (2).
- Løft blusset til den rigtige position.
- Placér kunststofskiverne (5) med langboringerne på sidearmene på ophængningen (2).

- Skru skruerne (6) fast.
- Skru kun skruerne så meget fast, som det er nødvendigt for den ønskede funktion.

### 6.3 Tilslutning af blusset til gasforsyningen



#### **ADVARSEL! Fare for kvæstelser!**

Anvend kun propan- eller butangasflasker med kontrolleret trykreduktionsventil og passende topstykke. Sammenlign trykangivelsen på typeskiltet med trykangivelsen på propan- eller butangasflasken.

Vær opmærksom på følgende henvisninger ved tilslutningen:

- Anvend en gasledning af stålør  $\varnothing 8 \times 1$  mm (svejset, sømløst stål eller rustfrit stål), der monteres tæt ved hjælp af skæreringsforskruning.
- Fastgør rørene på en side- eller bagvæg på de omgivende møbeldele, så aktuatorerne ikke udsættes for en kraftoverføring.
- Forbindelsen må kun kunne løsnes med værktøj. Overhold i den forbindelse de tekniske regler i DVGW-arbejdsbladene G607 og G608.
- Den samlede rørføring skal være uden spænding.
- Hold længden af slangeforbindelsen mellem gasapparatet og F-gasforsyningsanlægget så kort som mulig og ikke længere end 750 mm.
- Der skal være adgang til slangeforbindelsen over hele dens længde af hensyn til kontrol.
- Sørg ved slangeforbindelsen især for, at slangen ikke påvirker kardanophængningens funktion (under **alle** driftsbetingelser: Ingen trækbelastning eller knæk).
- Under driften skal der findes ventilationsåbningerne med et frit tværsnit på mindst  $150 \text{ cm}^2$  i opstillingsrummet. Disse åbninger må kunne lukkes, men skal åbnes under driften af blussene.

- Forbind blusset med gasforsyningen.
- Placér et henvisningsskilt med følgende tekst over blusset:

„ADVARSEL!

Ved madlavning er det nødvendigt at sørge for ekstra ventilation, f.eks. ved at åbne vinduer i nærheden af grill-, koge- og bageapparatet. Disse apparater må ikke anvendes til rumopvarmning.“

- Kontrollér, at slangeforbindelsen
  - ikke klemmes eller knækkes,
  - ligger i en sikker afstand fra brænderen.
- Åbn gasflaskens ventil.

**ADVARSEL! Fare for kvæstelser!**

Kontrollér aldrig tætheden, når flammer brænder, eller i nærheden af antændelseskilder.

- Foretag en tæthedskontrol af alle forbindelser med læksøgningspray. Tætheden er garanteret, når der ikke dannes blærer.

## 7 Anvendelse af blusset

### 7.1 Tænding af blusset

**ADVARSEL! Fare for kvæstelser!**

Anvend ikke blusset uden opsyn.

Den samlede optænding skal kunne ses oppefra og må ikke tildækkes af gryder, der stiller på blusset.

**BEMÆRK**

Når blusset med kardanophængningen er placeret i den nederste position, skal kogefeltet vippes fuldstændigt til oprejst position for at tage brændstofbeholderen ud for at fylde den.

- Åbn ventilen på gasflasken.
- Åbn spærreventilen til blusset.
- Drej reguleringen på det ønskede blus mod uret fra nulstillingen (0) til høj stilling (stor flamme).
- Tryk reguleringen ned, og hold den i denne position.
- Tænd brænderen med en tændstik eller en anden egnet tændanordning. Træk hånden tilbage, så snart brænderen er tændt.  
  
Når blusset er blevet tændt, kan drejeknappen slippes efter ca. 10 sekunder.
- Indstil flammen, så den ikke går ud over grydens flade.



- ▶ Stil reguleringen på den ønskede position: Høj stilling (1,6 kW) eller lav stilling (ca. 0,5 kW).

## 7.2 Frakobling af blusset

- ▶ Stil reguleringen i nulstillingen.
- ✓ Blusset går ud.
- ▶ Luk spærreventilen til blusset.
- ▶ Luk ventilen på gasflasken, hvis blusset tages ud af drift i længere tid.

## 7.3 Udskiftning af gasflasken



### **ADVARSEL! Fare for kvæstelser!**

Udskift kun gasflasken ved god ventilation.

Kontrollér, at der ikke er en antændelseskilde i nærheden.

Udskift kun gasflasken, når blusset er frakoblet.

- ▶ Frakobl blusset ved at dreje reguleringen med uret til nulstillingen.
- ▶ Luk gasflaskens ventil helt.
- ▶ Skru ventilen af gasflasken.
- ▶ Kontrollér slangeforbindelsens tilstand.  
Udskift slangeforbindelsen, hvis materialet er skørt eller porøst.
- ▶ Skru trykreduktionsventilen på den nye flaske.

## 8 Vedligeholdelse af blusset

Af sikkerhedsmæssige årsager er det nødvendigt, at en sagkyndig årligt kontrollerer, at apparatet fungerer fejlfrit, og udbedrer evt. mangler.

- ▶ Kontrollér ved den årlige kontrol af apparatet især følgende funktioner:
  - Kontrol af gastætheden
  - Kontrol af brændsikkerheden og flammestabiliteten.
  - Kontrol af frisklufttilførslen.
  - Kontrol af sikkerheds- og reguleringsanordningerne (blussenes hanner).
- ▶ Kontrollér, om opstillingsrummet opfylder de lokalt gældende forskrifter.

- ▶ Kontrollér følgende komponenter for tilsmudsning, og rengør evt.:
  - Brændernes gasudgangsåbninger
  - Brændhovederne
  - Termoelementet
- ▶ Kontrollér, om den rigtige afstand mellem brænderhoved og termoelement (ca. 1 – 3 mm) er indstillet.

## 9 Rengøring af blusset



### **VIGTIGT!**

Anvend ikke skarpe eller hårde midler til rengøring, da det kan beskadige apparatet.

Anvend almindelige rengøringsmidler.

- ▶ Lad apparatet køle af, før det rengøres.
- ▶ Tag gryderisten af blusset.
- ▶ Rengør blussets overflade. Fjern især klæbende fedt- og olierester.
- ▶ Anvend under ingen omstændigheder en dampstrålerenser til at rengøre blusset.

## 10 Garanti

Den lovbestemte garantiperiode gælder. Hvis produktet er defekt, skal du kontakte din forhandler eller producentens afdeling i dit land (adresser, se vejledningens bagside).

Ved reparation eller krav om garanti skal du medsende følgende bilag:

- En kopi af regningen med købsdato
- En reklamerationsgrund eller en fejlbeskrivelse

## 11 Bortskaffelse

- Bortskaf så vidt muligt emballagen sammen med det tilsvarende genbrugsaffald.



Hvis du tager produktet endegyldigt ud af drift, skal du kontakte det nærmeste recyclingcenter eller din faghandel for at få de pågældende forskrifter om bortskaffelse.

## 12 Tekniske data

	Dometic EK 1600	Dometic EK 3200
Art.nr.:	9103300400	9103300401
Gasforbrug:	115 g/h	230 g/h
Gaskategori:	Kategori I <sub>3</sub> , propan/butan	
Tilslutningstryk:	AT, DE EE, LT, LV, MT, PL: 30 mbar BE, CH, ES, FR, GB, GR, IE, IT, LU: 28 – 30/37 mbar CY, CZ, DK, FI, HU, IS, NL, NO, SE, SI, SK: 28 – 30 mbar	
Antal brændere:	1	2
Brænderydelse:	1600 W	3200 W
Kogetid for 1 l vand:	Ca. 10 min (afhængigt af de omgivende betingelser og den anvendte gryde)	
Mål:	fig. <b>3</b> , side 3	fig. <b>4</b> , side 3
Vægt:	2,9 kg	4,2 kg
Godkendelse/certifikat:		

Läs igenom anvisningarna noga innan produkten tas i drift. Spara bruksanvisningen för senare bruk. Överlämna bruksanvisningen till den nya ägaren vid ev. vidareförsäljning.

## Innehållsförteckning

1	Förklaring till symboler . . . . .	92
2	Allmänna säkerhetsanvisningar . . . . .	93
3	Leveransomfattning . . . . .	95
4	Ändamålsenlig användning . . . . .	96
5	Teknisk beskrivning . . . . .	96
6	Montera gasolköket . . . . .	97
7	Använda gasolköket. . . . .	99
8	Underhåll . . . . .	101
9	Rengöra gasolköket . . . . .	101
10	Garanti . . . . .	102
11	Avfallshantering . . . . .	102
12	Tekniska data . . . . .	103

## 1 Förklaring till symboler



### **VARNING!**

**Observera:** Beaktas anvisningen ej kan det leda till dödsfara eller svåra skador.



### **OBSERVERA!**

Om anvisningarna inte beaktas kan det leda till materialskador och produktens funktion kan påverkas negativt.



### **ANVISNING**

Kompletterande information om användning av produkten.

► **Arbetssteg:** denna symbol står framför en arbetsinstruktion.  
Tillvägagångssättet beskrivs steg för steg.

✓ Denna symbol står framför beskrivningen av resultatet.

**bild 1 5, sidan 3:** anger en detalj på en bild, i detta exempel "position 5 på bild 1 på sidan 3".

## 2 Allmänna säkerhetsanvisningar

Tillverkaren övertar inget ansvar för skador i följande fall:

- monterings- eller anslutningsfel
- skador på produkten, orsakade av mekanisk påverkan eller överspänning
- ändringar som utförts utan uttryckligt medgivande från tillverkaren
- ej ändamålsenlig användning

### 2.1 Allmän säkerhet



#### **WARNING!**

- Använd bara gasol (kategori I<sub>3</sub> (propan/butan)). Använd **inga andra** bränslen.
- Se till att det finns en brandsläckare inom räckhåll.  
Låt regelbundet en behörig servicetekniker kontrollera brandsläckaren.
- Personer (och barn), som på grund av fysiska, sensoriska eller mentala funktionshinder eller på grund av oerfarenhet eller ovetande inte kan använda produkten på ett säkert sätt, bör inte använda denna produkt utan uppsikt eller hjälp av en ansvarig person.



#### **OBSERVERA!**

- Använd endast köket för avsett ändamål.

## 2.2 Säkerhet vid hantering av gasol



### VARNING!

- Placera inte brännbart material i närheten av värmeggregat, spis, ugnar eller andra ljus- och värmekällor.
- **Kvävningsrisk!**  
Sörj för god ventilation innan apparaten slås på. I utrymmet där köket används måste det finnas ventilationsöppningar med fri area på minst 150 cm<sup>2</sup>. Öppningarna kan vara stängbara men de måste vara öppna när utrustningen används (se skylt över gasolköket).
- Jämför tryckangivelsen på typskylten med tryckuppgifterna på propan- eller butangasflaskan.
- Förvara aldrig gasolflaskor i ej ventilerade utrymmen.
- Se till att gasolflaskorna skyddas mot direkt solljus. Temperaturen får inte överskrida 50°C.
- Vid gaslukt:
  - Öppna alla fönster och lämna rummet.
  - Slå inte på några elektriska apparater/anordningar och hantera inte med öppna lågor som kan tända gasen.
  - Stäng gasolflaskans ventil och låt den vara stängd tills felet har åtgärdats.
  - Försök aldrig hitta läckaget med hjälp av öppna lågor.
- Gasolköket får aldrig tändas vid tankning, i garage eller på färjor.

## 2.3 Säkerhet under drift



### VARNING!

- Använd långa tändstickor eller passande tändare. Tändningsförloppet måste kunna iakttas uppifrån och inte täckas över av en kastrull el.dyl.  
Dra genast undan handen när brännaren har tänts.
- Använd lämpliga kläder när du använder gasolköket.  
Använd inte löst hängande plagg som kan fatta eld.



### OBSERVERA!

- Låt gasolköket svalna till omgivningstemperatur innan du tar tag i det med bara händer.

- Se till att det inte finns fett, alkoholhaltiga substanser, plastmaterial eller andra brännbara material (t.ex. gardiner, handdukar, köksmaterial) i närheten av gasolköket.
- Använd endast kastruller och stekpannor med plan botten och en diameter som inte är större än kastrullgallret på gasolköket. Kastrullerna och stekpannorna ska vara så stora att de täcker hela lågan. Om lågan inte är övertäckt kan klädesplagg el.dyl fatta eld.  
Det är dessutom mer ekonomiskt att använda kastruller och stekpannor av passande storlek.
- Se till att kastruller och stekpannor står säkert och stabilt på gasolköket. Använd de medlevererade kastrullhållarna.
- Låt inte kastrullernas och stekpannornas skaft sticka ut utanför gasolköket. Vrid skaften inåt – men inte så att de sitter över någon annan låga. På så sätt minskar risken för brännskador på grund av att man spiller/kastrullen välter och att brännbara material fattar eld.
- Var försiktig när du värmer upp fett eller olja. Fett och olja kan börja brinna om det blir för varmt.
- Använd endast torra grytlappar för att förhindra ångbildning. Använd inte handdukar el.dyl istället för grytlappar, de kan börja brinna.
- Håll alltid apparaten under uppsikt under användning. Innehållet i kastrullen kan koka över och orsaka rök och brand.
- Ställ reglaget (bild **1** 1, sida 2) på nollläget (0) innan du tar bort kastrullen rep. stekpannan från köket.
- Använd inte gasolköket för rumsuppvärmning.

### 3 Leveransomfattning

- Gasolkök
- Kastrullhållare
- Värmskydd
- Hållare
- Monterings- och bruksanvisning

## 4 Ändamålsenlig användning

Gasolköken i modellserien EK 1600 och EK 3200 från Dometic är avsedda för installation i fordon och på båtar.

## 5 Teknisk beskrivning

### 5.1 Funktion

Gasolköket är tillverkat i rostfritt, syrafast stål. Som bränsle används gasol (kategori I<sub>3</sub> (propan/butan)).

### 5.2 Specifikationer, apparatvarianter

Gasolköket finns i olika utföranden.

- **EK 1600:** gasolkök med en brännare
- **EK 3200:** gasolkök med två brännare

Apparattypen framgår av modellbeteckningen som finns på gasolkökets framsida.



### 5.3 Reglage, detaljer

Nr på bild	1	sida 2	Beskrivning
1	Treläges reglage (noll, stor, liten) Öppna gasventilen genom att vrida reglaget moturs. Stäng gasventilen genom att vrida reglaget medurs.		
2	Kastrullhållare		



## 6 Montera gasolköket

Gasolköket kan installeras i kökets arbetsbänk.

### 6.1 Välja monteringsplats

Beakta följande anvisningar vid val av monteringsplats:

- Välj en väl ventilerad plats.
- Min. avståndet (bild **2**, sida 2) måste vara
  - 150 mm till väggarna på sidorna
  - 170 mm till väggen bakom gasolköket
  - 500 mm mellan brännaren och den horisontella ytan ovanför gasolköket
  - 10 mm mellan gasolkökets undersida och uppställningsytan
- Se till att det inte kan uppstå drag på monteringsplatsen. Montera ett extra vindskydd om gasolköket används i en öppen cockpit eller på andra öppna ställen.
- Använd **inte** apparaten i utrymmen där det föreligger explosionsrisk.
- Om hållare används se till att spisen kan svänga fritt.
- Se till att det finns tillräckligt utrymme för hållarnas svängområde.

### 6.2 Montera gasolköket



---

**OBSERVERA! Risk för skador!**

Innan borrar gör: kontrollera att inga elkablar eller andra delar kan skadas genom borrar, sågning eller filning.

---

Om hållarna inte ska användas:

- Sätt fast gasolköket med fyra skruvar.

Montering av hållarna (bild **5**, sida 4):

- Sätt fast hållarens sidoplatser (**1**) nedtill på spishällen (**3**) med medföljande skruvar och bultar.



---

**ANVISNING**

Fästarmarna (**2**) kan vändas så att spishällen (**3**) kan sänkas framåt eller bakåt.

---

- Innan fästarmarna (2) monteras: sätt fast dem på hållarnas sidoplatrar (1) för att testa vilket alterantiv som passar bäst på din båt.

Installationen måste göras enligt bild **5**, sida 4.

- Placera fiberbrickorna (4) med runda hål på fästarmarna (2).
- Lyft spishällen till rätt position.
- Placera fiberbrickorna (5) med ovala hål på fästarmarna på sidorna (2).
- Fäst skruvarna (6).
- Justera skruvarna.

### 6.3 Ansluta gasolköket till gasolflaskan



#### **WARNING!**

Använd endast propan- eller butangasflaskor med provade och godkända tryckreduceringsventiler och passande kopplingsdel. Jämför tryckangivelsen på typskylten med tryckuppgifterna på propan- eller butangasflaskan.

Beakta följande anvisningar vid anslutningen:

- Gasledningen ska vara  $\varnothing 8 \times 1$  mm stålror (svetsat, foglöst eller rostfritt stål) och monteras tätt med skäringsförskruvning.
- Sätt fast rören på en sido- eller bakvägg på intilliggande inredningsdelar (möbler) så att det inte sker någon kraftöverföring till ställdonen.
- Det ska endast gå att lossa anslutningen med verktyg. Beakta även de tekniska reglerna i DVGW-arbetsblad G607 och G608.
- Hela rörledningen måste vara spänningsfri.
- Slangen mellan gasolköket och gasolanläggningen (gasolförsörjningen) ska vara så kort som möjligt - inte längre än 750 mm.
- Hela slangledningen måste vara tillgänglig för inspektion.
- Se särskilt till att kardanupphängningens funktion inte påverkas av slangen (**aldrig**: dragbelastning eller böjar).
- I utrymmet där köket används måste det finnas ventilationsöppningar med fri area på minst  $150 \text{ cm}^2$ . Öppningarna kan vara stängbara men de måste vara öppna när utrustningen används.

- Koppla ihop gasolköket och gasolflaskan.
- Häng upp en skylt med följande text över gasolköket:

”VARNING!

Sörj för extra ventilation vid matlagning, öppna t.ex. fönstren i närheten av grill, gasolkök eller ugn.

De här apparaterna får inte användas för rumsuppvärmning.”

- Se till att slangledningen
  - inte kläms eller böjs,
  - ligger på säkert avstånd från brännaren.
- Öppna gasolflaskans ventil.



### **VARNING!**

Kontrollera aldrig tätheten i närheten av öppna lågor eller tändkällor.

- Kontrollera tätheten på alla anslutningar/kopplingar med läckspray. Om det inte bildas bubblor är anslutningarna/kopplingarna täta.

## **7**

# **Använda gasolköket**



### **7.1**

## **Tända gasolköket**



### **VARNING!**

Låt aldrig gasolköket stå utan uppsikt när det är tänd.

Tändningsförloppet måste kunna iakttas uppifrån och inte täckas över av en kastrull el.dyl.



### **ANVISNING**

Om ugnen monteras med hållarna är i det nedre läget måste spis-hällen fällas upp till lodrätt läge för att bränslebehållarna ska kunna tas bort för påfyllning.

- Öppna gasolflaskans ventil.
- Öppna avstängningsventilen till gasolköket.
- Vrid reglaget till önskad låga moturs, från nollläget (0) till stor låga (symbol).
- Tryck in reglaget och håll det intrycket.

- Tänd brännaren med en tändsticka eller en lämplig tändare. Dra genast undan handen när brännaren har tänts.  
När lågan har tänts: släpp reglaget efter ca 10 sekunder.
- Ställ in lågan så att den inte når ut utanför kastrullens yta.
- Ställ reglaget på önskat läge: stor låga (1,6 kW) eller liten låga (ca 0,5 kW).

## 7.2 Stänga av gasolköket

- Ställ reglaget på noll.
- ✓ Lågan slocknar.
- Stäng avstängningsventilen till gasolköket.
- Om gasolköket ska stå oanvänt under längre tid: stäng gasolflaskans ventil.

## 7.3 Byta gasolflaska



### **WARNING!**

Byt endast gasolflaskor i utrymmen med god ventilation.  
Se till att det inte finns några tändkällor i närheten.  
Byt endast gasolflaska när gasolköket är avstängt.

- Stäng av gasolköket genom att vrida reglaget medus till nollläget.
- Stäng gasolflaskans ventil helt.
- Skruva bort ventilen från gasolflaskan.
- Kontrollera slangledningens skick.  
Byt slangledning om materialet har blivit sprött eller poröst.
- Skruva fast tryckreduceringsventilen på den nya flaskan.

## 8 Underhåll

Gasolkökets funktion ska, av säkerhetsskäl, kontrolleras av en behörig servicetekniker en gång om året. Eventuella fel och brister ska åtgärdas.

- ▶ Kontrollera särskilt följande funktioner vid den årliga kontrollen:
  - gastäthet
  - brännsäkerhet och lågans stabilitet
  - lufttillförsel
  - säkerhets- och regleringsanordningar (ventiler till lågorna).
- ▶ Kontrollera att utrymmet där gasolköket är installerat uppfyller kraven i gällande bestämmelser.
- ▶ Kontrollera följande komponenter med avseende på nedsmutsning och rengör vid behov:
  - brännarnas gasutlopp,
  - brännarhuvuden,
  - termoelement.
- ▶ Kontrollera att rätt avstånd är inställt mellan brännarhuvud och termoelement (ca 1 – 3 mm).

## 9 Rengöra gasolköket



### **OBSERVERA!**

Använd inga vassa eller hårda föremål för att rengöra apparaten, den kan skadas.

Använd endast vanliga rengöringsmedel.

- ▶ Se till att apparaten svalnar innan den rengörs.
- ▶ Ta bort kastrullgallret från köket.
- ▶ Rengör gasolkökets utsida. Ta särskilt bort fett- och oljerester.
- ▶ Använd aldrig ångtvätt för att rengöra gasolköket.

## 10 Garanti

Den lagstadgade garantitiden gäller. Om produkten är defekt: kontakta återförsäljaren eller tillverkarens kontor i ditt land (adresser, se bruksanvisningens baksida).

Vid reparations- resp. garantiärenden ska följande skickas med:

- en kopia på fakturan med inköpsdatum,
- en reklamationsbeskrivning/felbeskrivning.

## 11 Avfallshantering

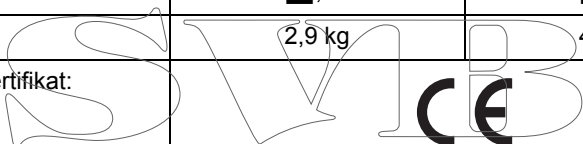
► Lämna om möjligt förpackningsmaterialet till återvinning.



När produkten slutgiltigt tas ur bruk: informera dig om gällande bestämmelser hos närmaste återvinningscentral eller hos återförsäljaren.

SVIB

## 12 Tekniska data

	Dometic EK 1600	Dometic EK 3200
Artikelnummer:	9103300400	9103300401
Gasförbrukning:	115 g/h	230 g/h
Gaskategori:	Kategori I <sub>3</sub> , propan/butan	
Anslutningstryck:	AT, DE EE, LT, LV, MT, PL: 30 mbar BE, CH, ES, FR, GB, GR, IE, IT, LU: 28 – 30/37 mbar CY, CZ, DK, FI, HU, IS, NL, NO, SE, SI, SK: 28 – 30 mbar	
Antal brännare:	1	2
Brännareffekt:	1600 W	3200 W
Kokningstid för 1 l vatten:	ca 10 min (beroende på omgivningsförhållanden och kastrull)	
Mått:	bild <b>3</b> , sida 3	bild <b>4</b> , sida 3
Vikt:	2,9 kg	4,2 kg
Provning/certifikat:		

Les bruksanvisningen nøye før du tar i bruk apparatet, og ta vare på den. Hvis produktet selges videre, må du sørge for å gi bruksanvisningen videre også.

## Innhold

1	Tips for bruk av bruksanvisningen . . . . .	104
2	Generelle sikkerhetsregler . . . . .	105
3	Leveringsomfang . . . . .	107
4	Tiltenkt bruk . . . . .	108
5	Teknisk beskrivelse . . . . .	108
6	Montere koker . . . . .	109
7	Bruke kokeren . . . . .	112
8	Vedlikeholde koker . . . . .	113
9	Rengjøre kokeren . . . . .	114
10	Garanti . . . . .	114
11	Deponering . . . . .	114
12	Tekniske data . . . . .	115

## 1 Forklaring til symbolene



---

**ADVARSEL!**

**Sikkerhetsregel:** Hvis man ikke overholder denne regelen, kan det føre til død eller alvorlig skade.

---



---

**PASS PÅ!**

Hvis man ikke overholder denne regelen, kan det føre til materielle skader og skade funksjonen til produktet.

---



---

**MERK**

Utfyllende informasjon om bruk av produktet.

---



► **Handling:** Dette symbolet indikerer at du må gjøre noe. De nødvendige handlingene beskrives trinnvis.

✓ Dette symbolet beskriver resultatet av en handling.

**fig. 1 5, side 3:** Denne angivelsen henviser til et element i en illustrasjon, i dette eksemplet til «Posisjon 5 i illustrasjon 1 på side 3».

## 2 Generelle sikkerhetsregler

Produsenten tar i følgende tilfeller intet ansvar for skader:

- Montasje- eller tilkoblingsfeil
- skader på produktet på grunn av mekanisk påvirkning og overspenninger
- endringer på produktet uten at det er gitt uttrykkelig godkjenning av produsenten
- Bruk til andre formål enn det som er beskrevet i veiledningen

### 2.1 Grunnleggende sikkerhet



#### ADVARSEL!

- Bruk kun flytende gass i kategori I<sub>3</sub> (propan/butan). Bruk **ikke** andre brennstoffer.
- Bring en egnet brannslukker innen rekkevidde. Sørg for at brannslukkeren kontrolleres regelmessig av en fagperson.
- Personer (inklusive barn) som på grunn av sine fysiske, sensoriske eller mentale ferdigheter eller på grunn av sin uerfarenhet eller manglende kjennskap ikke er i stand til å bruke produktet, må ikke bruke dette produktet uten oppsyn eller anvisning fra en ansvarlig person.



#### PASS PÅ!

- Bruk kokeren kun til tiltenkt formål.

## 2.2 Sikkerhet ved bruk av flytende gass



### ADVARSEL!

- Hold brennbare stoffer på avstand fra varme- og kokeapparater, samt andre lys- og varmekilder.
- **Kvelningsfare!**  
Kontroller før du tar i bruk apparatet at området er tilstrekkelig ventilert. Under drift må lufteåpningene ha et fritt tverrsnitt på minst 150 cm<sup>2</sup> i oppstillingsrommet. Disse åpningene kan være lukkbare, men ved drift av ildstedet må de være åpne (se advarselsskilt som finnes over kokeren).
- Sammenlign trykkangivelsen på typeskiltet med trykkangivelsen på propan- eller butangassflasken.
- Oppbevar aldri flytende gassflasker på steder som ikke er ventilerte.
- Utsett ikke flasker med flytende gass for direkte sollys. Temperaturen må ikke overskride 50 °C.
- Når du oppdager gasslukt:
  - Åpne alle vinduer og forlat rommet.
  - Ikke betjen noen elektriske innretninger og unngå bruk av åpne flammer som kan tenne på gassen.
  - Lukk gassflaskeventilen og la den være lukket inntil feilen rettes.
  - Forsøk aldri å finne lekkasjen med hjelp av en åpen flamme.
- Kokeren skal ikke brukes ved tanking og i garasjer og på ferjer.

## 2.3 Sikkerhet ved bruk av apparatet



### ADVARSEL!

- Bruk lange fyrstikker eller en tilsvarende påtenningsinnretning. Hele tennforløpet må alltid være synlig ovenfra og skal ikke tildekkes gjennom oppstilte kokekar.  
Trekk hurtig tilbake hånden, så snart brenneren er påtent.
- Bruk passende bekledding ved bruk av kokeren.  
Ikke bruk klær som henger løst og som kan antennes.



### PASS PÅ!

- La kokeren kjøle seg ned til omgivelsestemperatur før du berører den med bare hender.

- Hold området rundt kokeren fritt for fett, alkoholholdige stoffer, plastmaterialer og brennbart stoff (f.eks. gardiner, håndklær, kjøkkenmaterialer).
- Bruk kun kokekar og panner med jevn bunn og en diameter som ikke er større enn toppristen som befinner seg på kokeren. Kokekarene og pannene skal være store nok til å dekke flammene. Hvis flammene ikke dekkes, kan klær antennes. Dessuten forbedrer kokekar og panner i riktig størrelse også effektiviteten.
- Se til at kokekar og panner er sikkert plassert ved matlaging. Bruk den medfølgende kokekarholderen for en stabil stand.
- La aldri grepene for kokekar eller panner komme utenfor kokeren. Drei grepene innover – men på en slik måte at de ikke befinner seg over andre brennere. Dermed blir faren for søl, antenning av brennbare stoffer og alvorlige forbrenninger redusert.
- Vær forsiktig når du varmer opp fett eller olje. Fett og olje kan antennes ved for høy varme.
- Bruk kun tørre grytekluter for å unngå dampdannelse. Ikke bruk håndklær el. lign. i stedet for grytelapper, da disse kan antennes.
- Kokeren skal aldri brukes uten tilsyn. Overkokelser kan forårsake røyk og brann.
- Still inn regulatoren (fig. **1** 1 side 2) på null (0) før du tar av kokekaret hhv. pannen.
- Ikke bruk kokeren til å varme opp rommet.

### 3 Leveringsomfang

- Koker
- Kokekarholder
- Varmeskilt
- Kardangopphengi
- Montasje- og bruksanvisning

## 4 Tiltent bruk

Flytende gasskokere i seriene EK 1600 og EK 3200 fra Dometic er beregnet til innbygging i biler og båter.

## 5 Teknisk beskrivelse

### 5.1 Funksjon

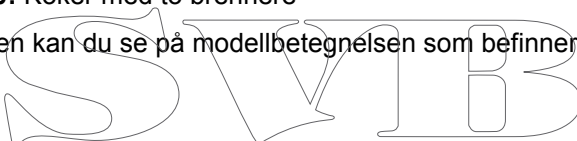
Kokeren består av edelstål. Som brennstoff brukes flytende gass i kategori I<sub>3</sub> (propan/butan).

### 5.2 Spesifikasjoner til apparatvariantene

Kokeren leveres i forskjellige utførelser.

- **EK 1600:** Koker med en brenner
- **EK 3200:** Koker med to brennere

Apparattypen kan du se på modellbetegnelsen som befinner seg foran på kokeren.



### 5.3 Betjeningselementer

Nr. i fig. <b>1</b> , side 2	Beskrivelse
1	Regulator, kan stilles i tre posisjoner (nullstilling, høy stilling, lav stilling). Dreining mot klokken åpner gasskranen. Dreining med klokken til anslag lukker gasskranen.
2	Kokekarholder

## 6 Montere koker

Du kan bygge inn kokeren i arbeidsbengen på kjøkkenet.

### 6.1 Velge innbyggingssted

Pass på følgende ved valg av montasjested:

- Veg et montasjested med god lufting.
- Oppretthold en minsteavstand (fig. **2**, side 2) på
  - 150 mm til sideveggene
  - 170 mm til bakveggen
  - 500 mm mellom brenneren og den horisontale flaten over kokeren
  - 10 mm mellom kokerens underside og standflaten
- Pass på at det ikke er noen gjennomtrekk på monteringsstedet. Hvis du monterer kokeren i en åpen cockpit eller andre åpne steder, monter i tillegg en vindbeskyttelse.
- Bruk ikke apparatet der det er eksplosjonsfare.
- Når kardangoppheng blir benyttet, må man forsikre seg om at kokeapparatet kan svinge fritt.
- Sørg for at det er rikelig med plass for svingbevegelsene til kardangopphenget.

### 6.2 Montere koker



#### **PASS PÅ! Fare for skade!**

Før du borer noe som helst, må du forsikre deg om at ingen elektriske kabler eller andre deler på kjøretøyet kan skades av boring, saging og filing.

Slik monterer du inn kokeapparatet hvis du ikke bruker kardangoppheng:

- Fest kokeren med de fire skruer.

Slik monterer du kardangopphengene (fig. **5**, side 4):

- Fest sideplatene til kardangopphenget (**1**) på den nedre delen av kokeapparatets kapsling (**3**) med de vedlagte mutrene og skruene.

**MERK**

Opphengsbøylene (2) kan dreies, slik at kokeapparatet (3) kan senkes framover eller bakover.

- Før du monterer opphengsbøylene (2), plasserer du den på prøve på sidenplatene til opphenget (1). På denne måten finner du ut hvilke varianter som er best egnet for din båt.

Forsikre deg om at innmonteringen gjøres iht. fig. **5**, side 4.

- Plasser plastskivene (4) med det runde hullet på opphengsbøylene (2).
- Løft kokeapparatet i riktig stilling.
- Plasser plastskivene (5) med de lange hullene på sidearmene til opphenget (2).
- Trekk til skruene (6).
- Trekk til skruene bare så mye som er nødvendig for å oppnå ønsket funksjon.

### 6.3 Koble kokeren til gassforsyningen

**ADVARSEL! Fare for skade!**

Bruk kun propan- eller butangassflasker med testet trykkreduksjonsventil og et hodestykke som passer. Sammenlign trykkangivelsen på typeskiltet med trykkangivelsen på propan- eller butangassflasken.

Vær oppmerksom på følgende ved tilkobling:

- Bruk en gassledning i stålrør  $\varnothing$  8 x 1 mm (sveiset, sømfritt stål eller rustfritt stål), som du monterer tett ved hjelp av en kuttering.
- Fest rørene til en side- eller bakvegg på de omgivende møblene slik at det ikke skjer noen energioverføring til stilleleddene.
- Forbindelsen skal kun være løselig med verktøy. Overhold de tekniske reglene i DVGW-arbeidsbladene G607 og G608.
- Den totale rørleggingen må være spenningsfri.
- Hold lengden på slangeforbindelsen mellom gassapparatet og det flytende gassforsyningsanlegget så kort som mulig og ikke lenger enn 750 mm.
- Slangeforbindelsen må være tilgjengelig over hele lengden for kontroll.

- Se spesielt til ved slangekoblingen at slangen ikke forringer funksjonen til kardangopphenget (under **alle** driftsbetingelser: ingen trekkbelastning eller knekk).
  - Under drift må lufteåpningene ha et fritt tverrsnitt på minst 150 cm<sup>2</sup> i oppstillingsrommet. Disse åpningene kan være lukkbare, men ved drift av ildstedet må de være åpne.
- Koble kokeren til gassforsyningen.
- Anbring et advarselskilt med følgende tekst over kokeren:
- «ADVARSEL!  
Ved koking er det nødvendig å sørge for ekstra lufting, f. eks. gjennom åpning av vinduer i nærheten av grill-, koke- og bakeapparatet.  
Disse apparatene må ikke brukes til romoppvarming.»
- Påse at slangeledningen
- ikke blir klemt eller skarpt bøyd,
  - ligger i sikker avstand fra brenneren.
- Åpne ventilen på gassflasken.

**ADVARSEL! Fare for skade!**

Sjekk aldri at flasken er tett ved hjelp av åpen flamme eller i nærheten av tennkilder.

- Kontroller om alle forbindelser er tette med lekkasjesøkespray. Alt er tett når det ikke danner seg blærer.

## 7 Bruke kokeren

### 7.1 Tenne på kokeren

**ADVARSEL! Fare for skade!**

Kokeren skal aldri brukes uten tilsyn.

Hele tennforløpet må alltid være synlig ovenfra og skal ikke tildekkes gjennom oppstilte kokekar.

**MERK**

Når kokeapparatet med kardangoppheget er plassert i laveste posisjon, må kokeområdet slås opp i fullstendig oppreist stilling for å ta ut drivstoffbeholderne for å fylle dem.

- Åpne ventilen på gassflasken.
- Åpne sperreventilen til kokeren.
- Drei regulatoren for ønsket brennsted mot klokken fra nullstillingen (0) til høy stilling (høy flamme).
- Trykk inn regulatoren og hold den i denne posisjonen.
- Tenn på brenneren med en fyrstikk eller en annen egnet påtenningsinnetning. Trekk tilbake hånden, så snart brenneren er påtent.

Når ildstedet er antent, kan du slippe dreiehodet etter ca. 10 sekunder.

- Still inn flammen slik at den ikke kommer ut over bunnen på kokekaret.
- Sett regulatoren på ønsket posisjon: Høy stilling (1,6 kW) eller lav stilling (ca. 0,5 kW).

### 7.2 Slå av kokeren

- Sett regulatoren i nullstilling.
- ✓ Ildstedet slukker.
- Lukk sperreventilen til kokeren.
- Hvis du ikke skal bruke kokeren på en stund, lukker du ventilen på gassflasken.



## 7.3 Bytte gassflaske



### **ADVARSEL! Fare for skade!**

Bytt gassflasken kun på steder hvor det er god lufting.  
Pass på at det ikke er tennkilder i nærheten.  
Bytt gassflasken kun når kokeren er avslått.

- ▶ Slå av kokeren samtidig som du dreier regulatoren med klokken til nullstilling.
- ▶ Lukke ventilen på gassflasken helt.
- ▶ Skru ventilen av gassflasken.
- ▶ Kontroller tilstanden til slangeledningen.  
Bytt slangeledningen hvis den er sprø eller porøs.
- ▶ Skru trykkreduksjonsventilen fast på den nye flasken.

## 8 Vedlikeholde koker

Av sikkerhetsgrunner er det nødvendig at apparatet årlig kontrolleres årlig av en fagperson for lytefri funksjon og eventuelt repareres.

- ▶ Kontroller ved den årlige kontrollen av apparatet spesielt følgende funksjoner:
  - Kontroll av gasstetthet
  - Kontroll av brennsikkerheten og flammestabiliteten
  - Kontroll av frisklufttilførsel
  - Kontroll av sikkerhetens og regulatorinnretningene (ildstedskraner)
- ▶ Kontroller om oppstillingsrommet stemmer overens med de forskriftene som gjelder på stedet.
- ▶ Kontroller følgende komponenter for tilsmussing og gjennomfør eventuelt en rengjøring:
  - gassutløpsåpninger på brenneren,
  - brennerhoder,
  - termoelement.
- ▶ Kontroller om den riktige avstanden mellom brennerhodet og termoelementet (ca. 1 - 3 mm) er stilt inn.

## 9 Rengjøre kokeren



### **PASS PÅ!**

Bruk ikke skarpe eller harde hjelpemidler til rengjøring, da det kan skade apparatet.

Bruk vanlig tilgjengelige rengjøringsmidler.

- ▶ Avkjøl apparatet før du rengjør det.
- ▶ Fjern kokekarristen fra kokeren.
- ▶ Rengjør kokeroverflatene. Fjern spesielt klebrige fett- og oljerester.
- ▶ Bruk ikke i noe tilfelle dampstrålerengjøringsinnretning til å rengjøre kokeren.

## 10 Garanti

Lovmessig garantitid gjelder. Hvis produktet skulle være defekt, kontakter du din faghandler eller produsentens filial i ditt land (du finner adressene på baksiden av veiledningen).

Ved henvendelser vedrørende reparasjon eller garanti, må du sende med følgende dokumentasjon:

- kopi av kvitteringen med kjøpsdato,
- årsak til reklamasjonen eller beskrivelse av feilen.


## 11 Deponering

- ▶ Lever emballasje til resirkulering så langt det er mulig.



Når du tar produktet ut av drift for siste gang, må du sørge for å få informasjon om deponeringsforskrifter hos nærmeste resirkuleringsstasjon eller hos din faghandler.

## 12 Tekniske data

	Dometic EK 1600	Dometic EK 3200
Art.nr.:	9103300400	9103300401
Gassforbruk:	115 g/h	230 g/h
Gasskategori:	Kategori I <sub>3</sub> , propan/butan	
Tilkoblingstrykk:	AT, DE EE, LT, LV, MT, PL: 30 mbar BE, CH, ES, FR, GB, GR, IE, IT, LU: 28 – 30/37 mbar CY, CZ, DK, FI, HU, IS, NL, NO, SE, SI, SK: 28 – 30 mbar	
Antall brennere:	1	2
Brennereffekt:	1600 W	3200 W
Koketid for 1 l vann:	ca. 10 min (uavhengig av omgivelsesbetingelsene og det brukte kokekaret)	
Mål:	fig. 3, side 3	fig. 4, side 3
Vekt:	2,9 kg	4,2 kg
Test/Sertifikat:		

Lue tämä ohje huolellisesti läpi ennen käyttöönottoa ja säilytä ohje hyvin. Jos myyt tuotteen eteenpäin, anna ohje tällöin edelleen uudelle käyttäjälle.

## Tilavuus

1	Symbolien selitys . . . . .	116
2	Yleisiä turvallisuusohjeita . . . . .	117
3	Toimituskokonaisuus . . . . .	119
4	Määräysten mukainen käyttö . . . . .	119
5	Tekninen kuvaus . . . . .	120
6	Keittimen asennus . . . . .	120
7	Keittimen käyttö . . . . .	123
8	Keittimen huoltaminen . . . . .	124
9	Keittimen puhdistus . . . . .	125
10	Tuotevastuu . . . . .	125
11	Hävittäminen . . . . .	126
12	Tekniset tiedot . . . . .	126

## 1 Symbolien selitys



### **VAROITUS!**

**Turvallisuusohje:** Huomiotta jättäminen voi aiheuttaa hengenvaaran tai vakavan loukkaantumisen.



### **HUOMAUTUS!**

Huomiotta jättäminen voi johtaa materiaalivaurioihin ja haitata tuotteen toimintaa.



### **OHJE**

Tuotteen käyttöä koskevia lisätietoja.

- ▶ **Menettely:** Tämä symboli ilmaisee, että sinun tulee tehdä jotakin. Tarvittava menettely kuvataan askel askeleelta.
- ✓ Tämä symboli kuvailee menettelyn tuloksen.

**kuva 1 5, sivulla 3:** Tämä tieto viittaa kuvassa olevaan elementtiin, tässä esimerkissä ”kohteeseen 5 kuvassa 1, sivulla 3”.

## 2 Yleisiä turvallisuusohjeita

Valmistaja ei ota mitään vastuuta vahingoista seuraavissa tapauksissa:

- asennus- tai liitäntävirheet
- tuotteeseen mekaanisen vaikutuksen tai ylijännitteiden takia syntyneet vauriot
- tuotteeseen ilman valmistajan nimenomaista lupaa tehdyt muutokset
- käyttö muuhun kuin käyttöohjeessa ilmoitettuun tarkoitukseen

### 2.1 Perusturvallisuus



#### **VAROITUS!**

- Käytä ainoastaan kategorian I<sub>3</sub> nestekaasua (propaani/butaani). **Älä** käytä muita polttoaineita.
- Säilytä lähellä sopivaa sammutusvälinettä. Huolehdi siitä, että alan ammattilainen tarkastaa sammutusvälineen säännöllisin väliajoin.
- Henkilöiden (mukaan lukien lapset), jotka eivät voi käyttää tuotetta turvallisesti fyysisten, sensoristen tai psyykkisten taitojensa takia, tai kokemattomuuden tai tietämättömyyden vuoksi, ei tulisi käyttää tuotetta ilman valvontaa tai vastuullisen henkilön ohjeita.



#### **HUOMAUTUS!**

- Käytä keitintä ainoastaan tarkoituksenmukaisesti.

## 2.2 Turvallisuus nestekaasua käsiteltäessä



### VAROITUS!

- Pidä palavat aineet kaukana lämmitys- ja keittolaitteista sekä muista valo- ja lämpölähteistä.
- **Tukehtumisriski!**  
Ennen laitteen kytkemistä päälle on huolehdittava siitä, että alue on ilmastoitu riittävästi. Käytön aikana käyttötilassa on oltava vähintään 150 cm<sup>2</sup>:n halkaisijan kokoiset tuuletusaukot. Nämä aukot voivat olla suljettavia, ne tulee kuitenkin avata tuulisijaa käytettäessä (katso ohjekilpi keittimen yläpuolella).
- Vertaa tyyppikilven painetietoja propaani- tai butaani-kaasupullon painetietoihin.
- Nestekaasupulloja ei saa säilyttää ilmastoimattomassa tilassa.
- Suojaa nestekaasupullot suoralta auringonpaisteelta. Lämpötila ei saa ylittää 50 °C:ta.
- Jos havaitset kaasunhajua:
  - Avaa kaikki ikkunat ja poistu tilasta.
  - Älä käytä sähkölaitteita, vältä myös avotulen käsittelyä, koska se voi sytyttää kaasun.
  - Sulje kaasupullon venttiili ja anna sen olla suljettuna, kunnes vika poistetaan.
  - Älä koskaan yritä löytää vuotoa avotulen avulla.
- Keitintä ei saa käyttää tankattaessa eikä autotallissa eikä lautalla.

## 2.3 Laitteen käyttöturvallisuus



### VAROITUS!

- Käytä pitkiä tulitikkuja tai sopivaa sytytintä. Sytytystapahtuma tulee olla avoin ylhäältä eikä sitä saa peittää kattiloilla. Vedä kätesi heti pois, kun poltin on syttynyt.
- Käytä keittimen kanssa sopivaa vaatetusta. Älä käytä löysiä vaatteita, joihin tuli voi tarttua.



### HUOMAUTUS!

- Anna keittimen jäähtyä ympäristön lämpötilaan, ennen kuin kosket siihen paljain käsin.

- Pidä alue ja keitin puhtaana rasvasta, alkoholipohjaisista aineista, muovista ja palavista aineista (esim. verhot, pyyhkeet, keittiömateriaalit).
- Käytä ainoastaan sellaisia kattiloita ja pannuja, joissa on tasainen pohja ja joiden halkaisija ei ylitä keittimen ylläolevaa keittoritilää. Kattiloiden ja pannujen tulee olla niin suuria, että ne peittävät liekit. Vaatteet voivat syttyä tuleen, jos liekit eivät peity. Oikean kokoiset kattilat ja pannut parantavat myös taloudellisuutta.
- Huomioi keittäessäsi, että kattilat ja pannut ovat varmasti pystyssä. Varmista pysyvyys oheisella kattilapidikkeellä.
- Älä anna kattiloiden tai pannujen kahvojen roikkua keittimen yli. Taita kahvat sisään, mutta kuitenkin niin, etteivät ne ole muiden polttimien päällä. Siten vähennetään roiskumisen, syttyvien aineiden ja vakavien palovammojen riskiä.
- Lämmitä rasvaa ja öljyä erittäin varovasti. Rasva ja öljy voivat syttyä, jos lämpötila on liian korkea.
- Käytä ainoastaan kuivia pannulappuja, ettei höyryä pääse muodostumaan. Älä käytä pannulappujen sijasta pyyhkeitä tai vastaavia, koska tuli voi tarttua näihin.
- Älä jätä keitintä koskaan ilman valvontaa. Ylikiehuvat kattilat aiheuttavat savua ja palovaaran.
- Aseta säädin (kuva 1, sivulla 2) nolli-asentoon (0), ennen kuin otat kattilan tai pannun pois.
- Keitintä ei saa käyttää huoneen lämmitykseen.

### 3 Toimituskokonaisuus

- Keitin
- Kattilapidike
- Lämmityskilvet
- Keinuripustimet
- Asennus- ja käyttöohje

### 4 Määräysten mukainen käyttö

Dometic mallisarjan EK 1600 ja EK 3200 nestekaasukeittimet on takoitettu asennettavaksi suuriin ajoneuvoihin ja veneisiin.

## 5 Tekninen kuvaus

### 5.1 Toiminto

Keitin on jaloterästä. Polttoaineena käytetään kategorian I<sub>3</sub> nestekaasua (propaani/butaani).

### 5.2 Laittevarianttien erikoisuudet

Keitintä saa eri varustuksilla.

- **EK 1600:** Keitin yhdellä polttimella
- **EK 3200:** Keitin kahdella polttimella

Laitteesi tyyppin saat keittimen edessä olevan mallikuvauksen perusteella.

### 5.3 Käyttölaitteet

Nro kuva <b>1</b> , sivulla 2	Kuvaus
1	Säädin, säädettävissä kolmeen asentoon (nolla-asento, suuri, pieni) Kääntäminen vastapäivään avaa kaasuhanan. Kääntäminen myötäpäivään sulkee kaasuhanan.
2	Kattilapidike

## 6 Keittimen asennus

Voit asentaa keittimen keittiösi työtasolle.

### 6.1 Asennuspaikan valinta

Noudata asennuspaikkaa valitessasi seuraavia ohjeita:

- Valitse laitteelle hyvin ilmastoitu paikka.
- Varmista vähimmäisetäisyys (kuva **2**, sivulla 2)
  - 150 mm sivuseiniin
  - 170 mm takaseinään
  - 500 mm polttimen ja keittimen yllä olevan vaakatasoisen pinnan välillä
  - 10 mm keittimen alapuolen ja alustan välillä



- Huomioi, ettei asennuspaikalla ole läpivetoa.  
Jos asennat keittimen avoimeen ohjaamoon tai muulle avoimelle paikalle, asenna lisäksi tuulensuoja.
- **Älä** käytä paikoissa, joissa olemassa on räjähdysvaara.
- Jos käytät keinuripustimia, varmista, että keitin voi keinua vapaasti.
- Varmista, että tila riittää liedен keinumiseen.

## 6.2 Keittimen asennus



### **HUOMAUTUS! Vahingoittumisriski!**

Ennen kuin teet mitään reikiä, varmista, että poraaminen, sahaaminen tai viilaaminen ei vahingoita sähköjohtoja tai ajoneuvon muita osia.

Jos et käytä keinuripustimia, asenna keitin seuraavalla tavalla:

- Kiinnitä keitin neljällä ruuvilla.

Asenna keinuripustimet seuraavalla tavalla (kuva **5**, sivulla 4):

- Kiinnitä keinuripustinten sivulevyt **(1)** keittimen alempaan runkoon **(3)** mukana toimitetuilla ruuveilla ja muttereilla.



### **OHJE**

Keinuripustinten varsia **(2)** voi kääntää, jotta keitin **(3)** voidaan laskea alemmas eteen tai taakse.

- Ennen keinuripustinten varsien **(2)** asentamista tee testi kiinnittämällä ne keinuripustinten sivulevyihin **(1)**. Näin näet, mikä vaihtoehto on oikea veneeseesi.

Varmista, että asennus on tehty siten kuin kuva **5**, sivulla 4 esittää.

- Aseta pyöreäreikäiset kuitualuslevyt **(4)** keinuripustinten varsiin **(2)**.
- Nosta keitin paikalleen.
- Aseta soikeareikäiset kuitualuslevyt **(5)** keinuripustinten sivuvarsiin **(2)**.
- Kiristä ruuvit **(6)**.
- Säädä ruuvien kireys haluttua kitkaa vastaavaksi.

### 6.3 Keittimen liittäminen kaasunsyöttöön



#### **VAROITUS! Loukkaantumisvaara!**

Käytä ainoastaan propaani- tai butaani-kaasupulloja, joissa on tarkastettu paineenalennusventtiili ja sopiva pääkappale.

Vertaa tyyppikilven painetietoja propaani- tai butaani-kaasupullon painetietoihin.

Huomaa seuraavat liittämistä koskevat ohjeet:

- Käytä ainoastaan teräsputkista kaasuletkeä  $\varnothing$  x 1mm (hitsattu, saumaton teräs tai ruostumaton teräs).  
Asenna tämä leikkuurengaskiinnityksellä.
- Kiinnitä putket ympäröivien huonekalujen sivu- tai takaseinään siten, ettei säätölenkkeihin kohdistu vääntövoimaa.
- Liitos tulee olla purettavissa ainoastaan työkaluilla. Huomioi DVGW-työohjeiden G607 ja G608 tekniset säädökset.
- Koko putkituksen tulee olla jännitteetön.
- Pidä kaasulaitteen ja nestekaasusyöttölaitteen välinen letkuliitos mahdollisimman lyhyenä, pituus ei saa olla yli 750 mm.
- Letkuliitokseen tulee päästä käsiksi koko sen pituudelta.
- Huomioi letkuliitoksessa erityisesti, että letku ei vaikuta kardaaniripustuksen toimintaan (**kaikissa** käyttöolosuhteissa: ei vetoa eikä taitoksia).
- Käytön aikana käyttötilassa on oltava vähintään 150 cm<sup>2</sup>:n halkaisijan kokoiset tuuletusaukot. Nämä aukot voivat olla suljettavia, ne tulee kuitenkin avata kun tulisijaa käytetään.

- Liitä keitin kaasunsyöttöön.
- Aseta keittimen päälle ohjekilpi seuraavalla tekstillä:

”VAROITUS!

Huolehdi keitettäessä lisätuuletuksesta, esim. avaamalla ikkunat grillaus-, keitto- ja paistamislaitteiden läheisyydessä.

Näitä laitteita ei saa käyttää huoneen lämmitykseen.”

- Huolehdi siitä, että letkujohdin
  - ei joudu puristuksiin tai taitteelle,
  - on riittävän kaukana polttimesta.
- Avaa kaasupullon venttiili.

**VAROITUS! Loukkaantumisvaara!**

Älä tarkasta tiiviyyttä koskaan avoliekillä tai sytytyslähteiden lähellä.

- Tarkasta kaikkien liitäntöjen tiiviys vuodonetsintäsuihkeella. Tiiviys on taattu, jos kuplia ei muodostu.

## 7 Keittimen käyttö

### 7.1 Keittimen sytytys

**VAROITUS! Loukkaantumisvaara!**

Keitintä ei saa jättää käytön aikana ilman valvontaa. Sytytystapahtuma tulee olla avoin ylhäältä eikä sitä saa peittää kattiloilla.

**OHJE**

Jos keitin asennetaan keinuripustimet ala-asennossa, keitinosa täytyy nostaa kokonaan ylös, jotta polttoainesäiliöt voidaan poistaa täyttämistä varten.

- Avaa kaasupullon venttiili.
- Avaa keittimen sulkuventtiili.
- Käännä haluamasi polttimen säädintä vastapäivään nolla-asennosta (0) suuremmalle asennolle (suuri liekki).
- Paina säädintä sisään ja pidä se tässä asennossa.
- Sytytä poltin tulitikulla tai sopivalla sytyttimellä. Vedä kätesi heti pois, kun poltin on syttynyt.  
Kun poltin on syttynyt, voit vapauttaa kääntönupin noin 10 sekunnin jälkeen.
- Aseta liekki siten, ettei se ulotu kattilan pinnan yli.
- Aseta säädin haluamaasi asentoon: Suuri (1,6 kW) tai pieni (noin 0,5 kW).

## 7.2 Keittimen sammuttaminen

- Aseta säädin nolla-asentoon.
- ✓ Poltin sammuu.
- Sulje keittimen sulkuventtiili.
- Jos et käytä keitintä pitkään aikaan, sulje kaasupullon venttiili.

## 7.3 Kaasupullon vaihtaminen



### **VAROITUS! Loukkaantumisvaara!**

Vaihda kaasupullo vain hyvän tuuletuksen vallitessa.  
Huolehdi siitä, että lähellä ei ole sytytyslähteitä.  
Vaihda kaasupullo vain, kun keitin on pois päältä.

- Kytke keitin pois kääntämällä säädintä myötöpäivään nolla-asentoon.
- Sulje kaasupullon venttiili kokonaan.
- Ruuvaa venttiili irti kaasupullosta.
- Tarkasta letkujohdinten kunto.  
Vaihda letkujohdin, jos materiaali on hapertunut tai se murenee.
- Ruuvaa paineenalennusventtiili tiukasti uuteen pulloon.

## 8 Keittimen huoltaminen

Laitteen moitteettoman toiminnan ja vikojen poistamisen vuoksi tulisi laite turvallisuusyrystä tarkastuttaa asiantuntijalla kerran vuodessa.

- Tarkasta laitteen vuosittaisessa tarkastuksessa erityisesti seuraavat toiminnot:
  - Kaasutiiviiden tarkastus.
  - Polttoturvallisuuden ja liekin vakauden tarkastus.
  - Raitisilmasyötön tarkastus.
  - Turvallisuus- ja säädinlaitteiden tarkastus (poltinhanat).
- Tarkasta, että käyttötöila vastaa paikallisia voimassa olevia määräyksiä.

- ▶ Tarkasta seuraavat rakenneosien puhtaus ja suorita puhdistus tarvittaessa:
  - polttimen kaasutuloaukot,
  - poltinpäät,
  - lämpöelementti.
- ▶ Tarkasta, että polttimen päiden ja lämpöelementin oikea etäisyys (1-3 mm) on säädetty.

## 9 Keittimen puhdistus



### **HUOMAUTUS!**

Älä käytä puhdistamiseen teräviä tai kovia välineitä, koska tämä voi johtaa laitteen vahingoittumiseen.  
Käytä tavallisia puhdistusaineita.

- ▶ Anna laitteen jäähtyä kunnolla ennen sen puhdistusta.
- ▶ Ota kattilaritilä keittimeltä.
- ▶ Puhdista keittimen pinnat. Poista erityisesti tarttuvat rasva- ja öljyjäänteet.
- ▶ Älä koskaan käytä keittimen puhdistukseen painepesuria.

## 10 Tuotevastuu

Laitetta koskee lakisääteinen takuu-aika. Jos tuote sattuu olemaan viallinen, käänny oman ammattikauppiasi tai maasi valmistajan toimipisteen puoleen (osoitteet käyttöohjeen takasivulla).

Korjaus- ja takuukäsittelyä varten lähetä mukana seuraavat asiakirjat:

- kopio ostolaskusta, jossa näkyy ostopäivä,
- valitusperuste tai vikakuvaus.


## 11 Hävittäminen

- Vie pakkausmateriaali mahdollisuuksien mukaan vastaavan kierrätysjätteen joukkoon.



Jos poistat tuotteen lopullisesti käytöstä, pyydä tietoa sen hävittämisestä koskevista määräyksistä lähimmästä kierrätyskeskuksesta tai ammattiliikkeestäsi.

## 12 Tekniset tiedot

	Dometic EK 1600	Dometic EK 3200
Tuote-nr:	9103300400	9103300401
Kaasunkulutus:	115 g/h	230 g/h
Kaasukategoria:	Kategoria I <sub>3</sub> , propaani/butaani	
Liitäntäpaine:	AT, DE EE, LT, LV, MT, PL: 30 mbar BE, CH, ES, FR, GB, GR, IE, IT, LU: 28 – 30/37 mbar CY, CZ, DK, FI, HU, IS, NL, NO, SE, SI, SK: 28 – 30 mbar	
Polttimien lukumäärä:	1	2
Poltinteho:	1600 W	3200 W
Keittoaika 1 l vettä:	noin 10 min (riippuu ympäristön olosuhteista ja käytettävästä kattilasta)	
Mitat:	kuva <b>3</b> , sivulla 3	kuva <b>4</b> , sivulla 3
Paino:	2,9 kg	4,2 kg
Tarkastus/sertifikaatti:		

Прочтите данную инструкцию перед вводом в эксплуатацию и сохраните ее. В случае передачи продукта передайте инструкцию следующему пользователю.

## Содержание

1	Пояснения к символам . . . . .	127
2	Общие указания по технике безопасности . . . . .	128
3	Комплект поставки . . . . .	131
4	Использование по назначению . . . . .	132
5	Техническое описание . . . . .	132
6	Установка плиты. . . . .	133
7	Пользование плитой . . . . .	136
8	Техническое обслуживание варочного прибора . . . . .	137
9	Очистка плиты . . . . .	138
10	Гарантия . . . . .	138
11	Утилизация . . . . .	139
12	Технические характеристики . . . . .	139

## 1 Пояснения к символам



### **ПРЕДУПРЕЖДЕНИЕ!**

**Указания по технике безопасности:** Несоблюдение может привести к смертельному исходу или тяжелым травмам.



### **ВНИМАНИЕ!**

Несоблюдение может привести к повреждениям и нарушить работу продукта.



### **УКАЗАНИЕ**

Дополнительная информация по управлению продуктом.

➤ **Действие:** Этот символ указывает на то, что Вы должны выполнить определенное действие. Требуемые действия описываются шаг за шагом.

✓ Этот символ описывает результат действия.

**Рис. 1 5, стр. 3:** Данное указание обращает Ваше внимание на рисунок, в данном примере на „позицию 5 на рисунке 1 на странице 3“.

## 2 Общие указания по технике безопасности

Изготовитель не несет никакой ответственности за ущерб в следующих случаях:

- Ошибки монтажа или подключения
- Повреждения продукта из-за механических воздействий и перенапряжений
- Изменения в продукте, выполненные без однозначного разрешения изготовителя
- Использование в целях, отличных от указанных в данной инструкции

### 2.1 Основы безопасного обращения



#### ПРЕДУПРЕЖДЕНИЕ!

- Используйте только сжиженный газ категории I<sub>3</sub> (пропан/бутан). Не применяйте иные **виды топлива**.
- Огнетушитель должен находиться в пределах досягаемости. Обеспечьте регулярную проверку состояния огнетушителя специалистом.
- Лица (в том числе и дети), которые в силу своих физических, осязательных или психических способностей, неопытности или отсутствия знаний не в состоянии безопасно пользоваться прибором, не должны использовать плиту без присмотра или инструктажа ответственного лица.





### **ВНИМАНИЕ!**

- Используйте плиту только по назначению.

## **2.2 Техника безопасности при обращении со сжиженным газом**



### **ПРЕДУПРЕЖДЕНИЕ!**

- Горючие материалы не должны находиться рядом с отопительными или кухонными приборами, а также иными источниками тепла и света.
- **Опасность удушья!**  
Перед первым включением прибора убедитесь в достаточной вентилируемости помещения. При эксплуатации плиты в помещении должны быть в наличии вентиляционные отверстия с живым сечением не менее 150 см<sup>2</sup>. Эти отверстия могут закрываться, но при работе плиты должны быть открыты (см. табличку с указанием над плитой).
- Сравните показание давления на плите и баллоне с пропаном или бутаном.
- Ни в коем случае не храните баллоны с сжиженным газом в непроветриваемых местах.
- Газовый баллон не должен находиться под воздействием прямых лучей солнца. Температура не должна превышать 50 °С.

- При наличии запаха газа:
  - Откройте все окна и покиньте помещение.
  - Не включайте электроприборы и не использует источники открытого огня, которые могут привести к воспламенению газа.
  - Закройте вентиль газового баллона и оставьте его в закрытом состоянии, пока неисправность не будет устранена.
  - Не пытайтесь определить утечку с помощью открытого пламени!
- Запрещено пользоваться плитой во время заправки горючего, в гаражах и на паромашах.

## 2.3 Меры безопасности при работе с прибором



### **ПРЕДУПРЕЖДЕНИЕ!**

- Используйте длинные спички или соответствующий запальник. Процесс розжига необходимо производить при визуальном контроле сверху, конфорка не должна быть заставлена посудой. Как только горелка зажглась, отведите руку назад.
- Использовать прибор надлежит в соответствующей одежде. Не надевайте свободно свисающую одежду, способную попасть в пламя.



### **ВНИМАНИЕ!**

- Дайте нагревательному прибору остыть до температуры окружающей среды, прежде чем касаться его голыми руками.
- Обеспечьте отсутствие вблизи прибора жиров, содержащих алкоголь веществ, пластмассы и легко воспламеняющихся предметов (напр., занавесок, полотенца, прочих кухонных принадлежностей).

- Используйте только кастрюли и сковороды с плоским основанием и диаметром, не превышающим размер установленной варочной решётки. Кастрюли и сковороды должны иметь размер, перекрывающий открытое пламя. Если пламя не закрыто, может воспламениться одежда. Кроме этого, правильный размер кастрюль и сковородок повышает экономичность.
- Во время приготовления пищи обратите внимание на то, чтобы кастрюли и сковороды стояли устойчиво. Для усиления устойчивости используйте прилагаемые в комплекте фиксаторы кастрюль.
- Никогда не допускайте, чтобы ручки кастрюль или сковородок возвышались над варочным прибором. Поверните ручки внутрь, но так, чтобы они не находились над другими горелками. Таким образом снижается опасность проливания, возгорания горючих веществ и сильных ожогов.
- Соблюдайте осторожность при нагревании жира и масла. Жир и масло могут воспламениться при высокой температуре.
- Используйте только сухие кухонные прихватки, чтобы избежать образование пара. Не используйте вместо кухонных прихваток полотенца и пр., поскольку они могут воспламениться.
- Никогда не оставляйте работающую плиту без присмотра. Перегретые кастрюли могут вызвать задымление и пожар.
- Установите регулятор (рис. **1** 1, стр. 2) в нулевое положение (0) перед снятием посуды или сковороды с огня.
- Не используйте прибор для обогрева помещения.

### 3 Комплект поставки

- Плита
- Фиксатор кастрюль
- Защитные экраны
- Карданный подвес
- Инструкция по установке и эксплуатации

## 4 Использование по назначению

Варочные приборы, работающие на сжиженном газе, серии EK 1600 и EK 3200 компании Dometic предназначены для установки в автомобилях и маломерных судах.

## 5 Техническое описание

### 5.1 Функциональные особенности

Плита изготовлена из листовой нержавеющей стали. В качестве топлива используется сжиженный газ категории I<sub>3</sub> (пропан/бутан).

### 5.2 Характеристики вариантов исполнения прибора

Плита поставляется в различных исполнениях.

- **EK 1600:** Плита с одной горелкой
- **EK 3200:** Плита с двумя горелками

Тип вашей плиты можно установить по названию модели, размещённому на фронтальной стороне варочного прибора.

### 5.3 Элементы управления

№ на рис. <b>1</b> , стр. 2	Описание
1	Регулятор, трехпозиционный (Нулевое положение, Больше, Меньше) Вращение против часовой стрелки открывает газовый кран. Вращение по часовой стрелке до упора закрывает подачу газа.
2	Фиксатор кастрюль

## 6 Установка плиты

Плиту можно вмонтировать в рабочую поверхность Вашей кухни.

### 6.1 Выбрать место монтажа.

При выборе места установки учтите следующие моменты:

- Для установки плиты выберите хорошо проветриваемое место.
- Обеспечьте отступ минимум (рис. **2**, стр. 2)
  - 150 мм от боковых стенок
  - 170 мм от задней стенки
  - 500 мм между горелкой и горизонтальной плоскостью над плитой
  - 10 мм между нижней частью плиты и опорной поверхностью
- В месте установки не должно быть сквозняков.  
При установке плиты в открытой рубке или другом открытом месте следует дополнительно установить защиту от ветра.
- Не пользуйтесь прибором во взрывоопасных **помещениях** .
- При использовании карданного подвесе необходимо убедиться в том, что варочный прибор может свободно двигаться.
- Обеспечьте достаточное место для колебательных движений карданных подвесов.

### 6.2 Установка плиты



#### **ВНИМАНИЕ! Опасность повреждения!**

Перед выполнением сверлений убедитесь, что отверстия, разрезы и пропилы не повредят кабели или другие части электрооборудования транспортного средства.

Порядок действий при монтаже варочного прибора, когда карданный подвес не используется:

- Закрепите варочный прибор четырьмя винтами.

Порядок установки карданного подвеса (рис. **5**, стр. 4):

- Закрепите боковые пластины карданного подвеса (**1**) на нижней части корпуса прибора (**3**) прилагаемыми гайками и болтами.

**УКАЗАНИЕ**

Подвесные скобы (2) поворачиваются, поэтому плита (3) может быть наклонена вперед или назад.

- ▶ Перед монтажом подвесных скоб (2) установите их для пробы на боковые пластины подвеса (1). Таким образом вы можете определить, какой вариант для вашего судна подходит лучше всего. Убедитесь, что установка выполняется строго по рис. 5, стр. 4.
- ▶ Поместите пластиковые шайбы (4) с круглым отверстием на подвесные скобы (2).
- ▶ Поднимите плиту в надлежащее положение.
- ▶ Поместите пластиковые шайбы (5) с длинными отверстиями на боковые плечи подвеса (2).
- ▶ Затяните болты (6).
- ▶ Затягивайте болты только с таким усилием, которое необходимо для нормального функционирования плиты.

### 6.3 Подключение плиты к источнику газа

**ПРЕДУПРЕЖДЕНИЕ! Травмоопасно!**

Используйте только баллоны с бутаном или пропаном с проверенным регулятором давления и подходящим соединением. Сравните показание давления на плите и баллоне с пропаном или бутаном.

При подключении учтите следующие моменты:

- Используйте газопровод из стальной трубки  $\varnothing 8 \times 1$  мм (бесшовная сварная сталь или нержавеющая сталь), который установите с помощью штуцерного соединения с врезным кольцом.
- Закрепите трубки на задней или боковой стенке ближайшего мебельного фрагмента так, чтобы передача усилия не приходилась на исполнительные элементы.
- Соединение должно быть настолько прочным, чтобы расслабить его было возможно только при помощи инструмента. Следуйте при этом техническому регламенту Германского союза газовой и водной отраслей (DVGW) G607 и G608.
- На всем трубопроводе не должно быть напряжений.

- Соединение между газовым прибором и источником сжиженного газа должно быть как можно короче и не превышать длину в 750 мм.
- Шланговое соединение должно быть доступно для инспекций по всей длине.
- На шланговом соединении обратите особое внимание на то, чтобы шланг не мешал работе карданного подвеса (при **любых** условиях эксплуатации: растяжений или перегибов не допускается).
- При эксплуатации плиты в помещении должны быть в наличии вентиляционные отверстия с живым сечением не менее 150 см<sup>2</sup>. Эти отверстия могут закрываться, но при работе плиты должны быть открыты.

➤ Подключите варочный прибор к источнику газа.

➤ Над плитой разместите табличку со следующей надписью:

**«ВНИМАНИЕ!**

При приготовлении пищи необходимо обеспечить дополнительную вентиляцию, например, открыв ближайшее к варочному прибору, грилю, духовке окно. Эти приборы запрещается использовать для обогрева помещения.»

➤ Следите за тем, чтобы шланг

- не был зацементирован или перегнут,
- находился на безопасном расстоянии от горелки.

➤ Откройте вентиль газового баллона.



**ПРЕДУПРЕЖДЕНИЕ! Травмоопасно!**

Не проверяйте герметичность при открытом пламени или вблизи источников огня.

- Проверьте герметичность всех соединений с помощью спрея для поиска утечек.  
Отсутствие пузырьков свидетельствует о герметичности.

## 7 Пользование плитой

### 7.1 Розжиг плиты

**ПРЕДУПРЕЖДЕНИЕ! Травмоопасно!**

Не оставляйте работающую плиту без присмотра. Процесс розжига необходимо производить при визуальном контроле сверху, конфорка не должна быть заставлена посудой.

**УКАЗАНИЕ**

Если варочный прибор с карданным подвесом расположен в самом низком месте, то чтобы вынуть топливные резервуары для их пополнения, варочную панель следует откинуть в вертикальное положение.

- Откройте вентиль газового баллона.
- Откройте запорный кран у плиты.
- Поверните регулятор нужной горелки против часовой стрелки из нулевого положения (0) в положение "Сильный огонь".
- Прижмите регулятор к прибору и удерживайте его в этой позиции.
- Сразу же после этого зажгите горелку спичкой или другим подходящим устройством для розжига. Как только горелка зажглась, отведите руку назад.

Если горелка зажглась, поворотный выключатель можно отпустить через 10 секунд.

- Отрегулируйте пламя так, чтобы оно не выходило за площадь кастрюли.
- Установите регулятор в нужное положение: Больше (1,6 кВт) или Меньше (ок. 0,5 кВт).

### 7.2 Отключение варочного прибора

- Переведите регулятор в нулевое положение.
- ✓ Горелка гаснет.
- Откройте запорный кран у плиты.



- ▶ Если вы планируете долгое время не пользоваться плитой, закройте вентиль газового баллона.

### 7.3 Замена газового баллона



#### **ПРЕДУПРЕЖДЕНИЕ! Травмоопасно!**

Замену газового баллона выполняйте только при хорошей вентиляции.

Проследите, чтобы рядом не было источников воспламенения.

Замена газового баллона выполняется только при выключенном приборе.

- ▶ Выключите плиту, повернув регулятор по часовой стрелке в нулевое положение.
- ▶ Полностью закройте запорный вентиль газового баллона.
- ▶ Снимите вентиль, открутив его с газового баллона.
- ▶ Проверьте состояние газового шланга  
Поврежденный или пористый шланг подлежит замене.
- ▶ Привинтите редукционный клапан на новый баллон.

## 8 Техническое обслуживание варочного прибора

По соображениям безопасности прибор должен ежегодно проверяться компетентными специалистами на предмет его безупречной работоспособности, а возможные и неполадки - устраняться.

- ▶ При ежегодной проверке работоспособности прибора особое внимание уделите:
  - проверке герметичности;
  - проверке пожарной безопасности и устойчивости горения пламени;
  - проверке подачи свежего воздуха;
  - проверке предохранительных и регулирующих приспособлений (кранов горелки).
- ▶ Проверьте, соответствует ли помещение установки местным действующим предписаниям.

- Проверьте следующие конструктивные детали на наличие загрязнений и при необходимости проведите их очистку:
  - отверстия выхода газа на горелке,
  - головки горелки,
  - термозащитный элемент.
- Проверьте правильность зазора между головкой горелки и термозащитным элементом (1 – 3 мм).

## 9 Очистка плиты



### **ВНИМАНИЕ!**

Не используйте острых или твёрдых предметов для чистки, так как это может привести к повреждению прибора. Используйте обычные бытовые чистящие средства.

- Перед очисткой дайте плите остыть.
- Снимите с плиты решетку для установки кастрюль.
- Очистите поверхность варочного прибора. Особенно удаляйте прилипшие остатки жира и масла.
- Не используйте для чистки плиты пароструйное очистительное устройство.

## 10 Гарантия

Действителен установленный законом срок гарантии. Если продукт неисправен, обратитесь в торговую организацию или в представительство изготовителя в Вашей стране (адреса см. на оборотной стороне инструкции).

В целях проведения ремонта или гарантийного обслуживания Вы должны также послать следующие документы:

- копию счета с датой покупки,
- причину рекламации или описание неисправности.


## 11 Утилизация

- По возможности, выкидывайте упаковочный материал в мусор, подлежащий вторичной переработке.



Если Вы окончательно выводите продукт из эксплуатации, то получите информацию в ближайшем центре по вторичной переработке или в торговой сети о соответствующих предписаниях по утилизации.

## 12 Технические характеристики

	Dometic EK 1600	Dometic EK 3200
Арт. №:	9103300400	9103300401
Расход газа:	115 г/ч	230 г/ч
Категория газа:	Категория I <sub>3</sub> , пропан/бутан	
Давление подводимого газа:	AT, DE, EE, LT, LV, MT, PL: 30 мбар BE, CH, ES, FR, GB, GR, IE, IT, LU: 28 – 30/37 мбар CY, CZ, DK, FI, HU, IS, NL, NO, SE, SI, SK: 28 – 30 мбар	
Количество горелок:	1	2
Мощность горелки:	1600 Вт	3200 Вт
Время закипания для 1 л воды:	ок. 10 мин. (в зависимости от условий окружающей среды и типа используемой посуды)	
Габариты:	рис. <b>3</b> , стр. 3	рис. <b>4</b> , стр. 3
Вес:	2,9 кг	4,2 кг
Испытания /сертификация		

Przed uruchomieniem urządzenia należy uważnie przeczytać niniejszą instrukcję. Instrukcję należy zachować. W razie przekazywania urządzenia należy ją udostępnić kolejnemu nabywcy.

## Spis treści

1	Objaśnienie symboli . . . . .	140
2	Ogólne zasady bezpieczeństwa . . . . .	141
3	W zestawie . . . . .	143
4	Użytkowanie zgodne z przeznaczeniem . . . . .	144
5	Opis techniczny . . . . .	144
6	Montaż kuchenki . . . . .	145
7	Używanie kuchenki . . . . .	148
8	Konserwacja kuchenki . . . . .	150
9	Czyszczenie kuchenki . . . . .	150
10	Gwarancja . . . . .	151
11	Utylizacja . . . . .	151
12	Dane techniczne . . . . .	152

## 1 objaśnienie symboli



### **OSTRZEŻENIE!**

**Wskazówka dot. bezpieczeństwa:** Nieprzestrzeganie może prowadzić do śmierci lub ciężkich obrażeń ciała.



### **UWAGA!**

Nieprzestrzeganie może prowadzić do powstania szkód materialnych i zakłóceń w działaniu produktu.



### **WSKAZÓWKA**

Informacje uzupełniające dot. obsługi produktu.

► **Obsługa:** Ten symbol wskazuje, że użytkownik musi podjąć jakieś działanie. Wymagane działania zostały opisane krok po kroku.

✓ Ten symbol opisuje wynik działania.

**Rys. 1 5, strona 3:** Ten odnośnik wskazuje element na rysunku, w tym przypadku „Pozycję 5 na rysunku 1 na stronie 3”.

## 2 Ogólne zasady bezpieczeństwa

Producent nie odpowiada za szkody spowodowane:

- błędami powstałymi w trakcie montażu lub podłączenia
- uszkodzeniem produktu w sposób mechaniczny lub spowodowany przeciążeniami elektrycznymi
- zmianami dokonanyymi w produkcie bez wyraźnej zgody producenta
- użytkowaniem w celach innych niż opisane w niniejszej instrukcji

### 2.1 Podstawowe bezpieczeństwo



#### **OSTRZEŻENIE!**

- Używać wyłącznie płynnego gazu kategorii I<sub>3</sub> (propan/butan).  
**Nie używać innych paliw.**
- Umieścić w zasięgu odpowiednią gaśnicę.  
Zadbać o regularne sprawdzanie gaśnicy przez specjalistę.
- Osoby (w tym dzieci), które ze względu na zdolności fizyczne, sensoryczne lub umysłowe albo ze względu na brak doświadczenia lub niewiedzę nie są w stanie bezpiecznie używać produktu, nie mogą go używać bez nadzoru lub instruktora odpowiedzialnej osoby.



#### **UWAGA!**

- Używać kuchenki wyłącznie zgodnie z jej przeznaczeniem.

### 2.2 Bezpieczeństwo podczas obchodzenia się z gazem ciekłym



#### **OSTRZEŻENIE!**

- Łatwopalne materiały trzymać z dala od urządzeń grzejnych i kuchenek oraz innych źródeł światła i ciepła.

- **Niebezpieczeństwo uduszenia!**

Przed włączeniem urządzenia upewnić się, że w pomieszczeniu występuje wystarczająca wentylacja. Podczas eksploatacji w miejscu ustawienia muszą być dostępne otwory wentylacyjne o wolnym przekroju wynoszącym co najmniej 150 cm<sup>2</sup>. Te otwory mogą być zamykane, ale muszą być otwarte w czasie pracy paleniska (patrz tabliczka informacyjna znajdująca się nad kuchenką).
- Porównać wartość ciśnienia na tabliczce znamionowej z wartością na butli z propanem lub butanem.
- Nigdy nie przechowywać butli z płynnym gazem w miejscach pozbawionych wentylacji.
- Chronić butle z płynnym gazem przed działaniem bezpośrednich promieni słonecznych. Temperatura nie może przekraczać 50 °C.
- W przypadku wykrycia zapachu gazu:
  - Otworzyć wszystkie okna i opuścić pomieszczenie.
  - Nie uruchamiać urządzeń elektrycznych i unikać używania otwartych płomieni, które mogą spowodować zapłon gazu.
  - Zamknąć zawór butli z gazem i pozostawić go w zamkniętym stanie do czasu usunięcia błędu.
  - Nigdy nie próbować odnajdywać wycieku, używając otwartych płomieni.
- Nie wolno używać kuchenki podczas tankowania oraz w garażach i na promach.

## 2.3 Bezpieczeństwo podczas eksploatacji urządzenia



### OSTRZEŻENIE!

- Używać długich zapalek lub odpowiedniej zapalarki. Cały proces zapłonu musi być widoczny od góry i nie może być zaryty przez ustawione garnki.  
Po zapaleniu palnika szybko cofnąć rękę.
- Podczas używania kuchenki należy nosić odpowiednią odzież.  
Nie nosić luźno zwisających ubrań, które mogą się zapalić.



### UWAGA!

- Przed dotknięciem kuchenki gołymi rękami zaczekać, aż ostygnie ona do temperatury otoczenia.

- Obszar wokół kuchenki utrzymywać w stanie wolnym od tłuszczu, substancji alkoholowych, materiałów plastikowych i łatwopalnych (np. zasłon, ręczników, materiałów kuchennych).
- Używać wyłącznie garnków i patelni z równym dnem o średnicy nie większej niż ruszt na kuchenke. Garnki i patelnie muszą być na tyle duże, aby zakrywały płomień. Jeżeli płomień nie są zakryte, może dojść do zapalenia elementów odzieży. Ponadto garnki i patelnie o odpowiedniej wielkości zwiększają ekonomiczność.
- Podczas gotowania uważać, aby garnki i patelnie były bezpiecznie ustawione. W celu zapewnienia stabilności używać dołączonych uchwytów do garnków.
- Nie pozwolić, aby uchwyty garnków lub patelni wystawały nad kuchenką. Obrócić uchwyty do wewnątrz — tak, aby nie znajdowały się nad innymi palnikami. Zmniejsza to ryzyko rozlania, zapalenia palnych materiałów i odniesienia poważnych obrażeń.
- Zachować ostrożność podczas podgrzewania tłuszczu lub oleju. Tłuszcz i olej mogą ulec zapłonowi przy zbyt wysokiej temperaturze.
- Używać wyłącznie suchych podkładek pod garnki, aby uniknąć powstawania pary. Zamiast podkładek nie należy używać ścierek lub podobnych materiałów, ponieważ mogą się one zapalić.
- Nigdy nie pozostawiać włączonej kuchenki bez kontroli. Garnki podgrzewane przez zbyt długi czas mogą powodować dym i pożary.
- Przed zdjęciem garnka lub patelni ustawić regulator (rys. **1** 1, strona 2) w pozycji zerowej (0).
- Nie używać kuchenki do ogrzewania pomieszczenia.

### 3 W zestawie

- Kuchenka
- Uchwyt garnka
- Osłony ciepłe
- Zawieszenie krzyżowe
- Instrukcja montażu i obsługi

## 4 Użytkowanie zgodne z przeznaczeniem

Kuchenki na gaz płynny z serii EK 1600 i EK 3200 firmy Dometic są przeznaczone do montażu w pojazdach spalinowych i łodziach.

## 5 Opis techniczny

### 5.1 Funkcja

Kuchenka jest wykonana ze stali szlachetnej. Jako paliwa używać wyłącznie płynnego gazu kategorii I<sub>3</sub> (propan/butan).

### 5.2 Specyfikacje wariantów urządzenia

Kuchenka jest dostępna w różnych wersjach.

- **EK 1600:** kuchenka z jednym palnikiem
- **EK 3200:** kuchenka z dwoma palnikami

Typ posiadanego urządzenia można określić na podstawie oznaczenia modelu, znajdującego się z przodu na kuchence.



## 5.3 Elementy obsługowe

Nr na rys. <b>1</b> , strona 2	Opis
1	<p>Regulator, trójpozycyjny (pozycja zerowa, duże ustawienie, małe ustawienie)</p> <p>Obrót w kierunku przeciwnym do ruchu wskazówek zegara powoduje otwarcie zaworu gazowego.</p> <p>Obrót do oporu w kierunku ruchu wskazówek zegara powoduje zamknięcie zaworu gazowego.</p>
2	Uchwyt garnka

## 6 Montaż kuchenki

Kuchenkę można zamontować w blacie roboczym kuchni.

### 6.1 Wybór miejsca montażu

Przy wybieraniu miejsca montażu należy uwzględnić następujące wskazówki:

- Wybrać dla urządzenia miejsce o odpowiedniej wentylacji.
- Zapewnić minimalny odstęp (rys. **2**, strona 2), wynoszący
  - 150 mm od ścian bocznych,
  - 170 mm od ściany tylnej,
  - 500 mm między palnikiem a poziomą powierzchnią nad kuchenką,
  - 10 mm między spodem kuchenki a powierzchnią ustawienia.
- Uważać, aby w miejscu montażu nie powstawał przeciąg. W przypadku wbudowania kuchenki w otwartym kokpicie lub w innych otwartych miejscach, należy dodatkowo zamontować osłonę przed wiatrem.
- **Nie** użytkować urządzenia w pomieszczeniach zagrożonych wybuchem.
- W przypadku zastosowania elementów zawieszenia krzyżowego należy zagwarantować, żeby kuchenka się swobodnie kołysała.
- Zostawić wystarczającą ilość miejsca na wahlwe ruchy zawieszenia krzyżowego.

## 6.2 Montaż kuchenki



### **UWAGA! Ryzyko uszkodzenia!**

Przed wykonaniem wszelkich otworów upewnić się, że wiercenie, cięcie i piłowanie nie powodują ryzyka uszkodzenia kabli elektrycznych lub innych części pojazdu.

Montaż kuchenki w przypadku użycia zawieszenia krzyżowego:

- Przymocować kuchenkę za pomocą czterech śrub.

Montaż zawieszenia krzyżowego (rys. **5**, strona 4):

- Przymocować płyty boczne zawieszenia krzyżowego (**1**) na dolnej części obudowy kuchenki (**3**) za pomocą dołączonych nakrętek i śrub.



### **WSKAZÓWKA**

Pałaki zawieszenia (**2**) są obracane, dzięki czemu kuchenkę (**3**) można obniżyć z przodu lub z tyłu.

- Przed zamontowaniem pałaków zawieszenia (**2**) należy je na próbę umieścić na płytach bocznych zawieszenia (**1**). W ten sposób można stwierdzić, który wariant jest najlepiej dopasowany do posiadanej łodzi.  
Upewnić się, że montaż odbywa się zgodnie z rys. **5**, strona 4.
- Umieścić podkładki z tworzywa sztucznego (**4**) z okrągłym otworem na pałakach zawieszenia (**2**).
- Unieść kuchenkę do odpowiedniej pozycji.
- Umieścić podkładki z tworzywa sztucznego (**5**) z podłużnymi otworami na ramionach bocznych zawieszenia (**2**).
- Dokręcić śruby (**6**).
- Dokręcić śruby tylko na tyle, ile jest to wymagane przez żadaną funkcję.

### 6.3 Podłączenie kuchenki do źródła gazu



#### **OSTRZEŻENIE! Niebezpieczeństwo zranienia!**

Używać wyłącznie butli propanu lub butanu ze sprawdzonym reduktorem ciśnienia i pasującą złączką. Porównać wartość ciśnienia na tabliczce znamionowej z wartością na butli z propanem lub butanem.

Podczas podłączania należy uwzględnić następujące wskazówki:

- Użyć przewodu gazowego z rury stalowej  $\varnothing 8 \times 1$  mm (spawana, stal bezszwowa lub stal nierdzewna), który należy szczelnie przymocować przy użyciu połączenia skręcane z pierścieniem tnącym.
- Przymocować rury do ściany bocznej lub tylnej otaczających elementów meblowych w taki sposób, aby nie następowało przenoszenie siły na elementy nastawcze.
- Połączenie może być rozłączane jedynie za pomocą narzędzia. Należy przy tym przestrzegać zasad technicznych zawartych na arkuszach danych roboczych DVGW G607 i G608.
- Całe orurowanie musi być wolne od napięć.
- Długość połączenia węzłem między urządzeniem gazowym a instalacją zasilającą gazem powinna być jak najkrótsza nie może przekraczać 750 mm.
- Na całej długości połączenie węzłem musi być dostępne w celach kontroli.
- Przy podłączaniu węża zwrócić szczególną uwagę na to, aby wąż nie wpływał na działanie zawieszenia krzyżowego (we **wszystkich** warunkach pracy: bez naciągania lub zagięć).
- Podczas eksploatacji w miejscu ustawienia muszą być dostępne otwory wentylacyjne o wolnym przekroju wynoszącym co najmniej  $150 \text{ cm}^2$ . Te otwory mogą być zamykane, ale muszą być otwarte podczas pracy paleniska.

- Połączyć kuchenkę ze źródłem gazu.
- Umieścić nad kuchenką tabliczkę informacyjną, zawierającą następujący tekst:

„OSTRZEŻENIE!

Podczas gotowania należy zadbać o dodatkową wentylację, np. otwierając okna w pobliżu urządzenia do grillowania, gotowania i pieczenia.

Nie wolno używać tych urządzeń do ogrzewania pomieszczenia.”

- Uważać, aby przewód giętki nie był
  - zakleszczony ani zagięty oraz aby był
  - ułożony w bezpiecznej odległości od palnika.
- Otworzyć zawór butli z gazem.

**OSTRZEŻENIE! Niebezpieczeństwo zranienia!**

Nigdy nie sprawdzać szczelności przy otwartych płomieniach lub w pobliżu źródeł zapłonu.

- Sprawdzić szczelność wszystkich połączeń sprayem do wyszukiwania nieszczelności.  
Szczelność jest zapewniona, gdy nie powstają pęcherzyki powietrza.

## 7 Używanie kuchenki

### 7.1 Zapalanie kuchenki

**OSTRZEŻENIE! Niebezpieczeństwo zranienia!**

Nie pozostawiać pracującej kuchenki bez nadzoru.

Cały proces zapłonu musi być widoczny od góry i nie może być zaryty przez ustawione garnki.

**WSKAZÓWKA**

Gdy kuchenka z zawieszeniem krzyżowym jest umieszczona w najniższej pozycji, płyta musi być ustawiona w całkowicie wyprostowanej pozycji, aby wyjąć zbiornik paliwa w celu napełnienia.

- Otworzyć zawór butli z gazem.
- Otworzyć zawór odcinający do kuchenki.
- Obrócić regulator żądanego palnika przeciwnie do ruchu wskazówek zegara z położenia zerowego (0) do położenia dużego płomienia.
- Wcisnąć regulator i przytrzymać go w tej pozycji.
- Zapalić palnik zapałką lub odpowiednią zapalarką. Po zapaleniu palnika szybko cofnąć rękę.

Po zapaleniu palnika pokrętko można zwolnić po upływie ok. 10 sekund.

- Ustawić płomień tak, aby nie rozciągał się poza powierzchnię garnka.

- Ustawić regulator w żądanej pozycji: duży płomień (1,6 kW) lub mały płomień (ok. 0,5 kW).

## 7.2 Wyłączanie kuchenki

- Ustawić regulator w pozycji zerowej.
- ✓ Palnik gaśnie.
- Zamknąć zawór odcinający do kuchenki.
- W przypadku wyłączenia kuchenki na dłuższy czas zamknąć zawór butli z gazem.

## 7.3 Wymiana butli z gazem



### **OSTRZEŻENIE! Niebezpieczeństwo zranienia!**

Butlę z gazem wymieniać wyłącznie przy odpowiedniej wentylacji. Uważać, aby w pobliżu nie znajdowało się źródło zapłonu. Butlę z gazem wymieniać jedynie przy wyłączonej kuchence.

- Wyłączyć kuchenkę, obracając regulator w kierunku ruchu wskazówek zegara do pozycji zerowej.
- Całkowicie zamknąć zawór butli z gazem.
- Odkręcić zawór z butli z gazem.
- Sprawdzić stan przewodu elastycznego. Wymienić przewód elastyczny, jeżeli materiał jest kruchy i porowaty.
- Przykręcić reduktor ciśnienia do nowej butli.

## 8 Konserwacja kuchenki

Ze względów bezpieczeństwa konieczne jest, aby kuchenka była raz w roku sprawdzana przez rzeczoznawcę pod kątem prawidłowego działania, a ewentualne usterki były niezwłocznie usuwane.

- Przy każdej corocznej kontroli urządzenia należy sprawdzić w szczególności następujące funkcje:
  - Kontrola gazo szczelności.
  - Kontrola bezpieczeństwa i stabilności płomienia.
  - Kontrola dopływu świeżego powietrza.
  - Kontrola urządzeń zabezpieczających i regulacyjnych (zawory palnika).
- Sprawdzić, czy miejsce ustawienia jest zgodne z lokalnie obowiązującymi przepisami.
- Sprawdzić następujące elementy pod kątem zanieczyszczenia i w razie potrzeby je wyczyścić:
  - otwory wylotowe gazu palników,
  - głowice palników,
  - termoelement.
- Sprawdzić, czy jest ustawiony prawidłowy odstęp między głowicą palnika a termoelementem (ok. 1–3 mm).

## 9 Czyszczenie kuchenki



### **UWAGA!**

Do czyszczenia nie wolno używać ostrych lub twardych środków, ponieważ mogą one doprowadzić do uszkodzenia urządzenia. Używać standardowych środków do czyszczenia.

- Przed wyczyszczeniem urządzenia poczekać, aż ostygnie.
- Zdjąć ruszt z kuchenki.
- Wyczyścić powierzchnię kuchenki. Usunąć w szczególności przywierającą tłuszcz i resztki oleju.
- W żadnym wypadku nie używać myjki parowej do czyszczenia kuchenki.

## 10 Gwarancja

Warunki gwarancji zostały opisane w Karcie Gwarancyjnej dołączonej do produktu.

W celu naprawy lub rozpatrzenia gwarancji konieczne jest przesłanie:

- kopii rachunku z datą zakupu,
- informacji o przyczynie reklamacji lub opisu wady.

## 11 Utylizacja


- Opakowanie należy wyrzucić do odpowiedniego pojemnika na śmieci do recyklingu.



Jeżeli produkt nie będzie dłużej eksploatowany, koniecznie dowiedz się w najbliższym zakładzie recyklingu lub w specjalistycznym sklepie, jakie są aktualnie obowiązujące przepisy dotyczące utylizacji.

SVIB

## 12 Dane techniczne

	Dometic EK 1600	Dometic EK 3200
Nr art.:	9103300400	9103300401
Zużycie gazu:	115 g/godz	230 g/godz
Kategoria gazu:	Kategoria I <sub>3</sub> , propan/butan	
Ciśnienie przyłączeniowe:	AT, DE EE, LT, LV, MT, PL: 30 mbar BE, CH, ES, FR, GB, GR, IE, IT, LU: 28 – 30/37 mbar CY, CZ, DK, FI, HU, IS, NL, NO, SE, SI, SK: 28–30 mbar	
Ilość palników:	1	2
Moc palnika:	1600 W	3200 W
Czas gotowania 1 l wody:	ok. 10 min (w zależności od warunków otoczenia i używanego garnka)	
Wymiary:	rys. <b>3</b> , strona 3	rys. <b>4</b> , strona 3
Waga:	2,9 kg	4,2 kg
Kontrola/certyfikat:		



Před uvedením do provozu si pečlivě přečtěte tento návod k obsluze a uschovejte jej. V případě dalšího prodeje výrobku předejte návod novému uživateli.

## Obsah

1	Vysvětlení symbolů . . . . .	153
2	Všeobecné bezpečnostní pokyny . . . . .	154
3	Rozsah dodávky . . . . .	156
4	Použití v souladu s určením . . . . .	156
5	Technický popis . . . . .	157
6	Zabudování vaříče . . . . .	158
7	Použití vaříče . . . . .	161
8	Údržba vaříče . . . . .	162
9	Čištění vaříče . . . . .	163
10	Záruka . . . . .	163
11	Likvidace . . . . .	164
12	Technické údaje . . . . .	164

## 1 Vysvětlení symbolů



### **VÝSTRAHA!**

**Bezpečnostní pokyny:** Následkem nedodržení pokynů mohou být smrtelná nebo vážná zranění.



### **POZOR!**

Nedodržení pokynů může mít za následek hmotné škody a narušení funkce výrobku.



### **POZNÁMKA**

Doplňující informace týkající se obsluhy výrobku.

- ▶ **Činnost:** Tento symbol vás vyzývá k tomu, abyste něco učinili. Potřebné činnosti jsou popisovány v příslušném pořadí.
- ✓ Tento symbol popisuje výsledek určité činnosti.

**Obr. 1 5, strana 3:** Tento údaj odkazuje na prvek, zobrazený na obrázku. Na tomto příkladu se jedná o „pozici 5 na obrázku 1 na straně 3“.

## 2 Všeobecné bezpečnostní pokyny

V následujících případech nepřebírá výrobce žádné záruky za škody:

- Chybná montáž nebo chybné připojení
- Poškození výrobku působením mechanických vlivů a přepětí
- Změna výrobku bez výslovného souhlasu výrobce
- Použití k jiným účelům, než jsou popsány v tomto návodu

### 2.1 Základní bezpečnost



#### **VÝSTRAHA!**

- Používejte výlučně kapalným plynem kategorie L<sub>3</sub> (propan/butan).  
Nepoužívejte žádná jiná paliva.
- Umístěte v dosahu vhodný hasicí přístroj.  
Zajistěte, aby hasicí přístroj kontroloval v pravidelných intervalech odborník.
- Osoby (včetně dětí), které na základě svých fyzických, smyslových a duševních schopností nebo nezkušenosti či neznalosti nejsou schopny produkt bezpečně používat, by tento produkt neměly používat bez dohledu nebo instrukcí odpovědné osoby.



#### **POZOR!**

- Používejte vařič pouze k určenému účelu.

### 2.2 Bezpečnost při zacházení s kapalným plynem



#### **VÝSTRAHA!**

- Topná a varná zařízení udržujte z dosahu hořlavých materiálů a jiných zdrojů světla a tepla.

**● Nebezpečí udušení!**

Postarejte se před zapnutím zařízení o to, aby byl prostor dobře vyvětrán. Během provozu musejí být k dispozici v instalovaném prostoru větrací otvory s volným průřezem minimálně 150 cm<sup>2</sup>. Tyto otvory mohou být uzavíratelné, musejí se však otevřít při provozu hořáku (viz informační štítek, umístěný nad vaříčem).

- Srovnajte údaj tlaku na typovém štítku s údajem tlaku na propanové a butanové láhvi
- Neuchovávejte láhve s kapalným plynem nikdy na nevětraných místech.
- Chraňte láhve s kapalným plynem před přímým slunečním svitem. Teplota nesmí překročit 50 °C.
- Pokud ucítíte zápach plynu:
  - Otevřete všechna okna a opusťte místnost.
  - Nezapínejte žádné elektrické zařízení a zabraňte používání otevřeného ohně, který by mohl plyn zapálit.
  - Uzavřete ventil plynové láhve a nechte jej uzavřený tak dlouho, dokud se neodstraní závada.
  - Nikdy se nepokoušejte nalézt únik pomocí otevřeného plamene.
- Vaříč se nesmí používat při tankování, v garážích a na trajektech.

## 2.3 Bezpečnost při provozu zařízení

**VÝSTRAHA!**

- Používejte dlouhé zápalky nebo vhodné zapalovače. Celý postup zapalování musí být viditelný shora a nesmí být zakrytý postavenými hrnci.  
Odtáhněte ruku rychle zpět, jakmile jste zapálili hořák.
- Při používání vaříče noste vhodné oblečení.  
Nenoste volné visící části oděvu, které by mohly být zachyceny ohněm.

**POZOR!**

- Před dotykem vaříče holýma rukama nechte vaříč ochladit na okolní teplotu.
- Prostor kolem vaříče udržujte čistý bez přítomnosti tuku, alkoholických substancí, plastových materiálů a hořlavých látek (např. záclony a závěsy, utěrky, kuchyňské materiály).

- Používejte pouze hrnce a pánve s rovným dnem a průměrem, který není větší než rošt hrnce nacházející se na vařiči. Hrnce a pánve by měly být tak velké, aby zakryly plameny. Pokud plameny nejsou zakryty, mohou se vznítit části oděvu. Kromě toho zlepšují hrnce a pánve správné velikosti hospodárnost.
- Dávejte při vaření pozor na to, aby hrnce a pánve bezpečně stály. Používejte pro bezpečnou polohu dodané držáky hrnců.
- Nedovolte nikdy, aby úchyty hrnců nebo pánví vyčnívaly přes vařič. Otočte úchyty směrem dovnitř, avšak tak, aby se nenacházely nad jinými hořáky. Tím se sníží nebezpečí rozlití, vznícení hořlavých látek a vážného zranění.
- Při rozpalování tuku nebo oleje postupujte velmi opatrně. Tuk a olej se mohou při vysokém žáru vznítit.
- Použijte pouze suché chňapky, abyste zabránili tvorbě páry. Nepoužívejte namísto chňapek ručníky aj. , protože by se mohly vznítit.
- Nikdy neprovozujte vařič bez dozoru. Kypící hrnce mohou způsobit vznik kouře a požárů.
- Před sundáním hrnce resp. pánve nastavte regulátor (obr. 1, strana 2) do nulové polohy (0).
- Nepoužívejte vařič k vytápění místnosti.

### 3 Rozsah dodávky

- Vařič
- Držák hrnců
- Tepelné štíty
- Kardanový závěs
- Návod k montáži a obsluze

### 4 Použití v souladu s určením

Vařiče na kapalný plyn modelových řad EK 1600 und EK 3200 firmy Dometic jsou určeny pro montáž do vozidel a lodí.

## 5 Technický popis

### 5.1 Funkce

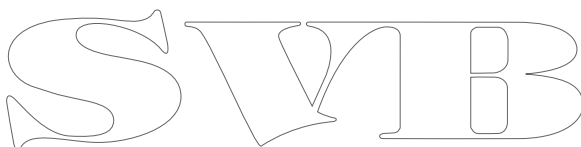
Vaříč je vyroben z ušlechtilé oceli. Jako palivo se používá kapalný plyn kategorie I<sub>3</sub> (propan/butan).

### 5.2 Specifikace variant přístroje

Vaříč je k dostání v různých provedeních.

- **EK 1600:** Vaříč s jedním hořákem
- **EK 3200:** Vaříč s dvěma hořáky

Typ Vašeho přístroje můžete zjistit podle označení modelu, které se nachází vpředu na vaříči.



SVIB

## 5.3 Ovládací prvky

Č. na obr. <b>1</b> , strana 2	Popis
1	Regulační knoflík, nastavitelný ve třech polohách (nulová poloha, velký plamen, malý plamen) Otáčení proti směru hodinových ručiček otevírá plynový kohout. Otáčení ve směru hodinových ručiček k dorazu uzavře plynový kohout.
2	Držák hrnců

## 6 Zabudování vaříče

Vaříč můžete zabudovat do pracovní desky Vaší kuchyně.

### 6.1 Výběr montážního místa

Při výběru montážního místa dodržujte tyto pokyny:

- Vyberte pro zařízení dobře větrané místo.
- Zajistěte minimální vzdálenost (obr. **2**, strana 2)
  - 150 mm od bočních stěn
  - 170 mm od zadní stěny
  - 500 mm mezi hořákem a horizontální plochou nad vaříčem
  - 10 mm mezi spodní stranou vaříče a plochou stání
- Dávejte pozor na to, aby na montážním místě nevznikal průvan. Pokud namontujete vaříč do otevřené kabiny nebo na jiné otevřené místo, namontujte dodatečně ochranu proti větru.
- Zařízení **neprovazujte** v prostorech ohrožených explozí.
- Pokud se používá kardanový závěs, musí se zajistit, aby se vaříč mohl volně vyklynout.
- Nechte dostatek místa pro výkyvné pohyby kardanového závěsu.

## 6.2 Zabudování vaříče



### **POZOR! Nebezpečí poškození!**

Ujistěte se před vytvořením jakýchkoliv otvorů, že se nepoškodí vrtáním, řezáním a pilováním žádné elektrické kabely nebo jiné díly vozidla.

Pokud nepoužijete kardanový závěs, namontujte vaříč takto:

- Upevněte vaříč čtyřmi šrouby.

Kardanové závěsy (obr. **5**, strana 4) namontujte takto:

- Upevněte boční desky kardanového závěsu (**1**) na spodní části skříně vaříče (**3**) přiloženými maticemi a šrouby.



### **POZNÁMKA**

Závěsné třmeny (**2**) jsou otočné, takže vaříč (**3**) může být spuštěn dopředu nebo dozadu.

- Před namontováním závěsných třmenů (**2**) umístěte třmeny zkusmo na boční desky závěsu (**1**). Tímto způsobem můžete zjistit, jaká varianta je nejvhodnější pro Vaši loď.  
bezpečte se, že montáž probíhá podle obr. **5**, strana 4.
- Umístěte plastové podložky (**4**) s kulatým otvorem na závěsné třmeny (**2**).
- Zvedněte vaříč do správné polohy.
- Umístěte plastové podložky (**5**) s podélným otvorem na boční ramena závěsu (**2**).
- Utáhněte šrouby (**6**).
- Šrouby utáhněte jen tak pevně, jak je to pro požadovanou funkci potřebné.

### 6.3 Připojte varnou desku k přívodu plynu.



#### **VÝSTRAHA! Nebezpečí zranění!**

Používejte pouze propanové nebo butanové plynové láhve s odzkoušeným tlakovým redukčním ventilem a vhodnou hlavici. Srovnejte údaj tlaku na typovém štítku s údajem tlaku na propanové a butanové láhvi

Při připojování dodržujte tyto pokyny:

- Použijte plynové potrubí z ocelových trubek  $\varnothing 8 \times 1$  mm (svařovaná, bezešvá ocel nebo nerezavějící ocel), které těsně namontujete pomocí šroubení zářezného kroužku.
- Upevněte trubky na postranní nebo zadní stěnu okolních dílů nábytku tak, aby nedošlo k žádnému přenosu síly na akční členy.
- Spoj se smí nechat uvolnit pouze pomocí náradí. Dodržujte přitom technické úpravy z pracovních listů DVGW G607 a G608.
- Celé potrubí musí být bez pnutí.
- Udržujte délku hadicového spojení mezi plynovým přístrojem a zařízením pro přívod kapalného plynu co nejkratší a ne delší než 750 mm.
- Hadicové spojení musí být přístupné po celé délce z důvodu přezkoušení.
- Dávejte pozor při hadicovém spojení obzvláště na to, aby hadice neomezila funkci kardanového závěsu (za všech provozních podmínek: bez tahového zatížení nebo zalomení)
- Během provozu musejí být k dispozici v instalovaném prostoru větrací otvory s volným průřezem minimálně  $150 \text{ cm}^2$ . Tyto otvory mohou být uzavíratelné, musejí se však při provozu hořáku otevřít.

➤ Propojte vaříč s přívodem plynu.

➤ Umístěte nad vaříč informační štítek s následujícím textem:

„VÝSTRAHA!

Při vaření je nutné zajistit dodatečné větrání, např. otevřením oken v blízkosti grilu, varné desky nebo trouby.

Tyto přístroje se nesmějí používat pro vytápění místnosti.“

➤ Dávejte pozor na to, aby hadicové vedení

- nebylo sevřené nebo přehnuté,
- se nacházelo v bezpečné vzdálenosti od hořáku.

➤ Otevřete ventil plynové láhve.



**VÝSTRAHA! Nebezpečí zranění!**

Nikdy nekontrolujte těsnost při otevřeném ohni nebo v blízkosti zápalných zdrojů.

- ▶ Přezkoušejte všechny spoje pomocí spreje na zjišťování netěsnosti. Těsnost je zaručena, když nevzniknou žádné bublinky.

## 7 Použití vaříče

### 7.1 Zapalování vaříče

**VÝSTRAHA! Nebezpečí zranění!**

Nenechávejte vaříč při používání bez dozoru.

Celý postup zapalování musí být vidět shora a nesmí být zakryt postavenými hrnci.

**POZNÁMKA**

Pokud je vaříč s kardanovým závěsem umístěn do nejnižší polohy, musíte varnou desku překloupat do úplně vzpřímené polohy, abyste vytáhli nádrž paliva k naplnění.

- ▶ Otevřete ventil plynové láhve.
- ▶ Otevřete uzavírací ventil k vaříči.
- ▶ Otočte regulačním knoflíkem požadovaného hořáku proti směru hodinových ručiček z nulové polohy (0) do silného hoření (velký plamen).
- ▶ Zatlačte regulační knoflík a držte ho v této pozici.
- ▶ Zapalte hořák zápalkou nebo jiným vhodným zapalovacím zařízením. Odtáhněte ruku zpět, jakmile je hořák zapálený.

Pokud jste zapálili hořák, můžete otočný knoflík po cca 10 sekundách uvolnit.

- ▶ Nastavte plamen tak, aby nepřesahoval přes plochu hrnce.
- ▶ Nastavte regulační knoflík na požadovanou polohu: Velký plamen (1,6 kW) nebo Malý plamen (cca 0,5 kW).

## 7.2 Vypnutí vaříče

- Umístěte regulační knoflík do nulové polohy.
- ✓ Hořák zhasne
- Zavřete uzavírací ventil k vaříči.
- Pokud chcete vyřadit vaříč na delší dobu z provozu, zavřete ventil plynové láhve.

## 7.3 Výměna plynové láhve



### **VÝSTRAHA! Nebezpečí zranění!**

Plynovou láhev vyměňujte pouze při dobrém větrání.

Dbejte na to, aby se v blízkosti nenacházely žádné zápalné zdroje.

Plynovou láhev vyměňujte pouze při vypnutém vaříči.

- Vypněte vaříč tak, že otočíte regulačním knoflíkem ve směru hodinových ručiček do nulové polohy.
- Zavřete úplně ventil plynové láhve.
- Odšroubujte ventil z plynové láhve.
- Přezkoušejte stav hadicového vedení.  
Vyměňte hadicové vedení, pokud je materiál křehký nebo pórovitý.
- Našroubujte tlakový redukční ventil na novou láhev.

## 8 Údržba vaříče

Z bezpečnostních důvodů je nutné, aby bezvadnou funkci přístroje přezkoušel ročně znalec a byly odstraněny případné závady.

- Kontrolujte při roční kontrole přístroje zejména následující funkce:
  - Kontrola plynotěsnosti
  - Kontrola bezpečnosti hoření a stability plamene.
  - Kontrola přívodu čerstvého vzduchu.
  - Kontrola bezpečnostních a regulačních zařízení (kohouty hořáků).
- Zkontrolujte, zda instalační prostor souhlasí s místně platnými předpisy.

- ▶ Zkontrolujte následující součásti, zda nejsou znečištěny, případně je očistěte:
  - výstupní otvory plynu hořáků,
  - hlavy hořáků,
  - termočlánek.
- ▶ Zkontrolujte, zda je nastavena správná vzdálenost mezi hlavou hořáku a termočlánekem (cca 1 – 3 mm).

## 9 Čištění vaříče



### **POZOR!**

Nepoužívejte pro čištění ostré a tvrdé prostředky, protože vedou k poškození přístroje.

Používejte běžné čisticí prostředky.

- ▶ Před čištěním nechte přístroj ochladit.
- ▶ Sundejte rošt pro hrnce z vaříče.
- ▶ Vyčistěte povrch vaříče. Odstraňte zejména lepkavé zbytky tuků a olejů.
- ▶ Nepoužívejte pro čištění vaříče v žádném případě parní čistič.

## 10 Záruka

Na výrobek je poskytována záruka v souladu s platnými zákony. Pokud je výrobek vadný, kontaktujte svého specializovaného prodejce nebo pobočku výrobce ve vaší zemi (adresy jsou uvedeny na zadní straně návodu).

K provedení opravy nebo záručního servisu musíte zaslat následující dokumentaci:

- kopii účtu s datem zakoupení,
- uvedení důvodu reklamace nebo popisu vady.


## 11 Likvidace

► Obalový materiál likvidujte v odpadu určeném k recyklaci.



Jakmile výrobek zcela vyřadíte z provozu, informujte se v příslušných recyklačních centrech nebo u specializovaného prodejce o příslušných předpisech o likvidaci odpadu.

## 12 Technické údaje

	Dometic EK 1600	Dometic EK 3200
Č. vyr.:	9103300400	9103300401
Spotřeba plynu:	115 g/h	230 g/h
Kategorie plynu:	Kategorie I <sub>3</sub> , propan/butan	
Připojovací tlak:	AT, DE EE, LT, LV, MT, PL: 30 mbar BE, CH, ES, FR, GB, GR, IE, IT, LU: 28 – 30/37 mbar CY, CZ, DK, FI, HU, IS, NL, NO, SE, SI, SK: 28 – 30 mbar	
Počet hořáků:	1	2
Výkon hořáku:	1600 W	3200 W
Doba vaření 1 l vody:	cca 10 min (v závislosti na okolních podmínkách a použitém hrnci)	
Rozměry:	obr. <b>3</b> , strana 3	obr. <b>4</b> , strana 3
Hmotnost:	2,9 kg	4,2 kg
Zkouška/certifikát:		

Pred uvedením zariadenia do prevádzky si prosím pozorne prečítajte tento návod a odložte si ho. V prípade odovzdania výrobku ďalšiemu používateľovi mu odovzdajte aj tento návod.

## Obsah

1	Vysvetlenie symbolov . . . . .	165
2	Všeobecné bezpečnostné pokyny . . . . .	166
3	Rozsah dodávky . . . . .	168
4	Používanie podľa určenia . . . . .	168
5	Technický popis . . . . .	169
6	Zabudovanie variča . . . . .	170
7	Používanie variča. . . . .	172
8	Údržba variča. . . . .	174
9	Čistenie variča . . . . .	174
10	Ručenie . . . . .	175
11	Likvidácia . . . . .	175
12	Technické údaje. . . . .	176

## 1 Vysvetlenie symbolov



### **VÝSTRAHA!**

**Bezpečnostný pokyn:** Nerešpektovanie môže viesť k smrti alebo k ťažkému zraneniu.



### **POZOR!**

Nerešpektovanie môže viesť k materiálnym škodám a môže ovplyvniť funkciu zariadenia.



### **POZNÁMKA**

Doplňujúce informácie k obsluhu výrobku.

► **Konanie:** Tento symbol vám ukáže, že musíte niečo urobiť. Potrebné konania budú popísane krok za krokom.

✓ Tento symbol popisuje výsledok niektorého konania.

**Obr. 1 5, strana 3:** Tento údaj poukazuje na prvok v niektorom obrázku, v tomto príklade na „Pol. 5 v Obr. 1 na strane 3“.

## 2 Všeobecné bezpečnostné pokyny

Výrobca v nasledujúcich prípadoch nepreberá za škody žiadnu záruku:

- Chyby montáže alebo pripojenia
- Poškodenia produktu mechanickými vplyvmi a prepätiami
- Zmeny produktu bez vyjadreného povolenia výrobcu
- Použitie na iné účely ako sú účely uvedené v návode

### 2.1 Základná bezpečnosť



#### **VÝSTRAHA!**

- Používajte výhradne kvapalnú kategóriu L<sub>3</sub> (propán/bután).  
**Nepoužívajte iné palivá.**
- Zaisťte, aby ste mali na dosah vhodný hasiaci prístroj. Zabezpečte, aby hasiaci prístroj pravidelne kontroloval odborník.
- Osoby (vrátane detí), ktoré z dôvodu ich fyzických, zmyslových či duševných schopností alebo ich neskúsenosti či neznalosti nie sú schopné výrobok bezpečne používať, nemajú používať tento prístroj bez dozoru alebo poučenia od zodpovednej osoby.



#### **POZOR!**

- Používajte varič len v súlade s jeho určením.

### 2.2 Bezpečnosť pri manipulácii s kvapalným plynom



#### **VÝSTRAHA!**

- Horľavé látky uchovávajte ďaleko od ohrievacích a varných zariadení, ako aj svetelných a tepelných zdrojov.

- **Nebezpečenstvo udusenía!**

Pred zapnutím spotrebiča zaistíte, aby bol priestor dostatočne vetraný. Počas prevádzky musia byť v miestnosti, kde sa spotrebič používa, k dispozícii vetracie otvory s voľným priemerom minimálne 150 cm<sup>2</sup>. Tieto otvory môžu byť zatvárateľné, pri používaní horáka však musia byť otvorené (pozri štítok s upozornením, ktorý je pripevnený na variči.
- Porovnajete údaj o tlaku na typovom štítku s údajom o tlaku na fľaši s propánom alebo butánom.
- Fľaše s kvapalným plynom nikdy neskladujte na nevetraných miestach.
- Fľaše s kvapalným plynom chráňte pred priamym slnečným žiarením. Teplota nesmie presiahnuť 50 °C.
- Keď zaregistrujete zápach plynu:
  - Otvorte všetky okná a opustite miestnosť.
  - Nepoužite žiadne elektrické zariadenia ani otvorený plameň, pretože plyn sa môže vznietiť.
  - Zatvorte ventil na fľaši s plynom a nechajte ho zatvorený, až kým nebude porucha odstránená.
  - Nikdy sa nepokúšajte nájsť miesto unikania plynu pomocou otvoreného plameňa.
- Varič sa nesmie používať pri tankovaní, v garáži ani počas cesty.

## 2.3 Bezpečnosť pri prevádzke prístroja



### VÝSTRAHA!

- Používajte dlhé zápalky alebo príslušný zapaľovač. Celý postup zapaľovania musí byť viditeľný zhora a nesmie byť obmedzený položenými hrncami.

Keď sa horák zapáli, rýchlo odťahnite ruku.
- Pri používaní variča používajte vhodný odev.

Nenoste voľne visiaci odev, ktorý sa môže chytiť od ohňa.



### POZOR!

- Varič nechajte vychladnúť na teplotu okolia a až potom sa ho dotýkajte holými rukami.
- Okolie variča zachovávajúte bez tuku, alkoholových látok, plastov a horľavých látok (ako sú napr. záclony, utierky či kuchynské materiály).

- Používajte len hrnce a panvice s rovným dnom a s priemerom, ktorý nie je väčší ako hrncový rošt na variči. Hrnce a panvice musia byť také veľké, aby zakryli plamene. Ak plamene nebudú zakryté, môže dôjsť k zapáleniu odevu. Navyše hrnce a panvice správnej veľkosti zvyšujú hospodárnosť.
- Pri varení dajte pozor, aby boli hrnce a panvice bezpečne umiestnené. Aby bolo zaistené bezpečné umiestnenie, používajte dodaný držiak na hrnce.
- Rukoväte hrncov alebo panvíc nikdy nenechajte prečnievať cez varič. Rukoväte otočte dovnútra tak, aby sa nenachádzali nad ostatnými horákmi. Zníži sa tak nebezpečenstvo rozliatia, zapálenia horľavých látok a vzniku ťažkých popálením.
- Pri ohrievaní tuku alebo oleja postupujte opatrne. Tuk a olej sa môžu pri vysokých teplotách zapáliť.
- Používajte výhradne suché chňapky, aby nedochádzalo k vzniku pár. Nepoužívajte namiesto chňapiiek utierky a pod., pretože sa môžu chytiť od ohňa.
- Varič nikdy nenechajte pri prevádzke bez dozoru. Látky vykypené z hrncov môžu spôsobiť vznik dymu a požiar.
- Nastavte regulátor (obr. 1, strane 2) do nulovej polohy (0) a až potom snímte hrniec či panvicu.
- Varič napoužívajte na vykurovanie priestorov.

### 3 Rozsah dodávky

- Varič
- Držiak na hrnce
- Tepelné kryty
- Kardanové zavesenie
- Návod na montáž a návod na obsluhu

### 4 Používanie podľa určenia

Variče na kvapalnú plyn modelových radov EK 1600 a EK 3200 od spoločnosti Dometic sú určené na zabudovanie do automobilov a lodí.



## 5 Technický popis

### 5.1 Funkcia

Varič je vyrobený z ušľachtilej ocele. Ako palivo sa používa výhradne kvapalný plyn kategórie I<sub>3</sub> (propán/bután).

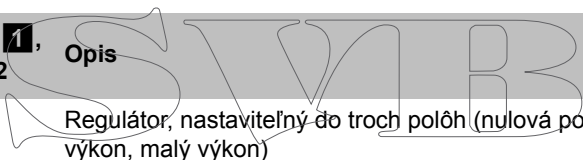
### 5.2 Špecifikácie variantov spotrebiča

Varič sa dodáva v rôznych prevedeniach.

- **EK 1600:** Varič s jedným horákom
- **EK 3200:** Varič s dvomi horákmi

Váš typ spotrebiča zistíte podľa popisu modelu, ktorý je uvedený na prednej strane variča.

### 5.3 Ovládacie prvky

Č. na obr. 1, strane 2	Opis
1	 <p>Regulátor, nastaviteľný do troch polôh (nulová poloha, veľký výkon, malý výkon)</p> <p>Otočením proti smeru hodinových ručičiek sa otvorí plynový kohútik.</p> <p>Otočením v smere hodinových ručičiek sa plynový kohútik zatvorí.</p>
2	Držiak na hrnce

## 6 Zabudovanie variča

Varič možno zabudovať do pracovnej platne v kuchyni.

### 6.1 Výber miesta zabudovania

Pri výbere miesta zabudovania zohľadnite nasledujúce upozornenia:

- Pre zariadenie vyberte dobre vetrané miesto.
- Je potrebná minimálna vzdialenosť (obr. **2**, strane 2)
  - 150 mm od bočných stien,
  - 170 mm od zadnej steny,
  - 500 mm medzi horákom a horizontálnou plochou nad varičom,
  - 10 mm medzi spodnou časťou variča a plochou na státie.
- Dbajte na to, aby v mieste montáže nedochádzalo k prievanu. Keď varič zabudujete do otvorenej kabíny alebo na iné otvorené miesto, doplnkovo namontujte aj ochranu proti vetru.
- Spotrebič **nepoužívajte** v priestoroch ohrozených výbuchom.
- Pri použití kardanového zavesenia je nutné zaistiť, aby sa varič mohol voľne kývať.
- Nechajte dostatok miesta na kývacie pohyby kardanového zavesenia.

### 6.2 Zabudovanie variča



#### **POZOR! Nebezpečenstvo poškodenia!**

Pred vykonávaním vŕtacích prác zistite, či sa pri vŕtaní, rezaní a pilovaní nemôže poškodiť elektrický kábel alebo iné časti vozidla.

Postup montáže variča bez kardanového zavesenia:

- Pripevnite varič štyrmi skrutkami.

Montáž kardanových zavesení (obr. **5**, strane 4):

- Pomocou priložených matíc a skrutiek pripevnite bočné platňe kardanového zavesenia (**1**) na spodný diel plášťa variča (**3**).



#### **POZNÁMKA**

Závesné držiaky (**2**) sú otočné, aby sa varič (**3**) mohol posúvať dopredu alebo dozadu.

- Pred namontovaním závesných držiakov (2) na skúšku ich namontujte na bočné platne zavesenia (1). Takto môžete zistiť, ktoré varianty sú pre vašu loď najvhodnejšie.

Zaistite, aby zabudovanie prebehlo podľa pokynov na obr. 5, strane 4.

- Plastové pláty (4) s okrúhlym otvorom pripevnite na závesné držiaky (2).
- Nadvihnite varič do správnej polohy.
- Plastové pláty (5) s pozdĺžnymi otvormi pripevnite na bočné ramená zavesenia (2).
- Uťahnite skrutky (6).
- Skrutky utiahnite len do tej miery, ako je potrebné pre požadovanú funkciu.

### 6.3 Pripojenie variča na plynovú prípojku



#### VÝSTRAHA! Nebezpečie poranenia!

Používajte výhradne fľaše s propánom alebo butánom s preskúšaným redukčným ventilom a s vhodnou hlavnicou. Porovnajte údaj o tlaku na typovom štítku s údajom o tlaku na fľaši s propánom alebo butánom.

Pri pripájaní rešpektujte nasledujúce pokyny:

- Použite plynové potrubie z ocelevej rúry  $\varnothing 8 \times 1$  mm (zváraná, bezošvá oceľ alebo nehrdzavejúca oceľ), ktoré tesne namontujete pomocou tvarovacieho prstenca.
- Pripevnite rúru na bočnú alebo zadnú stenu okolitého nábytku tak, aby nedochádzalo k prenosu sily na regulačný prvok.
- Spoj sa môže dať uvoľniť len pomocou nástroja. Dodržiavajte pritom technické regulatívy pracovných listov DVGW G607 a G608.
- Celé potrubné vedenie musí byť bez napätia.
- Dĺžku hadicovej spojky medzi plynovým spotrebičom a zásobovacím zariadením s kvapalným plynom zachovávajte čo najkratšie a nie dlhšie ako 750 mm.
- Hadicová spojka musí byť prístupná na kontrolu po celej dĺžke.
- Pri hadicovej spojke dbajte najmä na to, aby hadica neobmedzovala fungovanie kardanového zavesenia (za **každých** prevádzkových podmienok: žiadne zaťaženie ťahom ani zlomy).

- Počas prevádzky musia byť v miestnosti, kde sa spotrebič používa, k dispozícii vetracie otvory s voľným priemerom minimálne 150 cm<sup>2</sup>. Tieto otvory môžu byť zatvárateľné, pri používaní horáka však musia byť otvorené.
- Spojte varič s plynovou prípojkou.
- Na varič umiestnite výstražný štítok s nasledujúcim textom:  
„VÝSTRAHA!  
Pri varení je nutné zaistiť doplnkové vetranie, napr. otvorením okien v blízkosti grilu, variča a rúry.  
Tieto spotrebiče sa nesmú používať na vykurovanie priestoru.“
- Dajte pozor, aby hadicové vedenie
  - nebola privretá ani zlomená
  - a aby sa nachádzala v bezpečnej vzdialenosti od horáka.
- Otvorte ventil na plynovej fľaši.

**VÝSTRAHA! Nebezpečie poranenia!**

Tesnosť nikdy nekontrolujte pri otvorenom plameni ani v blízkosti zdrojov zapálenia.

- Pomocou spreja na zisťovanie presakov skontrolujte tesnosť všetkých spojení.  
Tesnosť je správna, keď sa nevytvárajú žiadne bublinky.

## 7 Používanie variča

### 7.1 Zapálenie variča

**VÝSTRAHA! Nebezpečie poranenia!**

Varič sa nesmie používať bez dohľadu.

Celý postup zapalovania musí byť viditeľný zhora a nesmie byť obmedzený položenými hrncami.

**POZNÁMKA**

Keď je varič s kardanovým zavesením pripevnený v najnižšej polohe, varné pole sa musí pri vyberaní zásobníka paliva za účelom naplnenia zaklapnúť do úplne vzpriamenej polohy.

- Otvorte ventil na plynovej fľaši.
- Otvorte uzáverový ventil k variču.
- Otočte regulátor požadovaného horáka od nulového nastavenia (0) doľava na veľký výkon (veľký oheň).
- Stlačte regulátor a podržte ho v tejto polohe.
- Zápalkou alebo iným vhodným zapalovacím zariadením zapáľte horák. Hneď ako sa horák zapáli, odtiahnite ruku.  
Keď sa horák zapálil, približne po 10 sekundách môžete otočný gombík pustiť.
- Plameň nastavte tak, aby neprečnieval cez plochu hrnca.
- Nastavte regulátor do požadovanej polohy: veľký výkon (1,6 kW) alebo malý výkon (cca. 0,5 kW).

## 7.2 Vypnutie variča

- Nastavte regulátor na nulové nastavenie.
- ✓ Horák zhasne.
- Zatvorte uzáverový ventil k variču.
- Keď varič dlhšie nebudete používať, zatvorte ventil na plynovej fľaši.

## 7.3 Výmena plynovej fľaše



### **VÝSTRAHA! Nebezpečie poranenia!**

Pri výmene plynovej fľaše musí byť zaistené dobré vetranie. Dajte pozor, aby sa v blízkosti nenachádzal žiadny zdroj zapálenia. Plynovú fľašu vymieňajte, len keď je vypnutý varič.

- Vypnite varič tak, že regulátor otočíte doprava do nulovej polohy.
- Zatvorte ventil na plynovej fľaši.
- Odskrutkujte ventil z plynovej fľaše.
- Skontrolujte stav hadicového vedenia. Ak je materiál lámavý alebo pórovitý, hadicové vedenie vymeňte.
- Redukčný ventil pevne priskrutkujte na novú fľašu.

## 8 Údržba variča

Z bezpečnostných dôvodov je nutné, aby bol spotrebič raz ročne odborné skontrolovaný, či funguje bez závad, a aby sa odstránili prípadné nedostatky.

- ▶ Pri ročnej kontrole spotrebiča skontrolujte najmä nasledujúce funkcie:
  - kontrola plynovej tesnosti,
  - kontrola bezpečnosti horenia a stability plameňa,
  - kontrola prívodu čerstvého vzduchu,
  - kontrola bezpečnostných a regulačných predpisov (kohúty horákov).
- ▶ Skontrolujte, či prostredie, kde je spotrebič umiestnený, spĺňa miestne platné predpisy.
- ▶ Skontrolujte nasledujúce diely, či nie sú znečistené, a v prípade potreby ich vyčistíte:
  - otvory, z ktorých vystupuje plyn na horáku,
  - hlavice horákov,
  - termočlánok.
- ▶ Skontrolujte, či je nastavená správna vzdialenosť medzi hlavou horáka a termočlánkom (cca. 1 až 3 mm).

## 9 Čistenie variča



### **POZOR!**

Na čistenie nepoužívajte ostré ani tvrdé predmety, inak môže dôjsť k poškodeniu spotrebiča.

Používajte bežné čistiace prostriedky.

- ▶ Pred čistením nechajte spotrebič vychladnúť.
- ▶ Z variča snímte rošt.
- ▶ Vyčistíte povrch variča. Odstraňujte najmä lepivé zvyšky tuku a oleja.
- ▶ Na čistenie variča v žiadnom prípade nepoužívajte tlakový parný čistič.

## 10 Ručenie

Platí zákonom stanovená záručná lehota. Ak by bol výrobok chybný, obráťte sa na pobočku vo vašej krajine (adresy pozri na zadnej strane návodu) alebo na vášho špecializovaného predajcu.

Ak žiadate o vybavenie opravy alebo nárokov vyplývajúcich zo záruky, musíte priložiť nasledovné podklady:

- kópiu faktúry s dátumom kúpy,
- dôvod reklamácie alebo opis chyby.

## 11 Likvidácia

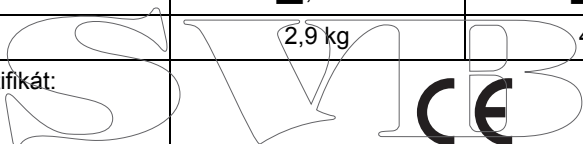
- Obalový materiál podľa možnosti odovzdajte do príslušného odpadu na recykláciu.



Keď výrobok definitívne vyradíte z prevádzky, informujte sa v najbližšom recyklačnom stredisku alebo u vášho špecializovaného predajcu o príslušných predpisoch týkajúcich sa likvidácie.

# SVIB

## 12 Technické údaje

	Domestic EK 1600	Domestic EK 3200
Tovarové č.:	9103300400	9103300401
Spotreba plynu:	115 g/hod.	230 g/hod.
Kategória plynu:	Kategória I <sub>3</sub> , propán/bután	
Tlak v prípojke:	AT, DE EE, LT, LV, MT, PL: 30 mbar BE, CH, ES, FR, GB, GR, IE, IT, LU: 28 – 30/37 mbar CY, CZ, DK, FI, HU, IS, NL, NO, SE, SI, SK: 28 – 30 mbar	
Počet horákov:	1	2
Výkon horáka:	1600 W	3200 W
Čas varenia pre 1 l vody:	cca. 10 min. (podľa okolitých podmienok a používaného hrnca )	
Rozmery:	obr. <b>3</b> , strane 3	obr. <b>4</b> , strane 3
Hmotnosť:	2,9 kg	4,2 kg
Skúška/certifikát:		



SVIB

SVIB

SVIB

GERMANY

**Dometic WAECO International GmbH**

Hollefeldstraße 63 · D-48282 Emsdetten

☎ +49 (0) 2572 879-195 · 📠 +49 (0) 2572 879-322

Mail: info@dometic-waeco.de · Internet: www.dometic-waeco.de

AUSTRALIA

**Dometic Australia Pty. Ltd.**

1 John Duncan Court  
Varsity Lakes QLD 4227

☎ +61 7 55076000

📠 +61 7 55076001

Mail: sales@dometic-waeco.com.au

AUSTRIA

**Dometic Austria GmbH**

Neudorferstrasse 108  
2353 Guntramsdorf

☎ +43 2236 908070

📠 +43 2236 90807060

Mail: info@waeco.at

BENELUX

**Dometic Benelux B.V.**

Ecustraart 3

NL-4879 NP Etten-Leur

☎ +31 76 5029000

📠 +31 76 5029090

Mail: info@dometic.nl

DENMARK

**Dometic Denmark A/S**

Nordensvej 15, Taulov

DK-7000 Fredericia

☎ +45 75585966

📠 +45 75586307

Mail: info@waeco.dk

FINLAND

**Dometic Finland OY**

Mestarintie 4

FIN-01730 Vantaa

☎ +358 20 7413220

📠 +358 9 7593700

Mail: info@dometic.fi

FRANCE

**Dometic S.N.C.**

ZA du Pré de la Dame Jeanne

F-60128 Plailly

☎ +33 3 44633500

📠 +33 3 44633518

Mail: info@dometic.fr

HONG KONG

**WAECO Impex Ltd.**

Suites 2207-2211 · 22/F · Tower 1

The Gateway · 25 Canton Road,

Tsim Sha Tsui · Kowloon

Hong Kong

☎ +852 24611386

📠 +852 24665553

Mail: info@dometic-waeco.com.hk

ITALY

**Dometic Italy S.r.l.**

Via Virgilio, 3

I-47100 Forlì

☎ +39 0543 754901

📠 +39 0543 756631

Mail: info@dometic.it

NORWAY

**Dometic Norway AS**

Skolmar 24

N-3232 Sandefjord

☎ +47 33428450

📠 +47 33428459

Mail: firmapost@waeco.no

POLAND

**Dometic Poland Sp. z o.o.**

Ul. Puławska 435A

02-801 Warszawa

Poland

☎ +48 22 414 32 00

📠 +48 22 414 32 01

Mail: info@dometic.pl

RUSSIA

**Dometic RUS LLC**

Komsomolskaya square 6-1

107140 Moscow

Russia

☎ +7 495 780 79 39

📠 +7 495 916 56 53

Mail: info@dometic.ru

SLOVAKIA

**Dometic Slovakia s.r.o.**

Tehelná 8

SK-98601 Filákovo

☎ +421 47 4319 107

📠 +421 47 4319 166

Mail: info@dometic.sk

SPAIN

**Dometic Spain S.L.**

Avda. Sierra del Guadarrama, 16

E-28691 Villanueva de la Cañada

Madrid

☎ +34 902 111 042

📠 +34 900 100 245

Mail: info@dometic.es

SWEDEN

**Dometic Scandinavia AB**

Gustaf Melins gata 7

S-42131 Västra Frölunda (Göteborg)

☎ +46 31 7341100

📠 +46 31 7341101

Mail: info@waeco.se

SWITZERLAND

**Dometic Switzerland AG**

Riedackerstrasse 7a

CH-8153 Rümlang (Zürich)

☎ +41 44 8187171

📠 +41 44 8187191

Mail: info@dometic-waeco.ch

TAIWAN

**WAECO Impex Ltd.**

Taipei Office

2 FL-3 · No. 56 Tunhua South Rd, Sec 2

Taipei 106, Taiwan

☎ +886 2 27014090

📠 +886 2 27060119

Mail: marketing@dometic-waeco.com.tw

UNITED KINGDOM

**Dometic UK Ltd.**

Dometic House · The Brewery

Blandford St. Mary

Dorset DT11 9LS

☎ +44 844 626 0133

📠 +44 844 626 0143

Mail: sales@dometic.co.uk

UNITED ARAB STATES

**Dometic AB**

Regional Office Middle East

P O Box 74775

Dubai, United Arab Emirates

☎ +974 4 321 2160

📠 +971 4 321 2170

Mail: info@dometic.ae

UNITED STATES OF AMERICA

**Dometic Marine Division**

2000 N. Andrews Ave. Extension

Pompano Beach, FL 33069 USA

☎ +1 954 973 2477

📠 +1 954 979 4414

Mail: marinesales@dometicusa.com

