

# SA-320

## Installation Guide



**Date: Mar, 2011**  
**Version: 2.5**

**All Rights Reserved**

## TABLE OF CONTENTS

1. Product Overview.....	3
1.1 Main Features.....	3
1.2 Applications.....	3
1.3 Package Content.....	3
2. Installation.....	4
2.1 Mounting methods.....	4
2.2 USB Connect Definition.....	5
2.3 Bare Wire Definition.....	6
2.4 Circular Connector Definition.....	8
2.5 NMEA Connector Definition.....	9
2.6 DB_9 ( Female ) Connector Pin Definition.....	10
3. Technical Specification.....	11
4. Limited Warranty.....	13
5. Appendix.....	13

SVMB

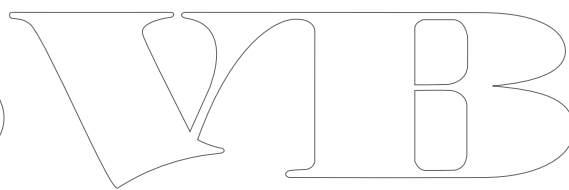
## 1. Product Overview

### 1.1 Main Features

- Built-in patch antenna
- 12 parallel tracking channels
- Fast TTFF and low power consumption
- On-board rechargeable battery sustained Real-Time Clock and control parameters memory for fast satellite acquisition during power-up
- Interference filter to major VHF channels of marine radar
- DGPS : WAAS / EGNOS support
- Perfect Static Drift for both of speed and course
- Magnetic Declination compensation
- Is protected against reverse polarity voltage
- Support USB or RS-232 or RS-422 interface

### 1.2 Applications

- Marine Navigation
- Fishing Aid
- Fleet Management
- Time Synchronization Control
- Vehicle Tracking
- Robotic



### 1.3 Package Content

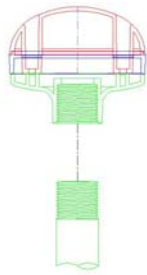
When open the package, please check it includes the following items.  
Contact your dealer immediately if any item is missing or damaged.

- Installation Guide
- SA-320 GPS Receiver with Cable
- Thread Adaptor
- Screw Pairs
- Mounting-Hole-Drill Alignment Mask
- CD Manual

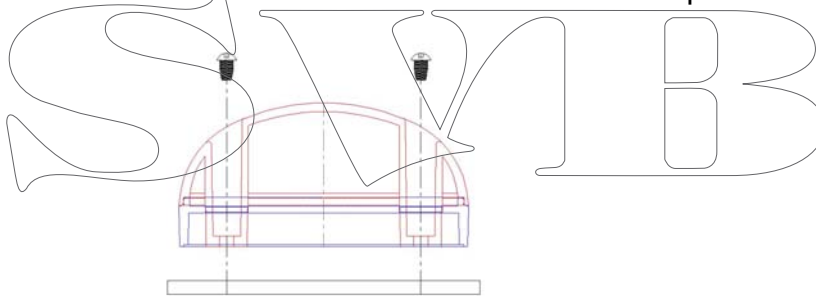
## 2. Installation

### 2.1 Mounting Methods

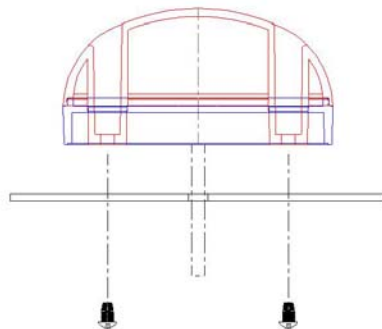
2.1.1 To mount the SA-320, with Thread Adaptor, on a standard cable pole.



2.1.2 To screw the SA-320 on the surface of the plate.

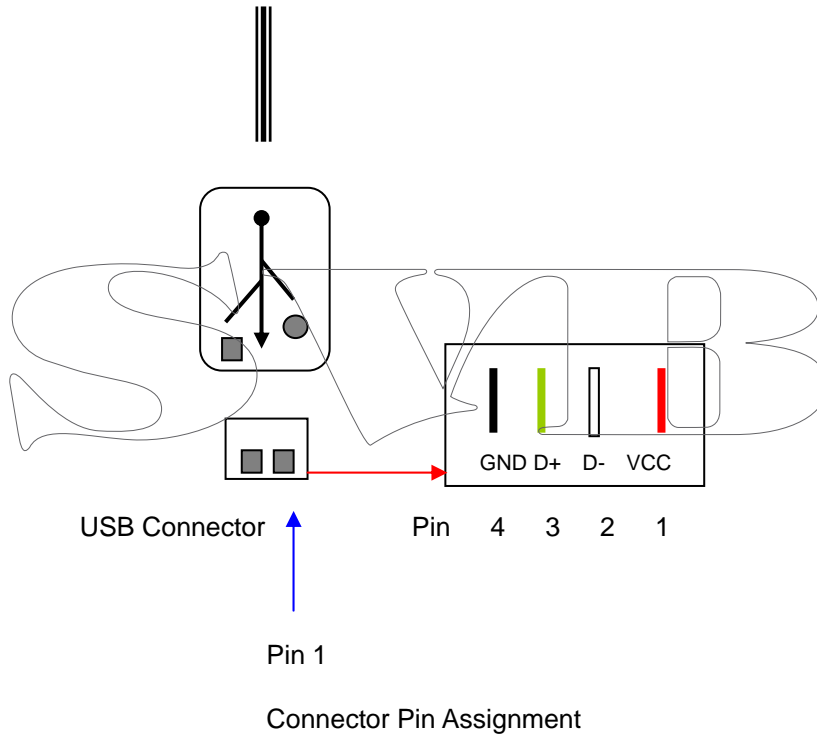


2.1.3 To screw the SA-320 on the surface of a plate from the other side.



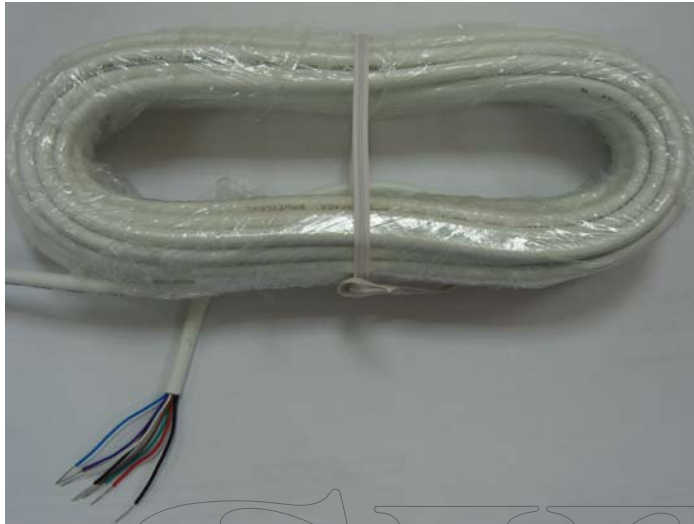
## 2.2 USB Connector Definition

Pin	Function	Color
1	VCC, 5V	Red
2	D-	White
3	D+	Green
4	GND	Black



### 2.3 Bare Wires Pin Definition

#### 2.3.1 Bare Wires Definition ( RS-232 ) For EverMore Standard



Wire Color	Designation
Violet	NC
Red	VCC, Power Supply ( VDC 9V-34V)
Brown	NC
Green	RS-232 Transmit Tx, Output Signal
Blue	NC
White	RS-232 Receiver Rx, Input Signal
Black	Ground
Gray	Shield Wire, Signal Ground

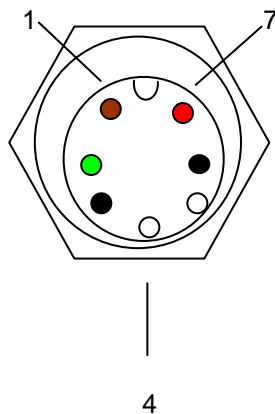
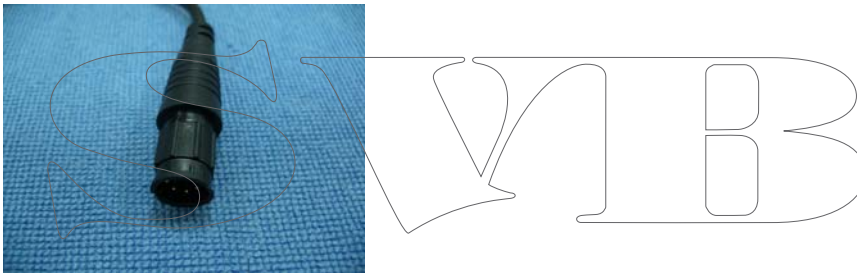
### 2.3.2 Bare Wires Definition ( RS-422 ) For EverMore Standard



Wire Color	Designation
Violet	NC
Red	VCC, Power Supply ( VDC 9V-34V)
Brown	RS-422 Transmit Tx - , Output Signal
Green	RS-422 Transmit Tx+, Output Signal
Blue	RS-422 Receiver Rx - , Input Signal
White	RS-422 Receiver Rx + , Input Signal
Black	Power Ground
Gray	Shield Wire, Signal Ground

2.4 Circular Connector ( Male ) For GEONAV

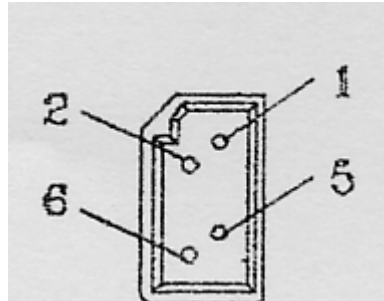
Pin	Function	Input/Output	Level
1	NC	No Connect	
2	TX	Output	RS-232
3	GND	Ground	0V
4	NC	No Connect	
5	RX	Input	RS-232
6	GND	Ground	0V
7	VCC	Power Supply	VDC 9-34V



Connectors Pin Assignment

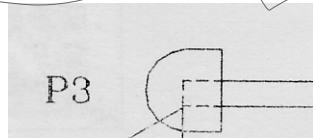


## 2.5 NMEA Connector Pin Definition (RS-232 ) For HUMMINBIRD



Pin Number	Designation
1	VCC, Power Supply + ( VDC 9V-34 V )
2	PGND, Power Ground
5	RS-232 Transmit Tx, Output Signal
6	RS-232 Receiver Rx, Input Signal

### 2.5.1 Bare Wire Pin Definition



Wire Color	Designation
Black	PGND, Power Ground
Red	VCC, Power Supply + ( VDC 9V-34 V )
White	RS-232 Receiver Rx, Input Signal

**2.6 DB\_9 ( Female ) Connector Pin Definition ( RS-232 )  
with Power Supply**



Pin Number	Designation
1	NC
2	RS-232 Transmit Tx, Output Signal
3	RS-232 Receiver Rx, Input Signal
4	NC
5	PGND, Power Ground
6	VCC, Power Supply + ( VDC 9V-34 V )
7	NC
8	NC
9	NC

### 3. Technical Specification

#### Performance Specification

Features	Description
<b>General</b>	L1 1575.42MHz, C/A code, 12-channel, Carrier-Aided with HWTrack©
<b>Sensitivity</b>	-143 dBm minimum
<b>Update Rate</b>	1Hz
<b>Accuracy</b>	Position: 15m CEP without S/A Velocity: 0.1m/sec without S/A Time: ± 100ns synchronized to UTC time
<b>WAAS Accuracy</b>	Position: 3m CEP Velocity: 0.05m/sec
<b>Acquisition</b>	Cold start: 45sec (average) Warm start: 38sec (average) Hot start: 8sec (average)
<b>Reacquisition</b>	0.1 sec
<b>DGPS</b>	WAAS/EGNOS
<b>Dynamics</b>	Altitude: -1000m to 18000m Velocity: 500m/sec Acceleration: ±4g
<b>Antenna</b>	Built-in Patch Antenna

#### Environmental Specification

Features	Description
<b>Operation Temperature</b>	-30°C to +80°C degrees Celsius
<b>Storage Temperature</b>	-40°C to +90°C degrees Celsius
<b>Operating Humidity</b>	5% to 95%

#### Physical characteristics

Features	Description
<b>Input current</b>	Maximum 150 mA
<b>Dimensions</b>	Diameter: 83.3mm or 3.27-inch, Height: 60mm or 2.36-inch
<b>Weight</b>	8.46oz or 240g

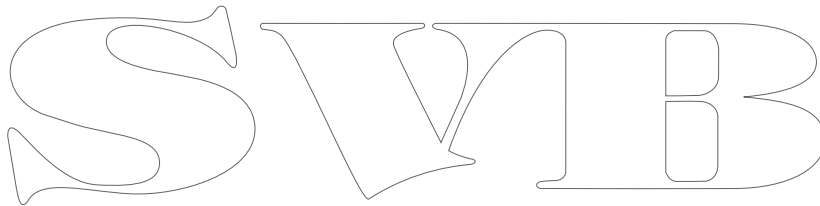
### Protocol

Features	Description
Protocols	NMEA-0183 V2.2 at 4800 baud rate , 8-None-1
NMEA messages	Default : GGA, RMC, GSA, GSV Optional : GLL, VTG

### Interface Specification

Features	Description
Interface	USB or RS-232 or RS-422
Power Input	VDC +5V ( USB ) or VDC 9V-34V (RS-232/RS-422 , Circular Connector )

Preliminary Specification, Subject To Change without Notice



## 4. Limited Warranty

The SA-320 GPS receiver is warranted to be defect free in material designed to use and production for one year from the date of purchase. Under normal operation conditions, any failure of this product caused by material/production within the warranted period, it would be replaced with no charge.

## 5. Appendix

### EverMore Website

Welcome to EverMore website at <http://www.emt.com.tw> or <http://www.globalsources.com/gpsevermore.co> for updated product information and drivers download.

© EverMore Technology, Inc. All rights reserved.

Not to be reproduced in whole or part for any purpose without written permission of EverMore Technology Inc. Information provided by EverMore Technology Inc. is believed to be accurate and reliable. However, no responsibility is assumed by EverMore Technology Inc. for its use. EverMore Technology Inc. reserves the right to change specification at any time without notice.