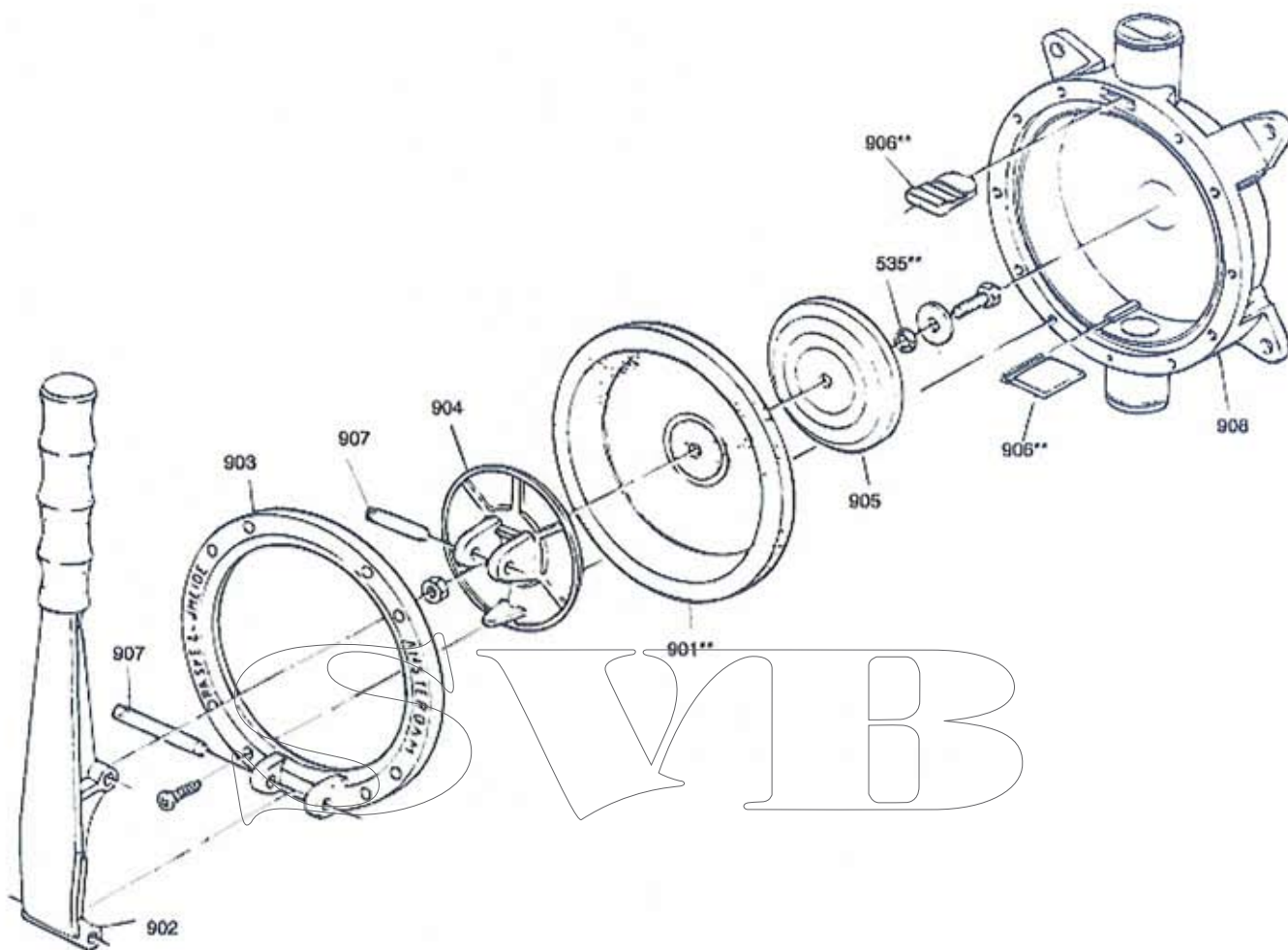


BILGEPUMP JUNIOR

Technical specifications



Partsn.	Description
535**	Seal
901**	Membrane
902	Handle
903	Clamp ring
904	Swivel disc
905	Membrane disc
906**	Valve set
907	Pins
908	Pump base
909**	Repairkit