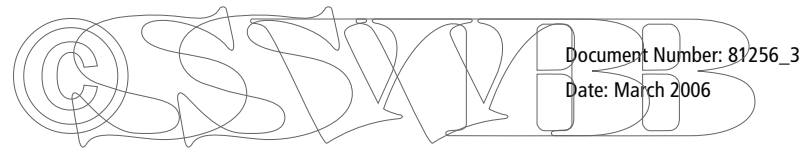


# Radome Scanners

## Users Guide



Document Number: 81256\_3

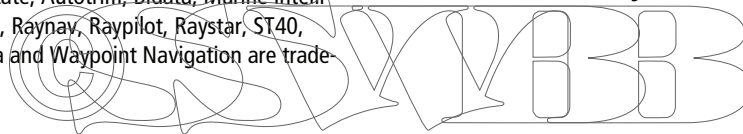
Date: March 2006

### **Trademarks and registered trademarks**

Autohelm, HSB, Raymarine, RayTech, RayTech RNS, Sail Pilot, SeaTalk and Sportpilot are registered trademarks of Raymarine Limited. Apelco is a registered trademark of Raymarine Holdings Limited (Registered in all major marketing territories).

AST, Autoadapt, Auto GST, Autoseastate, Autotrim, Bidata, Marine Intelligence, Maxiview, On Board, Raychart, Raynav, Rayplot, Raystar, ST40, ST60, Seaclutter, Smart Route, Tridata and Waypoint Navigation are trademarks of Raymarine Limited.

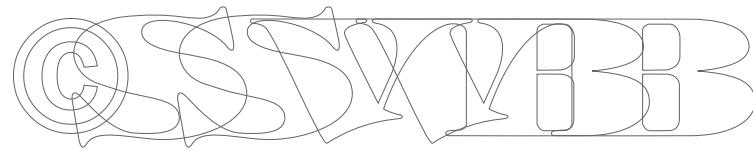
© Raymarine UK Ltd 2006



All other product names mentioned are trademarks or registered trademarks (if applicable) of their respective companies.

## Contents

<b>Important information .....</b>	<b>1</b>		
Introduction.....	1		
Intended use .....	1		
Safety notices .....	1		
<b>WARNING: High voltage.....</b>	<b>1</b>		
<b>WARNING: Electromagnetic energy.....</b>	<b>1</b>		
<b>WARNING: Product installation .....</b>	<b>1</b>		
Waste Electrical and Electronic Directive.....	2		
EMC conformance .....	2		
Declaration of conformity.....	2		
Display software version .....	2		
Warranty .....	2		
Handbook information .....	2		
<b>Installation .....</b>	<b>3</b>		
EMC installation guidelines.....	3		
Suppression ferrite.....	3		
Connections to other equipment .....	3		
What's in the box? .....	4		
What tools do I need to install the scanner? .....	4		
How big is the scanner? .....	5		
18" Radome scanner .....	5		
24" Radome scanner .....	5		
Planning the installation .....	6		
Cable requirements .....	7		
Scanner cables .....	7		
Running the cable to the scanner .....	7		
Inter-unit cables.....	7		
Power cables.....	8		
		Extending the power cable .....	8
		Power requirements.....	8
		Extending the power cable.....	9
		Mounting options.....	11
		Preparing the mounting holes .....	11
		Securing the scanner to the mounting platform .....	12
		Connecting the inter-unit cable to the scanner .....	13
		Completing the installation .....	14
		Display connections.....	15
		Power connections.....	15
		Inter-unit cable connections .....	16
		Scanner setup.....	16
		Before you go to sea.....	16
		EMC conformance.....	16
		System checks.....	16
		Set up, alignment and timing checks .....	17
		<b>Maintenance and troubleshooting .....</b>	<b>19</b>
		Introduction .....	19
		Maintenance.....	19
		Troubleshooting.....	19
		Technical support.....	20
		<b>Technical specification.....</b>	<b>21</b>
		RD218 18" Radome scanner unit .....	21
		RD424 24" Radome scanner unit .....	23
		<b>Raymarine World Wide Warranty .....</b>	<b>25</b>



## Important information

### Introduction

This handbook contains an explanation of how to install, connect and maintain your radome scanner and covers the following models:

- RD218 - 18" 2kW Radome scanner.
- RD424 - 24" 4 kW Radome scanner.

Your radar has been designed and manufactured to meet the rigorous demands of the marine environment. However, no machine can perform its intended function unless installed, operated and maintained properly. Please carefully read and follow the recommended procedures for installation contained in this handbook.

When properly installed and operated, the use of this radar will conform to the requirements of:

- IEEE C95.1 - 1999 - Standard for Safety Levels with respect to Human Exposure to Radio Frequency Electromagnetic Fields, 3 kHz to 300GHz.
- ICNIRP Guidelines 1998 - International Commission on Non-Ionising Radiation Protection: Guidelines for limiting exposure to time-varying electric, magnetic and electro-magnetic fields (up to 300GHz) 1998.

### Intended use

This product is a radar scanner intended for use within a navigational radar system. The intended application is for leisure marine boats and work boats not covered by IMO/SOLAS carriage requirements.

### Safety notices



## WARNING

### Radio Frequency Radiation Hazard

**The radar antenna emits electromagnetic radio frequency (RF) energy which can be harmful particularly to your eyes. DO NOT look at the antenna at close range.**

**It is important that the radar is turned off whenever personnel are required to come close to the scanner assembly or associated equipment. It is recommended that the radar scanner is mounted out of range of personnel (above head height).**

**Distances from the face of the radar at which RF radiation levels of 100 W/m<sup>2</sup> and 10 W/m<sup>2</sup> exist are given below**

Model	Distance to 100 W/m <sup>2</sup> point	Distance to 10 W/m <sup>2</sup> point
RD218	Nil	Worst case 1.0m
RD214	Nil	Worst case 1.0m



## WARNING

### High Voltage

**The scanner unit contains high voltages. Adjustments require specialized service procedures and tools only available to qualified service technicians - there are no user serviceable parts or adjustments. The operator should never remove the scanner unit internal covers or attempt to service the equipment.**



## WARNING

### Product installation

**This equipment must be installed in accordance with the instructions contained in this handbook. Failure to do so could result in poor product performance, personal injury and/or damage to your boat.**

### FCC Notice

**Changes or modifications to this equipment, not expressly approved in writing by Raymarine Inc., could violate compliance with FCC rules and void the operator's authority to operate the equipment.**

## Waste Electrical and Electronic Equipment Directive



The Waste Electrical and Electronic Equipment (WEEE) Directive requires the recycling of waste electrical and electronic equipment. Whilst the WEEE Directive does not apply to some of Raymarine's products, we support its policy and ask you to be aware of how to dispose of this product.

The crossed out wheeled bin symbol, illustrated above, and found on our products signifies that this product should not be disposed of in general waste or landfill.

Please contact your local dealer, national distributor or Raymarine Technical Services for information on product disposal.

## EMC conformance

All Raymarine equipment and accessories are designed to the best industry standards for use in the recreational marine environment. The design and manufacture of Raymarine equipment and accessories conform to the appropriate Electromagnetic Compatibility (EMC) standards, but correct installation is required to ensure that performance is not compromised.

## Declaration of conformity

Raymarine UK Limited hereby declare that the products to which this manual relates comply with the appropriate requirements and provisions of the R&TTE Directive 1999/5/EC.

The full Declaration of Conformity may be viewed on the relevant product pages at [www.raymarine.com](http://www.raymarine.com)

## Display software version

For operation of your scanner, the display unit requires the appropriate software version. These are:

- E Series displays - Version 3.03 or later.
- C Series displays - Version 3.01 or later.

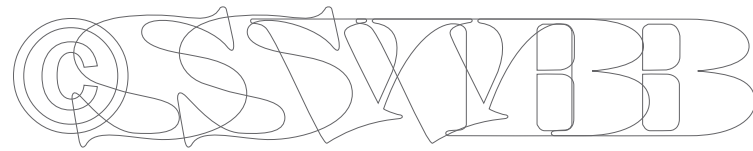
The software version can be confirmed by switching on the display and checking the version number during the magnetron warm-up sequence. However, if a scanner is not connected to the display, the version number will only be displayed for 10 seconds.

## Warranty

To register your new Raymarine product, please take a few minutes to fill out the warranty card. It is important that you complete the owner information and return the card to receive full warranty benefits. Alternatively you can register your product on line at [www.raymarine.com](http://www.raymarine.com)

## Handbook information

The technical and graphical information contained in this handbook, to the best of our knowledge, was correct as it went to press. However, our policy of continuous improvement and updating may change product specifications without prior notice. As a result, unavoidable differences between the product and handbook may occur from time to time.





## Installation

### EMC installation guidelines

All Raymarine equipment and accessories are designed to the best industry standards for use in the recreational marine environment.

Their design and manufacture conforms to the appropriate Electromagnetic Compatibility (EMC) standards, but correct installation is required to ensure that performance is not compromised. Although every effort has been taken to ensure that they will perform under all conditions, it is important to understand what facts could affect the operation of the product.

The guidelines here describe the conditions for optimum EMC performance, but it is recognized that it may not be possible to meet all of these conditions in all situations. To ensure the best possible conditions for EMC performance within the constraints imposed by any location, always ensure the maximum separation possible between different items of electrical equipment.

For optimum EMC performance, it is recommended wherever possible:

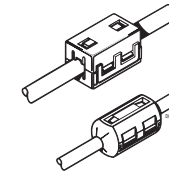
- Raymarine equipment and cables connected to it are:
  - At least 3 ft. (1m) from any other equipment transmitting or carrying radio signals. In the case of Single Side Band (SSB) radio, the distance should be increased to 7 ft. (2m).
  - More than 7 ft. (2m) from the path of a radar beam. A radar beam can normally be assumed to spread 20 degrees above and below the radiating element.
- The equipment is supplied from a separate battery to that used for engine start. Voltage drops below 10 V, and starter motor transients, can cause the equipment to reset. This will not damage the equipment, but may cause the loss of some information and may change the operating mode.

- Raymarine specified cables are used. Cutting and rejoining these cables can compromise EMC performance and must be avoided unless doing so is detailed in the installation manual/

### Suppression ferrite

If a suppression ferrite is attached to a cable, this ferrite should not be removed. If the ferrite needs to be removed during installation it must be reassembled in the same position.

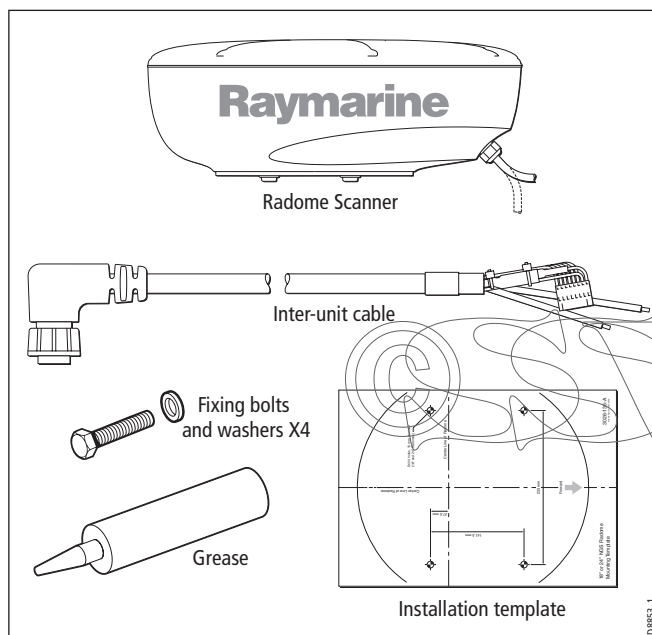
The illustration shows typical cable suppression ferrites used with Raymarine equipment. Always use the ferrites supplied by Raymarine.



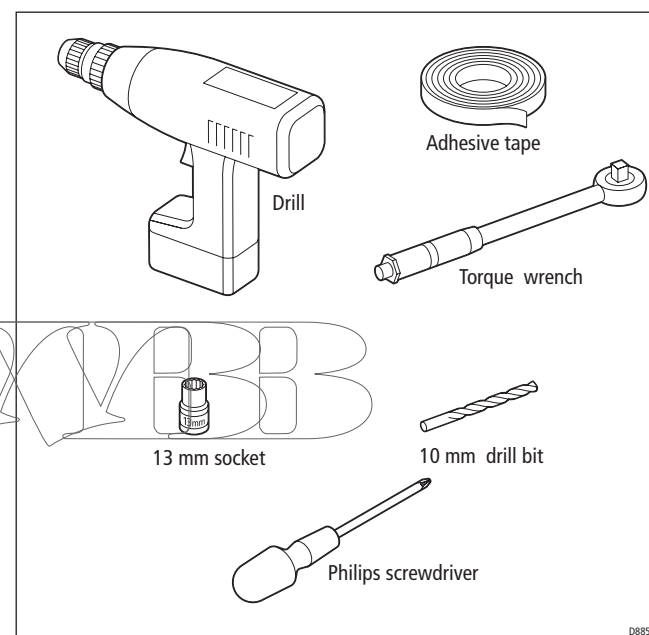
### Connections to other equipment

If your Raymarine equipment is to be connected to other equipment using a cable not supplied by Raymarine, a suppression ferrite **MUST** always be attached to the cable near to the Raymarine unit.

## What's in the box?



## What tools do I need to install the scanner?

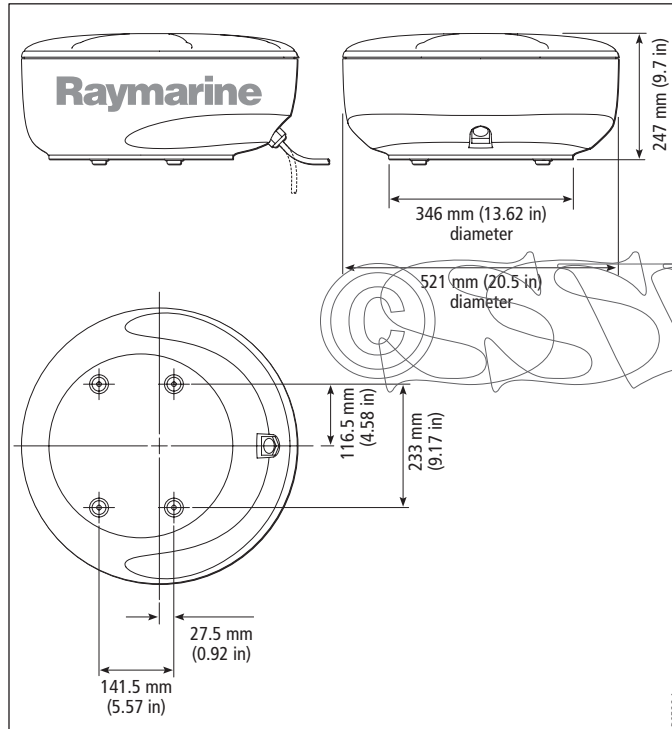


Components are dependant on your system package, but are either:

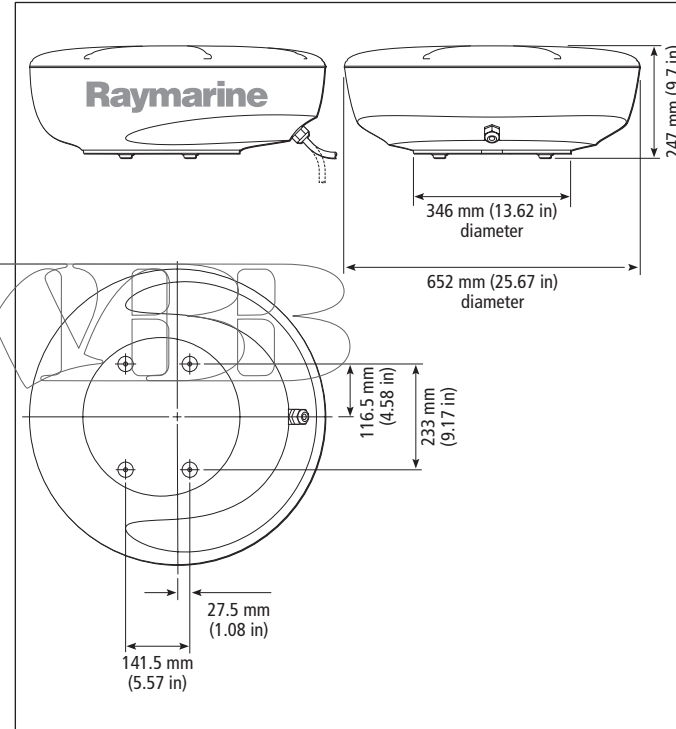
- 18" 2 kW Radome scanner and 15 m light cable, or
- 24" 4 kW Radome scanner and 15 m heavy cable.
- Fixing bolts and washers.
- Grease.
- Handbook.

### How big is the scanner?

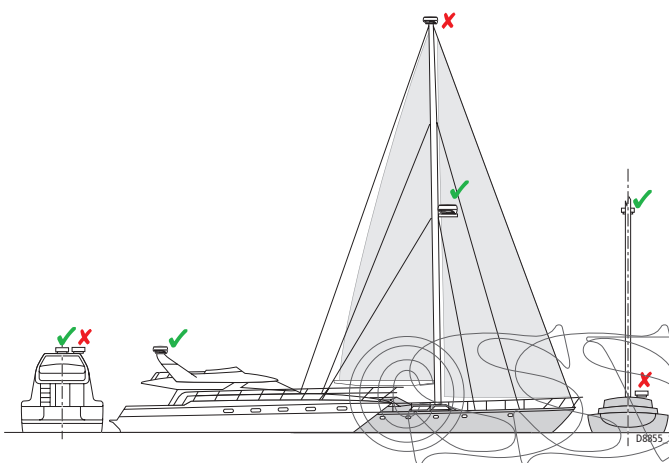
#### 18" Radome scanner



#### 24" Radome scanner



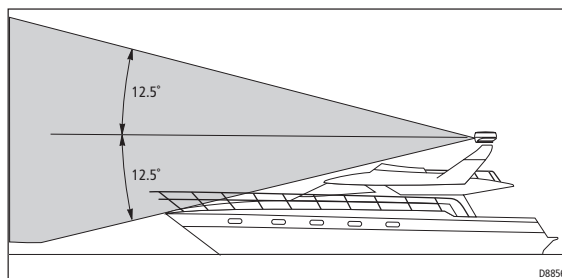
## Planning the installation



Mount the scanner as high as possible above the waterline for better long range performance, but make sure it:

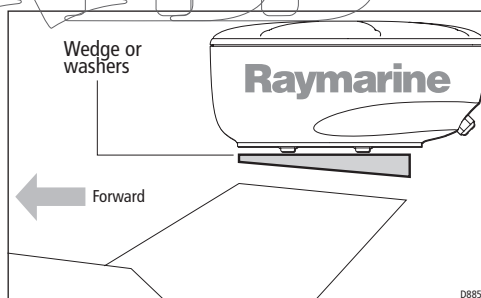
- is above head height.
- is easily accessible.
- is as near to the boat's centerline as possible.
- is on a rigid and stable platform.
- is clear of large objects such as the flybridge, large engine stacks, searchlights, horns or masts.
- is clear of heat and fumes.
- is at least 1 m away from a magnetic compass or other equipment antenna.

Don't put the scanner so high, that it is affected by the pitching and rolling of the boat.



Mount the scanner so that the array rotates parallel to the waterline.

The radar beam is approximately 25° wide in the vertical direction, giving good target detection when your boat pitches and rolls.



Planing hull and some displacement hull boats adopt a higher bow angle when the boat is at cruising speed., giving poor target detection. It may be necessary to lower the

radar beam back towards the parallel, by shimming the rear of the radar, so that the beam points slightly down when the boat is at rest.

## Cable requirements

You need to consider the following points before installing the system cables:

- You need to connect the scanner to the display unit and power. The cable required will depend on the display unit and scanner type.
- All cables should be adequately clamped and protected from physical damage and exposure to heat - avoid running cables through bilges or doorways, or close to moving or hot objects.
- Acute bends must be avoided.
- Where a cable passes through an exposed bulkhead or deckhead, a watertight gland or swan neck tube should be used.
- Avoid cutting and rejoining cables. If this cannot be avoided refer to Extending the power cable on page -11.

## Scanner cables

A radome scanner connected to a C or E-Series display receives power via the display unit.

### Running the cable to the scanner

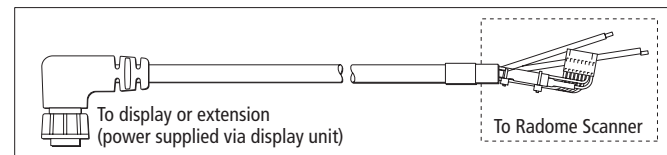
**DO NOT pull the cable through bulkheads using a cord attached to the connector. This could damage the connections.**

The cable entrance is at the rear of the scanner unit. If the unit is mounted on a hollow mast, the cable may be run inside the mast and fed through the unit's cable entrance. Make sure that the cable does not chafe where it enters and exits the mast.

To minimize electrical interference try to avoid running radar cables near other on board electrical equipment. It is also good practice to avoid running radar cables in parallel with power cables.

## Inter-unit cables

The inter-unit cable, illustrated below, is fitted with an 8-way plug and power cores (covered with a clear protective sleeve) for connecting to the scanner.



The length of the cable supplied should be sufficient to complete the cable run on most small boats. For longer runs, additional or replacement cables are available. These cables have four power cores to minimize voltage drops over the longer cable run.

Optional cable lengths available are:

- Part No. M92668 - 15 m heavy extension cable.
- Part No. M92669 - 25 m heavy replacement cable.

The maximum inter-unit cable length is limited by the minimum supply voltage, the scanner type (18" or 24 "radome), and the cable type (2 or 4 power cores).

For boats with 12 V DC power systems details of recommended cable(s) for different run lengths can be found in Extending the power cable on page -11.

Boats with 24 V DC power systems can use any combination of inter-unit cables.

## Power cables

Radome radar systems are intended for use on boat's DC power systems operating in the range 10.7 to 32 V DC. That is 12 V and 24 V systems, they should not be used on 32 V systems.

A 1.5 m (5ft) power cable is supplied with the display unit for connecting the boat's DC power to the radar scanner via the display unit. Refer to the relevant display unit handbook for details on connecting this cable.

## Extending the power cable

### 24 V power systems

If your boat has a 24 V power system, the power cable may be extended by up to 20 m using a wire gauge of 1.5 mm<sup>2</sup> (AWG 16) or greater, irrespective of the inter-unit cable length.

### 12 V power systems

If your boat has a 12 V power system, longer power cable runs may require larger wire gauges to minimize any voltage drop in the cable.

For full details on extending the power cable and maximum permissible lengths refer to Extending the power cable on page -11.

## Power requirements

**This radar is not recommended for use on 'positive' ground boats. The power cable earth screen must be connected to the boat's ground.**

The boat's power system should be either:

- Negative grounded, with the negative battery terminal connected to the boat's ground, or,
- Floating with neither battery terminal connected to the boat's ground.

Radome scanners receive power from the display via the inter-unit cable. The display power cable is supplied with the display unit and details for connecting power are detailed in the relevant Owner's handbook.

## Grounding the radar system

It is important that an effective radio frequency (RF) ground is connected to the radar system.

You must ground the radar by connecting the drain wire (screen) of the power cable to the nearest ground point of your boat's RF ground system. Full details can be found in the Owner's Handbook for your display unit.

If you need to extend the wire, the extension wire should be an 8 mm braid or 6 mm<sup>2</sup> (AWG 10) multi-strand cable.

If your boat does not have an RF system, connect the drain wire to the negative battery terminal.

## Extending the power cable

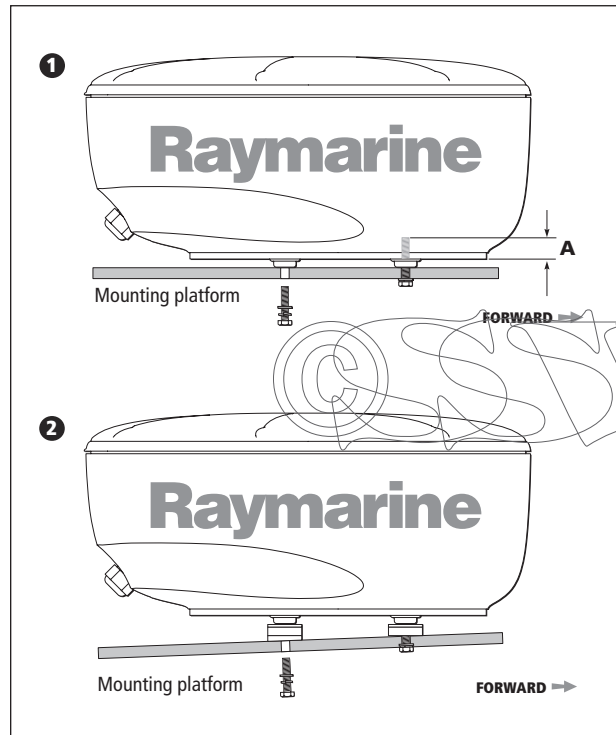
### 12 V systems - Maximum permissible length for extending a power cable (m)

Inter-unit cable type	Display type	Power cable core (each core)											
		1.5 16		2.0 15		2.5 14		4.0 11		6.0 10		10 7	
Radome size (ins)		18	24	18	24	18	24	18	24	18	24	18	24
10 m light	C-Series	(6.0)	N/A	(7.0)	N/A	(9.0)	N/A	18.0	N/A	24.0	N/A	47.0	N/A
	E-Series	(2.0)	N/A	(3.0)	N/A	(3.0)	N/A	7.0	N/A	9.0	N/A	18.0	N/A
10 m light + 5 m ext	C-Series	(4.0)	N/A	(5.0)	N/A	(6.0)	N/A	12.0	N/A	16.0	N/A	31.0	N/A
	E-Series	(2.0)	N/A	(2.0)	N/A	(3.0)	N/A	6.0	N/A	8.0	N/A	16.0	N/A
10 m light + 10 m ext	C-Series	(1.0)	N/A	(2.0)	N/A	(2.0)	N/A	5.0	N/A	6.0	N/A	13.0	N/A
	E-Series	DO NOT EXTEND THE POWER CABLE											
15 m light	C-Series	(3.0)	N/A	(3.0)	N/A	(4.0)	N/A	9.0	N/A	11.0	N/A	23.0	N/A
	E-Series	(1.0)	N/A	(2.0)	N/A	(2.0)	N/A	5.0	N/A	6.0	N/A	13.0	N/A
15 m heavy	C-Series	(6.0)	(4.0)	(8.0)	(6.0)	(11.0)	(7.0)	21.0	14.0	27.0	19.0	50.0	37.0
	E-Series	(2.0)	(1.0)	(3.0)	(2.0)	(4.0)	(2.0)	8.0	5.0	10.0	7.0	20.0	14.0

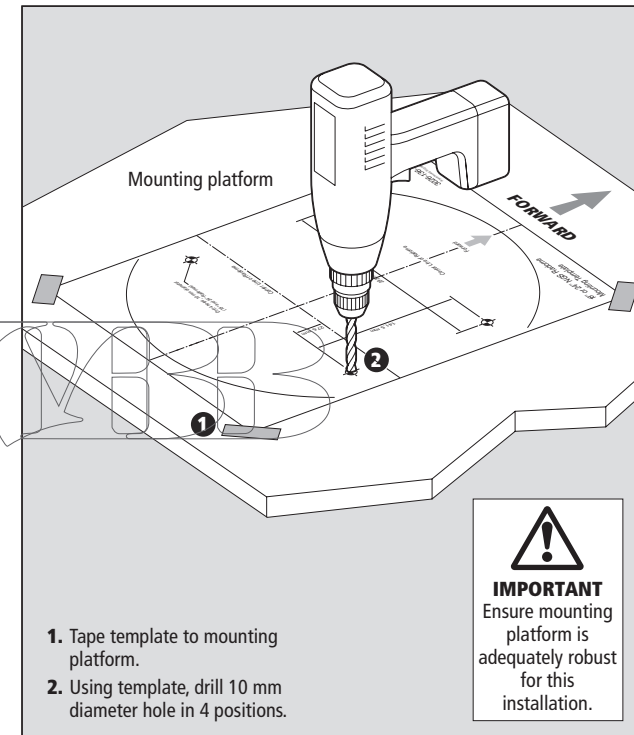
Inter-unit cable type	Display type	Power cable core (each core)											
15 m heavy +5 m ext	C-Series	(6.0)	(4.0)	(8.0)	(5.0)	(10.0)	(6.0)	20.0	13.0	26.0	17.0	50.0	34.0
	E-Series	(2.0)	(1.0)	(3.0)	(2.0)	(4.0)	(2.0)	7.0	5.0	10.0	6.0	20.0	13.0
15 m heavy +10 m ext	C-Series	N/A	(3.0)	N/A	(4.0)	N/A	(5.0)	N/A	11.0	N/A	14.0	N/A	28.0
	E-Series	N/A	(1.0)	N/A	(1.0)	N/A	(2.0)	N/A	4.0	N/A	6.0	N/A	12.0
25 m heavy	C-Series	(6.0)	(3.0)	(8.0)	(4.0)	(10.0)	(6.0)	20.0	11.0	25.0	15.0	50.0	29.0
	E-Series	(2.0)	(1.0)	(3.0)	(1.0)	(3.0)	(2.0)	7.0	4.0	10.0	6.0	19.0	12.0
25 m heavy +5 m ext	C-Series	(6.0)	(2.0)	(7.0)	(3.0)	(9.0)	(3.0)	19.0	7.0	24.0	9.0	48.0	19.0
	E-Series	(2.0)	(1.0)	(3.0)	(1.0)	(3.0)	(2.0)	7.0	4.0	9.0	5.0	18.0	10.0
25 m heavy +10 m ext	C-Series	(5.0)	(1.0)	(7.0)	(1.0)	(9.0)	(1.0)	17.0	3.0	22.0	4.0	44.0	9.0
	E-Series	(2.0)	DO NOT EXTEND	(2.0)	DO NOT EXTEND	(3.0)	DO NOT EXTEND	7.0	DO NOT EXTEND	9.0	DO NOT EXTEND	17.0	DO NOT EXTEND



## Mounting options

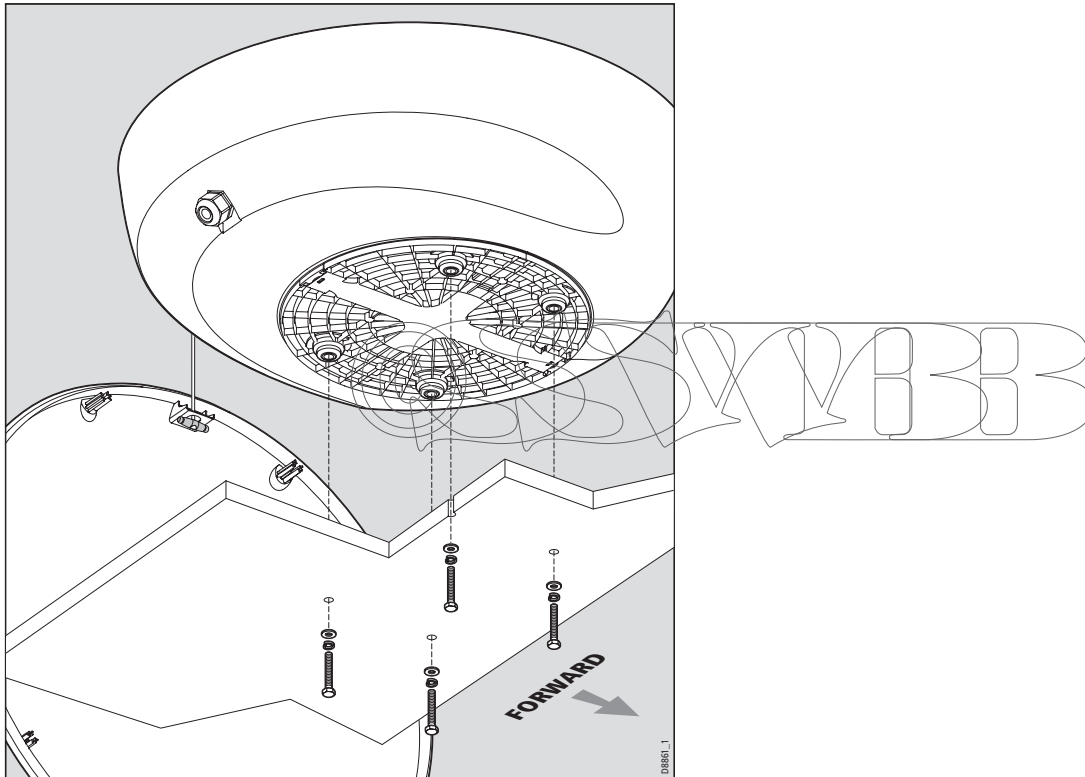


## Preparing the mounting holes

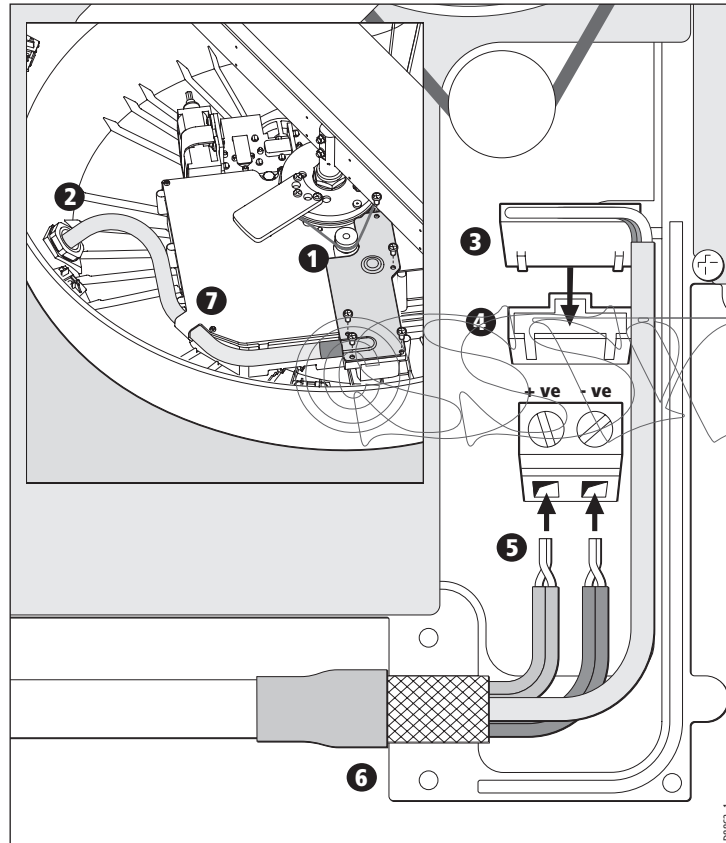


1. Tape template to mounting platform.
2. Using template, drill 10 mm diameter hole in 4 positions.

### Securing the scanner to the mounting platform



## Connecting the inter-unit cable to the scanner



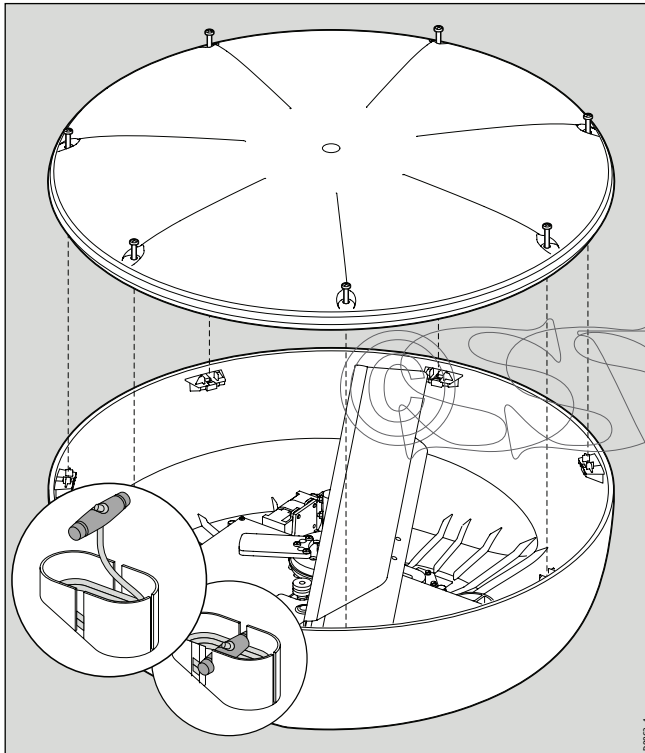
### CAUTION: Connections

Before starting to connect the inter-unit cable make sure that the cable is not connected and power is not applied to the display unit.

### With the radome cover removed:

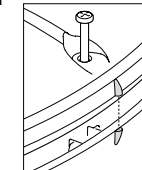
1. Remove the inner cover (1).
2. Slide the gland nut and grommet onto the inter-unit cable (2), and insert the cable, still covered by its protective sleeve, through the gland.
3. Carefully cut and remove the protective sleeve to expose the 8-way plug (3) and the power cores (5).
4. Connect the red (+ve) and black (-ve) power cores (5). If you have a 10m light or 15m inter-unit cable, connect both pairs of cores to the relevant terminals.
5. Connect the 8-way plug (3) to the connector (4). The plug will only fit one way.
6. Replace the inner cover (1), making sure that the exposed wire braid (6) is secured in the cable clamp of the casting.
7. Clip the inter-unit cable into the strain relief (7).
8. Secure the nut on the watertight gland, making sure that it grips the outer sheath of the cable.
9. Replace the radome cover - See "Completing the installation" on page 16..

## Completing the installation

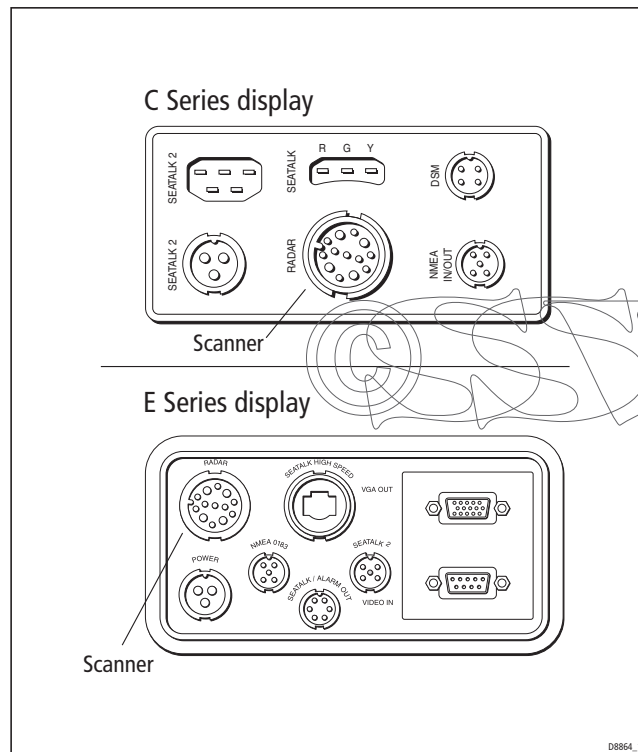


**CAUTION: Toggle and cord**  
**Make sure the toggle and cord is correctly stowed before replacing the radome cover. Failure to do so will result in the antenna being unable to operate.**

1. Holding the cover securely, remove the cord and toggle from the retaining hole.
2. Coil and place the cord in the storage compartment. Secure in place by fixing the toggle on top of the cord (see inset).
3. Place cover onto the base unit ensuring the markers are aligned - see right.
4. Tighten the captive screws just sufficiently to secure. **DO NOT OVERTIGHTEN.**
5. Ensure nut is tightened sufficiently to enable gland to make a watertight seal around the cable



## Display connections



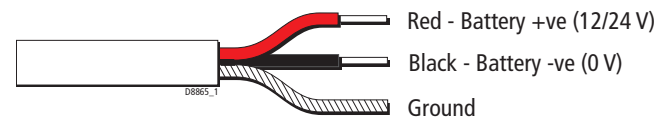
The inter-unit cable is connected to the display unit with the molded plug; the illustration on the left identifies the scanner connection on the rear connector panels of the various display units.

If you are using an inter-unit extension cable, connect this to the display unit, and connect the supplied cable to the extension cable.

### Power connections

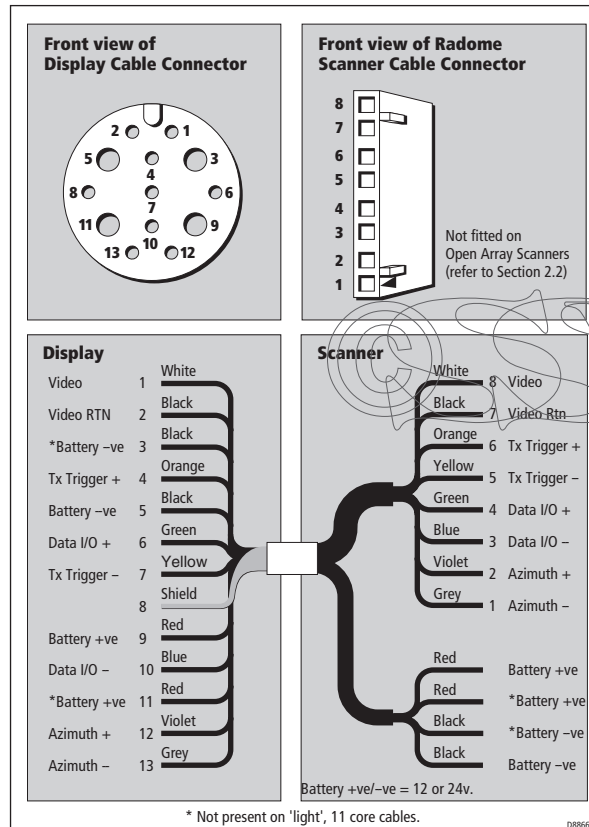
Power for your radome scanner when it is connected to a C or E-Series display is supplied via the display unit - refer to the relevant display unit Owner's Handbook for full details.

You will need to make the following connections to your boat's DC power supply:



## Inter-unit cable connections

The illustration below details the connections for the inter-unit cable:



## Scanner setup

### Before you go to sea

After you have installed your radar, and before you go to sea, it is important to check the installation. You can then set up the radar system, align the scanner and check the system timing.

Set up, alignment and timing checks are performed from the radar system display unit. The procedures are outlined on this page; full details are available in the relevant display unit Owner's Handbook. You should read this and familiarize yourself with the operation of the radar.

### EMC conformance

Always check the installation before going to sea to make sure that it is not affected by radio transmissions, engine starting, etc.

## System checks

### System check

Before performing any functional tests, make sure:

- All securing bolts are fully tightened and mechanical locking devices as specified are in place.
- All connections have been made.
- All connecting wires are secured and protected as necessary.

If you have installed the radar yourself, ask your local Raymarine authorized installation dealer to check the installation.

---

## Set up, alignment and timing checks

### Switch on and initial set up

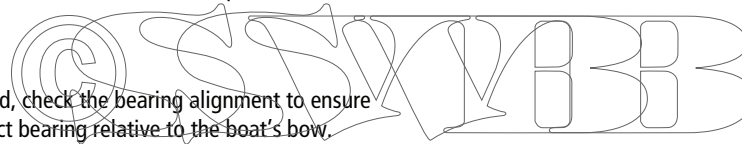
1. Press and hold the POWER key of the display unit until the unit beeps.  
The magnetron warm-up sequence should start, after which the unit should enter standby mode.
2. If necessary, adjust the lighting and contrast.
3. If necessary, change the default language settings.

### Transmission check

Ensure that all personnel are clear of the scanner and switch to transmit mode. Run through the radar operations as described in the relevant display unit's Owner's Handbook and check that all the expected data is displayed.

### Bearing alignment

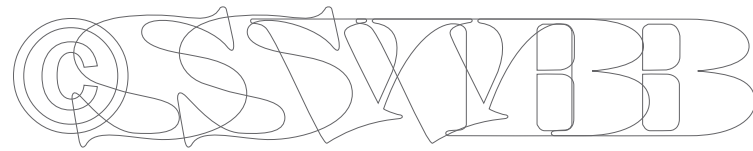
With the system correctly installed, check the bearing alignment to ensure that targets appear at their correct bearing relative to the boat's bow. Adjust the alignment as necessary.



### Display timing adjustment

The display timing can be affected by the length of cable used to connect the scanner to the display unit. This in turn affects the short range accuracy shown on the display.

It is advisable to check the display timing before using the system for navigation.





## Maintenance and troubleshooting

### CAUTION: System power

**Always turn the radar system OFF before carrying out any routine maintenance on the scanner or nearby equipment. Switch off the display unit before removing the power cord.**

### Introduction

**DO NOT** remove the rear cover of the display or the internal covers in the scanner. There are no user serviceable parts or adjustments. **DO NOT** attempt to service the equipment.

### Maintenance

Maintenance is limited to the following periodical checks:

- Examine the cables for signs of damage, such as chafing, nicks and cuts.
- Check that the cable connectors are firmly attached.
- Remove the scanner cover and check for signs of water damage.
- Make sure the scanner is still securely attached to the mounting surface.
- Once a year, remove, grease and re-attach the mounting bolts securing the scanner.

### Troubleshooting

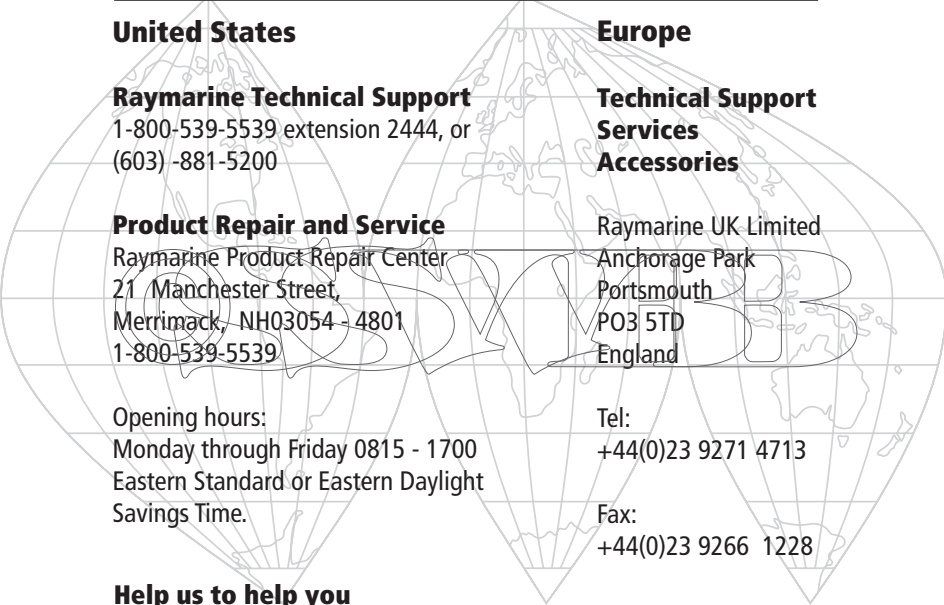
The table below identifies the most likely cause and the corrective action required to restore normal operation.

Problem	Solution
"Scanner not responding" message	<ol style="list-style-type: none"> <li>1. Check that the cable connecting the scanner to the radar display unit is firmly attached and undamaged.</li> <li>2. Check that the polarity of the cables is correct.</li> </ol>
The bearing displayed on the radar display is not the same as the actual bearing.	Perform the bearing alignment procedure described in the relevant display unit Owner's handbook.

If you still have a problem after referring to this table, contact your local dealer, national distributor or Raymarine Product Support Department for further advice.

Always quote the product serial number. The display unit serial number can be found on the back of the unit, the scanner serial number can be found on the back of the scanner near the gland.

## Technical support



**www.raymarine.com**

---

<b>United States</b>	<b>Europe</b>
<b>Raymarine Technical Support</b> 1-800-539-5539 extension 2444, or (603) -881-5200	<b>Technical Support Services Accessories</b>
<b>Product Repair and Service</b> Raymarine Product Repair Center 21 Manchester Street, Merrimack, NH03054 - 4801 1-800-539-5539	Raymarine UK Limited Anchorage Park Portsmouth PO3 5TD England
Opening hours: Monday through Friday 0815 - 1700 Eastern Standard or Eastern Daylight Savings Time.	Tel: +44(0)23 9271 4713  Fax: +44(0)23 9266 1228

**Help us to help you**  
When requesting service, please quote the following product information:  
Equipment type ● Model number ● Serial number

D8867\_1

## Appendix A: Technical specification

### RD218 18" Radome scanner unit

#### General

Approvals	
CE - conforms to	1999/5/EC
FCC - conforms to	47CFR Part 2 and Part 80
Dimensions	Φ521 x 247 mm (20.5 x 9.7 in)
Weight	9.5 kg (21 lbs)
Input Voltage	8.7 - 32 V DC (from display unit)
Power Consumption	28 W (9 W Standby)
Environmental	Waterproof to CFR46 Temperature range: -10° to +55°C Humidity limit: up to 95% at 35°C Maximum wind speed for satisfactory operation: 100 Kts
Maximum Range Scale	24 nm

#### Transmitter

Transmitter Frequency	9410 +/- 30 MHz	
Peak Power Output	2.0 kW (nominal)	
Transmitter	Solid-state modulator driving Magnetron	
Pulse Length/PRF		
Range (nm)	Pulse Length (ns)	PRF (kHz)
0.25 or less	75	3.0
0.50	100	3.0
0.75	150	3.0
0.75 expanded	250	2.5
1.50	350	1.8
3.00	450	1.4
3.00 expanded	600	1.0
6.00 or greater	1.0 μs	740 Hz
Standby Mode	magnetron heater and control left on, all other services off	
Duplexer	Circulator	

---

**Antenna**

---

Antenna Type	Patch array
Beam Width (nominal)	5.1° horizontal, 25° vertical
Polarization	Horizontal
Rotation Rate	24 rpm (nominal)

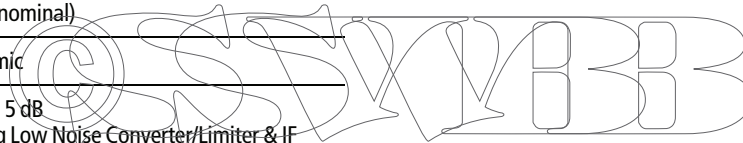
---

**Receiver**

---

IF Frequency	60 MHz (nominal)
Receiver Characteristic	Logarithmic
Receiver Noise Figure	Less than 5 dB (including Low Noise Converter/Limiter & IF Receiver)
Receiver Bandwidth	12/3/0.7/0.5 MHz

---



## RD424 24" Radome scanner unit

### General

Approvals	1999/5/EC 47CFR Part 2 and Part 80
Dimensions	Φ652 x 247 mm (25.67 x 9.7 in)
Weight	10.0 kg (22 lbs)
Input Voltage	8.7 - 32 V DC (from display unit)
Power Consumption	34 W (10 W Standby)
Environmental	Waterproof to CFR46 Temperature range: -10° to +55°C Humidity limit: up to 95% at 35°C Maximum wind speed for satisfactory operation: 100 Kts
Maximum Range Scale	48 nm

### Transmitter

Transmitter Frequency	9410 +/- 30 MHz
Peak Power Output	4.0 kW (nominal)
Transmitter	Solid-state modulator driving Magnetron

### Transmitter

#### Pulse Length/PRF

Range (nm)	Pulse Length (ns)	PRF (Hz)
0.25 or less	75	3.0
0.50	100	3.0
0.75	150	3.0
0.75 expanded	250	3.0
1.50	350	2.0
3.00	450	1.5
3.00 expanded	600	1.3
6.00 or greater	1.0 μs	740 Hz

Standby Mode	Magnetron heater and control left on, all other services off
--------------	--

Duplexer	Circulator
----------	------------

### Antenna

Antenna Type	Patch array
Beam Width (nominal)	4.5° horizontal, 25° vertical

---

**Antenna**

---

Polarization	Horizontal
Rotation Rate	24 rpm (nominal)

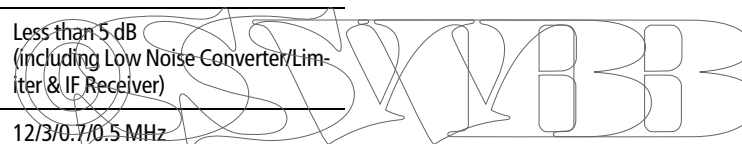
---

**Receiver**

---

IF Frequency	60 MHz (nominal)
Receiver Characteristic	Logarithmic
Receiver Noise Figure	Less than 5 dB (including Low Noise Converter/Limiter & IF Receiver)
Receiver Bandwidth	12/3/0.7/0.5 MHz

---



## Raymarine World Wide Warranty

### Raymarine Inc.

APPLICABLE TO PRODUCTS SOLD THROUGH OFFICIAL RAYMARINE INC. DEALERS, DISTRIBUTORS AND BOAT BUILDERS WITHIN THE AMERICAS AND CARIBBEAN.

### Limited warranty

Subject to the terms, conditions and limitations set forth in this U.S. Limited Warranty (hereinafter the 'Warranty'), Raymarine warrants that its products, when properly installed and used, will be free from defects in material and workmanship for a period of twenty-four (24) months (with respect to VHF radios, a period of thirty-six (36) months), from the date of first purchase (the 'Warranty Period').

For the purposes of this warranty, 'date of first purchase' means the date that the product was purchased by the first retail customer, or in the case of a product installed on a new vessel by a certified Raymarine original equipment manufacturer (a 'Raymarine OEM'), the date that such vessel was purchased by the first retail customer.

Raymarine will, at its sole option, repair or replace any defective products or components returned during the Warranty Period in accordance with the terms, conditions and limitations set forth below. **Such repairs or replacement will be the sole remedy of the customer under this Warranty.**

### Obtaining Warranty Service

#### Standard Warranty Service

To qualify for standard warranty service the product must be returned to a Raymarine-certified service agent, or directly to Raymarine in person, or by mail (i) within the Warranty Period, and (l) within thirty (30) days of the alleged product failure. Any products returned by mail must be securely packaged and sent pre-paid and insured to Raymarine or to a Raymarine-certified service agent. All products, whether returned in person or by mail, must be accompanied by a copy of the original sales receipt, to be eligible for standard warranty service.

A list of Raymarine-certified service agents is available from Raymarine Technical Support or at [www.raymarine.com](http://www.raymarine.com)

#### 'On Board' Warranty Service

For any Raymarine product or system that (i) has been installed on your vessel by a Raymarine-certified service agent or by a Raymarine OEM, and (ii) has a MSRP equal to or greater than USD \$2,500, you are eligible to receive warranty service by a Raymarine certified service agent on-board your vessel ('On Board Warranty Service') for a period of 12 months from the date of first purchase of such product or system, or the date of first purchase of the vessel on which such product or system has been installed (the 'On Board Warranty Period'). In order to obtain On Board Warranty Service eligible customers

#### MUST:

- (i) within the On Board Warranty Period, and (ii) within thirty (30) days from the date of the alleged failure giving rise to the warranty claim for which you are requesting On Board Warranty Service, contact a local Raymarine-certified service agent and request On Board Warranty Service.
- Present to the Raymarine-certified service agent a copy of the original sales receipt for the product, together with proof of the date of installation of the product by a Raymarine-certified service agent. The service agent may at its sole option, accept or deny such proof of purchase and proof of installation as sufficient to qualify you for On Board Warranty Service.

Costs associated with travel, mileage, taxi fares, launch or docking fees, aircraft or vehicle rental, meals, customs, shipping, communication charges, and service agent travel costs are specifically excluded from coverage under this Warranty and are your responsibility.

**In addition**, this Warranty does not cover fees associated with hauling, shipping or towing your vessel to a Raymarine-certified agent.

Upon the expiration of the On Board Warranty Period, you are still eligible to receive standard warranty service for the remaining term of the Warranty Period, but will not be eligible for continued On Board Warranty Service.

### Limitations and Exclusions

In addition to any other limitations and exclusions set forth herein, Raymarine is not responsible for, and this Warranty does not cover:

- failures due to abuse, misuse, accident, unauthorized alteration or repair, improper installation (whether or not by a Raymarine-certified service agent), shipping damage or corrosion;
- Costs associated with routine system checkouts, alignment/calibration, seatrials or commissioning;
- repair or replacement of consumable items, including, without limitation, fuses, batteries, drive belts, radar mixer diodes, snap-in impeller carriers, impellers, impeller bearings and impeller shafts;
- costs associated with overtime or premium labor costs;
- differences in material, coloring or size that may exist between actual products and the pictures or descriptions of such products in our advertising, advertising literature or on the Internet;
- products purchased by a customer from a United States dealer via the internet if such products were not delivered and installed within the United States; or
- the replacement of missing components from the package of any product purchased through an online auction site.

THE LIABILITY OF RAYMARINE TO A CUSTOMER UNDER THIS WARRANTY, WHETHER FOR BREACH OF CONTRACT, TORT, BREACH OF STATUTORY DUTY OR OTHERWISE SHALL IN NO EVENT EXCEED AN AMOUNT EQUAL TO TEN (10) TIMES THE MANUFACTURER'S SUGGESTED RETAIL PRICE OF THE PRODUCT GIVING RISE TO SUCH LIABILITY AND IN NO EVENT SHALL RAYMARINE BE LIABLE FOR SPECIAL, INCIDENTAL, CONSEQUENTIAL OR INDIRECT DAMAGES.

SOME JURISDICTIONS DO NOT ALLOW EXCLUSION OR LIMITATION OF INCIDENTAL OR CONSEQUENTIAL DAMAGES SO THE ABOVE LIMITATIONS OR EXCLUSIONS MAY NOT APPLY TO YOU. THIS WARRANTY GIVES YOU SPECIFIC LEGAL RIGHTS AND YOU MAY ALSO HAVE OTHER RIGHTS, WHICH VARY FROM JURISDICTION TO JURISDICTION.

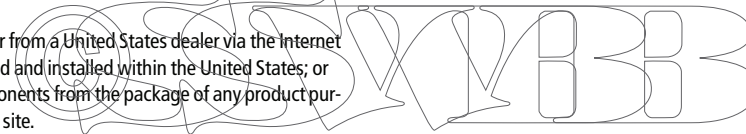
This Warranty supersedes and replaces all previous Warranties.

January 2005

### Other conditions

This Warranty is fully transferable provided that you furnish the original proof of purchase to Raymarine or, in the case of On Board Warranty Service, to a Raymarine-certified service agent. This Warranty is void if the label bearing the serial number has been removed or defaced.

**TO THE EXTENT CONSISTENT WITH STATE AND FEDERAL LAW, THE FOREGOING WARRANTY IS RAYMARINE'S SOLE WARRANTY AND IS APPLICABLE ONLY TO NEW PRODUCTS PURCHASED IN THE UNITED STATES OF AMERICA.** THE PROVISIONS OF THIS WARRANTY ARE IN LIEU OF ANY OTHER WRITTEN WARRANTY, WHETHER EXPRESSED OR IMPLIED, WRITTEN OR ORAL, INCLUDING ANY WARRANTY OF MERCHANTABILITY OR FITNESS FOR A PARTICULAR PURPOSE.





## Raymarine UK Ltd.

APPLICABLE TO PRODUCT SOLD THROUGH OFFICIAL RAYMARINE UK LTD. DEALERS, DISTRIBUTORS AND BOAT BUILDERS WITHIN EUROPE, THE MIDDLE AND FAR EAST, AFRICA AND AUSTRALASIA.

### Limited Warranty

The Raymarine warranty terms and conditions as described below do not affect the customers legal rights and complies with EU Directive 1999/44/EC.

In order to ensure that the product continues to operate efficiently and reliably, we recommend that, before using the product, the customer carefully reads the Owner's Handbook and follows the advice on the safe and correct operation and use of the product. We recommend that the Raymarine product is installed by a Raymarine certified installer. Installation by persons other than a Raymarine certified installer may invalidate the warranty.

### 1. Product warranty

1.1 Raymarine warrants each new product to be of good materials and workmanship. Raymarine, or its approved agents, will repair or exchange under warranty any parts or product proven to be defective in material or workmanship under normal use, for a period of 2 years (24 months) from date of sale to end user, subject to the limits contained in this warranty document.

1.2 The Raymarine warranty covers the parts and labour associated with any warranty repair as described above, provided that the product is returned to Raymarine or one of its approved agents.

1.3 Raymarine reserve the right to replace under warranty, not repair, certain Raymarine products subject to the limitations below, provided that they are returned to the nearest Raymarine National Distributor. For details of such products refer to the internet at [www.raymarine.com](http://www.raymarine.com) or contact your nearest Raymarine National Distributor.

### 2. Onboard warranty

2.1 In addition to the Product warranty cover as described above, Raymarine will, authorize onboard warranty service by the nearest Raymarine approved service agent,

subject to the maximum mileage and other limits referred to in paragraph 4.12 below, on products, where proof of installation, or commission by Raymarine certified installers, can be shown.

2.2 The warranty provides for onboard repair or exchange of the product, by Raymarine or its approved service agents, for a period of 2 years (24 months), subject to the limits contained in this warranty document. In the case of a product installed, by a Raymarine certified OEM installer, on a new boat prior to the sale of the boat to a customer, the 2-year period will begin on the date of the sale of the boat to the customer. In the case of a product installed, by a Raymarine certified installer, on a boat already in the possession of the customer, the 2-year period will begin on the date of the commissioning of the installed product.

2.3 Certain Raymarine products are not covered by onboard warranty unless the products are pre-registered and on board warranty is purchased from the Raymarine certified installer. For details of such products refer to the internet at [www.raymarine.com](http://www.raymarine.com) or contact your nearest Raymarine National Distributor.

2.4 The Purchaseable onboard warranty is subject to the limitations below.

### 3. Obtaining warranty service

3.1 In the event of warranty service being required, the customer should contact Raymarine Technical Support or the nearest Raymarine approved service agent - the contact details of Raymarine Technical Support and a full list of the names and details of worldwide service agents are available on the internet at [www.raymarine.com](http://www.raymarine.com) and in the Owner's Handbook.

3.2 In cases where the customer is requesting a warranty service and a Raymarine certified installer has not installed the product; i.e. Product warranty, the affected product must be returned to the customer's local Raymarine approved service agent or direct to Raymarine with:

3.2.1 proof of purchase showing the date of purchase and the name of the supplier of the product; and

3.2.2 the serial number of the affected product; or

3.2.3 a warranty card completed by the product supplier (which will contain the information required by paragraphs 3.2.1 and 3.2.2).

Subject to the limitations below, the product will be repaired or replaced (at the discretion of Raymarine or a Raymarine Service Agent) at no further cost and promptly returned to the customer.

3.3 In cases where the customer is making a warranty claim and the product has been installed by a Raymarine certified installer, (boat builder, installer, dealer etc.) i.e. Onboard warranty, the nearest Raymarine approved service agent should be contacted and onboard service requested (which will be subject to the limits referred to in paragraph 4.12 below). Before the onboard warranty service is performed, the customer must have available:

- 3.3.1 proof of purchase showing the date of purchase and the name of the supplier of the product; and
- 3.3.2 the serial number of the affected product; or
- 3.3.3 proof of installation of the product by a Raymarine certified installer; or
- 3.3.4 a warranty card completed by the product supplier (which will contain the information required by paragraphs 3.3.1 and 3.3.3).

3.4 In cases where onboard warranty has been purchased - as described in 2.3; the nearest Raymarine approved service agent should be contacted and onboard service requested, information detailed in 3.3.1 and 3.3.2 is required. Onboard warranty service will only be performed if the product serial number confirms that the onboard warranty service has been purchased and is valid.

#### **4. Warranty limitations**

4.1 Raymarine warranty policy does not apply to any product that has been subjected to accident, abuse or misuse, shipping damage, alterations, corrosion, incorrect and/or non-authorized service, or products on which the serial number has been altered, mutilated or removed.

4.2 Certain products do not carry the onboard warranty, as described in section 2 above, unless the onboard warranty cover is purchased at the time of installation. The purchaseable onboard warranty is only available on products purchased in specific territories, for further details refer to the internet at [www.raymarine.com](http://www.raymarine.com) or contact your nearest Raymarine National Distributor.

4.3 Products purchased outside the country of installation will not be covered by onboard warranty.

4.4 Raymarine assumes no responsibility for damage incurred during installation or as a result of improper installation.

4.5 This warranty does not cover routine system checkouts, alignment/calibration, seatrials or commissioning, unless required by replacement of part(s) in the area being aligned.

4.6 Raymarine assumes no responsibility for damage caused by or to other equipment, systems or components occasioned by improper or unauthorized connection, or use, of the product.

4.7 Consumable items, including, but not limited to: fuses, batteries, drive belts, radar mixer diodes, snap-in impeller carriers, impellers, impeller bearings, and impeller shafts are specifically excluded from this warranty. A complete list of the consumable items relating to each product can be found in the Owner's Handbook and/or on the internet at [www.raymarine.com](http://www.raymarine.com).

4.8 All costs associated with transducer replacement, other than the cost of the transducer itself, are specifically excluded from this warranty.

4.9 Overtime/premium labour portion of services outside of normal working hours is not covered by this warranty.

4.10 If repairs are necessary under the warranty, the affected product must be forwarded to a Raymarine facility or a Raymarine approved service agent, at the owner's expense.

4.11 The Raymarine warranty does not cover any differences in material, coloring or size between those alluded to in corporate advertising, literature or published on the internet, which are not specifically objected to at the time of delivery.

4.12 Travel costs other than auto mileage, tolls and two (2) hours travel time, are specifically excluded from the warranty on all products. Costs, which are excluded from the coverage of this warranty, include but are not limited to; taxi fares, launch fees, aircraft rental, subsistence, customs, shipping, and communications charges etc.

4.13 Neither Raymarine nor a Raymarine service agent shall be liable for any incidental, indirect, consequential or special (including punitive or multiple) damages, nor shall

Raymarine or a Raymarine service agent be liable for any loss of profit, business, contracts, opportunity, goodwill or other similar loss. The liability of Raymarine or a Raymarine service agent to a customer under this warranty, whether for breach of contract, tort, breach of statutory duty or otherwise, shall not exceed US\$1,000,000. Nothing in this paragraph 4.13 shall limit the liability of Raymarine or a Raymarine service agent in respect of death or personal injury caused by its negligence, fraud or any other liability which by law, cannot be excluded or limited.

4.14 All Raymarine products sold or provided hereunder are merely aids to navigation. It is the responsibility of the user to exercise discretion and proper navigational skill independent of any Raymarine product.

Document Number 80009\_1

January 2005

