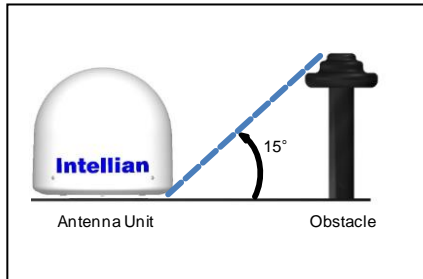


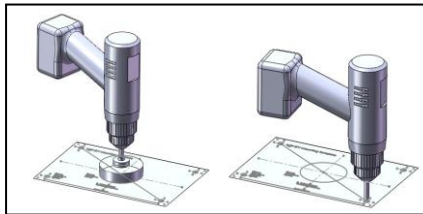
# Intellian i2 Quick Installation Guide

## 1. Select a location for the antenna.



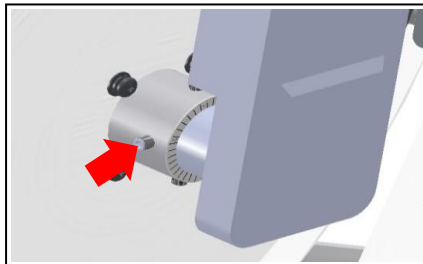
- Make sure nearby objects do not block the antenna.
- Avoid unnecessary motion by locating the antenna as near as to the centerline of the boat.

## 2. Prepare the mount



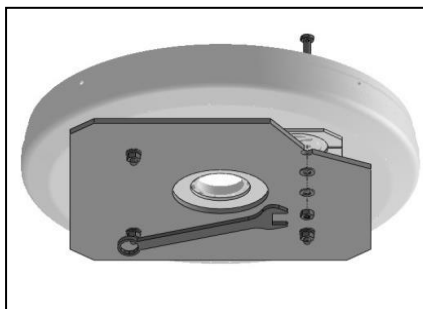
- Attach the installation template to the mounting surface using adhesive tape.
- Remove the shaded center portion by using a hole saw.
- Drill 4 bolt holes.

## 3. Prepare the Antenna



- Open the antenna upper dome and remove the foam transit restraints from the antenna base.
- Adjust the LNB Skew Angle (Linear Polarization Only). *USA/Japan/Korea is not required to adjust.*
  - ◆ Loosen screws of the connection of LNB and feed horn.
  - ◆ Tighten screws after adjusting the LNB position.

## 4. Secure the Antenna



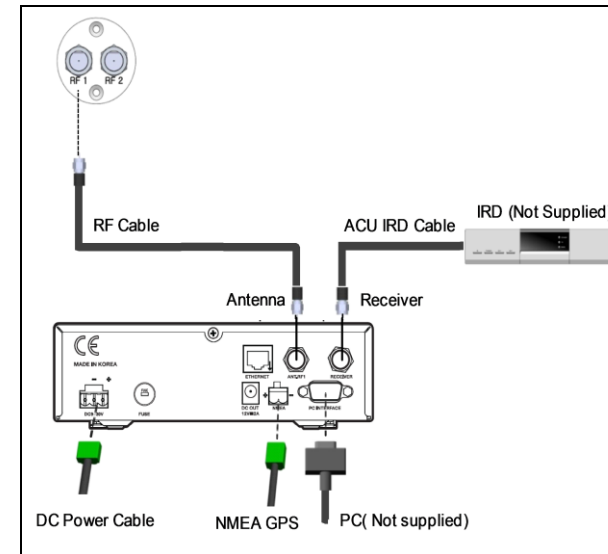
- Secure the antenna to the mount base using bolts, spring washers, and flat washers.



### WARNING

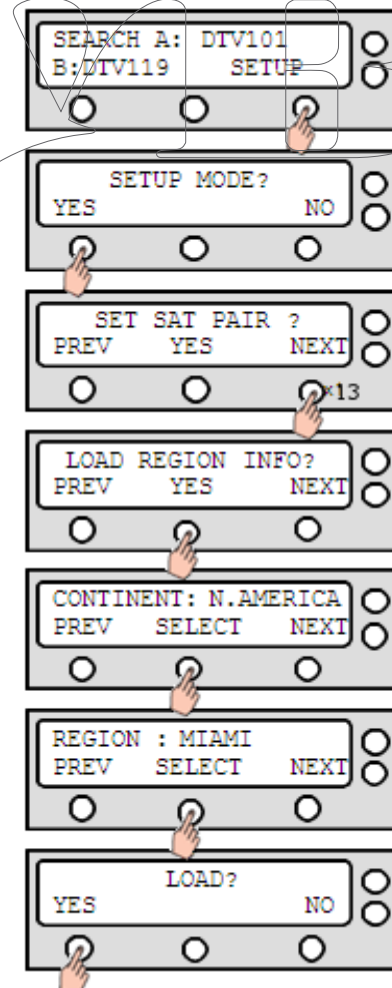
Be sure to put the radome on while operating the system. The system functions will be abnormal if the radome is off.

## 5. Connect the System Cables



- Connect the RF Cable from the RF 1 connector on the antenna to the ANT. RF1 connector on the rear of ACU.
- Connect the ACU IRD Cable from the RECEIVER connector on the rear of the ACU to RF on the IRD.
- Connect the power cable from the DC power connector on the rear of ACU to a power source of DC (10.8-15.6V).

## 6. Set Region (Nation/City) in ACU



- Turn on the ACU power and you will see USA DTV101 and DTV 119 as the default.



### WARNING

The system functions will be abnormal if you do not set a correct continent and region.

- Please select your region (Nation/City) after selecting the continent. Once the SET REGION has been done, you will not need to adjust GPS and the target tracking satellites. The setting steps as below.
  - ◆ Enter SETUP MODE and Press NEXT 13 times to enter LOAD REGION INFO menu.
  - ◆ Select CONTINENT and Press NEXT to select alternative continents.
  - ◆ Select REGION and Press NEXT to select alternative Nation/City.
  - ◆ Press YES to load the region setting.