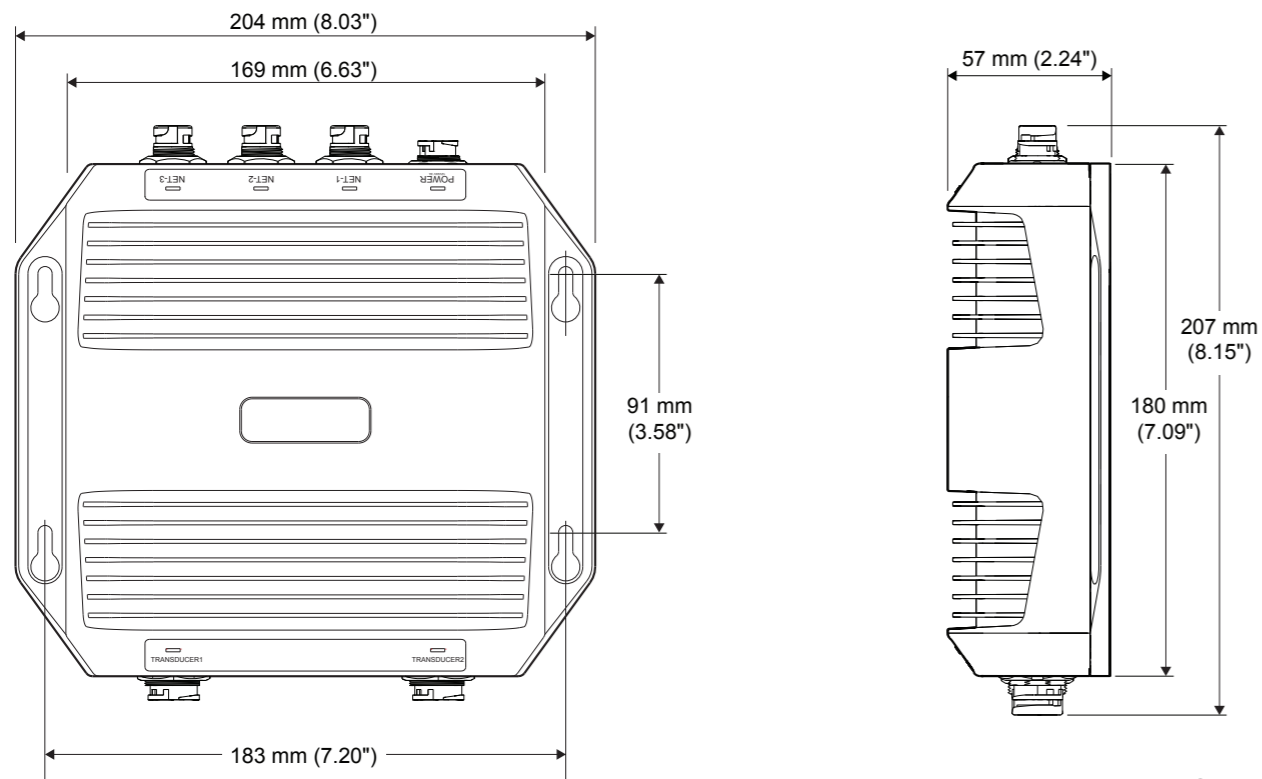


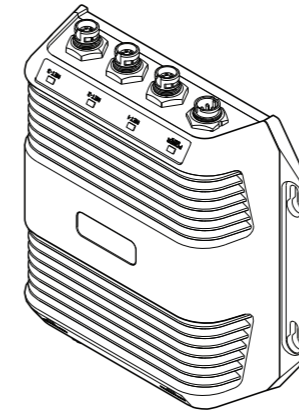
Dimensions



LOWRANCE

SIMRAD

StructureScan® 3D Installation Guide



For technical specifications and declarations, refer to the product website on:



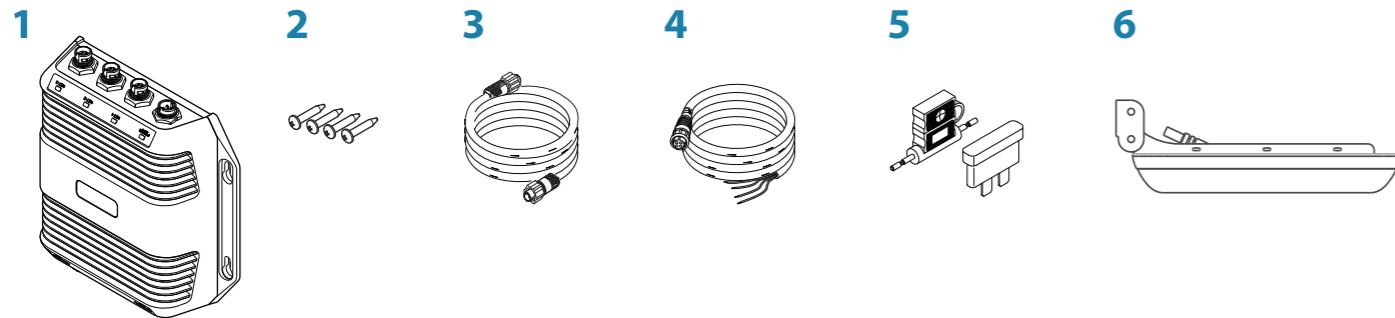
lowrance.com



simrad-yachting.com

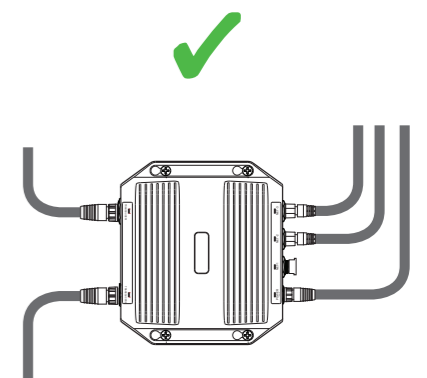
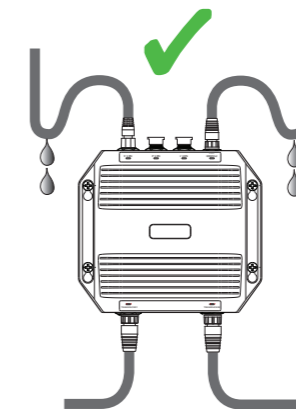
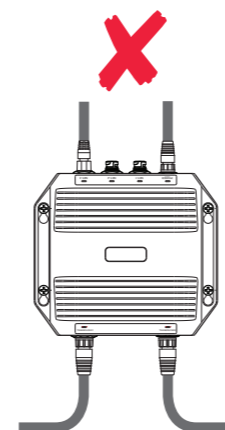
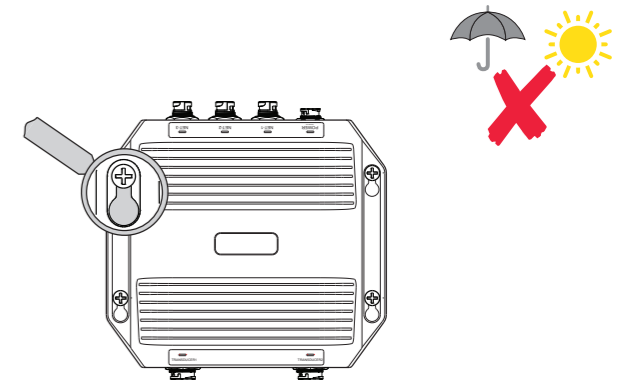
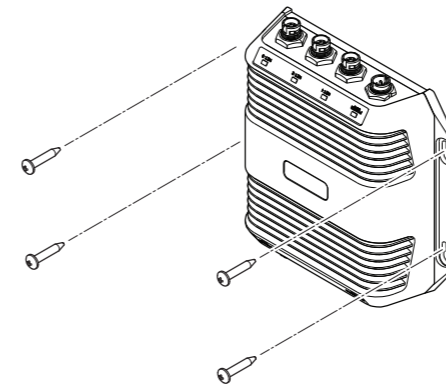


Parts included



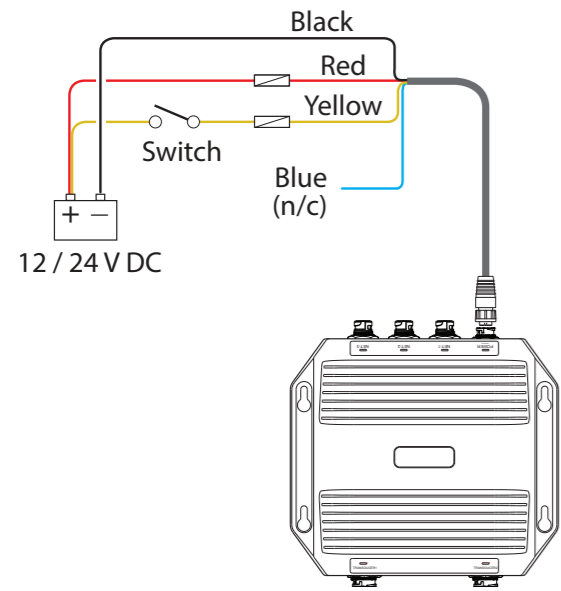
	DESCRIPTION
1	StructureScan® 3D module
2	Installation screws
3	Ethernet cable, 4 m (15 ft)
4	Power cable, 2 m (6.6 ft)
5	Fuse and Fuse holder
6	StructureScan® 3D Transducer (Optional)

Mounting

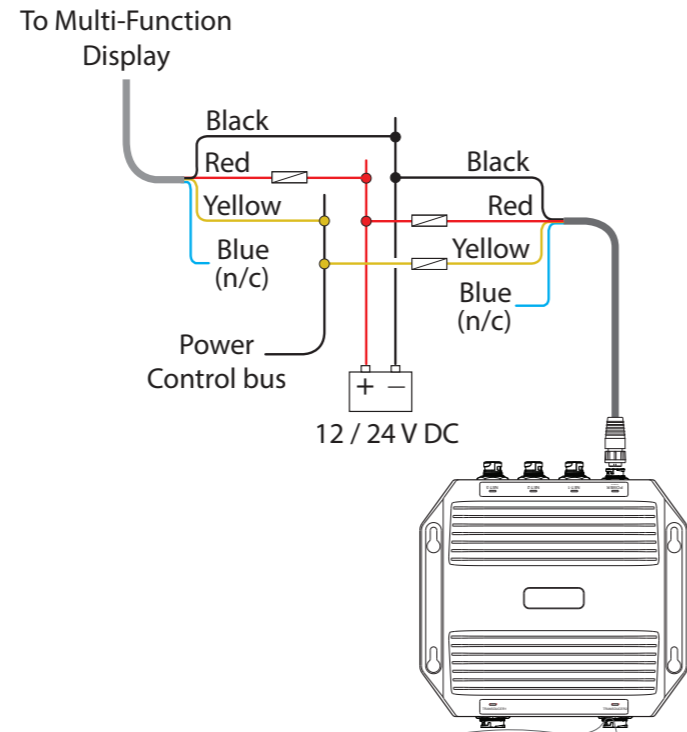


Power

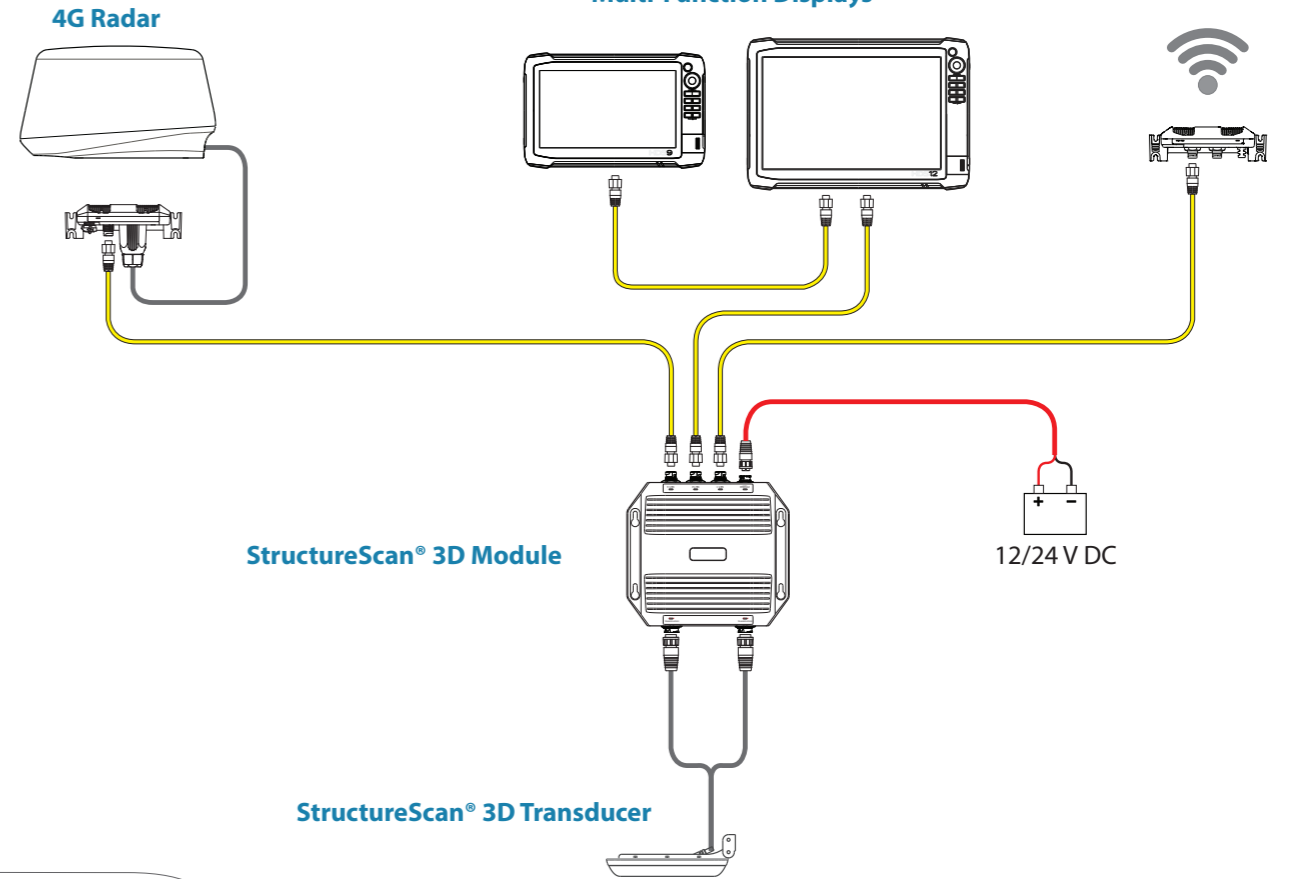
Power controlled by External Switch



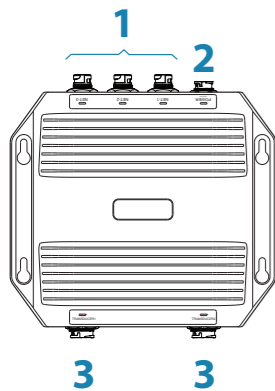
Power controlled by Multi-Function Display



Wiring example

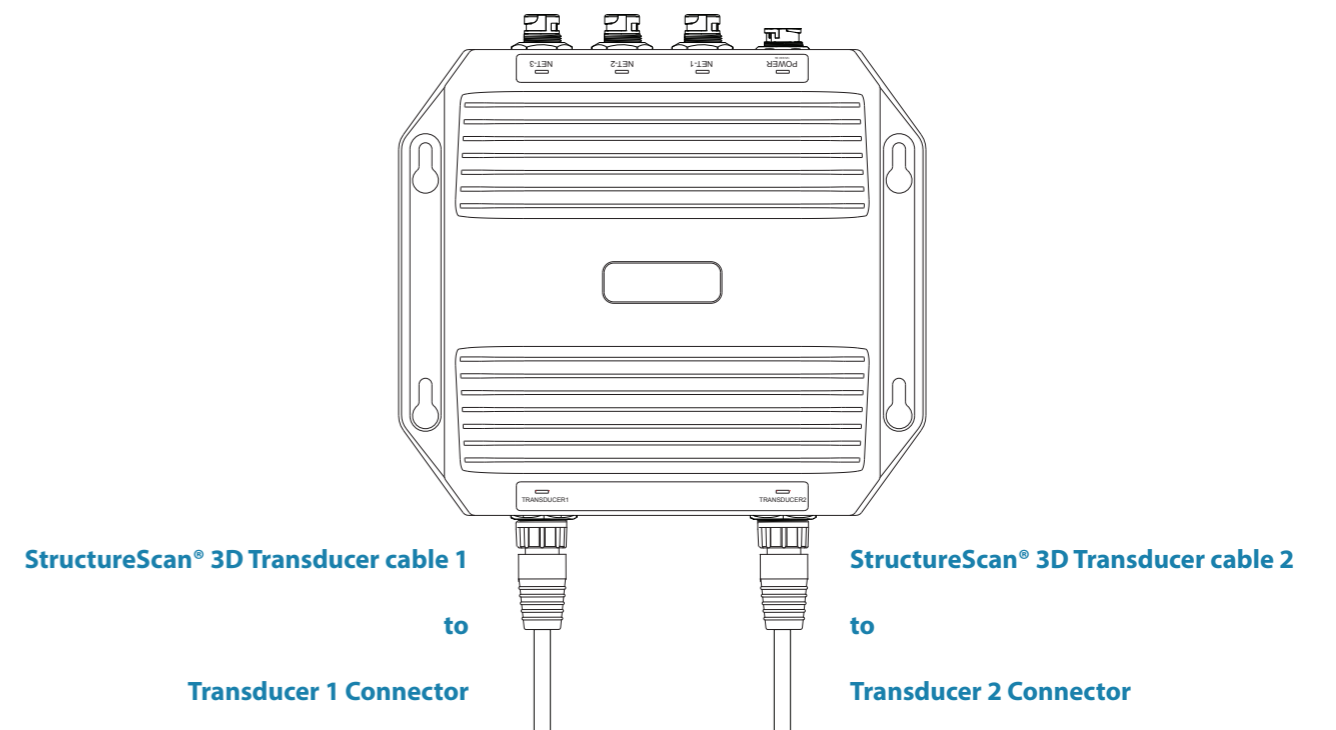


Connectors and LEDs



ID	CONNECTORS	LEDs	
1	Ethernet	OFF	No connection
		ON/FLASHING - Green	Connected and ok
2	Power	OFF	No power
		ON - Red	System starting
		ON - Green	System operating
		FLASHING Red/Green	Software error - restart unit
3	Structure Scan 3D transducer	OFF	Sounder not operating
		FLASHING (every second) - Green	Searching for bottom signal
		ON	Operational system with bottom signal detected

Transducer connection



Ensure both StructureScan® 3D transducer cables are connected to the StructureScan® 3D Module correctly