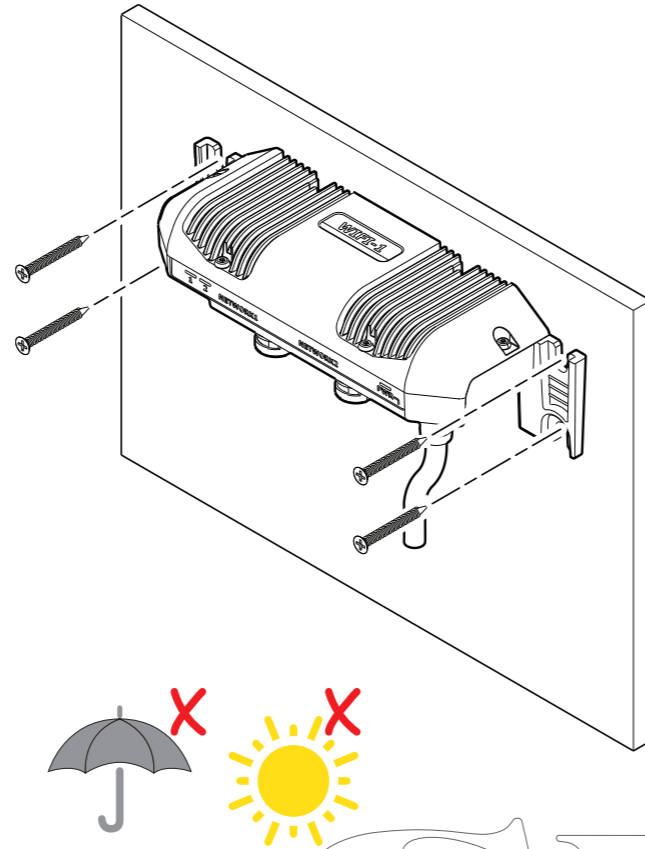
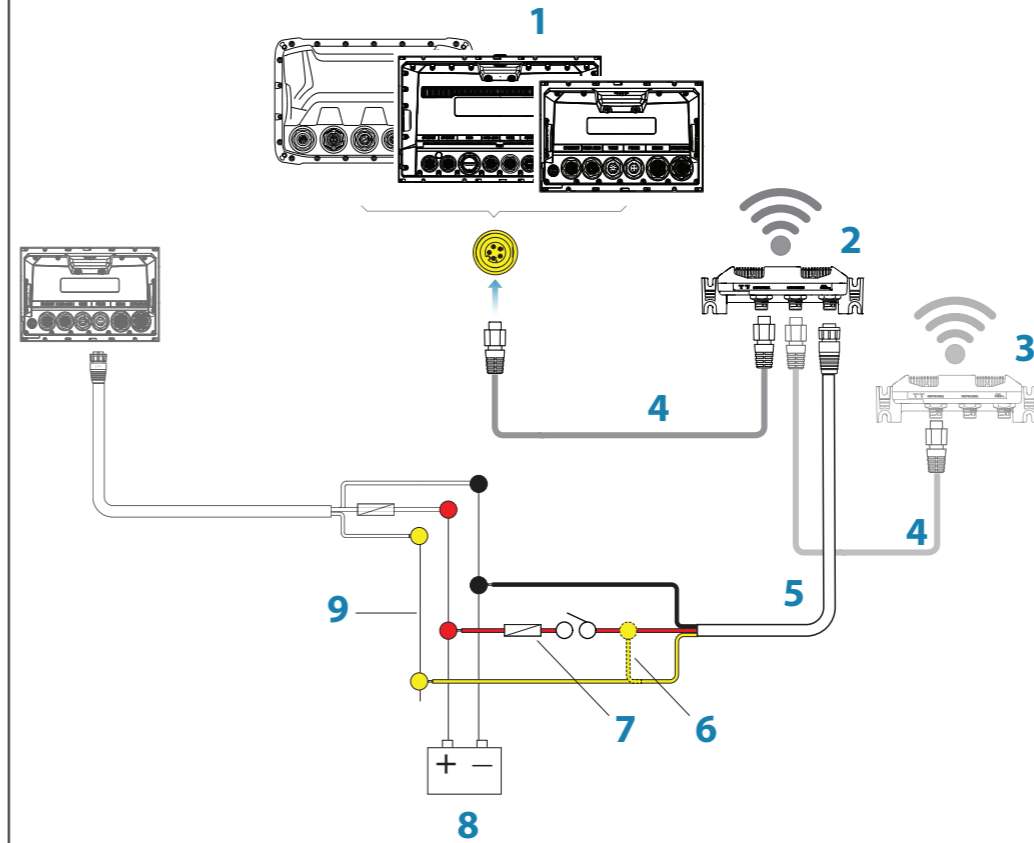




Installing



Wiring



Key	Description
1	Multifunction display, SonarHub™, StructureScan™ or other WIFI-1
2	WIFI-1
3	Optional second WIFI-1 to use in Access Point mode when the primary WIFI-1 is in Client mode. Maintains the ability of mobile devices to connect to the navigation network
4	Ethernet cable
5	Power cable
6	Remote power on: WIFI-1 will turn on when power is applied
7	Fuse or breaker
8	12 V DC
9	Remote power on: WIFI-1 will turn on when the MFD is turned on (MFD needs to be set to power on master)



Compliance statements

This device complies with Part 15 of the FCC Rules and with Industry Canada license-exempt RSS standard(s). Operation is subject to the following two conditions: (1) this device may not cause harmful interference, and (2) this device must accept any interference received, including interference that may cause undesired operation.
FCC Identifier: RAYGOFREEWIFI

Specifications

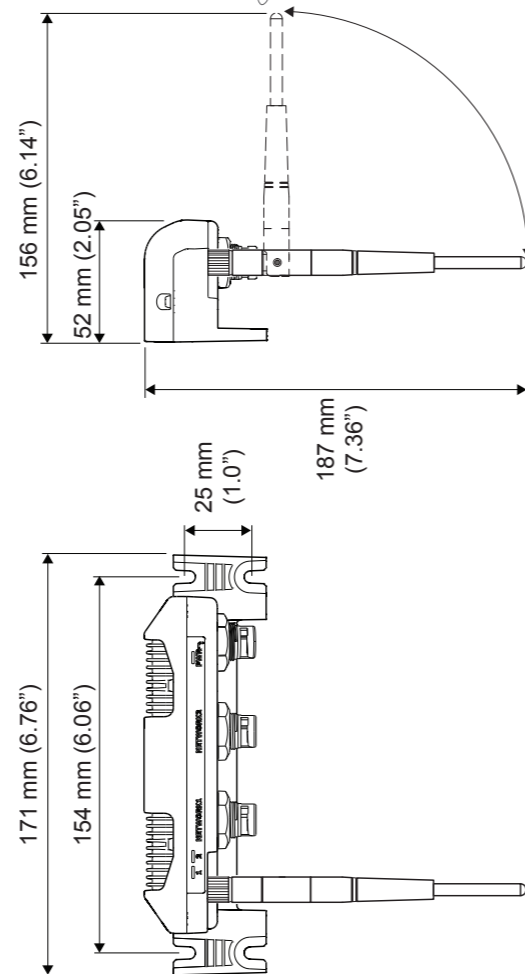
WIFI-1 features	
Marinised construction	IPX5
Wireless standards	802.11 b/g
Ethernet network ports	2
Automatic configuration	Plug-n-play
Power supply	12 V DC, 200 mA
Supported hotspot security	WPA-PSK, WPA2, WPE 64/128 bit encryption, TKIP encryption

References

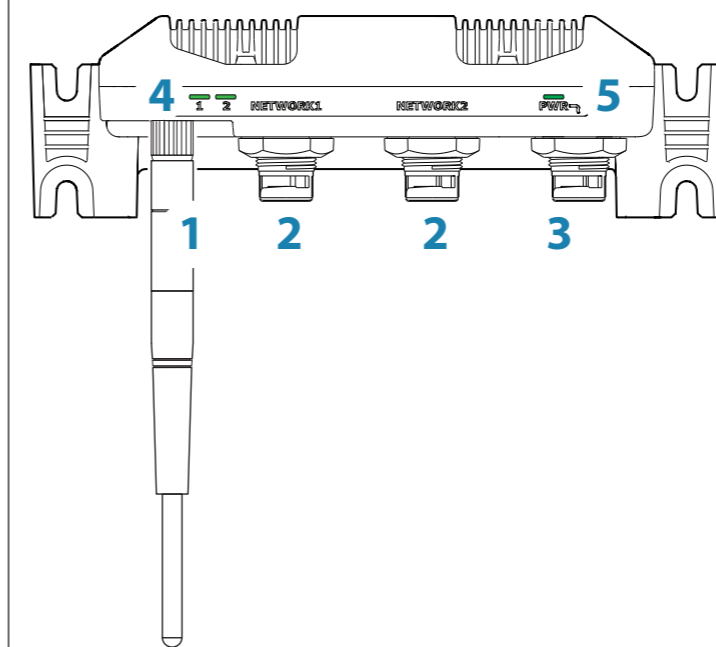
For a list of supported features or to download the latest software for your MFD please visit:



Dimensional drawing



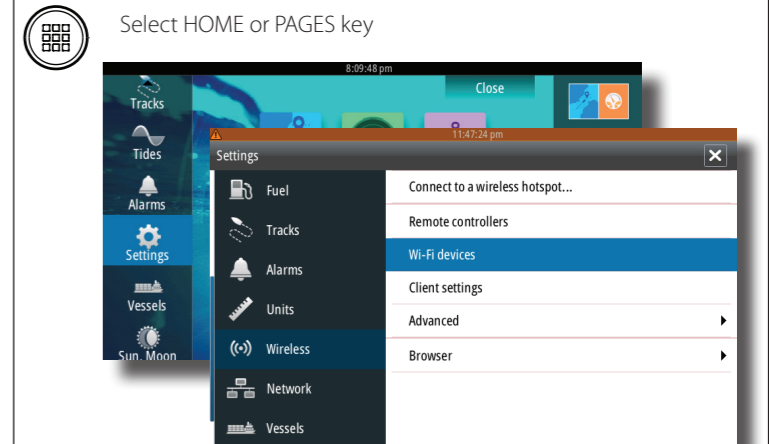
Layout



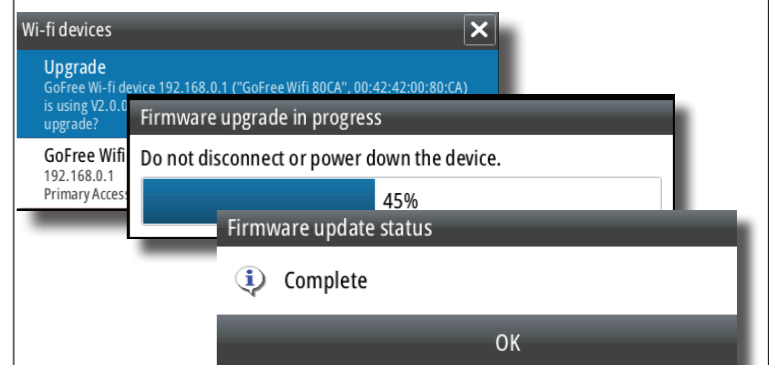
Key	Description
1	Antenna
2	Ethernet ports x 2
3	Power connector
4	Ethernet LEDs Green: port is active
5	Power LED Red: power on

Setup

Note: Compatible MFDs are required to have software that can support the GoFree Shop features. Please refer to the support page of the MFD website to upgrade the MFD. The MFD will then check the firmware version of the WIFI-1 module and will prompt an upgrade if required.

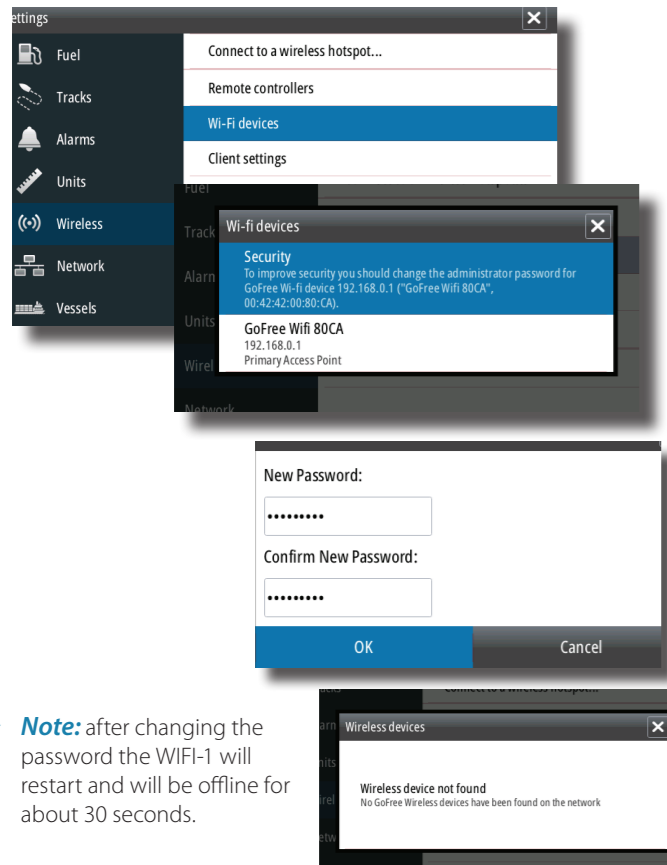


Upgrade the WIFI-1 software if prompted



Set administrator password

For security purposes we recommend that you change the administrator password.



→ **Note:** after changing the password the WIFI-1 will restart and will be offline for about 30 seconds.

WIFI-1 modes

The WIFI-1 can be operated in one of two modes



Access point mode:

Mobile devices can connect to the WIFI-1 module so that apps such as GoFree can have access to the vessels navigation information

Client mode:

Connects the WIFI-1 to a nearby wireless hotspot so the multifunction display can connect to the Internet and have access to the GoFree Shop and other Internet features.

Mobile devices can no longer access the navigation information unless there is a second WIFI-1 on-board

Access point mode

The WIFI-1 will need to be in access point mode in order for mobile devices to be connected. Access point mode is the factory default setting.

→ **Note:** If the WIFI-1 is in client mode, see below how to disconnect and revert back to being in access point mode

Connect a mobile device to the network

Connect your mobile device to the WIFI-1 wireless network to enable the use of GoFree and other applications:

→ **Note:** The WIFI-1 module must be in access point mode



Password available on sticker supplied with Wifi-1 unit, and from MFD

Download Apps from the App Store



→ **Note:** Graphics from iPad and App Store are examples only. Tablets and smartphones from other vendors can be used for controlling the MFD where relevant Apps are available.

Client mode

Connect WIFI-1 to a wireless hotspot

Connect the WIFI-1 to a wireless 802.11 b/g Internet hotspot to access the new and future Internet based features on your MFD such as the GoFree Shop.

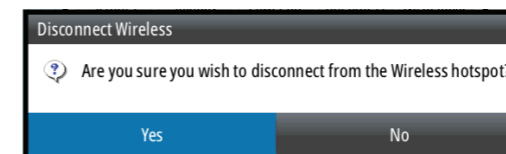
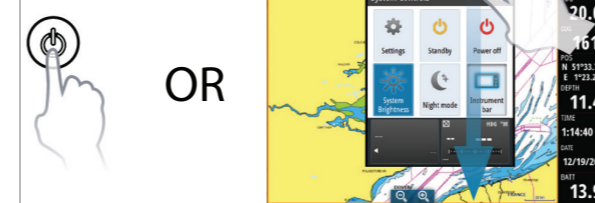
→ **Note:** GoFree apps on mobile devices will not work when WIFI-1 is connected to an Internet hotspot in client mode.

→ **Note:** Change back to GoFree access point mode at any time to resume using GoFree Apps. Changing between modes can take up to 2 minutes.

Select HOME or PAGES key



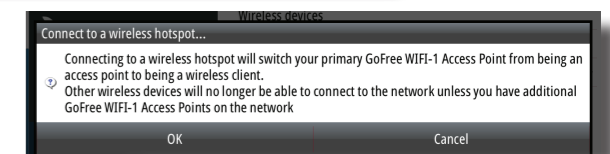
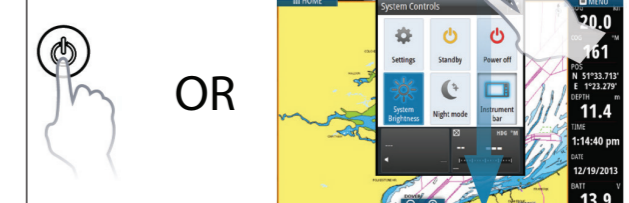
Quick disconnect from the Internet



Disconnecting will switch the WIFI-1 back into access point mode.

→ **Note:** The WIFI-1 module will restart each time the mode is changed. The WIFI-1 will be off line for up to two minutes.

Quick re-connect to the Internet



→ **Note:** If a wireless hotspot was set to remember key and connect automatically and is in range. The WIFI-1 will connect to it automatically