

**Threaded Discharge Port
Supplemental Instructions**

ORIGINAL INSTRUCTIONS/TRANSLATION OF ORIGINAL INSTRUCTIONS
READ AND UNDERSTAND THESE INSTRUCTIONS
PRIOR TO OPERATING OR SERVICING THIS PRODUCT

UNASSEMBLED FITTINGS

1. Install the appropriate barb fitting straight or 90 degree into the 3/4 inch connector nut; place the sealing washer into the connector nut afterwards.
2. Install the hose clamp loosely on the discharge hose and install the hose onto the barb. Tighten the hose clamp securely.
3. Thread the assembled connector nut onto the pump discharge port, position the hose and hand tighten the connector nut, tighten the assembly 1/4 turn past hand tightness.

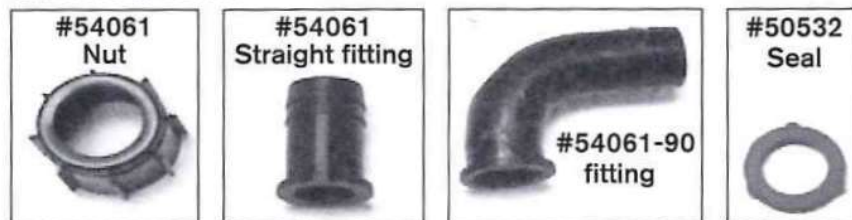
PRE-ASSEMBLED FITTINGS

1. Install the hose clamp loosely on the discharge hose, install the hose onto the barb fitting and position as necessary. Tighten the hose clamp securely.
2. Check the tightness of the connector nut.

**THREADED NUTS DO NOT REQUIRE MECHANICAL TIGHTENING.
DO NOT OVER TIGHTEN, DAMAGE MAY OCCUR**

Marine type sealants are not required, periodic check for tightness is recommended.

PART NUMBERS:



Johnson Pump of America 5885 11th Street, Rockford, IL 61109-3699, U.S.A.
Tel 815-874-5556. Fax 815-874-8011
www.spflow.com/johnson-pump-marine

52234 R01

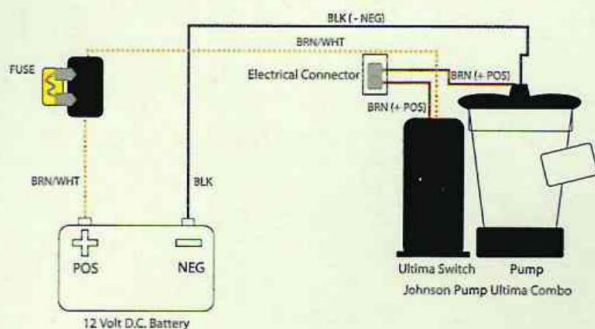
Printed Oct 2019

Ultima Combo Automatic Submersible Bilge Pump

Multi-language detailed installation manual included in this box.

Wiring Diagram

Configuration: Fused Direct Installation



Rear view: Fused auto/man switch panel

