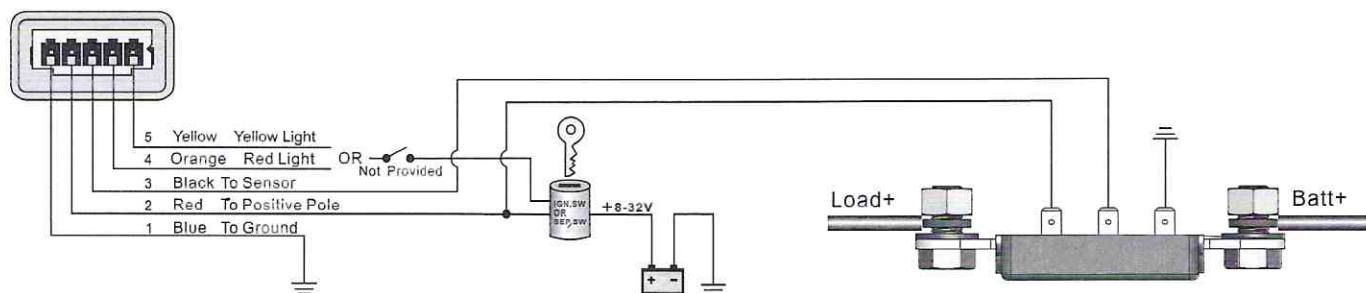
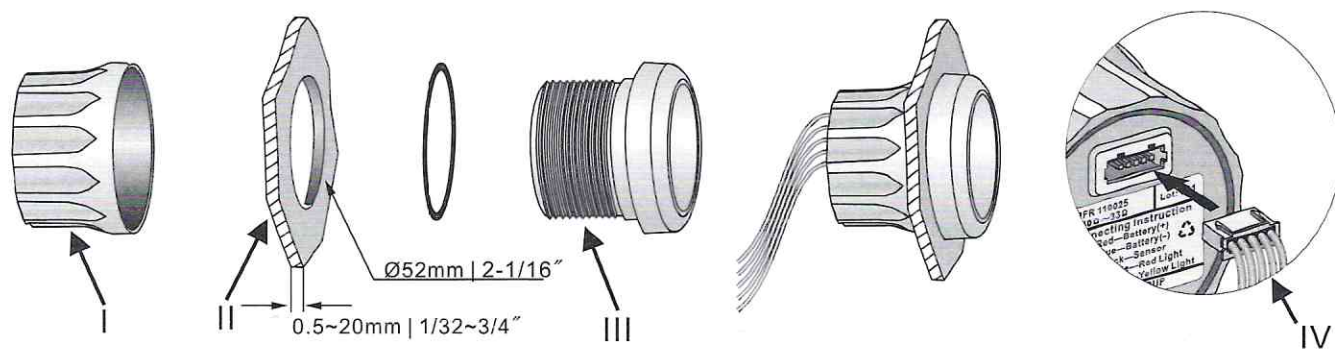


INSTALLATION INSTRUCTIONS



INSTALLATION STEPS

1. Cut a 52 mm (2 1/16") diameter hole in panel (II) allow clearance of 55mm (2 3/16") behind the panel.
2. Remove fastening ring (I), insert Gauge from front. Tighten gauge (III) using fastening ring (I)
3. Insert the wire harness (IV) firmly in the gauge
4. Connect cables according to diagram. Connect to 12 or 24 Volt.
5. Choose either red or yellow back light.
6. Be sure to connect the cables to the sensor correctly, otherwise charging will show as consumption (- amp).
7. Important: Ensure the main cable size is sufficient to stand the current you expect to charge or consume.

安装步骤

1. 在仪表板上开一个直径为52mm(2 1/16")的孔(II).并确保仪表板后面至少有55mm(2 3/16")的空间来放置仪表.
2. 松开锁紧环(I),从前面装入仪表.用锁紧环(I)固定仪表(III).
3. 在仪表上插入线束(IV).
4. 根据接线图连接好电线.仪表可连接至12或24伏.
5. 可选用红色或黄色背光灯.
6. 请确保电流表和电流传感器正确连接,否则电流表将显示最大负电流.
7. 重要:确保主线尺寸应能够承受你们预计的充电电流或是消耗电流.