

**WAECO**  
by Dometic GROUP



# CoolFreeze CFX95DZ2

## **Compressor Cooler** Instruction Manual

**Please read this operating manual carefully before starting the device. Keep it in a safe place for future reference. If the device is passed on to another person, this operating manual must be handed over to the user along with it.**

The manufacturer cannot be held liable for damage resulting from **improper usage** or **incorrect operation**.

## Contents

<b>1</b>	<b>Explanation of symbols</b> . . . . .	<b>3</b>
<b>2</b>	<b>Safety instructions</b> . . . . .	<b>4</b>
2.1	General safety . . . . .	4
2.2	Operating the device safely . . . . .	5
<b>3</b>	<b>Scope of delivery</b> . . . . .	<b>6</b>
<b>4</b>	<b>Accessories</b> . . . . .	<b>6</b>
<b>5</b>	<b>Intended use</b> . . . . .	<b>7</b>
<b>6</b>	<b>Function description</b> . . . . .	<b>8</b>
6.1	Scope of functions . . . . .	8
6.2	Operating and display elements . . . . .	9
<b>7</b>	<b>Operation</b> . . . . .	<b>12</b>
7.1	Before initial use . . . . .	12
7.2	Energy saving tips . . . . .	14
7.3	Connecting the cooler . . . . .	14
7.4	Using the battery monitor . . . . .	15
7.5	Using the cooler . . . . .	17
7.6	Setting the temperature . . . . .	18
7.7	Switching a compartment off or on . . . . .	19
7.8	Enabling WiFi signal for optional app . . . . .	20
7.9	Using the emergency switch . . . . .	21
7.10	USB port for power supply . . . . .	21
7.11	Switching off the cooler . . . . .	21
7.12	Defrosting the cooler . . . . .	22
7.13	Replacing the device fuse . . . . .	22
7.14	Replacing the plug fuse (DC) . . . . .	23
7.15	Replacing the light PCB . . . . .	23
<b>8</b>	<b>Cleaning and maintenance</b> . . . . .	<b>24</b>

9	Troubleshooting	25
10	Guarantee	26
11	Disposal	26
12	Technical data	27

# 1 Explanation of symbols



## **DANGER!**

**Safety instruction:** Failure to observe this instruction will cause fatal or serious injury.



## **WARNING!**

**Safety instruction:** Failure to observe this instruction can cause fatal or serious injury.



## **CAUTION!**

**Safety instruction:** Failure to observe this instruction can lead to injury.



## **NOTICE!**

Failure to observe this instruction can cause material damage and impair the function of the product.



## **NOTE**

Supplementary information for operating the product.

- **Action:** This symbol indicates that action is required on your part. The required action is described step-by-step.
- ✓ This symbol describes the result of an action.

**Fig. 1 5, page 3:** This refers to an element in an illustration. In this case, item 5 in figure 1 on page 3.

## 2 Safety instructions

### 2.1 General safety



#### **WARNING!**

- Do not operate the device if it is visibly damaged.
- If this device's power cable is damaged, it must be replaced by the manufacturer, customer service or a similarly qualified person in order to prevent safety hazards.
- This device may only be repaired by qualified personnel. Improper repairs can lead to considerable hazards.
- This device can be used by children aged 8 years or over, as well as by persons with diminished physical, sensory or mental capacities or a lack of experience and/or knowledge, providing they are supervised or have been taught how to use the device safely and are aware of the resulting risks.
- Cleaning and user maintenance must not be carried out by children without supervision.
- Children must not play with the device.
- Children must be supervised to ensure that they do not play with the device.
- Always keep and use the device out of the reach of children under the age of 8 years.
- Do not store any explosive substances such as spray cans with a flammable propellant in the device.



#### **CAUTION!**

- Disconnect the device from the power supply
  - before each cleaning and maintenance
  - after every use
- Food may only be stored in its original packaging or in suitable containers.



#### **NOTICE!**

- Check that the voltage specification on the type plate corresponds to that of the energy supply.

- Only connect the device as follows:
  - With the DC cable to a DC plug socket in the vehicle (e. g. cigarette lighter)
  - Or with the 230 V connection cable to the 230 V AC mains supply
- Never pull the plug out of the socket by the cable.
- If the cooler is connected to the DC socket: Disconnect the cooler and other power consuming devices from the battery before connecting the quick charging device.
- If the cooler is connected to the DC socket: Disconnect the cooler or switch it off when you turn off the engine. Otherwise you may discharge the battery.
- The cooling device is not suitable for transporting caustic materials or materials containing solvents.
- The cooling device contains inflammable cyclopentane in the insulation. The gases in the insulation material require special disposal procedures. Deliver the device at the end of its life-cycle to an appropriate recycling.

## 2.2 Operating the device safely



### CAUTION!

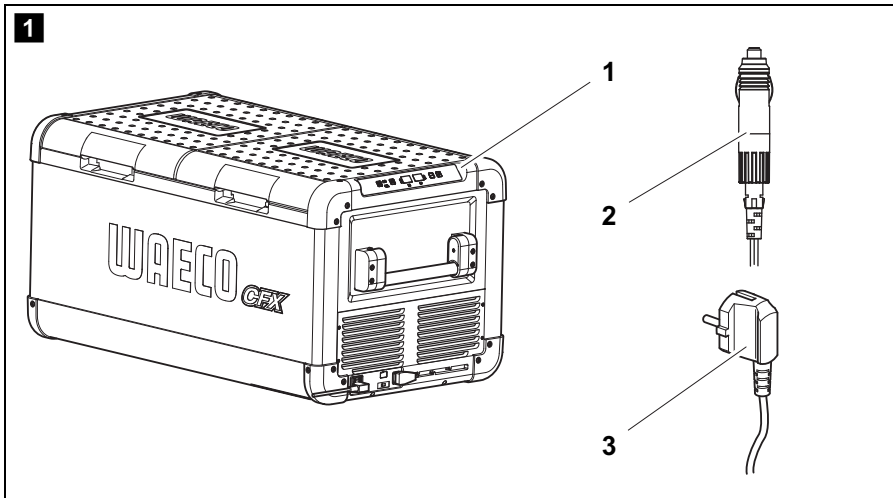
- Before starting the device, ensure that the power supply line and the plug are dry.



### NOTICE!

- Do not use electrical devices inside the cooler unless they are recommended by the manufacturer for the purpose.
- Do not place the device near naked flames or other heat sources (heaters, direct sunlight, gas ovens etc.).
- **Danger of overheating!**  
Ensure at all times that there is sufficient ventilation so that the heat that arises during operation does not build up. Make sure that the device is sufficiently far away from walls and other objects so that the air can circulate.
- Ensure that the ventilation openings are not covered.
- Do not fill the inner container with ice or fluid.
- Never immerse the device in water.
- Protect the device and the cable against heat and moisture.

### 3 Scope of delivery



Item	Quantity	Description
1	1	Cooler
2	1	Connection cable DC connection
3	1	Connection cable for AC connection
–	1	Operating manual

### 4 Accessories

Available as accessory (not included in scope of delivery):

Designation	Item no.
Universal fixing kit (belt system) CFX-UFK	9105304041

Visit the Dometic website (see back page) for information about a WiFi app with control-, display- and alarm functions. Note that the app may not be available in your country.

## 5 Intended use



The cooling device is suitable for cooling and freezing foods. The cooling device is also suitable for use on boats.



The cooling device is designed to be operated from a DC on-board supply socket of a vehicle (e. g. cigarette lighter), boat or caravan as well as from an AC mains.

The cooling device is intended to be used in household and similar applications such as

- staff kitchen areas in shops, offices and other working environments
- farm houses
- clients in hotels, motels and other residential type environments
- bed and breakfast type environments
- catering and similar non-retail applications





### **CAUTION! Health hazard!**

Please check if the cooling capacity of the device is suitable for storing the food or medicine you wish to cool.

## 6 Function description

The cooler can chill products, keep them cool as well as freeze them. A low maintenance refrigerant circuit with compressor provides the cooling. The generous insulation and powerful compressor ensure efficient and fast cooling.

The cooler has two separate compartments which can be adjusted independently. The cooler can be used in all combinations:

Large compartment 	Small compartment 
Refrigerator	Freezer
Freezer	Refrigerator
Refrigerator	Refrigerator
Freezer	Freezer

(Refer to chapter “Setting the temperature” on page 18 for further details)

The cooler is portable.

The cooler can withstand a constant heel (inclination) of 30°, for example when used on boats.

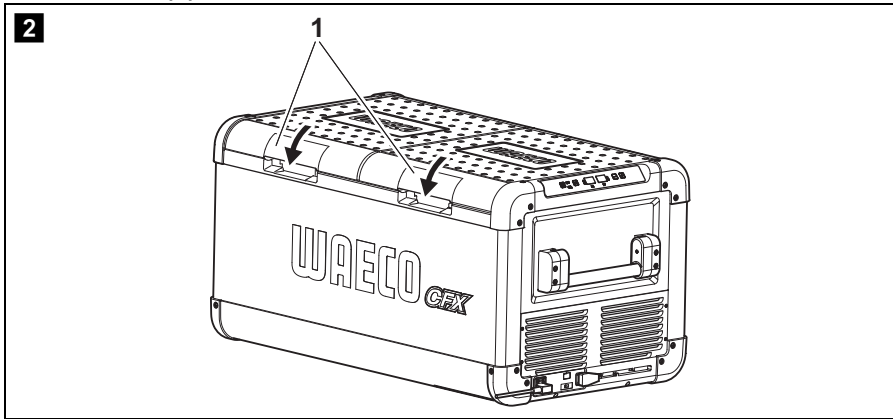
### 6.1 Scope of functions

- Power supply with priority circuit for connecting to the AC mains
- Three-level battery monitor to protect the vehicle battery
- Display with temperature gauge in °C and °F switches off automatically at low battery voltage
- Independent settings, controls and displays for each compartment
- Temperature setting: With two buttons in steps of 1 °C (2 °F)
- Integrated WiFi transmitter hence controllable using an app
- Lid open alarm
- USB port for power supply
- Emergency switch
- Foldable carrying handles
- Three removable wire baskets

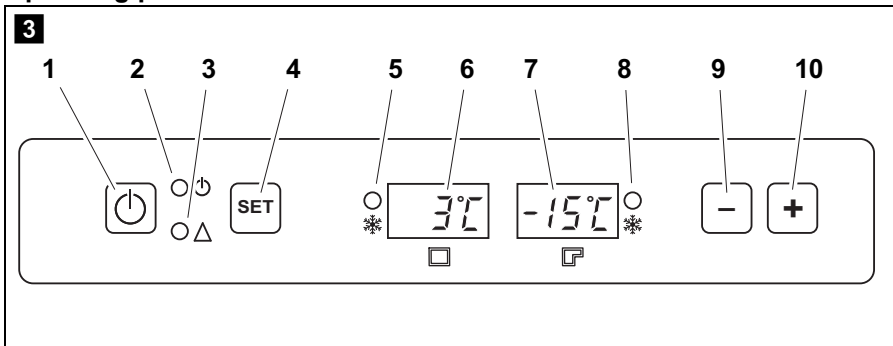



## 6.2 Operating and display elements



Latch for lid (1):



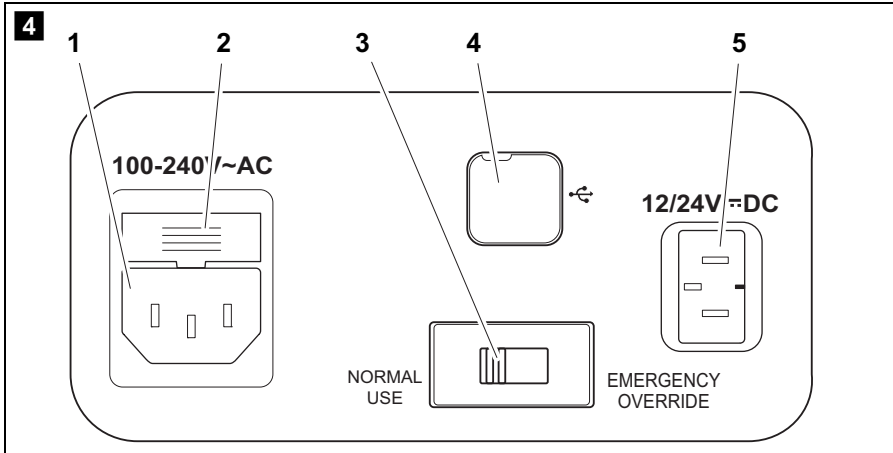
Operating panel



Item	Description	Explanation
1	ON OFF	Switches the cooler on or off when the button is pressed for between one and two seconds
2	POWER “  ”	Status indication LED lights up green: Compressor is on LED lights up orange: Compressor is off LED flashes orange: Display switched off automatically due to low battery voltage
3	ERROR	LED flashes red: Device is switched on but not ready for operation

Item	Description	Explanation
4	SET	Selects the input mode – Temperature setting (large/small compartment) – Celsius or Fahrenheit display – Set battery monitor – Turn WiFi on or off
5	Cooling large 	Status indication large compartment LED lights up blue: compartment is cooling LED off: compartment is not cooling
6	Display large	– Shows information for large compartment – Shows “OFF”, when the compartment is switched off
7	Display small	– Shows information for small compartment – Shows “OFF”, when the compartment is switched off
8	Cooling small 	Status indication small compartment LED lights up blue: compartment is cooling LED off: compartment is not cooling
9	DOWN –	Press once to decrease the value
10	UP +	Press once to increase the value

### Connection sockets, Emergency switch (when fitted) and USB port



Item	Description
1	Connection socket AC voltage supply
2	Fuse holder
3	Emergency switch
4	USB port for power supply
5	Connection socket DC voltage supply

# 7 Operation

## 7.1 Before initial use

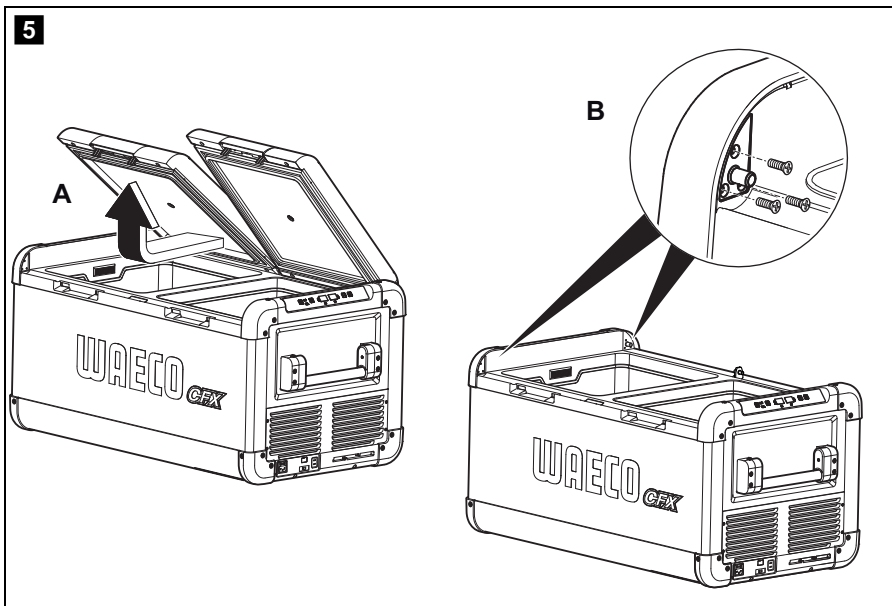


### NOTE

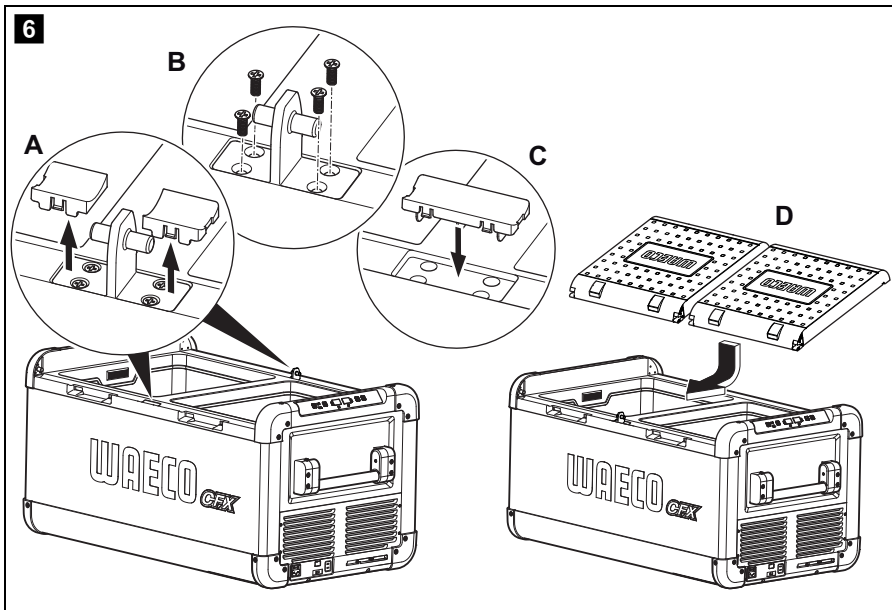
Before starting your new cooler for the first time, you should clean it inside and outside with a damp cloth for hygienic reasons (please also refer to the chapter “Cleaning and maintenance” on page 24).

### Reversing the lid opening direction

The lid hinges can be moved to the opposite side if you want to open the lids from the opposite direction. To do this, proceed as follows:



- Open the lids and remove them (A).
- Remove three screws per side hinge (B) and take off hinges.
- Remove plastic covers from new side hinge positions with a small screwdriver and re-fit to old hinge positions.
- Re-fit side hinges in new positions.



- Remove two plastic covers from the centre hinge (A).
- Remove four screws from the centre hinge (B) and take off the hinge.
- Remove the plastic cover from new centre hinge position with a small screwdriver and re-fit to old hinge position (C).
- Re-fit centre hinge in new position.
- Insert the lids in the hinges on the opposite side (D).

### Selecting the temperature units

Temperature display units can be switched between Celsius and Fahrenheit as follows:

- Switch on the cooler.
  - Press the “SET” button (fig. 3 4, page 9) three times.
  - Use the “UP +” (fig. 3 10, page 9) or “DOWN –” (fig. 3 9, page 9) buttons to select Celsius or Fahrenheit.
- ✓ The selected temperature units then appear in both displays for a few seconds. The displays flash several times before returning to the current temperature.

## 7.2 Energy saving tips

- Choose a well ventilated installation location which is protected against direct sunlight.
- Allow warm food to cool down first before placing it in the device to keep cool.
- Do not open the cooling device more often than necessary.
- Do not leave the cooler unit open for longer than necessary.
- Defrost the cooler once a layer of ice forms.
- Avoid unnecessarily low temperatures.

## 7.3 Connecting the cooler

### Connecting to a battery (vehicle or boat)

The cooler can be operated with 12 V or 24 V $\overline{=}$ .



***NOTICE! Danger of damage!***

Disconnect the cooler and other consumer units from the battery before you connect the battery to a quick charging device. Overvoltage can damage the electronics of the device.

For safety reasons the cooler is equipped with an electronic system to prevent the polarity reversal. This protects the cooler against short-circuiting when connecting to a battery.

- Plug the DC connection cable (fig. **1** 2, page 6) into the device DC voltage socket and also into a DC socket.

## Connecting to a 100–240 V AC mains (e.g. in the home or office)



### **DANGER! Danger of electrocution!**

- Never handle plugs and switches with wet hands or if you are standing on a wet surface.
- If you are operating your cooler on board a boat from a mains connection of 100 – 240 V~, you must install a residual current circuit breaker between the 100 – 240 V~ mains and the cooler.  
Seek advice from a trained technician.

The coolers have an integrated multi-voltage power supply with priority circuit for connecting to an AC voltage source of 100 – 240 V. The priority circuit automatically switches the cooler to mains operation, if the device is connected to an AC mains, even if the DC connection cable is still attached.

- Plug the AC connection cable (fig. **1** 3, page 6) into the device AC voltage socket and connect it to the AC voltage mains.

## 7.4 Using the battery monitor



The device is equipped with a multi-level battery monitor that protects your vehicle battery against excessive discharging when the device is connected to the on-board DC supply.

If the cooler is operated when the vehicle ignition is switched off, the cooler switches off automatically as soon as the supply voltage falls below a set level. The cooler will switch back on once the battery has been recharged to the restart voltage level.



### **NOTICE! Danger of damage!**

When switched off by the battery monitor, the battery will no longer be fully charged. Avoid starting repeatedly or operating current consumers without longer charging phases. Ensure that the battery is recharged.

In “HIGH” mode, the battery monitor responds faster than at the levels “LOW” and “MED” (see the following table).

Battery monitor mode	LOW	MED	HIGH
Switch-off voltage at 12 V	10.1 V	11.4 V	11.8 V
Restart voltage at 12 V	11.1 V	12.2 V	12.6 V
Switch-off voltage at 24 V	21.5 V	24.1 V	24.6 V
Restart voltage at 24 V	23.0 V	25.3 V	26.2 V

The battery monitor mode can be selected as follows:

- ▶ Switch on the cooler.
- ▶ Press the “SET” button (fig. **3** 4, page 9) four times.
- ▶ Use the “UP +” (fig. **3** 10, page 9) or “DOWN –” (fig. **3** 9, page 9) buttons to select the battery monitor mode.
- ✓ Digital display will be as follows:  
Lo (LOW), Πd (MED), HI (HIGH)
- ✓ The selected mode then appears in the display for a few seconds. The display flashes several times before it returns to the current temperature.



#### **NOTE**

When the cooler is supplied by the starter battery, select the battery monitor mode “HIGH”. If the cooler is connected to a supply battery, the battery monitor mode “LOW” will suffice.



## 7.5 Using the cooler



### **NOTICE! Danger of overheating!**

Ensure at all times that there is sufficient ventilation so that the heat that generated during operation can dissipate. Ensure that the ventilation slots are not covered. Make sure that the device is sufficiently far away from walls and other objects so that the air can circulate.

- Place the cooler on a firm foundation.  
Make sure that the ventilation slots are not covered and that the heated air can dissipate.



### **NOTE**

Place the cooler as shown (fig. **1**, page 6). If you operate the box in a different orientation it can be damaged.

- Connect the cooler, see chapter “Connecting the cooler” on page 14.



### **NOTICE! Danger from excessively low temperature!**

Ensure that the only those objects are placed in the cooler that are intended to be cooled at the selected temperature.

- Press the “ON/OFF” button (fig. **3** 1, page 9) for between one and two seconds.
- ✓ The LED “ $\phi$ ” lights up (fig. **3** 2, page 9).
- ✓ The displays (fig. **3** 6 and 7, page 9) switch on and show the current temperatures.
- ✓ Depending on the compartment set temperatures, the cooler starts cooling either one or both compartments.
- ✓ The LEDs (fig. **3** 5 and 8, page 9) light up when the respective compartment is cooling.



### **NOTE**

When operating with the battery, the display switches off automatically if the battery voltage is low. The LED “ $\phi$ ” flashes orange.

## Latching the cooler lid

- Close the lids.
- Press the latches (fig. **2** 1, page 9) down, until they latch in place audibly.



### **NOTE – Lid Open Alarm**

If a lid is left open for three minutes or more and the device is switched on, the respective interior light will flash until the lid is closed.

## 7.6 Setting the temperature

- Press the “SET” button (fig. **3** 4, page 9):
  - once for the large compartment
  - twice for the small compartment
- ✓ The display of the respective compartment blinks.
- Use the “UP +” (fig. **3** 10, page 9) and “DOWN –” (fig. **3** 9, page 9) buttons to select the cooling temperature.  
You can adjust the cooling temperature so that each compartment works as a refrigerator compartment or as a freezer compartment.
- ✓ The cooling temperature appears in the display for a few seconds. The display flashes several times and then the current temperature is displayed again.



### **NOTE**

The temperature of each compartment can be set to  $-22\text{ }^{\circ}\text{C}$ . The manufacturer however recommends a cooling temperature of  $-15\text{ }^{\circ}\text{C}$  to  $-18\text{ }^{\circ}\text{C}$  for normal usage and optimum energy consumption.

## 7.7 Switching a compartment off or on

If only one compartment is required, the other compartment can be switched off to save energy.

### Switching off compartment

If the display of the compartment shows a temperature, you can switch off the compartment as follows:

- ▶ Press the “SET” button (fig. **3** 4, page 9):
  - once for the large compartment
  - twice for the small compartment
- ✓ The display of the respective compartment blinks.
- ▶ Press the “ON/OFF” button (fig. **3** 1, page 9).
- ✓ “OFF” flashes for five seconds on the display of the respective cooling compartment, then “OFF” is displayed.

### Switching on compartment

If the display of the compartment shows “OFF”, you can switch on the compartment as follows:

- ▶ Press the “SET” button (fig. **3** 4, page 9):
  - once for the large compartment
  - twice for the small compartment
- ✓ The display of the respective compartment blinks.
- ▶ Press the “ON/OFF” button (fig. **3** 1, page 9).
- ✓ The cooling temperature appears in the display for a few seconds. The display flashes several times and then the current temperature is displayed.

## 7.8 Enabling WiFi signal for optional app

The cooler can be controlled via WiFi using an app that you can install on a compatible device. The app has control, display and alarm functions.

You find further information on the Dometic website for your country (see back page). Note that the app may not be available in your country.

### Switching the WiFi signal on or off

- ▶ Press the “SET” button (fig. **3** 4, page 9) five times.
- ▶ Use the “UP +” (fig. **3** 10, page 9) and “DOWN –” (fig. **3** 9, page 9) buttons to switch the WiFi signal on or off.
- ✓ The desired setting appears in the display for a few seconds. The display flashes several times and then the current temperature is displayed again.



#### **NOTE**

The WiFi transmitter uses a small amount of power. For optimal energy performance switch the WiFi transmitter off if it is not being used.

### Resetting the WiFi to factory settings

In case you have personalized the WiFi settings of your cooling device using the WiFi app and forgotten your password, you can reset to the factory settings as follows:

- ▶ Press the “SET” button (fig. **3** 4, page 9) five times.
- ▶ Hold the “UP +” (fig. **3** 10, page 9) button for at least five seconds.
- ✓ In both displays “rES” will blink several times before returning to the previous display.
- ✓ The WiFi settings have been reset to factory settings.

For additional information visit the Dometic website from which you downloaded the app.

## 7.9 Using the emergency switch

The emergency switch (fig. **4** 1, page 11) is located below the control panel. For normal operation the switch is in the “NORMAL USE” position.

- ▶ If an electronic control failure occurs, slide the switch to “EMERGENCY OVERRIDE” position.

**NOTE**

If the switch is in the “EMERGENCY OVERRIDE” position, the cooler circuit runs with full cooling capacity and, depending on the running conditions of each compartment at the time of switching, may either freeze one or both compartments, and/or stop cooling one of the compartments.

## 7.10 USB port for power supply

The USB port allows you to charge small devices like mobile phones and mp3-players.

To use your cooling box with any USB devices, simply connect a USB cable (not included) to your device.

**NOTE**

Ensure that any small device connected to the USB port is compatible with 5 V/500 mA operation.

## 7.11 Switching off the cooler

- ▶ Empty the cooler.
- ▶ Switch the cooler off.
- ▶ Pull out the connection cable.

If you do not want to use the cooler for a longer period of time:

- ▶ Leave the lids slightly open. This prevents odour build-up.

## 7.12 Defrosting the cooler

Humidity can form frost in the interior of the cooling device or on the evaporators. This reduces the cooling capacity. Defrost the device in good time to avoid this.

***NOTICE! Danger of damage!***

Never use hard or pointed tools to remove ice or to loosen objects which have frozen in place.

To defrost the cooler, proceed as follows:

- Take out the contents of the cooling device.
- If necessary, place them in another cooling device to keep them cool.
- Switch off the device.
- Leave the lids open.
- Wipe off the defrosted water.

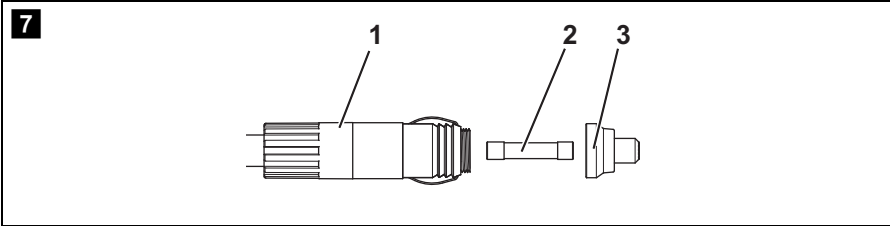
## 7.13 Replacing the device fuse

***DANGER! Danger of electrocution!***

Disconnect the power supply and the connection cable before you replace the device fuse.

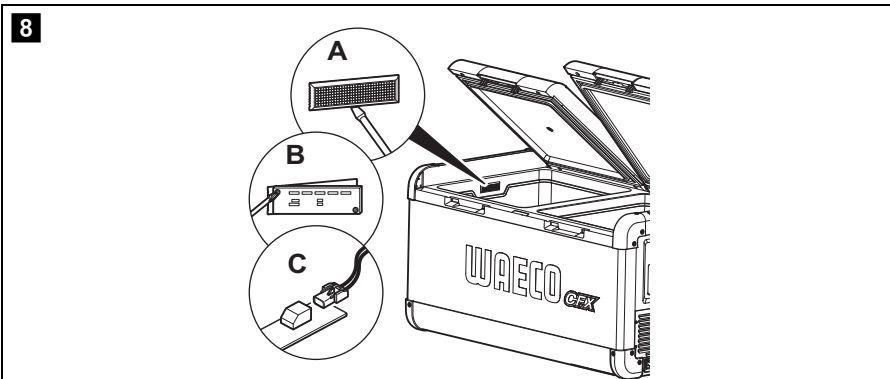
- Disconnect the power supply to the device.
- Pull off the connection cable.
- Pry out the fuse insert (fig. **4** 2, page 11) with a screwdriver.
- Replace the defective glass fuse with a new one that has the same rating (4A 250V).
- Press the fuse insert back into the housing.
- Reconnect the power supply to the device.

## 7.14 Replacing the plug fuse (DC)



- Unscrew the contact pin housing (3) from the plug (1).
- Replace the defective fuse (2) with a new fuse that has the same rating (3AG, 15 A).
- Re-assemble the plug in reverse order.

## 7.15 Replacing the light PCB



- Disconnect the power supply to the device.
- Pry out the transparent cover with a screwdriver (A).
- Unscrew the PCB mounting screws (B).
- Pull out the plug from the PCB (C).
- Replace the defective light PCB with a new one.
- Fit new PCB using reverse of removal instructions.
- Press the transparent cover back into the housing.
- Reconnect the power supply to the device.

## 8 Cleaning and maintenance

**WARNING!**

Always disconnect the device from the power supply before you clean and service it.

***NOTICE! Risk of damage***

- Never clean the cooler under running water or in dish water.
- Do not use abrasive cleaning agents or hard objects during cleaning as these can damage the cooler.

- Occasionally clean the device interior and exterior with a damp cloth.
- Make sure that the air inlet and outlet vents on the device are free of any dust and dirt, so that heat can be released and the device is not damaged.



## 9 Troubleshooting

Fault	Possible cause	Suggested remedy
Device does not function, LED does not glow.	There is no voltage present in the DC socket in your vehicle.	The ignition must be switched on in most vehicles to apply current to the DC socket.
	No voltage present in the AC voltage socket.	Try using another plug socket.
	The device fuse is defective.	Replace the device fuse, see chapter "Replacing the device fuse" on page 22.
	The integrated mains adapter is defective.	This can only be repaired by an authorised repair centre.
The device does not cool (plug is inserted, "POWER" LED is lit).	Defective compressor.	This can only be repaired by an authorised repair centre.
The device does not cool (plug is inserted, "POWER" LED flashes orange, display is switched off).	Battery voltage is too low.	Charge the battery as needed.
	Battery monitor is set too high.	Select a lower battery monitor setting.
When operating from the DC socket: The ignition is on and the device is not working and the LED is not lit. Pull the plug out of the socket and make the following checks.	The DC socket is dirty. This results in a poor electrical contact.	If the plug of your cooler becomes very warm in the DC socket, either the DC socket must be cleaned or the plug has not been assembled correctly.
	The fuse of the DC plug has blown.	Replace the fuse (15 A) in the DC plug, see chapter "Replacing the plug fuse (DC)" on page 23.
	The vehicle fuse has blown.	Replace the vehicle's DC socket fuse (usually 15 A). Please refer to your vehicle's operating manual.
The display shows an error message (e.g. "Err1") and the device does not cool.	The device has switched off due to an internal fault.	This can only be repaired by an authorised repair centre.
The interior light of a compartment flashes.	The lid of the compartment has been left open for more than five minutes.	Close the lid of the compartment.

## 10 Guarantee

The statutory warranty period applies. If the product is defective, please contact the manufacturer's branch in your country (see the back of the instruction manual for the addresses) or your retailer.

For repair and guarantee processing, please include the following documents when you send in the device:

- A copy of the receipt with purchasing date
- A reason for the claim or description of the fault






## 11 Disposal

- Place the packaging material in the appropriate recycling waste bins wherever possible.



If you wish to finally dispose of the product, ask your local recycling centre or specialist dealer for details about how to do this in accordance with the applicable disposal regulations.

## 12 Technical data

	<b>CFX95DZ2</b>
Item no.:	9105306181
Connection voltage:	12/24 V $\overline{=}$ and 100 – 240 V $\sim$
Rated current:	12 V $\overline{=}$ : 9.2 A 24 V $\overline{=}$ : 4.5 A 100 V $\sim$ : 1.10 A 240 V $\sim$ : 0.45 A
Cooling capacity:	+10 °C to –22 °C (+50 °F to –8 °F)
Category:	1
Energy efficiency class:	A+
Energy consumption:	109 kWh/annum
Gross volume:	
Large compartment:	54 l
Small compartment:	40,5 l
Storage volume:	
Large compartment:	50,5 l
Small compartment:	34,5 l
Climate class:	N, T
Ambient temperature:	+16 °C to +43 °C
Noise emission:	37 dB(A)
USB:	5 V $\overline{=}$ , 500 mA
Refrigerant:	R134a
Refrigerant quantity:	65 g
Dimensions (W x H x D) in mm:	
Including handles:	957 x 472 x 530
Without handles:	900 x 472 x 530
Weight:	32 kg
Test/certificates:	    



### NOTE

If the ambient temperature is above +32 °C (+90 °F), the minimum temperature cannot be attained.

**AUSTRALIA****Dometic Australia Pty. Ltd.**

1 John Duncan Court · Varsity Lakes QLD 4227

☎ 1800 212121 · 📠 +61 7 55076001

Mail: sales@dometic-waeco.com.au · www.waeco.com

**AUSTRIA****Dometic Austria GmbH**

Neudorferstrasse 108

2353 Guntramsdorf

☎ +43 2236 908070

📠 +43 2236 90807060

Mail: info@waeco.at

**BENELUX****Dometic Benelux B.V.**

Ecustraat 3

NL-4879 NP Etten-Leur

☎ +31 76 5029000

📠 +31 76 5029090

Mail: info@dometic.nl

**DENMARK****Dometic Denmark A/S**

Nordensvej 15, Taulov

DK-7000 Fredericia

☎ +45 75585966

📠 +45 75586307

Mail: info@waeco.dk

**FINLAND****Dometic Finland OY**

Mestariintie 4

FIN-01730 Vantaa

☎ +358 20 7413220

📠 +358 9 7593700

Mail: info@dometic.fi

**FRANCE****Dometic SAS**

ZA du Prè de la Dame Jeanne

F-60128 Plailly

☎ +33 3 44633500

📠 +33 3 44633518

Commercial : info@dometic.fr

SAV/Technique : service@dometic.fr

**GERMANY****Dometic WAECO International GmbH**

Hollerfeldstraße 63

D-48282 Emsdetten

☎ +49 (0) 2572 879-195

📠 +49 (0) 2572 879-322

Mail: info@dometic-waeco.de

**HONG KONG****WAECO Impex Ltd.**

Suites 2207-2211 · 22/F · Tower 1

The Gateway · 25 Canton Road,

Tsim Sha Tsui · Kowloon

☎ +852 24611386

📠 +852 24665553

Mail: info@dometic-waeco.com.hk

**HUNGARY****Dometic Plc. Sales Office**

Kerékgyártó u. 5.

H-1147 Budapest

☎ +36 1 468 4400

📠 +36 1 468 4401

Mail: budapest@dometic.hu

**ITALY****Dometic Italy S.r.l.**

Via Virgilio, 3

I-47100 Forlì

☎ +39 0543 754901

📠 +39 0543 756631

Mail: info@dometic.it

**NORWAY****Dometic Norway AS**

Skolmar 24

N-3232 Sandefjord

☎ +47 33428450

📠 +47 33428459

Mail: firmapost@waeco.no

**POLAND****Dometic Poland Sp. z o.o.**

Ul. Puławska 435A

02-801 Warszawa

☎ +48 22 414 32 00

📠 +48 22 414 32 01

Mail: info@dometic.pl

**RUSSIA****Dometic RUS LLC**

Komsomolskaya square 6-1

107140 Moscow

☎ +7 495 780 79 39

📠 +7 495 916 56 53

Mail: info@dometic.ru

**SLOVAKIA****Dometic Slovakia Sales Office Bratislava**

Nádražná 34/A

SK-900 28 Ivanka pri Dunaji

☎/📠 +421 2 45 529 680

Mail: bratislava@dometic.com

**SPAIN****Dometic Spain S.L.**

Avda. Sierra del Guadarrama, 16

E-28691 Villanueva de la Cañada

Madrid

☎ +34 902 111 042

📠 +34 900 100 245

Mail: info@dometic.es

**SWEDEN****Dometic Scandinavia AB**

Gustaf Melins gata 7

S-42131 Västra Frölunda (Göteborg)

☎ +46 31 7341100

📠 +46 31 7341101

Mail: info@waeco.se

**SWITZERLAND****Dometic Switzerland AG**

Riedackerstrasse 7a

CH-8153 Rümlang (Zürich)

☎ +41 44 8187171

📠 +41 44 8187191

Mail: info@dometic-waeco.ch

**TAIWAN****WAECO Impex Ltd.**

Taipei Office

9F.-10, No. 1180, Zhongzheng Rd.,

Zhonghe Dist., New Taipei City 23586

☎ +886 2 22237225

📠 +886 2 81926742

Mail: marketing@waeco.com.tw

**UNITED KINGDOM****Dometic UK Ltd.**

Dometic House · The Brewery

Blandford St. Mary

Dorset DT11 9LS

☎ +44 844 626 0133

📠 +44 844 626 0143

Mail: sales@dometic.co.uk

**UNITED ARAB EMIRATES****Dometic Middle East FZCO**

P. O. Box 17860

S-D 6, Jebel Ali Freezone

Dubai

☎ +971 4 883 3858

📠 +971 4 883 3868

Mail: info@dometic.ae

**UNITED STATES OF AMERICA****Dometic Marine Division**

2000 N. Andrews Ave. Extension

Pompano Beach, FL 33069 USA

☎ +1 954 973 2477

📠 +1 954 979 4414

Mail: marinesales@dometicusa.com