

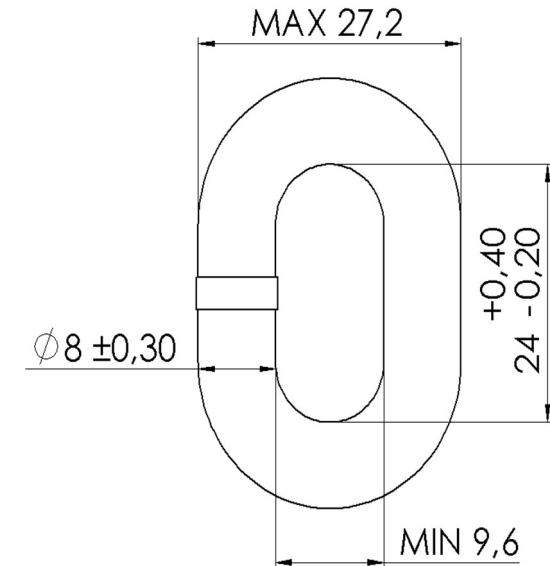
DICHIARAZIONE DI CONFORMITA' / DECLARATION OF COMPLIANCE -In Accordance to EN 10204, Type 3.1

Client –

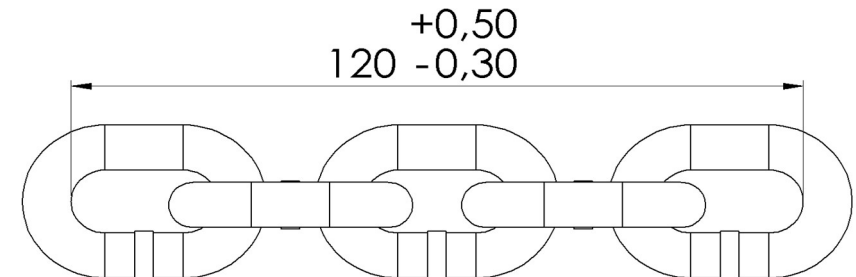
DDT:

Date:

Measurement/Misura (mm)	8 x 24 x 27,2
Code/Codice	S7D6080C23BZFMA
Material/Materiale	C23B
Grade/Grado	70
Dimensions reference norm/Norma per dimensioni	CAT.DIN 766
Hardness/ Durezza	HV 410 – 440
Detected Breaking load /Carico di Rottura rilevato	70 Kn
MF standard Working load /Carico di Lavoro da tabella	18 Kn
Solid zinc galvanization Spacer thickness/Spessore (microns)	90 ± 10μ



Length over 5 Chain Links



**Delivered products are in Compliance with the requirements of your order*

ORIGIN OF GOODS: ITALY

CHEMICAL ANALYSIS

Method: Optical Emission Spectrometer

Material/Materiale: C23B

Standard/Norma: ISO 10263-4

Dimension/Dimensione: 8 x 24 x 27,2

Analisi Chimica / Chemical Analysis %											
Ele.	C	Mn	Si	P	S	Cu	Cr	Mo	Al	B	Ni
%	0.21	0.96	0.092	0.010	0.006	0.049	0.052	0.014	0.03	0.005	0.037
Min	0.17	0.90							0.02	0.0008	
Max	0.24	1.2	0.4	0.03	0.03	0.25	0.3	0.03	0.05	0.005	0.1

Caratteristiche Meccaniche / Mechanical Properties			
Snervamento / Yield Point N/mm ²	Rottura / Tensile Strength N/mm ²	Allungamento / Elongation A5%	Strizione / Striction Z%
	527		69

CQ Manager