

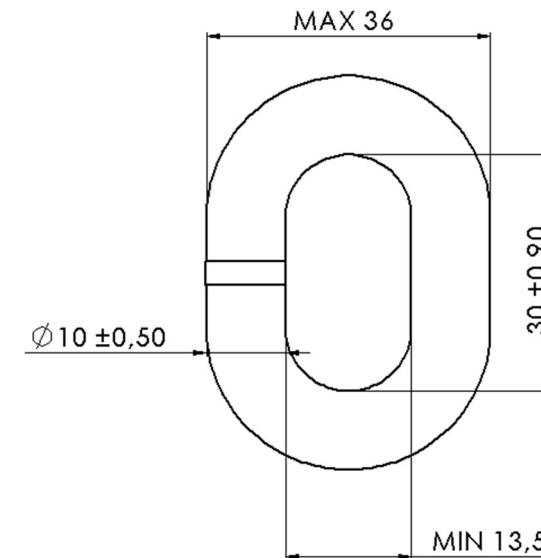
**DICHIARAZIONE DI CONFORMITA' / DECLARATION OF COMPLIANCE -In Accordance to EN 10204, Type 3.1**

Client –

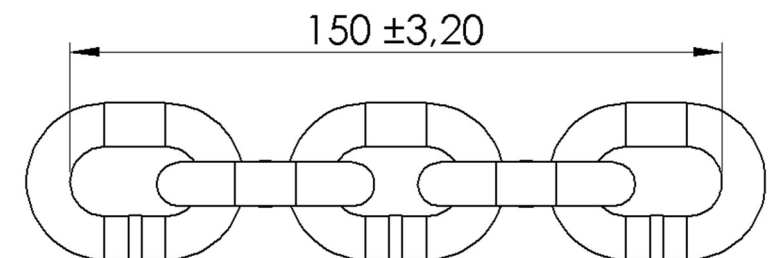
DDT:

Date:

<b>Measurement/Misura (mm)</b>	10 x 30 x 36
<b>Code/Codice</b>	S7I5100C23BZFMA
<b>Material/Materiale</b>	23 MNB4
<b>Dimensions reference norm/Norma per dimensioni</b>	CAT.ISO 4565
<b>Grade/Grado</b>	70
<b>Hardness/ Durezza (HV 0.3)</b>	410 – 440 (42 – 44 HRC)
<b>Detected Breaking load /Carico di Rottura rilevato</b>	103 Kn (Min)
<b>MF standard Working load /Carico di Lavoro da tabella</b>	26 Kn
<b>Solid zinc galvanization Spacer thickness/Spessore (microns)</b>	90±10μ



*Length over 5 Chain Links*



*\*Delivered products are in Compliance with the requirements of your order*

**ORIGIN OF GOODS: ITALY**

## CHEMICAL ANALYSIS

Method: Optical Emission Spectrometer

Material/Materiale: 23 MNB4

Standard/Norma: EN 10263-4

Dimension/Dimensione: 10 x 30 x 36

Analisi Chimica / Chemical Analysis %											
Ele.	C	Mn	Si	P	S	Cu	Cr	Mo	Al	B	Ni
%	0.21	0.96	0.092	0.010	0.006	0.049	0.052	0.014	0.03	0.005	0.037
Min	0.17	0.90							0.02	0.0008	
Max	0.24	1.2	0.4	0.03	0.03	0.25	0.3	0.03	0.05	0.005	0.1

Caratteristiche Meccaniche / Mechanical Properties			
Snervamento / Yield Point N/mm <sup>2</sup>	Rottura / Tensile Strength N/mm <sup>2</sup>	Allungamento / Elongation A5%	Strizione / Striction Z%
	527		69

*QC Manager*