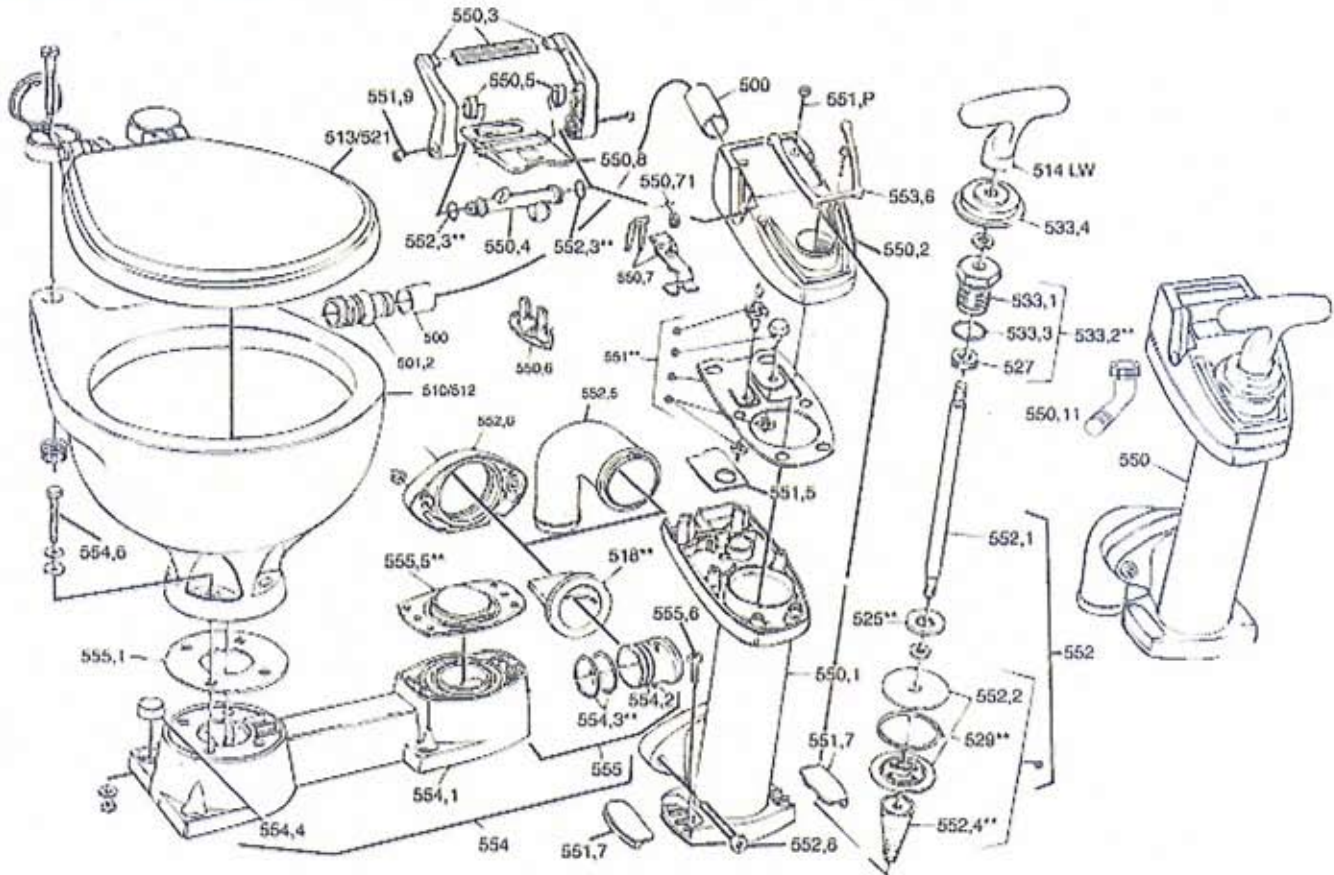


MARINE TOILET SEALOCK

Technical specifications



| Partno. | Description |
|---------|-------------------------------------|
| 501.2 | Hose bowl connection |
| 510 | Bowl plug |
| 512 | Bowl, household type |
| 513 | Seat and cover standard, plastic |
| 514 | Handle white or red |
| 518** | Check valve |
| 521 | Seat and cover standard, type wood |
| 525** | Ring |
| 532 | Seat and cover household, type wood |
| 533.2** | Shaft seal |
| 533.4 | Handle cover |
| 550 | Complete pump |
| 550.1 | Pump housing |
| 550.2 | Valve cover |
| 550.3 | Lever |
| 550.4 | Shaft for lever |
| 550.6 | Blocking ring |
| 550.7 | Spring for top valve |
| 550.8 | Position indicator |
| 550.11 | Inlet hose connector |
| 551** | Inlet valve |
| 551.5 | Valve plate |
| 551.7 | Screw caps |
| 552 | Piston rod with piston |
| 529** | Piston ring |
| 552.3** | O-ring for lever |
| 552.4** | Blocking cone |
| 552.6 | Discharge flange |
| 553.6 | Topscrew cover |
| 554 | Base, complete |
| 554.3** | O-ring drainplug |
| 554.4 | Boltcover |
| 554.6 | Bolts for bowl |
| 555 | Drain plug complete |
| 555.1 | Bowl gasket |
| 555.5** | Outlet valve |
| 555.6 | Screws for pump |
| 560** | Repairkit |

SWIB

Sizes standard

Sizes household

