



SmartFind S20 AIS MOB Device

The revolutionary new SmartFind S20 is a personal AIS MOB device, designed to assist in survivor recovery. It is lightweight and compact and intended to be carried by all crew members.



SmartFind S20

The SmartFind S20 has been specifically designed as a personal AIS search and rescue locating device to quickly and efficiently locate and retrieve a missing crew member. It is compatible with many existing AIS enabled chart plotters and onboard navigation systems providing a reliable and cost effective solution for crew safety.

SmartFind S20 transmits target survivor information, including GPS position information and a serialised identity number. An inbuilt high precision GPS receiver provides accurate position information to assist in quick recovery of survivors.

SmartFind S20 will transmit continuously for a minimum of 24 hours and has a 7 year battery storage life. It also features a flashing LED indicator light to aid detection at night and a self test facility with battery use indication.

Carrying a SmartFind S20 is a must for every safety-conscious sailor.

- Provides accurate position information to assist fast recovery of individuals in difficulty at sea
- Transmits GPS target tracking information over AIS
- Compatible with AIS enabled plotters and onboard navigation systems[†] to assist fast location and retrieval
- Compact and lightweight, can be mounted on a lifejacket
- TX ID and position report transmitted every minute
- Flashing LED and buzzer
- Minimum 24 hour continuous operation
- 7 year battery life
- First MOB transmission typically after 15 seconds*
- Waterproof

[†] For use with AIS enabled plotters, contact your plotter manufacturer for further info.

* With GPS position when it's available.

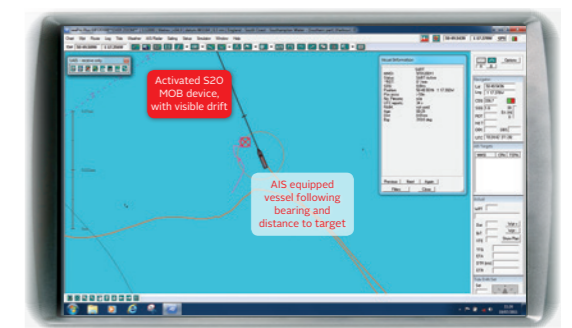


Can be used in conjunction with the McMurdo SmartFind M5 AIS Class A**

**and any AIS SART Alarm

How SmartFind S20 works

- S20 is activated in an emergency crew recovery situation
- An alert message is transmitted to all AIS receivers and AIS enabled chart plotters within a 4 mile radius (typical)
- An AIS SART alert icon (pictured right) marks the survivors location
- Precise target survivor information including GPS position become viewable when the chart plotter[†] cursor is positioned over the icon
- Provides exact location, distance and bearing to locate person (s) in need of assistance



*Image shown is Euronav Software

As personal AIS MOB devices are still very new, not all small-craft chart plotters with AIS show the correct icon ⊗ as recommended by the IMO. At the very least, they will show the same icon as used for other craft – normally an arrow. In addition, user settings generally allow you to configure the display to show the TX ID number, which in the S20 always begins with 972. This way you can differentiate the S20 from other vessels.

All new ECDIS plotters (on ships over 300 tonnes) should display the icon ⊗ correctly.

[†] For use with AIS enabled plotters, contact your plotter manufacturer for further info.

Installation and activation

The SmartFind S20 can be carried in its belt pouch or mounted on a lifejacket using the clips provided, prior to going to sea. When it is installed in the lifejacket the orange safety tab is released, which 'arms' the S20 ready for use. To use, first inflate the lifejacket. When it is inflated, pull the orange tab downwards to pull the red cap off the S20. This will deploy the antenna and automatically switch ON the S20.



Easy activation – just slide off the orange arming tab, then pull off the red activation cap



SmartFind S20 AIS MOB Device Specifications

ENVIRONMENTAL

Exterior finish	Hi impact ABS/PC Orange
Sealing depth	Immersion to 5m (16.4ft)
Operating temperature	-20°C to +55°C (-4°F to +131°F)
Storage temperature	-30°C to +70°C (-22°F to +158°F)

BATTERY

Type	6V Lithium metal
Replacement	By service centre
Use	Logged by microcontroller

OPERATION

Activation	Manual two stage
Self test (short)	Battery use indication
GPS Self test (long)	MOB TEST transmission with GPS position

TRANSPORTATION

Air cargo	IATA UN 3091, not restricted
-----------	------------------------------

ELECTRICAL

AIS Transmitter

Frequency	AIS channel 1- 161.975 MHz, AIS channel 2 - 162.025 MHz
Power	2W nominal
Transmit antenna	Sprung whip
AIS messages transmitted	Message 1 (TX ID, GPS position, SOG, COG, UTC) Message 14 (MOB ACTIVE or MOB TEST)

TX ID number

Factory programmed

GPS receiver

GPS type	50 channel
Antenna type	Ceramic patch
GPS position update	Every minute

PHYSICAL

Size (D x W x L)	27 x 47 x 124mm (1.1" x 1.6" x 4.7")
Weight	120g (4.23 oz)

Deployment

Hands free	Webbing clip
Hand held	Security lanyard

FUNCTIONAL

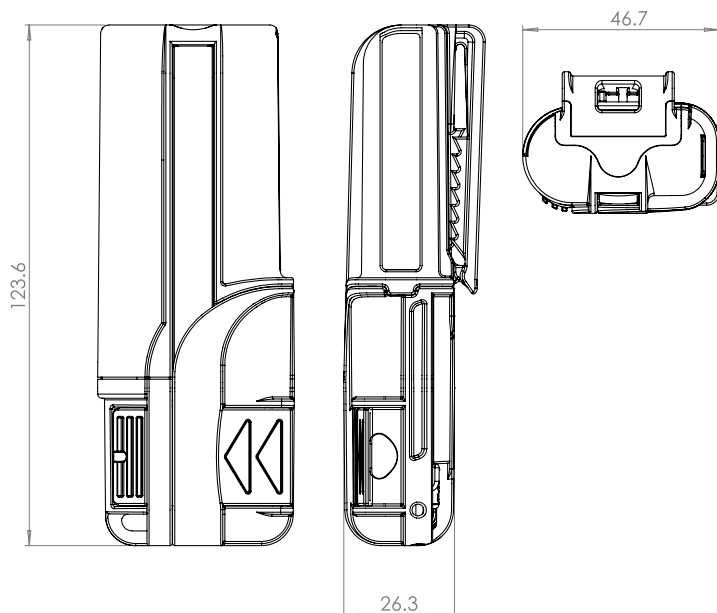
First transmission	After 18 seconds (no GPS)
Range	4 nautical miles (typical)
Secondary location device and status indicator	Flashing white LED

STANDARDS APPLIED

(App. Parts of) IEC 61097-14, 60945 (environmental EMC), 61108 parts 1, ITU-R M.1371

PART NUMBER

SmartFind S20 AIS MOB Device retail pack	98-001-002A
--	-------------



info@mcmurdogroup.com

www.mcmurdogroup.com

Service & Support

For service and support, please contact your local distributor or service agent by visiting <http://www.mcmurdomarine.com/find-a-service-centre>



McMurdo Group – The industry's first end-to-end life-saving and tracking solutions provider
Distress Beacons • Satellite Connectivity Infrastructure • Monitoring/Positioning Software • Emergency Response Management