

## Ray90/91 handbook errata sheet

### Handbook Errata

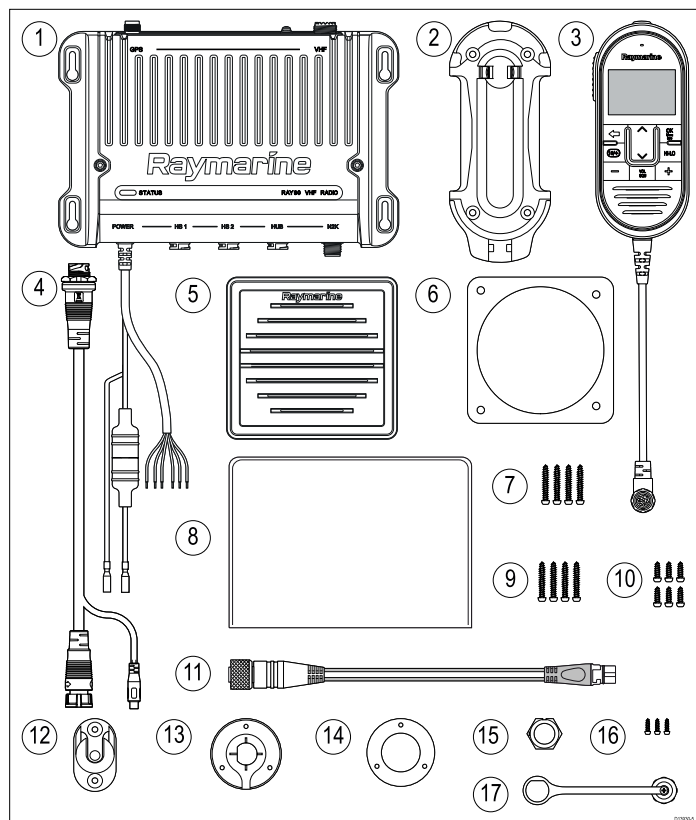
The Installation and operation instructions (81377-1) supplied with your product, contains the following errata:

- Page 16 — Item 11 in the parts supplied list (Para 2.7) shows the SeaTalkng® to DeviceNet dongle type adaptor, however your unit is supplied with the 1 m (3.28 ft) SeaTalkng® to DeviceNet adaptor cable.
- Page 16 — Items 12 to 17 listed in the parts supplied below were omitted from original the parts supplied list shown in Para 2.7.
- Page 16 — There are additional parts supplied, that are needed when installing the base station on metal structure, please refer to 82385 for instructions.
- Page 35 — Item 4 of the Homescreen overview (Para 5.3) details the 'a' and 'b' suffix used on some simplex channels. The Ray90/Ray91 adheres to the new 4 digit channel naming convention and so the channel suffix are no longer used. These channels are now prefixed with '10' or '20'.
- Page 35 — The Transmit and Receive symbols that are displayed in the Status bar symbols table (Para 5.3) have been replaced with new symbols.
- Page 35 — The Hi/Low Battery warning symbols that are displayed in the Status bar symbols table (Para 5.3) have been removed. These symbols are not shown in the status bar, the warnings they represent are displayed fullscreen.

Please see below for updated sections with the errata corrected.

### Parts supplied

The following parts are supplied with your product. Please ensure your box contents are correct before proceeding with the installation.

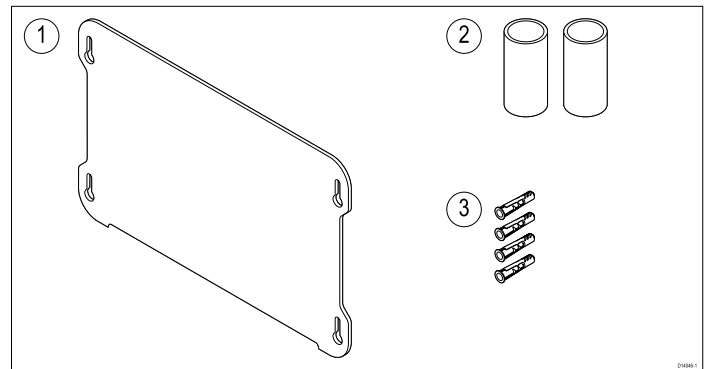


- Ray90 / Ray91 VHF DSC Radio base station (including fitted power and data cable).

- Wired handset holster.
- Wired handset.
- Wired handset adaptor cable with RCA Audio 400 mm (1.3 ft).
- Passive speaker and bezel.
- Passive speaker mounting gasket.
- Passive speaker mounting screws x 4.
- Documentation.
- VHF radio base station mounting screws x 4.
- Handset holster and hook plate mounting screws x 6.
- DeviceNet to SeaTalkng® 1 m (3.28 ft) adaptor cable.
- Handset hook plate.
- Through panel cable mounting plate.
- Through panel cable mounting plate gasket.
- Through panel cable mounting nut.
- Through panel cable mounting plate screws x 3.
- Through panel cable mounting dust cap.

### Additional parts supplied

The following additional parts are supplied with your product. These parts are to be used when installing your Ray90 / Ray91 base station on a metal surface.

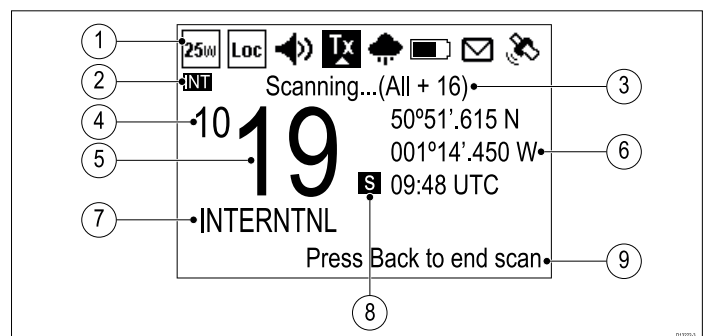


- Insulation sheet (To be fitted between base station and a metal mounting surface).
- Heat shrink tube x 2 (To be fitted over VHF and GNSS (GPS) antenna connections).
- Insulation plugs (To be fitted to mounting holes to insulate fixings screws).

Please refer to document 82385 for specific instructions required when mounting on metal structure.

### Homescreen overview

The information below describes the on-screen characters and symbols which are shown on the Homescreen..







- Status bar** — The status bar displays symbols which indicate the current status of the unit.

2. **Frequency band** — Indicates which channel frequency band is in use:

- USA — United States of America
- INT — International
- CAN — Canada
- WX — Weather

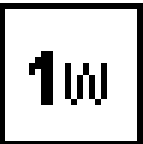

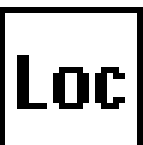
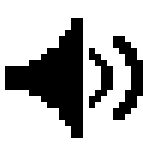
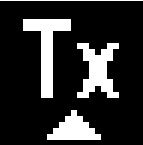
**Note:** Special licensing is required to receive USA and Canadian channel sets.

3. **Status text** — Indicates the current radio mode e.g.: ATIS Mode active, Weather Alert, Scan mode etc.
4. **New 4 digit channels** — Identifies the first 2 digits when the radio is set to one of the new 4 digit simplex channels.
5. **Channel** — Indicates the current channel number, or the last 2 digits when set to a 4 digit channel..
6. **Location / Time** or **Location / COG/SOG** — Depending on selection displays Location coordinates and current time or Location coordinates and current COG and SOG.
7. **Channel Name** — Indicates the name of the current channel.
8. **Channel type** — Indicates the type of channel:
- **s** = Simplex — Simplex channels transmit and receive on the same frequency.
  - **d** = Duplex — Duplex channels use separate frequencies to transmit and receive.
9. **Optional text** — Provides extra user guidance.

Symbol	Name	Description
	Receive	Indicates the radio is currently receiving a transmission
	Weather	Indicates that the weather alerts mode is activated.
	DSC	Indicates that a DSC call has been received
	GPS Fix	Indicates if the radio has a GPS/GNSS fix.

## Status bar symbols

The status bar is used to display symbols that indicate the radio's status.

Symbol	Name	Description
	Low power	Indicates the radio transmitters is in low power (1 watt) or high power (25 watt) mode
	High power	
	Local	Indicates the radio is in local reception mode, which decreases receiver sensitivity in high traffic areas to decrease unwanted reception
	Fog horn	Indicates that the radio is in Fog horn mode.
	Transmit	Indicates the radio is currently transmitting (e.g. the PTT button is being pressed.)