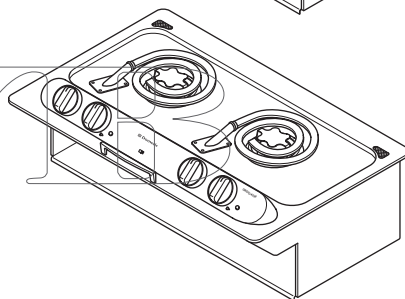
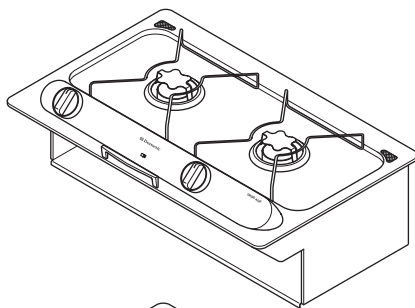
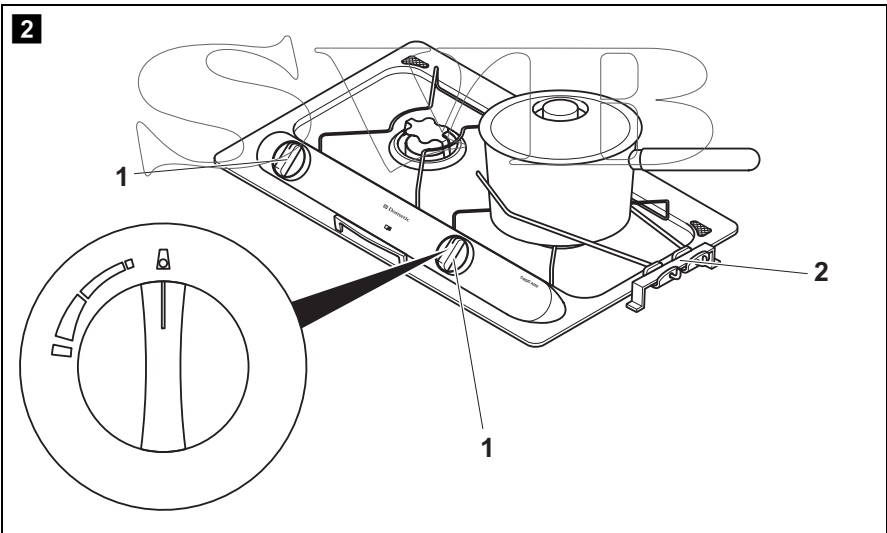
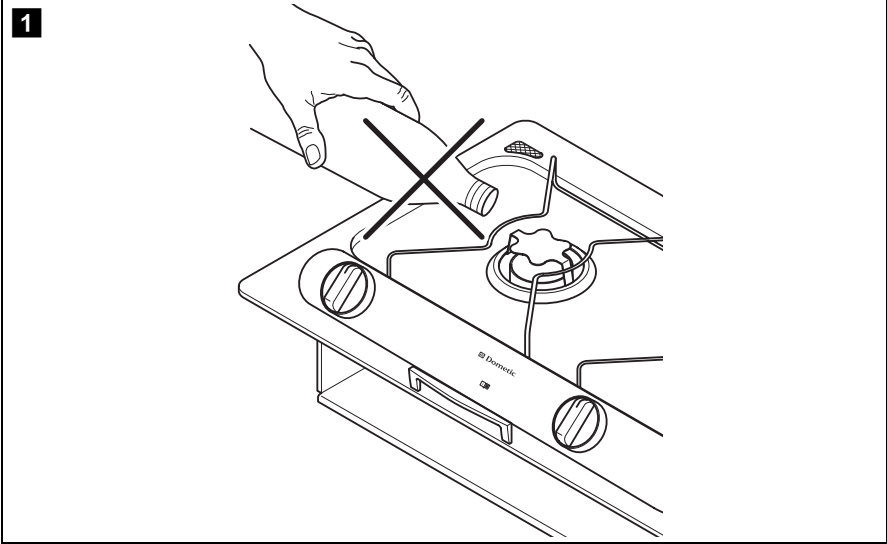


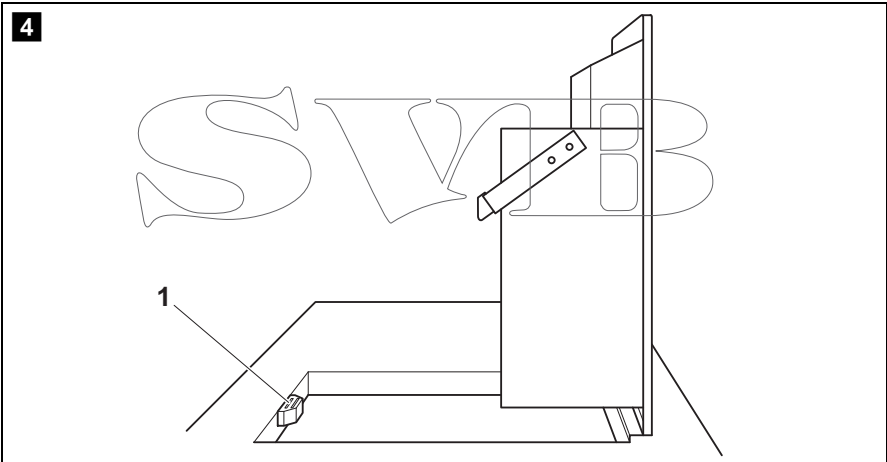
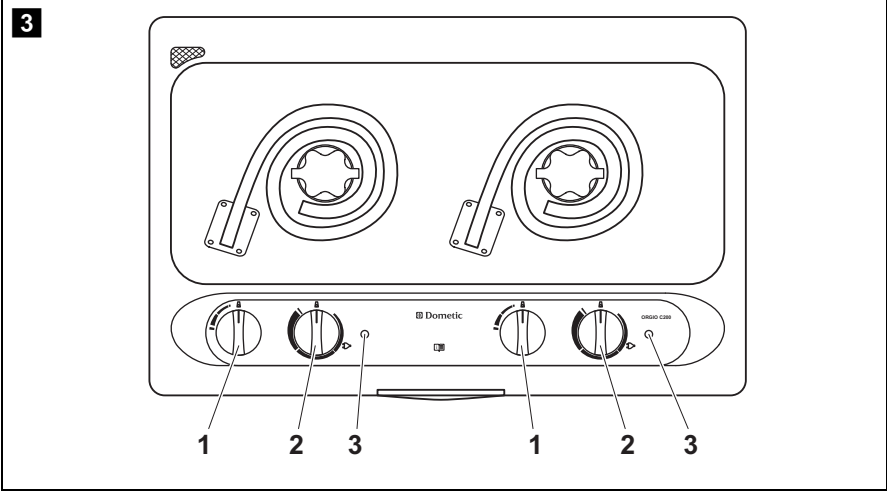
EN	Alcohol and alcohol/electric stoves Operating manual	8
DE	Spirituskocher und Spiritus-/ Elektrokocher Bedienungsanleitung	22
FR	Cuisinières à alcool et à alcool/ électriques Notice d'utilisation	38
ES	Hornillos de alcohol y de alcohol/ eléctricos Instrucciones de uso	54
IT	Fornelli ad alcool e alcool/elettrici Istruzioni per l'uso	70
NL	Spiritus- en spiritus-/elektrische kooktoestellen Gebruiksaanwijzing	86
DA	Spritleger og sprit-/elkoger Betjeningsvejledning	101
SV	Spritlek och sprit-/elkök Bruksanvisning	115
NO	Spritlebrenner og sprit-/elektrokoker Bruksanvisning	129
FI	Sprii- ja sprii-/sähkökeitin Käyttöohje	143
RU	Спиртовая и спирто- электрическая плита Инструкция по эксплуатации.	157
PL	Kuchenka spirytusowa i kuchenka spirytusowa/elektryczna Instrukcja obsługi.	173

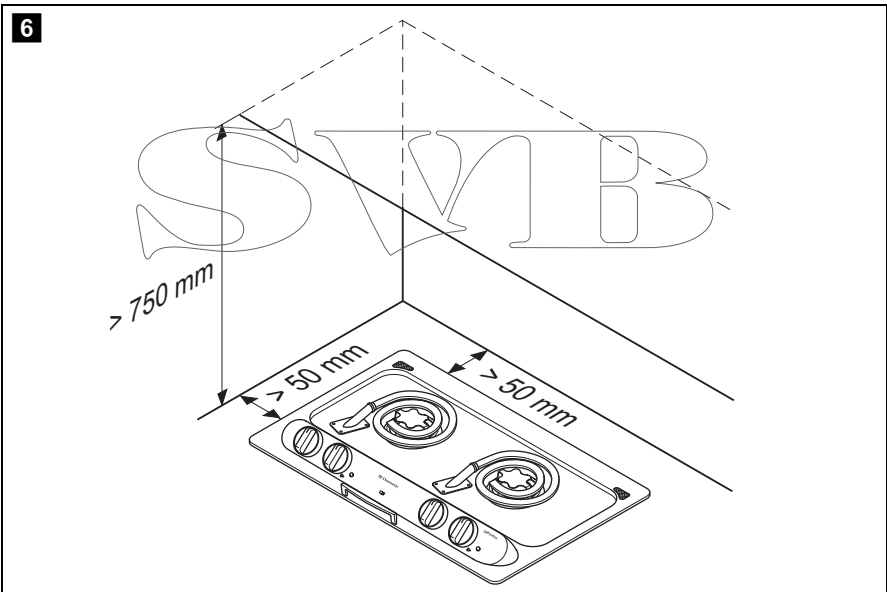
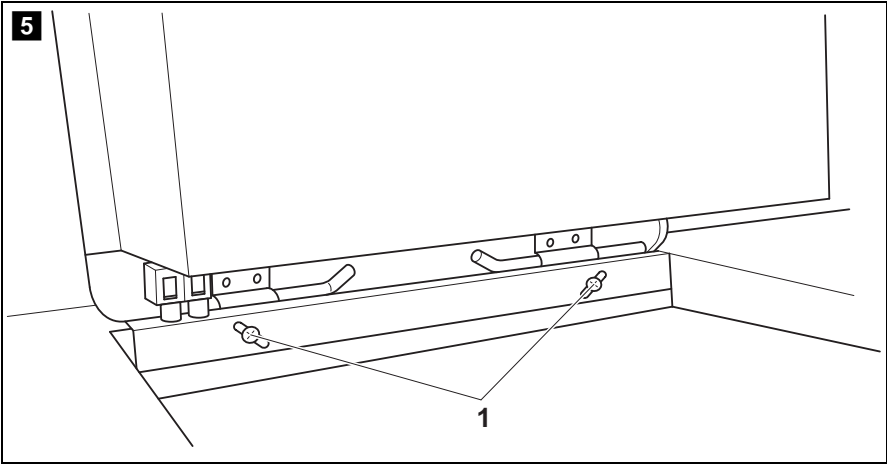


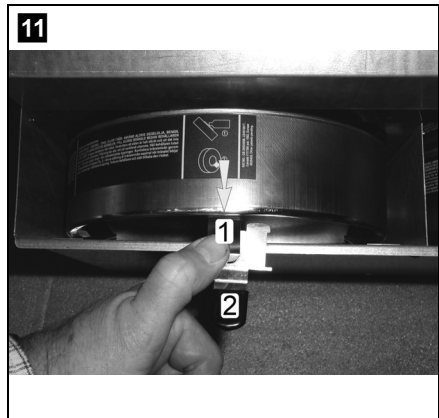
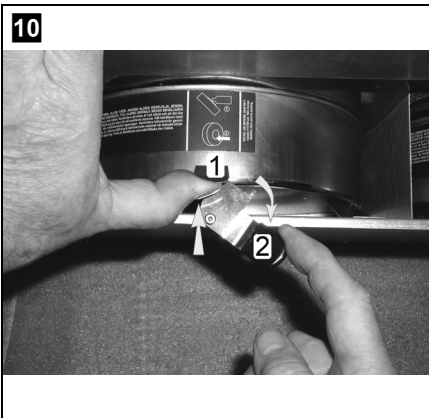
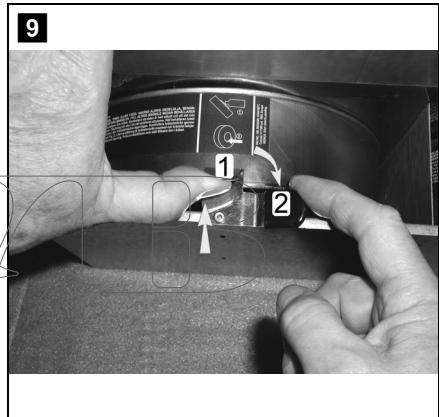
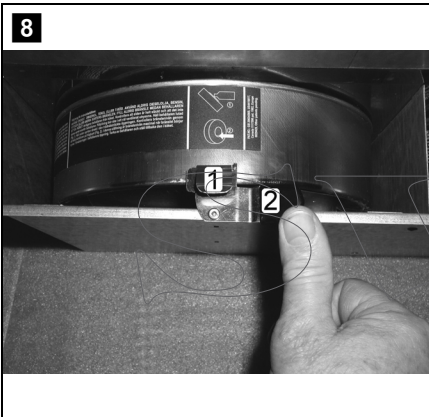
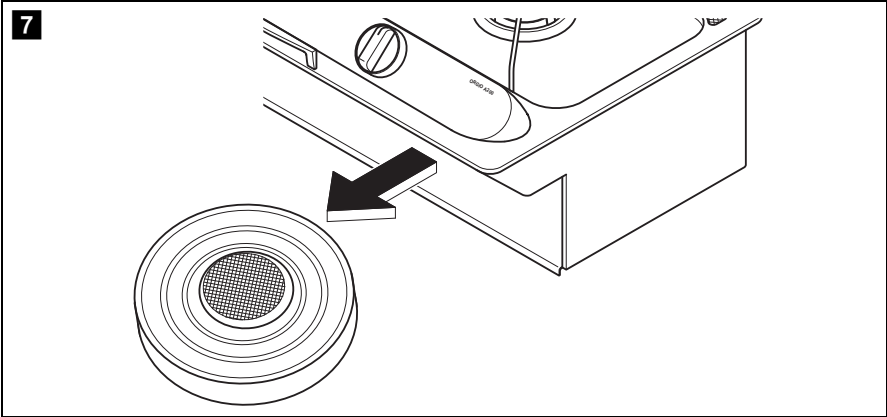
ORIGO A100 ORIGO A200 ORIGO C100 ORIGO C200

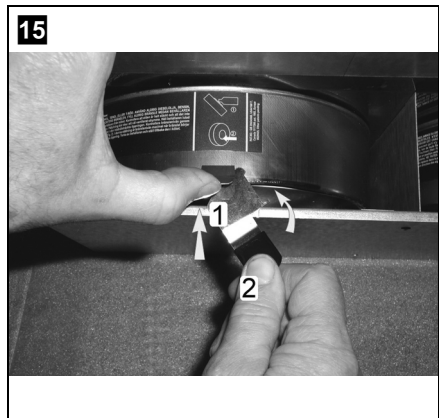
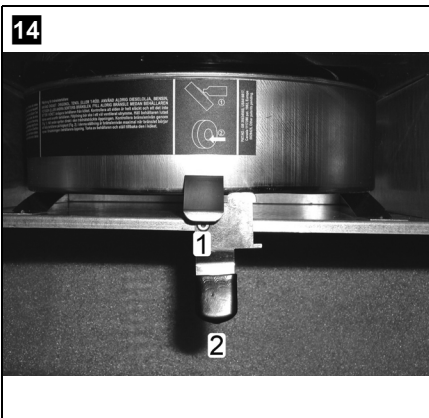
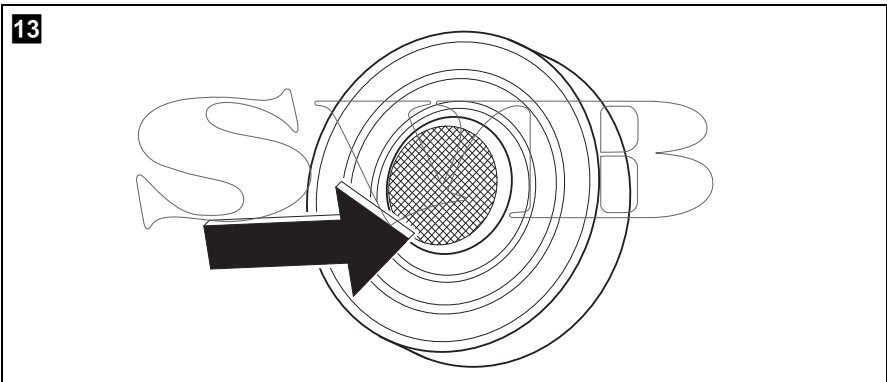
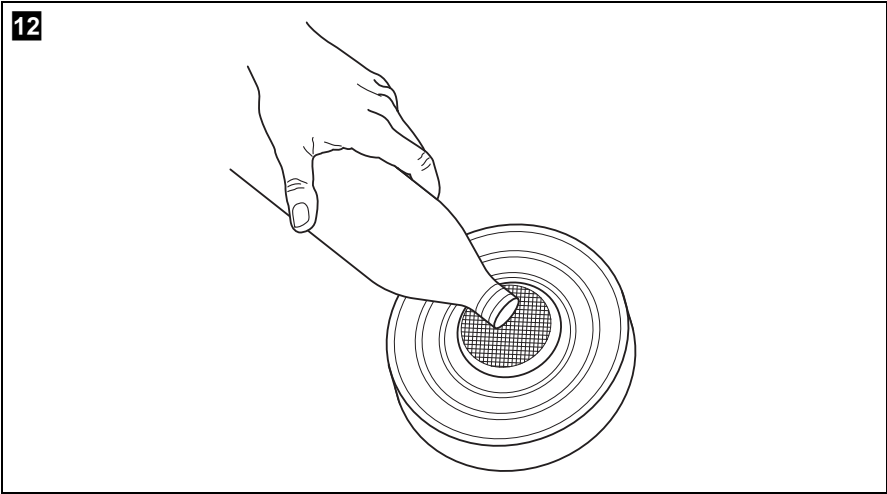
CS	Lihový vaříč a lihový/elektrický vaříč Návod k obsluze.	188
SK	Liehové variče a liehovo-elektrické variče Návod na obsluhu.	202



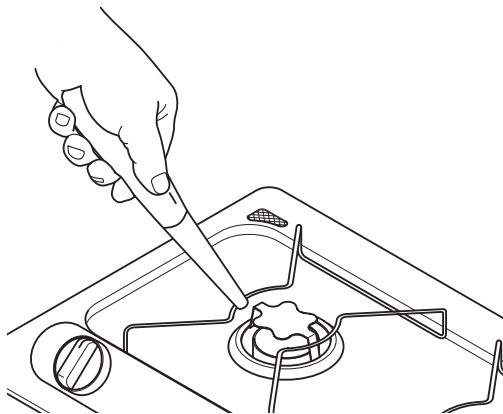








16



SVIB

Please read this instruction manual carefully before first use, and store it in a safe place. If you pass on the product to another person, hand over this instruction manual along with it.

Table of contents

1	Explanation of symbols	9
2	General safety instructions	9
3	Scope of delivery	13
4	Accessories	13
5	Intended use	13
6	Technical description	13
7	Mounting the stove	15
8	Using the stove	17
9	Cleaning and maintaining the stove	20
10	Guarantee	20
11	Disposal	20
12	Technical data	21

1 Explanation of symbols

**WARNING!**

Safety instruction: Failure to observe this instruction can cause fatal or serious injury.

**CAUTION!**

Safety instruction: Failure to observe this instruction can lead to injury.

**NOTICE!**

Failure to observe this instruction can cause material damage and impair the function of the product.

**NOTE**

Supplementary information for operating the product.

- **Action:** This symbol indicates that action is required on your part. The required action is described step-by-step.
- ✓ This symbol describes the result of an action.

fig. 1 5, page 3: This refers to an element in an illustration. In this case, item 5 in figure 1 on page 3.

2 General safety instructions

The manufacturer accepts no liability for damage in the following cases:

- Damage to the product resulting from mechanical influences and excess voltage
- Alterations to the product without express permission from the manufacturer
- Use for purposes other than those described in the operating manual

Please observe the following basic safety information when using electrical devices to protect against:

- Electric shock
- Fire hazards
- Injury

2.1 General safety



WARNING!

- Use denatured alcohol only. Do **not** use other fuels such as gasoline, diesel, methanol, propane or charcoal lighter.
- **Danger of asphyxiation!**
Before starting the device, ensure that the area is sufficiently ventilated.
- Place a class A fire extinguisher (for alcohol fires) in reaching distance.
Ensure the fire extinguisher is regularly checked by qualified personnel.
- Persons whose physical, sensory or mental capacities prevent them from using this device safely should not operate it without the supervision of a responsible adult.
- **Electric devices are not toys**
Keep electrical appliances out of reach of children or infirm persons. Do not let them use the appliances without supervision.



NOTICE!

- Use the stove only as intended.

Dometic ORIGO alcohol/electric stoves C100 and C200 only



WARNING!

- Place a class B-1 fire extinguisher (for electric fires) in reaching distance.
Ensure the fire extinguisher is regularly checked by qualified personnel.
- Always disconnect the power supply when working on the device.

- Maintenance and repair work may only be carried out by qualified personnel who are familiar with the risks involved and the relevant regulations.
- If the connection cable is damaged, it must be replaced by qualified personnel.
Inadequate repairs can lead to considerable hazards.
- If the stove is not fitted with an accessible plug, all pole disconnection must be incorporated in the fixed wiring.
- Inform yourself how to power-off the circuit breaker or the fuse in the event of an emergency.

2.2 Safety precautions when handling denatured alcohol



WARNING!

- Keep inflammable substances apart from heating and cooking devices and other light and heat sources.
- Store alcohol in suitable containers only and in sufficient distance from the stove.
- Eliminate all sources of sparks or flames where the alcohol is stored or filled-in.
- Never fill the canisters while still in the stove. Never pour fuel through the burner openings in top of the stove (fig. 1, page 2).
- Overfilling, spilt alcohol and hot objects can cause severe burns.
- Denatured alcohol burns with almost invisible flame, so great damage can arise before you notice the danger.



NOTICE!

- Mop up any spilt alcohol immediately to prevent uncontrollable burning.
- Do not smoke when handling alcohol or when operating the stove.
- Fill the canister to the maximum capacity only. Alcohol expands in the canister when heated. Overfilled alcohol can cause uncontrollable burning inside the stove.

2.3 Operating the device safely



WARNING!

- Use long matches or long lighters to light the burner. Quickly remove your hand as soon as the burner ignites.
- Wear proper clothing when operating the stove. Do not wear hanging garments which can catch fire.



NOTICE!

- Let the stove cool down to ambient temperature before you touch it with bare hands.
- Keep the area surrounding the stove and interior parts free of grease, fat, alcoholic substances, plastic or inflammable cloths (for instance curtains, towels, kitchen utensils).
- Use only pots and pans with flat bottoms and with a maximum diameter of 23 cm (9"). The pots and pans should be large enough to cover the heating element. The use of undersized utensils will expose a portion of the heating element to direct contact and may result in ignition of clothing. Proper sized utensils will also improve efficiency.
- When cooking ensure that pans and pots are securely in position. Recommended is the use of pot holders (fig. **2** 2, page 2, **accessory**).
- Never allow pot handles to extend beyond the edge of the stove. Turn pot handles inward, but not extending over other burners. This will minimize the possibility of spillage, ignition of flammable materials and/or serious burns.
- Be careful when heating grease or oil. Grease and oil catch fire when exposed to great heat.
- Use only dry pot cloths to prevent the formation of steam. Do not use towels or the like instead of pot cloths as these can catch fire.
- Never leave the stove unattended when cooking. Pots boiling over can cause smoke and fires.
- Move the burner control (fig. **2** 1, page 2) to the off position before removing the pot.
- Do not use the stove to heat the environment.

- **Dometic Origo C100 and C200 only:** Never use alcohol and electrical burners simultaneously to prevent overheating which can destroy the heating element.
- **Dometic Origo C100 and C200 only:** Operating electrical burners at a high setting without a filled pot can damage the stove.

3 Scope of delivery

- Stove
- Operating Manual

4 Accessories

Description	Item no.			
	A100	A200	C100	C200
Glass Lid	9103303992	9103303991	9103303992	9103303991
Pot Holder	9103303982		9103303982	
Canister	9103303993		9103303993	

5 Intended use

The Dometic ORIGO stoves are designed for use in vehicles or boats.

6 Technical description

6.1 Function

The stove is made of stainless steel and uses the absorption principle. The canister has a capacity of 1.2 l. Denatured alcohol is used as fuel. The burner can be lit with long matches or a corresponding lighter.

Alcohol is absorbed into a non-flammable material in the canister. It is not equipped with fuel valve or fuel lines, which can develop leaks, or with other such components requiring regular service.

The Dometic ORIGO alcohol/electric stoves C100 and C200 are equipped with a 1200 W (EU) element. They can alternatively be operated with alcohol or 220–240 V.

6.2 Specifications for the device variants

Various stove versions are available.

- **A100 and C100:** single-burner unit
- **A200 and C200:** double-burner unit
- **C100 and C200:** additional heating element for operating with 220–240 V

To define your device see the item number on the type plate located on the right side of the stove.

6.3 Operating elements

Operating elements for operation with denatured alcohol (fig. 2, page 2):

No.	Description
1	Control knob, continuously adjustable Turn counter-clockwise to increase the burner's flame
2	Pot holder (accessory)

Operating elements for operation at 220–240 V mains (fig. 3, page 3) (Dometic ORIGO C100 and C200)

No.	Description
1	Status LED The LED is lit when the electrical power is turned on.
2	Power setting knob Turn clockwise to increase the heating element's power setting

7 Mounting the stove

You can fit the stove into the countertop of your kitchen.

7.1 Selecting the installation location

When selecting the installation location, observe the following instructions:

- Select a well-ventilated location for the device.
- Ensure a minimum distance (fig. **6**, page 4) of
 - 50 mm to side and back walls
 - 750 mm between stove coil element and horizontal surface above the stove
- Avoid draft at the installation location.
If you fit the stove in an open cockpit or other open areas mount an additional wind protection.
- Avoid cabinet storage space above the stove.
Otherwise you risk burns and fire when reaching over the stove.
- Do **not** operate the device in spaces where danger of explosion is present.



7.2 Installing the stove



NOTICE! Danger of damaging the device!

Before drilling any holes, make sure that no electrical cables or other parts of the vehicle can be damaged by drilling, sawing and filing.

- Cut a rectangular hole into the countertop (dimensions see following table):

Model	Dimensions W x D x H
A100	255 x 150 x 340 mm
A200	485 x 150 x 340 mm
C100	255 x 150 x 340 mm
C200	485 x 150 x 340 mm

- Open the top and remove the canisters (see “Taking out the canister” on page 17).
- Open up the hinge part in the back of the stove.

- Place the stove according to fig. **4**, page 3.
- Mark the drill holes.
Use the fastening holes in the hinge as a template.
- Pre-drill the holes into the countertop where marked.
- Fasten the stove by screwing flat head screws through each drill hole in the hinge (fig. **5** 2, page 4).
- Install the magnetic locker in the front of the cutout (fig. **4** 1, page 3).
- Place a class B-1 fire extinguisher in reaching distance.

7.3 Connecting the stove electrically (Dometic ORIGO C100 and C200 only)



WARNING!

The stove may only be connected by a qualified specialist.
The following information is intended for technicians who are familiar with the guidelines and safety precautions to be applied.

Observe the following safety instructions for the electrical connections:



NOTICE! Risk of short circuit!

- Always use sockets which are grounded and secured by residual current circuit breakers.
 - If you have to feed cables through metal walls or other walls with sharp edges, use ducts or tubes to prevent damage.
 - Do not lay cables which are loose or bent next to electrically conductive material (metal).
 - Fasten the cables securely.
 - Do not pull on the cables.
 - Lay the cables so that they cannot be tripped over or damaged.
-
- Check the type plate on the right side of the stove to ensure that the voltage of the unit matches the voltage of the source.
 - Connect the three conductors of the connection cable to the AC mains.
 - Secure the cable with a clamp.

8 Using the stove

8.1 Filling-in denatured alcohol



WARNING!

Never pour fuel through the burner openings in top of the stove (fig. **1**, page 2).

Overfilling, spilt alcohol and hot objects can cause severe burns.

- Ensure all burners are turned off:
 - operation with denatured alcohol: turn the control knob to the Off position
 - operation at 220–240 V mains (**C100 and C200 only**): switch heating elements off
- Ensure the stove is cooled down to room temperature.
- Open the stovetop (fig. **7**, page 5).

Taking out the canister

In operating mode, the flexible catch (fig. **8** 1, page 5) is locked in the cutout on the safety lever (fig. **8** 2, page 5).

- To release the fuel tank, push the catch (fig. **9** 1, page 5) in the direction of the arrow and turn the lever (fig. **9** 2, page 5) clockwise (fig. **10**, page 5).
- When the catch (fig. **11** 1, page 5) is vertical, push it in the direction of the arrow.
- ✓ The canister is released.
- Take out the canister.

Filling with denatured alcohol

- Check canister opening ensuring there's neither fire nor glow.
- Make sure the canister is cool enough to be held in your bare hand before filling.
- Hold the canister tilted down (fig. **12**, page 6).
- Fill the denatured alcohol through the wire mesh into the opening of the canisters.
The maximum capacity per canister must not exceed 1.2 l.

- Check the fuel level by tilting the canister vertically (fig. **13**, page 6).

Keep it in this position for 20 s, to make sure it's not overfilled. In addition, in the case of accidental overfilling you can get rid of the surplus fuel.

- ✓ The maximum fuel level is reached when the fuel is visible at the bottom of the opening.



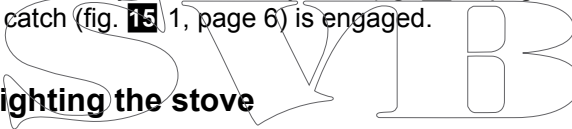
NOTE

The stove will operate even if the canister isn't filled with the maximum capacity.

- Wipe possible spilt alcohol off the outside of the canister.

Inserting the canister

- Push the canister into the stove as far as it will go so that it is locked by the catch (fig. **14** 1, page 6).
- To secure the catch (fig. **15** 1, page 6), push it in the direction of the arrow and simultaneously turn the safety lever (fig. **15** 2, page 6) anti-clockwise until the catch (fig. **15** 1, page 6) is engaged.



8.2 Lighting the stove



CAUTION!

Use extra-long matches or an extra-long lighter for lighting. Remove your hand quickly as soon as the burner is lit.

- Turn the controller up.
- ✓ The burner is opened.
- Light the cooker by holding an extra-long match or extra-long lighter to the burner opening (fig. **16**, page 7).
- Adjust the flame so it does not extend beyond the edge of the pot.
- Choose the desired power setting via control knob.



NOTE

If the stove hasn't cooled down from previous use, the burner may ignite but immediately extinguish. In this case blow air into the burner opening to dissipate vapour. Afterwards light the stove as described above.

8.3 Extinguish the flame

- ▶ Turn the control knob to the Off position.
- ✓ The burner is closed.
- ▶ Wait about five seconds.
- ▶ Turn the control knob to the Maximum position to make sure the flame is extinguished.
- ✓ The burner is open.
- ▶ Turn the control knob to the Off position.
- ✓ The burner is closed.
- ▶ If applicable, wait until the stove has cooled down completely before replacing the glass lid (**accessory**).

8.4 Using the heating element (Dometic ORIGO C100 and C200 only)

**NOTICE!**

Never use alcohol and electrical burners simultaneously to prevent overheating which can destroy the heating element.

- ▶ If applicable, lift the glass lid (**accessory**).
- ▶ To **switch on** the heating element push and turn the power setting knob clockwise.
- ▶ Choose the desired power.
- ▶ To **switch off** the heating element turn the power setting knob to the Off position.
- ▶ Let the element cool down completely, before you close the glass lid (**accessory**) or touch the stove top or let flammable material contact the stove top.

9 Cleaning and maintaining the stove

**NOTICE!**

Do not use any sharp or hard objects for cleaning since they may damage the device.

- ▶ Remove the grate from the stovetop.
- ▶ Clean the stovetop. In particular remove carefully sticky grease and oil.
- ▶ **C100 and C200 only:** Lift the heating element until you feel a resistance. Clean the stove underneath the heating element.
- ▶ Never use a steam cleaner for cleaning the stove.

10 Guarantee

The statutory warranty period applies. If the product is defective, please contact your retailer or the manufacturer's branch in your country (see the back of the instruction manual for the addresses).

For repair and guarantee processing, please include the following documents when you send in the device:

- A copy of the receipt with purchasing date
- A reason for the claim or description of the fault

11 Disposal

- ▶ Place the packaging material in the appropriate recycling waste bins wherever possible.



If you wish to finally dispose of the product, ask your local recycling centre or specialist dealer for details about how to do this in accordance with the applicable disposal regulations.

12 Technical data

	Dometic ORIGO stove	
	A100	A200
Item no.:	9103303935	9103303937
Number of burners:	1	2
Burning duration:	approx. 4.5 h	
Power of burner:	2000 W	
Cooking time for 1 l water:	10 min	
Canister capacity:	1.2 l	
Dimensions (W x H x D):	270 x 160 x 365 mm	500 x 160 x 365 mm
Weight:	3,5 kg	7 kg

	Dometic ORIGO stove	
	C100	C200
Item no.:	9103303939	9103303941
Number of burners:	1	2
Burning duration:	approx. 4.5 h	
Power of burner:	2000 W	
Supply voltage:	220–240 V	
Power of heating element:	1200 W / element	
Cooking time for 1 l water:	10 min	
Canister capacity:	1,2 l	
Dimensions (W x H x D):	270 x 160 x 365 mm	500 x 160 x 365 mm
Weight:	3,5 kg	7 kg

Bitte lesen Sie diese Anleitung vor der Inbetriebnahme sorgfältig durch und bewahren Sie sie auf. Geben Sie sie im Falle einer Weitergabe des Produktes an den Nutzer weiter.

Inhalt

1	Erklärung der Symbole	23
2	Allgemeine Sicherheitshinweise	23
3	Lieferumfang	27
4	Zubehör	27
5	Anwendungsbereich	28
6	Technische Beschreibung	28
7	Kocher einbauen	29
8	Kocher verwenden	32
9	Kocher reinigen und warten	35
10	Gewährleistung	35
11	Entsorgung	36
12	Technische Daten	37

1 Erklärung der Symbole

**WARNUNG!**

Sicherheitshinweis: Nichtbeachtung kann zu Tod oder schwerer Verletzung führen.

**VORSICHT!**

Sicherheitshinweis: Nichtbeachtung kann zu Verletzungen führen.

**ACHTUNG!**

Nichtbeachtung kann zu Materialschäden führen und die Funktion des Produktes beeinträchtigen.

**HINWEIS**

Ergänzende Informationen zur Bedienung des Produktes.

- **Handlung:** Dieses Symbol zeigt Ihnen, dass Sie etwas tun müssen. Die erforderlichen Handlungen werden Schritt für Schritt beschrieben.
- ✓ Dieses Symbol beschreibt das Ergebnis einer Handlung.

Abb. 1 5, Seite 3: Diese Angabe weist Sie auf ein Element in einer Abbildung hin, in diesem Beispiel auf „Position 5 in Abbildung 1 auf Seite 3“.

2 Allgemeine Sicherheitshinweise

Der Hersteller übernimmt in folgenden Fällen keine Haftung für Schäden:

- Beschädigungen am Produkt durch mechanische Einflüsse und Überspannungen
- Veränderungen am Produkt ohne ausdrückliche Genehmigung vom Hersteller
- Verwendung für andere als die in der Anleitung beschriebenen Zwecke

Beachten Sie beim Gebrauch von elektrischen Geräten bitte die folgenden grundsätzlichen Sicherheitsmaßnahmen zum Schutz vor:

- elektrischem Schlag
- Brandgefahr
- Verletzungen

2.1 Grundlegende Sicherheit



WARNUNG!

- Verwenden Sie ausschließlich Spiritus. Verwenden Sie **keine** anderen Brennstoffe wie Benzin, Dieselöl, Methan, Propan oder Grillanzünder.
- **Erstickungsgefahr!**
Sorgen Sie vor dem Einschalten des Geräts dafür, dass der Bereich ausreichend belüftet ist.
- Bringen Sie einen Feuerlöscher der Klasse A (für Brände durch Spiritus) in Reichweite an.
Sorgen Sie dafür, dass der Feuerlöscher in regelmäßigen Abständen von einem Fachmann überprüft wird.
- Personen (einschließlich Kinder), die aufgrund ihrer physischen, sensorischen oder geistigen Fähigkeiten oder ihrer Unerfahrenheit oder Unkenntnis nicht in der Lage sind, das Produkt sicher zu benutzen, sollten dieses Produkt nicht ohne Aufsicht oder Anweisung durch eine verantwortliche Person nutzen.
- **Elektrogeräte sind kein Kinderspielzeug**
Halten Sie Kinder und gebrechliche Personen von Elektrogeräten fern. Lassen Sie sie elektrische Geräte nur unter Aufsicht benutzen.



ACHTUNG!

- Benutzen Sie den Kocher nur entsprechend seiner Bestimmung.

Nur Dometic ORIGO Spiritus-/Elektrokocher C100 und C200**WARNUNG!**

- Bringen Sie einen Feuerlöscher der Klasse B-1 (für Brände durch elektrische Ursachen) in Reichweite an. Sorgen Sie dafür, dass der Feuerlöscher in regelmäßigen Abständen von einem Fachmann überprüft wird.
- Unterbrechen Sie bei Arbeiten am Gerät immer die Stromversorgung.
- Wartungs- und Reparaturarbeiten dürfen nur von einer Fachkraft ausgeführt werden, die mit den damit verbundenen Gefahren und den einschlägigen Vorschriften vertraut ist.
- Wenn das Anschlusskabel beschädigt ist, muss es von einem Fachmann ausgetauscht werden. Durch unsachgemäße Reparaturen können erhebliche Gefahren entstehen.
- Wenn der Kocher nicht über einen zugänglichen Stecker verfügt, muss die Festverdrahtung mit einer allpoligen Trennung ausgerüstet sein.
- Informieren Sie sich darüber, wie im Notfall der FI-Schutzschalter abgeschaltet bzw. die Sicherung herausgenommen wird.

2.2 Sicherheit beim Umgang mit Brennspritus**WARNUNG!**

- Halten Sie brennbare Stoffe von Heiz- und Kochgeräten sowie anderen Licht- und Wärmequellen fern.
- Bewahren Sie Brennspritus nur in geeigneten Behältern und in ausreichendem Abstand vom Kocher auf.
- Beseitigen Sie sämtliche Quellen von Funken oder Flammen am Lager- oder Einfüllort für den Spiritus.
- Befüllen Sie die Brenneröpfe niemals im Kocher. Füllen Sie niemals Spiritus durch die Brenneröffnungen in der Abdeckung (Abb. **1**, Seite 2).
- Durch das Überfüllen oder Verschütten von Brennspritus sowie durch heiße Gegenstände können schwere Verbrennungen entstehen.
- Da Spiritus mit nahezu unsichtbarer Flamme brennt, können erhebliche Schäden entstehen, bevor die Gefahr bemerkt wird.

**ACHTUNG!**

- Wischen Sie vergossenen Spiritus sofort auf, um die Brandgefahr zu beseitigen.
- Rauchen Sie beim Umgang mit Spiritus oder beim Betrieb des Kochers nicht.
- Befüllen Sie den Brennerkopf nur mit der maximalen Füllmenge. Erwärmter Brennspritus dehnt sich im Brennerkopf aus. Überlaufender Brennspritus verursacht unkontrolliertes Verbrennen im Kocher.

2.3 Sicherheit beim Betrieb des Geräts

**WARNUNG!**

- Benutzen Sie lange Zündhölzer oder einen entsprechenden Anzünder. Ziehen Sie schnell Ihre Hand zurück, sobald der Brenner gezündet hat.
- Tragen Sie beim Benutzen des Kochers entsprechende Kleidung. Tragen Sie keine lose hängenden Kleidungsstücke, die Feuer fangen könnten.

**ACHTUNG!**

- Lassen Sie den Kocher bis auf die Umgebungstemperatur abkühlen, bevor Sie ihn mit den bloßen Händen berühren.
- Halten Sie den Bereich um den Elektrokoher frei von Fett, alkoholischen Substanzen, Plastikmaterial und brennbarem Stoff (z. B. Vorhänge, Handtücher, Küchenmaterialien).
- Benutzen Sie nur Töpfe und Pfannen mit ebenem Boden und einem Durchmesser von höchstens 23 cm (9 Zoll). Die Töpfe und Pfannen sollten so groß sein, dass sie das Heizelement abdecken. Wird ein zu kleiner Topf bzw. eine zu kleine Pfanne benutzt, liegt ein Teil des Heizelements frei, was zur Entzündung von Kleidungsstücken führen kann. Darüber hinaus verbessern Töpfe und Pfannen der richtigen Größe die Wirtschaftlichkeit.
- Achten Sie beim Kochen darauf, dass die Töpfe und Pfannen sicher stehen. Wir empfehlen, Topfhalter zu benutzen (Abb. **2** 2, Seite 2, **Zubehör**).

- Lassen Sie die Griffe von Töpfen oder Pfannen niemals über den Kocher hinausragen. Drehen Sie die Griffe nach innen – aber so, dass sie sich nicht über anderen Brennern befinden. Damit wird die Gefahr des Verschüttens, der Entzündung von brennbaren Stoffen und schwerer Verbrennungen verringert.
- Gehen Sie vorsichtig vor, wenn Sie Fett oder Öl erhitzen. Fett und Öl können sich bei zu großer Hitze entzünden.
- Benutzen Sie nur trockene Topflappen, um die Dampfbildung zu vermeiden. Benutzen Sie anstelle von Topflappen keine Handtücher o. ä., da diese Feuer fangen könnten.
- Betreiben Sie den Kocher niemals unbeaufsichtigt. Überkochende Töpfe können Rauch und Brände verursachen.
- Stellen Sie den Regler (Abb. **2** 1, Seite 2) auf AUS, bevor Sie den Topf bzw. die Pfanne herunternehmen.
- Benutzen Sie den Kocher nicht zum Heizen des Raums.
- **Nur Dometic ORIGO C100 und C200:** Benutzen Sie niemals die Spiritus- und die elektrischen Brenner gleichzeitig, um ein Überhitzen zu vermeiden; ansonsten könnte das Heizelement zerstört werden.
- **Nur Dometic ORIGO C100 und C200:** Das Betreiben der elektrischen Brenner mit hoher Temperatur ohne einen gefüllten Topf kann den Kocher beschädigen.

3 Lieferumfang

- Kocher
- Bedienungsanleitung

4 Zubehör

Beschreibung	Art.Nr.			
	A100	A200	C100	C200
Glasabdeckung	9103303992	9103303991	9103303992	9103303991
Topfhalter	9103303982		9103303982	
Ersatzbrennertopf	9103303993		9103303993	

5 Anwendungsbereich

Die ORIGO-Kocher von Dometic sind für den Einsatz in Fahrzeugen und Booten vorgesehen.

6 Technische Beschreibung

6.1 Funktion

Der Kocher besteht aus Edelstahl und arbeitet nach dem Absorptionsprinzip. Der Brennertopf fasst 1,2 l. Als Brennstoff wird Brennspritus verwendet. Der Brenner wird mit langen Zündhölzer oder einem entsprechenden Anzünder angezündet.

Der Brennspritus wird im Brennertopf von einem nichtbrennbaren Material absorbiert. Das Gerät hat kein Brennstoffventil und keine Brennstoffleitungen, die undicht werden könnten, oder andere derartige Bauteile, die eine regelmäßige Wartung erfordern würden.

Die Dometic ORIGO Spiritus-/Elektrokocher C100 und C200 sind mit einem Heizelement von 1200 W ausgerüstet. Sie können mit Spiritus oder elektrisch mit einer Spannung von 220 – 240 V betrieben werden.

6.2 Spezifikationen der Gerätevarianten

Der Kocher ist in verschiedenen Ausführungen erhältlich.

- **A100 und C100:** Kocher mit einem Brenner
- **A200 und C200:** Kocher mit zwei Brennern
- **C100 und C200:** zusätzliches Heizelement für den Betrieb mit 220 – 240 V

Ihren Gerätetyp können Sie anhand der Artikelnummer ermitteln, die auf dem Typenschild angegeben ist, das sich rechts am Kocher befindet.

6.3 Bedienelemente

Bedienelemente für den Betrieb mit Spiritus (Abb. 2, Seite 2):

Nr.	Beschreibung
1	Regler, stufenlos einstellbar Drehen entgegen dem Uhrzeigersinn vergrößert die Flamme.
2	Topfhalter (Zubehör)

**Bedienelemente für den Betrieb mit 220–240 V (Abb. 3, Seite 3)
(Dometic ORIGO C100 und C200)**

Nr.	Beschreibung
1	Kontroll-LED Die LED leuchtet, wenn die Stromversorgung eingeschaltet ist.
2	Regler Drehen im Uhrzeigersinn erhöht die Leistung des Heizelements.

7 Kocher einbauen

Sie können den Kocher in die Arbeitsplatte Ihrer Küche einbauen.

7.1 Einbauort auswählen

Beachten Sie bei der Wahl des Einbauorts folgende Hinweise:

- Wählen Sie einen gut belüfteten Ort für das Gerät aus.
- Gewährleisten Sie einen Mindestabstand (Abb. 6, Seite 4) von
 - 50 mm zu den seitlichen und hinteren Wänden
 - 750 mm zwischen dem Heizelement und der horizontalen Fläche über dem Kocher
- Vermeiden Sie Zug am Einbauort.
Falls Sie den Kocher in eine offene Kabine oder andere offene Bereiche einbauen, ist ein zusätzlicher Windschutz anzubringen.
- Bauen Sie den Kocher nicht unterhalb von Hängeschränken ein.
Ansonsten setzen Sie sich der Gefahr von Verbrennungen und Feuer aus, wenn Sie über dem Kocher hantieren.
- Betreiben Sie den Kocher **nicht** in Räumen, in denen Explosionsgefahr besteht.

7.2 Kocher einbauen



ACHTUNG! Gefahr von Geräteschäden!

Vor dem Anbringen von Bohrungen ist sicherzustellen, dass keine elektrischen Kabel oder andere Teile des Fahrzeugs durch Bohren, Sägen und Feilen beschädigt werden können.

- Sägen Sie eine rechteckige Öffnung in die Arbeitsplatte (Abmessungen siehe folgende Tabelle):

Modell	Abmessungen (B x T x H):
A100	255 x 150 x 340 mm
A200	485 x 150 x 340 mm
C100	255 x 150 x 340 mm
C200	485 x 150 x 340 mm

- Öffnen Sie den Kocher und nehmen Sie die Brennertöpfe heraus (siehe Kapitel „Brennertopf herausnehmen“ auf Seite 32).
- Öffnen Sie das hinten am Kocher befindliche Teil mit Scharnier.
- Stellen Sie den Kocher gemäß Abb. **4**, Seite 3 auf.
- Zeichnen Sie die Bohrungen an.
Benutzen Sie die Bohrungen im Scharnier als Schablone.
- Bohren Sie die angezeichneten Bohrungen in der Arbeitsplatte vor.
- Befestigen Sie den Kocher mit Senkkopfschrauben durch alle Bohrungen des Scharniers (Abb. **5** 1, Seite 4).
- Bringen Sie den Magnetverschluss vor der Aussparung an (Abb. **4** 1, Seite 3).
- Bringen Sie einen Feuerlöscher der Klasse B-1 in Reichweite an.

7.3 Kocher elektrisch anschließen (nur Dometic ORIGO C100 und C200)



WARNUNG!

Der Anschluss des Kochers darf ausschließlich von entsprechend ausgebildeten Fachbetrieben durchgeführt werden.

Die nachfolgenden Informationen richten sich an Fachkräfte, die mit den entsprechenden Richtlinien und Sicherheitsvorkehrungen vertraut sind.

Beachten Sie beim elektrischen Anschluss folgende Sicherheitshinweise:



ACHTUNG! Kurzschlussgefahr!

- Benutzen Sie nur geerdete und durch FI-Schutzschalter gesicherte Steckdosen.
 - Wenn Sie Leitungen durch Metall- oder andere scharfkantige Wände führen müssen, verwenden Sie Kanäle oder Durchführungen, um Beschädigungen zu vermeiden.
 - Verlegen Sie Leitungen nicht lose oder abgeknickt an elektrisch leitenden Materialien (Metall).
 - Befestigen Sie die Leitungen sicher.
 - Ziehen Sie nicht an den Leitungen.
 - Verlegen Sie die Leitungen so, dass keine Stolpergefahr entsteht und eine Beschädigung des Kabels ausgeschlossen ist.
- Vergewissern Sie sich anhand des rechts am Kocher angebrachten Typenschildes, dass die Betriebsspannung des Geräts mit der Netzspannung übereinstimmt.
- Verbinden Sie die drei Leiter des Anschlusskabels mit dem Netz.
- Sichern Sie das Kabel mit einer Schelle.

8 Kocher verwenden

8.1 Brennspritus einfüllen



WARNUNG!

Füllen Sie den Brennstoff niemals durch die Brenneröffnung auf der Oberseite des Kochers ein (Abb. **1**, Seite 2).

Durch das Überfüllen oder Verschütten von Brennspritus sowie durch heiße Gegenstände können schwere Verbrennungen entstehen.

- Stellen Sie sicher, dass alle Brenner ausgestellt sind:
 - Betrieb mit Brennspritus: Stellen Sie den Regler auf AUS.
 - Betrieb mit 220 – 240 V (**nur C100 und C200**): Schalten Sie die Heizelemente aus.
- Vergewissern Sie sich, dass der Kocher auf Raumtemperatur abgekühlt ist.
- Klappen Sie den Kocher auf (Abb. **7**, Seite 5).

Brennertopf herausnehmen

Im Betriebsmodus ist der flexible Halter (Abb. **8** 1, Seite 5) im Ausschnitt der Sicherung (Abb. **8** 2, Seite 5) arretiert.

- Zum Lösen des Kraftstofftanks drücken Sie den Halter (Abb. **9** 1, Seite 5) in Pfeilrichtung und drehen Sie die Sicherung (Abb. **9** 2, Seite 5) im Uhrzeigersinn (Abb. **10**, Seite 5).
- Wenn der Halter (Abb. **11** 1, Seite 5) senkrecht steht, drücken Sie ihn in Pfeilrichtung.
- ✓ Der Brennertopf wird gelöst.
- Nehmen Sie den Brennertopf heraus.

Brennspritus einfüllen

- Überprüfen Sie die Tanköffnung und vergewissern Sie sich, dass diese nicht brennt oder glüht.
- Vergewissern Sie sich vor dem Füllen, dass der Brennertopf ausreichend kühl ist, sodass Sie ihn in der bloßen Hand halten können.
- Halten Sie den Brennertopf (Abb. **12**, Seite 6) nach unten geneigt.

- Füllen Sie Brennspritus durch das Drahtgeflecht in die Öffnung des Brennertopfes ein.
Die maximale Füllmenge von 1,2 l pro Brennertopf darf nicht überschritten werden.
- Prüfen Sie die zulässige Füllmenge, indem Sie den Brennertopf senkrecht nach unten halten (Abb. **13**, Seite 6).
Halten Sie ihn 20 s lang in dieser Position, um sicherzustellen, dass er nicht überfüllt ist. Außerdem entsorgen Sie so überschüssigen Brennspritus, falls Sie versehentlich zuviel eingefüllt haben
- ✓ Der maximale Füllstand ist erreicht, wenn der Spiritus am unteren Ende der Öffnung sichtbar ist.



HINWEIS

Der Kocher funktioniert auch dann, wenn der Brennertopf nicht bis zur maximalen Füllmenge befüllt ist.

- Reinigen Sie den Brennertopf außen von eventuell verschüttetem Brennspritus.

Brennertopf einsetzen

- Schieben Sie den Brennertopf bis zum Anschlag in das Gerät, so dass der Halter ihn arretiert (Abb. **14** 1, Seite 6).
- Zur Sicherung des Halters (Abb. **15** 1, Seite 6) drücken Sie ihn in Pfeilrichtung und drehen gleichzeitig die Sicherung (Abb. **15** 2, Seite 6) gegen den Uhrzeigersinn, bis der Halter (Abb. **15** 1, Seite 6) einrastet.

8.2 Kocher anzünden



VORSICHT!

Verwenden Sie zum Anzünden überlange Streichhölzer oder ein Stabfeuerzeug.

Ziehen Sie Ihre Hand schnell beiseite, sobald der Brenner angezündet ist.

- Drehen Sie den Regler auf.
- ✓ Der Brenner ist geöffnet.
- Zünden Sie den Kocher an, indem Sie ein überlanges Streichholz oder Stabfeuerzeug an die Brenneröffnung halten (Abb. **16**, Seite 7).

- Stellen Sie die Flamme so ein, dass sie nicht über die Fläche des Topfes hinausgeht.
- Stellen Sie den Regler auf die gewünschte Stufe.

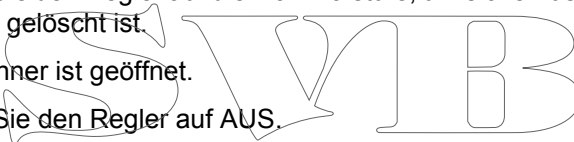


HINWEIS

Wenn der Kocher von der letzten Nutzung noch nicht abgekühlt ist, erlischt der Brenner möglicherweise sofort nach dem Zünden wieder. Blasen Sie in diesem Fall Luft in die Brenneröffnung, um die Dämpfe zu beseitigen.
Zünden Sie den Kocher dann wie oben beschrieben.

8.3 Flamme löschen

- Stellen Sie den Regler auf AUS.
- ✓ Der Brenner ist geschlossen.
- Warten Sie etwa fünf Sekunden.
- Stellen Sie den Regler auf die Maximalstufe, um sicherzustellen, dass die Flamme gelöscht ist.
- ✓ Der Brenner ist geöffnet.
- Stellen Sie den Regler auf AUS.
- ✓ Der Brenner ist geschlossen.
- Warten Sie ggf., bis der Kocher vollständig abgekühlt ist, bevor Sie die Glasabdeckung (**Zubehör**) schließen.



8.4 Heizelement verwenden (nur Dometic ORIGO C100 und C200)



ACHTUNG!

Verwenden Sie niemals gleichzeitig Brennspritus und 230-V-Wechselstrom, um eine Überhitzung des Gerätes und Schäden am Heizelement zu vermeiden.

- Öffnen Sie ggf. die Glasabdeckung (**Zubehör**).
- Um das Heizelement **einzuschalten**, drücken Sie den Regler ein und drehen ihn im Uhrzeigersinn.
- Wählen Sie die gewünschte Stufe.

- Um das Heizelement **auszuschalten**, stellen Sie den Regler auf AUS.
- Lassen Sie das Heizelement vollständig abkühlen, bevor Sie die Glasabdeckung (**Zubehör**) schließen, die Kocheroberfläche berühren oder brennbare Gegenstände auf dem Kocher ablegen.

9 Kocher reinigen und warten



ACHTUNG!

Keine scharfen oder harten Mittel zur Reinigung verwenden, da dies zu einer Beschädigung des Gerätes führen kann.

- Nehmen Sie das Gitter vom Kocher.
- Reinigen Sie die Kocheroberfläche. Entfernen Sie insbesondere klebrige Fett- und Ölrückstände.
- **Nur C100 und C200:** Heben Sie das Heizelement an, bis Sie einen Widerstand spüren. Reinigen Sie den Kocher unterhalb des Heizelements.
- Benutzen Sie auf keinen Fall einen Dampfstrahlreiniger zum Reinigen des Kochers.

10 Gewährleistung

Es gilt die gesetzliche Gewährleistungsfrist. Sollte das Produkt defekt sein, wenden Sie sich bitte an an Ihren Fachhändler oder an die Niederlassung des Herstellers in Ihrem Land (Adressen siehe Rückseite der Anleitung).

Zur Reparatur- bzw. Gewährleistungsbearbeitung müssen Sie folgende Unterlagen mitschicken:

- eine Kopie der Rechnung mit Kaufdatum,
- einen Reklamationsgrund oder eine Fehlerbeschreibung.

11 Entsorgung

- Geben Sie das Verpackungsmaterial möglichst in den entsprechenden Recycling-Müll.



Wenn Sie das Produkt endgültig außer Betrieb nehmen, informieren Sie sich bitte beim nächsten Recyclingcenter oder bei Ihrem Fachhändler über die zutreffenden Entsorgungsvorschriften.

SVIB

12 Technische Daten

	Dometic ORIGO Kocher	
	A100	A200
Art.-Nr.:	9103303935	9103303937
Anzahl der Brenner:	1	2
Brenndauer:	ca. 4,5 h	
Brennerleistung:	2000 W	
Kochzeit für 1 l Wasser:	10 min	
Tankfüllmenge:	1,2 l	
Abmessungen (B x H x T):	270 x 160 x 365 mm	500 x 160 x 365 mm
Gewicht:	3,5 kg	7 kg

	Dometic ORIGO Kocher	
	C100	C200
Art.-Nr.:	9103303939	9103303941
Anzahl der Brenner:	1	2
Brenndauer:	ca. 4,5 h	
Brennerleistung:	2000 W	
Versorgungsspannung:	220–240 V	
Leistung des Heizelements:	1200 W / Element	
Kochzeit für 1 l Wasser:	10 min	
Tankfüllmenge:	1,2 l	
Abmessungen (B x H x T):	270 x 160 x 365 mm	500 x 160 x 365 mm
Gewicht:	3,5 kg	7 kg

Veillez lire ce manuel attentivement avant de mettre l'appareil en service et conservez-le. En cas de passer le produit, veuillez le transmettre au nouvel acquéreur.

Table des matières

1	Explication des symboles.	39
2	Consignes générales de sécurité.	39
3	Contenu de la livraison	44
4	Accessoires	44
5	Usage conforme.	44
6	Description technique	44
7	Montage de la cuisinière	46
8	Utilisation de la cuisinière	48
9	Nettoyage et entretien de la cuisinière.	51
10	Garantie	52
11	Elimination	52
12	Caractéristiques techniques.	53

1 Explication des symboles

**AVERTISSEMENT !**

Consigne de sécurité : le non-respect de ces consignes peut entraîner la mort ou de graves blessures.

**ATTENTION !**

Consigne de sécurité : le non-respect de ces consignes peut entraîner des blessures.

**AVIS !**

Le non-respect de ces consignes peut entraîner des dommages matériels et des dysfonctionnements du produit.

**REMARQUE**

Informations complémentaires sur l'utilisation du produit.

➤ **Manipulation :** ce symbole vous indique une action à effectuer. Les manipulations à effectuer sont décrites étape par étape.

✓ Ce symbole décrit le résultat d'une manipulation.

fig. 1 5, page 3 : cette information renvoie à un élément figurant sur une illustration, dans cet exemple à la « position 5 de l'illustration 1 à la page 3 ».

2 Consignes générales de sécurité

Le fabricant décline toute responsabilité pour des dommages dans les cas suivants :

- des influences mécaniques et des surtensions ayant endommagé le matériel
- des modifications apportées au produit sans autorisation explicite de la part du fabricant
- une utilisation différente de celle décrite dans la notice

Veillez respecter les instructions suivantes concernant la sécurité lors de l'emploi de dispositifs électriques servant de protection contre :

- des décharges électriques
- des risques d'incendie
- des risques de blessure

2.1 Sécurité générale



AVERTISSEMENT !

- Utilisez uniquement de l'alcool dénaturé. N'employez **pas** d'autres combustibles tels que : essence, diesel, méthanol, propane ou allumeur de charbon de bois.
- **Danger d'asphyxie !**
Avant de mettre l'appareil en marche, assurez-vous que le lieu d'utilisation est suffisamment aéré.
- Placez un extincteur de classe A (pour feux alimentés par alcool) à portée de main.
Assurez-vous que l'extincteur est vérifié régulièrement par un personnel qualifié.
- **Ne laissez pas des personnes (enfants compris) incapables d'utiliser le produit de manière sûre, en raison de déficiences physiques, sensorielles ou mentales ou de leur manque d'expérience ou de connaissances, utiliser ce produit sans surveillance.**
- **Les dispositifs électriques ne sont pas des jouets.**
Maintenez les appareils électriques hors de portée des enfants et des personnes souffrant d'infirmités. Ne les laissez pas se servir des appareils sans surveillance.



AVIS !

- Utilisez la cuisinière aux fins pour lesquelles elle a été conçue.

Uniquement cuisinières à l'alcool/électriques Dometic ORIGO C100 et C200



AVERTISSEMENT !

- Placez un extincteur de classe B1 (pour feux électriques) à portée de main.
Assurez-vous que l'extincteur est vérifié régulièrement par un personnel qualifié.
- Débranchez toujours l'alimentation électrique lors de l'exploitation de l'appareil.
- Seul un personnel qualifié, connaissant les risques encourus et les directives correspondantes est habilité à effectuer les travaux de maintenance et de réparation.
- Si le câble de connexion est endommagé, il doit être remplacé par un personnel qualifié.
Une réparation incorrecte peut entraîner des risques importants.
- Si la cuisinière n'est pas équipée d'une prise accessible, il faut intégrer un dispositif de coupure de toutes les phases dans le câblage fixe.
- Informez-vous pour savoir comment mettre hors tension le disjoncteur ou le fusible en cas d'urgence.

2.2 Précautions de sécurité lors de la manipulation d'alcool dénaturé



AVERTISSEMENT !

- Maintenez toutes les substances inflammables hors de portée des appareils de chauffage et de cuisine, ainsi que des sources de lumière et de chaleur.
- Gardez l'alcool dans des récipients adéquats uniquement et à une distance suffisante de la cuisinière.
- Éliminez toutes les sources potentielles d'étincelles et de flammes de l'endroit où ont lieu le stockage et le remplissage de l'alcool.
- Ne remplissez jamais les réservoirs tant qu'ils se trouvent dans la cuisinière. Ne versez jamais de combustible dans les orifices des brûleurs sur le dessus de la cuisinière (fig. 1, page 2).

- Le débordement ou le déversement d'alcool ainsi que les objets très chauds peuvent causer de graves brûlures.
- L'alcool dénaturé brûle avec une flamme pratiquement invisible, ce qui peut causer de grands dommages avant même que le danger soit perçu.

**AVIS !**

- Nettoyez immédiatement tout alcool renversé afin d'éviter une combustion incontrôlable.
- Ne fumez pas durant la manipulation d'alcool ou l'utilisation de la cuisinière.
- Remplissez le réservoir uniquement jusqu'à son niveau maximum. L'alcool se dilate dans le réservoir lorsqu'il est chauffé. Un surplus d'alcool peut causer une combustion incontrôlable à l'intérieur de la cuisinière.

2.3 Utilisation de l'appareil en toute sécurité

**AVERTISSEMENT !**

- Utilisez de longues allumettes ou de longs dispositifs d'allumage pour allumer le brûleur.
Retirez rapidement votre main dès que le brûleur s'allume.
- Portez des vêtements appropriés lors de l'utilisation de la cuisinière.
Ne portez pas de vêtements pouvant s'enflammer.

**AVIS !**

- Laissez la cuisinière refroidir à la température ambiante avant de la toucher avec les mains nues.
- Dans la zone à proximité de la cuisinière et de ses composants, évitez la présence de graisse, d'huile, de substances alcoolisées, de plastique ou de tissus inflammables (par exemple rideaux, serviettes, ustensiles de cuisine).
- Utilisez uniquement des casseroles et poêles de diamètre maximal 23 cm (9"). Les casseroles et poêles doivent être suffisamment grandes pour couvrir l'élément chauffant. L'utilisation d'ustensiles trop petits expose une partie de l'élément chauffant au contact direct et peut provoquer l'inflammation de tissus. Des ustensiles de taille adéquate améliorent également l'efficacité de l'utilisation.

- Lors de l'utilisation, assurez-vous que la position des casseroles et poêles est sûre. Il est recommandé d'utiliser des grilles pour casseroles (fig. **2** 2, page 2, **accessoire**).
- Ne laissez jamais les poignées des casseroles dépasser du bord de la cuisinière. Placez les poignées des casseroles vers l'intérieur de la cuisinière, sans qu'elles se trouvent non plus au-dessus d'autres brûleurs. Cela minimise le risque de débordement, d'inflammation de matériaux inflammables et/ou de brûlures graves.
- Soyez prudent lors du chauffage de graisse ou d'huile. La graisse et l'huile peuvent s'enflammer lorsqu'elles sont exposées à des températures élevées.
- Utilisez des chiffons secs pour éviter la formation de vapeur. N'utilisez pas de serviettes à la place des chiffons spéciaux de cuisine, car elles pourraient s'enflammer.
- Ne laissez jamais la cuisinière sans surveillance pendant qu'elle fonctionne. Les casseroles peuvent provoquer de la fumée et des incendies si elles débordent.
- Mettez le bouton de contrôle du brûleur (fig. **2** 1, page 2) sur arrêt avant de retirer la casserole.
- N'utilisez pas la cuisinière pour chauffer la pièce.
- **Dometic Origo C100 et C200 uniquement** : n'utilisez jamais de brûleurs à alcool et électriques simultanément afin d'éviter la surchauffe. Cela pourrait détruire les éléments chauffants.
- **Dometic Origo C100 et C200 uniquement** : l'utilisation de brûleurs électriques à forte température et en l'absence de casserole pleine peut endommager la cuisinière.

3 Contenu de la livraison

- Cuisinière
- Manuel d'utilisation

4 Accessoires

Description	N° d'article			
	A100	A200	C100	C200
Couvercle de verre	9103303992	9103303991	9103303992	9103303991
Grille pour casse-roles	9103303982		9103303982	
Réservoir	9103303993		9103303993	

5 Usage conforme

Les cuisinières Dometic ORIGO ont été conçues pour être utilisées dans des véhicules et des bateaux.

6 Description technique

6.1 Fonctionnement

La cuisinière est en acier inoxydable et fonctionne selon le principe d'absorption. Le réservoir a une capacité de 1,2 l. De l'alcool dénaturé est utilisé comme combustible. Le brûleur est allumé au moyen de longues allumettes ou d'un allume-gaz approprié.

L'alcool est absorbé dans un matériau ininflammable dans le réservoir. La cuisinière ne comporte pas de vannes ou de conduites d'essence susceptibles de provoquer des fuites, ni d'autres composants exigeant un entretien régulier.

Les cuisinières Dometic ORIGO à alcool/électriques C100 et C200 sont équipées d'un élément chauffant de 1 200 W (UE) . Elles peuvent fonctionner soit avec de l'alcool ou sur 220–240 V.

6.2 Spécifications pour les variantes de l'appareil

Différentes versions de cuisinières sont disponibles.

- **A100 et C100** : une unité de brûleur
- **A200 et C200** : double unité de brûleur
- **C100 et C200** : élément chauffant supplémentaire pour le fonctionnement en 220–240 V

La version de votre appareil est indiquée par le numéro d'article sur la plaque signalétique située sur le côté droit de la cuisinière.

6.3 Éléments de commande

Éléments de commande pour l'utilisation de l'appareil avec de l'alcool dénaturé (fig. 2, page 2) :

N°	Description
1	Bouton de contrôle réglable en continu Tournez dans le sens contraire des aiguilles d'une montre pour augmenter la flamme du brûleur
2	Grille pour casseroles (accessoire)

Éléments de commande pour l'utilisation de l'appareil sur le secteur 220–240 V (fig. 3, page 3) (Dometic ORIGO C100 et C200)

N°	Description
1	LED de statut Cette LED s'allume lorsque l'alimentation électrique est activée.
2	Bouton de réglage de la puissance Tournez dans le sens des aiguilles d'une montre pour augmenter la puissance de l'élément chauffant

7 Montage de la cuisinière

La cuisinière peut être installée sur le comptoir de cuisine.

7.1 Sélection du lieu d'installation

Lors de la sélection du lieu d'installation, respectez les instructions suivantes :

- Choisissez un endroit bien aéré pour installer l'appareil.
- Respectez une distance minimale (fig. **6**, page 4) de
 - 50 mm avec les parois latérales et arrière de la cuisinière
 - 750 mm entre l'élément en spirale de la cuisinière et la surface horizontale au-dessus de la cuisinière
- Evitez les courants d'air sur le lieu d'installation.
Si la cuisinière est installée dans un poste de pilotage ouvert ou autres endroits à l'air libre, installez une protection supplémentaire contre le vent.
- Evitez de mettre des emplacements de rangement au-dessus de la cuisinière.
Vous risqueriez de vous brûler ou de déclencher un incendie lorsque vous voudrez atteindre quelque chose au-dessus de la cuisinière.
- N'utilisez **pas** l'appareil dans des zones exposées aux explosions.

7.2 Installation de la cuisinière



AVIS ! Danger d'endommagement de l'appareil !

Avant de percer des alésages, assurez-vous qu'aucun câble électrique ou autre pièce du véhicule ne puisse être endommagé par perçage, sciage ou limage.

- Découpez un trou rectangulaire dans le comptoir de cuisine (dimensions : voir tableau suivant) :

Modèle	Dimensions L x p x h
A100	255 x 150 x 340 mm
A200	485 x 150 x 340 mm
C100	255 x 150 x 340 mm
C200	485 x 150 x 340 mm

- Ouvrez le couvercle et enlevez les réservoirs (voir « Retrait du réservoir », page 48).
- Ouvrez les charnières à l'arrière de la cuisinière.
- Placez la cuisinière comme indiqué à la fig. **4**, page 3.
- Marquez les trous à percer.
Utilisez les trous de fixation de la charnière comme gabarit.
- Pré-percez les trous dans le comptoir là où se trouvent les marquages.
- Fixez la cuisinière en vissant des vis à tête fraisée à travers chacun des trous de perçage de la charnière (fig. **5** 2, page 4).
- Installez le caisson magnétique à l'avant de la découpe (fig. **4** 1, page 3).
- Placez un extincteur de classe B1 à portée de main.

7.3 Branchement de la cuisinière (Dometic ORIGO C100 et C200 uniquement)



AVERTISSEMENT !

Seul un spécialiste qualifié est habilité à brancher la cuisinière. Les informations suivantes sont destinées à des techniciens connaissant les directives et précautions de sécurité en vigueur.

Respectez les instructions de sécurité suivantes pour les connexions électriques :



AVIS ! Risque de court-circuit !

- Utilisez toujours des prises reliées à la terre et sécurisées par des disjoncteurs de courant résiduel.
- Si vous devez faire passer des câbles au travers de parois métalliques ou d'autres parois à arêtes vives, utilisez des conduits ou tuyaux afin d'éviter tout endommagement.
- Ne placez pas de câbles non fixés ou tordus près de matériaux conducteurs d'électricité (métal).
- Fixez les câbles de façon sûre.
- Ne tirez pas sur les câbles.
- Placez les câbles de façon à ce qu'ils ne puissent être écrasés ou endommagés accidentellement.

- Consultez la plaque signalétique située sur le côté droit de la cuisinière afin de vérifier que la tension de l'appareil correspond à la tension de l'alimentation.
- Connectez les trois conducteurs du câble de connexion au courant alternatif.
- Sécurisez le câble à l'aide d'un collier de serrage.

8 Utilisation de la cuisinière

8.1 Remplissage avec de l'alcool dénaturé



AVERTISSEMENT !

Ne versez jamais de combustible dans les orifices des brûleurs sur le dessus de la cuisinière (fig. **1**, page 2).

Le débordement ou le déversement d'alcool ainsi que les objets très chauds peuvent causer de graves brûlures.

- Assurez-vous que tous les brûleurs sont éteints :
 - utilisation avec de l'alcool dénaturé : tournez le bouton de contrôle pour le placer en position Arrêt
 - utilisation sur 220–240 V (**C100 et C200 uniquement**) : éteignez les éléments chauffants
- Assurez-vous que la cuisinière s'est refroidie et a atteint la température ambiante.
- Ouvrez le dessus de la cuisinière (fig. **7**, page 5).

Retrait du réservoir

En mode de fonctionnement, le support flexible (fig. **8** 1, page 5) est bloqué dans l'évidement de la protection (fig. **8** 2, page 5).

- Pour défaire le réservoir, appuyez sur le support (fig. **9** 1, page 5) en direction de la flèche et tournez la protection (fig. **9** 2, page 5) dans le sens des aiguilles d'une montre (fig. **10**, page 5).
- Lorsque le support (fig. **11** 1, page 5) est à la verticale, appuyez-le en direction de la flèche.
- ✓ Le réservoir est détachée.
- Retirez le réservoir.

Remplissage avec de l'alcool à brûler

- Vérifiez que l'ouverture du réservoir ne présente ni feu ni incandescence.
- Avant le remplissage, assurez-vous que le réservoir est assez froid pour que vous puissiez le saisir à mains nues.
- Tenez le réservoir à l'envers (fig. **12**, page 6).
- Versez l'alcool dénaturé par l'ouverture des réservoirs, au travers du treillis métallique.
La capacité maximale par réservoir ne doit pas dépasser 1,2 l.
- Vérifiez le niveau de combustible en renversant le réservoir verticalement (fig. **13**, page 6).

Maintenez-le dans cette position pendant 20 s pour vous assurer qu'il n'est pas trop rempli. De plus, au cas où le réservoir a été trop rempli par inadvertance, vous pouvez vider le surplus de combustible.

- ✓ Le niveau maximal de combustible est atteint quand celui-ci est visible au fond de l'ouverture.



REMARQUE

La cuisinière fonctionne même si le réservoir n'est pas rempli au maximum de sa capacité.

- Essuyez l'alcool éventuellement renversé à l'extérieur du réservoir.

Mise en place du réservoir

- Faites glisser le réservoir jusqu'à la butée dans l'appareil de sorte que le support la bloque (fig. **14** 1, page 6).
- Afin de bloquer le support (fig. **15** 1, page 6), appuyez dessus en direction de la flèche et tournez en même temps la protection (fig. **15** 2, page 6) dans le sens contraire des aiguilles d'une montre, jusqu'à ce que le support (fig. **15** 1, page 6) s'enclenche.

8.2 Allumage de la cuisinière



ATTENTION !

Pour l'allumage, utilisez de longues allumettes ou un allume-gaz. Retirez rapidement vos mains dès que le brûleur est allumé.

- Tournez le bouton de réglage.

- ✓ Le brûleur est ouvert.
- Allumez la cuisinière en tenant une longue allumette ou un allume-gaz devant l'ouverture du brûleur (fig. 16, page 7).
- Ajustez la flamme de manière à ce qu'elle ne dépasse pas le bord de la casserole.
- Réglez la puissance désirée à l'aide du bouton.

**REMARQUE**

Si la cuisinière ne s'est pas encore refroidie depuis l'utilisation précédente, il est possible que le brûleur s'allume mais s'éteigne ensuite immédiatement. Dans ce cas, soufflez dans l'ouverture du brûleur afin de dissiper la vapeur. Ensuite, allumez la cuisinière en suivant la description ci-dessus.

8.3 Extinction de la flamme

- Tournez le bouton de contrôle pour le placer en position Arrêt.
- ✓ Le brûleur est fermé.
- Attendez environ cinq secondes.
- Tournez le bouton sur la position maximale pour vous assurer que la flamme est éteinte.
- ✓ Le brûleur est ouvert.
- Tournez le bouton de contrôle pour le placer en position Arrêt.
- ✓ Le brûleur est fermé.
- Attendez que la cuisinière ait complètement refroidi avant de replacer le couvercle en verre (**accessoire**), si vous en possédez un.

8.4 Utilisation de l'élément chauffant (Dometic ORIGO C100 et C200 uniquement)

**AVIS !**

N'utilisez jamais de brûleurs à alcool et électriques simultanément afin d'éviter la surchauffe. Cela pourrait détruire l'élément chauffant.

- Relevez le couvercle en verre (**accessoire**) si votre cuisinière en est équipée.
- Pour **mettre en marche** l'élément chauffant, poussez le bouton de réglage de la puissance et tournez-le dans le sens des aiguilles d'une montre.
- Sélectionnez la puissance souhaitée.
- Pour **éteindre** l'élément chauffant, tournez le bouton de réglage de la puissance afin de le placer en position Arrêt.
- Laissez l'élément refroidir complètement avant de fermer le couvercle en verre (**accessoire**) ou de toucher le dessus de la cuisinière ou encore de mettre un matériau inflammable en contact avec le dessus de la cuisinière.

9 Nettoyage et entretien de la cuisinière



AVIS !

N'employez pas d'objets coupants ou pointus pour le nettoyage, ils pourraient endommager l'appareil.

- Retirez la grille du dessus de la cuisinière.
- Nettoyez le dessus de la cuisinière. En particulier, éliminez avec soin la graisse et l'huile qui y adhèrent.
- **C100 et C200 uniquement** : soulevez l'élément chauffant jusqu'à ce que vous sentiez une résistance. Nettoyez la cuisinière en dessous de l'élément chauffant.
- N'utilisez jamais de nettoyeur à vapeur pour nettoyer la cuisinière.

10 Garantie

Le délai légal de garantie s'applique. Si le produit s'avérait défectueux, veuillez vous adresser à la filiale du fabricant située dans votre pays (voir adresses au verso du présent manuel) ou à votre revendeur spécialisé.

Veillez y joindre les documents suivants pour la gestion des réparations et de la garantie :

- une copie de la facture avec la date d'achat,
- le motif de la réclamation ou une description du dysfonctionnement.

11 Elimination

- Jetez les emballages dans les conteneurs de déchets recyclables prévus à cet effet.



Lorsque vous mettez votre produit définitivement hors service, informez-vous auprès du centre de recyclage le plus proche ou auprès de votre revendeur spécialisé sur les prescriptions relatives au traitement des déchets.

SVMB

12 Caractéristiques techniques

Cuisinière Dometic ORIGO		
	A100	A200
N° d'article :	9103303935	9103303937
Nombre de brûleurs :	1	2
Durée de combustion :	approx. 4,5 h	
Puissance du brûleur :	2 000 W	
Durée pour faire bouillir 1 l d'eau :	10 min	
Capacité du réservoir :	1,2 l	
Dimensions (L x h x p) :	270 x 160 x 365 mm	500 x 160 x 365 mm
Poids :	3,5 kg	7 kg

Cuisinière Dometic ORIGO		
	C100	C200
N° d'article :	9103303939	9103303941
Nombre de brûleurs :	1	2
Durée de combustion :	approx. 4,5 h	
Puissance du brûleur :	2 000 W	
Tension d'alimentation:	220–240 V	
Puissance de l'élément chauffant :	1200 W / élément	
Durée pour faire bouillir 1 l d'eau :	10 min	
Capacité du réservoir :	1,2 l	
Dimensions (L x h x p) :	270 x 160 x 365 mm	500 x 160 x 365 mm
Poids :	3,5 kg	7 kg

Antes de poner en funcionamiento el producto, lea atentamente estas instrucciones y consérvelas para futuras consultas. En caso de vender o entregar el producto a otra persona, entregue también estas instrucciones.

Índice

1	Aclaración de los símbolos	55
2	Indicaciones generales de seguridad	55
3	Volumen de entrega	59
4	Accesorios	60
5	Uso adecuado	60
6	Descripción técnica	60
7	Montaje del hornillo	62
8	Utilización del hornillo	64
9	Limpieza y mantenimiento del hornillo	67
10	Garantía	68
11	Gestión de residuos	68
12	Datos técnicos	69

1 Aclaración de los símbolos

**¡ADVERTENCIA!**

Indicación de seguridad: su incumplimiento puede acarrear la muerte o graves lesiones.

**¡ATENCIÓN!**

Indicación de seguridad: su incumplimiento puede acarrear lesiones.

**¡AVISO!**

Su incumplimiento puede acarrear daños materiales y perjudicar el correcto funcionamiento del producto.

**NOTA**

Información adicional para el manejo del producto.

- **Paso a seguir:** este símbolo le indica que debe realizar un paso. Todos los procedimientos necesarios se describen paso a paso.
- ✓ Este símbolo describe el resultado de un paso realizado.

fig. 1 5, página 3: esta indicación hace referencia a un elemento de una figura, en este ejemplo a la “Posición 5 en la figura 1 de la página 3”.

2 Indicaciones generales de seguridad

El fabricante declina toda responsabilidad ante daños ocurridos en los siguientes casos:

- daños en el producto debido a influencias mecánicas y sobretensiones
- modificaciones realizadas en el producto sin el expreso consentimiento del fabricante
- utilización del aparato para fines distintos a los descritos en las instrucciones.

Cuando utilice aparatos eléctricos, observe las instrucciones básicas de seguridad siguientes para protegerse frente a:

- Electrocuci3n
- Peligro de incendio
- Lesiones

2.1 Seguridad general



¡ADVERTENCIA!

- Utilice únicamente alcohol desnaturalizado. **No** utilice otros combustibles como gasolina, diésel, metanol, propano o fluido encendedor de carb3n.
- **¡Peligro de asfixia!**
Antes de encender el aparato, asegúrese de que el área esté suficientemente ventilada.
- Coloque a su alcance un extintor de incendios (para fuegos producidos por el alcohol) de clase A.
Asegúrese de que el extintor sea controlado periódicamente por personal cualificado.
- Las personas (incluidos los niños) que, debido a sus capacidades físicas, sensoriales o mentales, a su falta de experiencia o a desconocimiento, no pueden utilizar el producto de forma segura, no tienen permitido utilizar este producto sin la vigilancia y las instrucciones de una persona sobre la que recae tal responsabilidad.
- **Los aparatos eléctricos no son juguetes**
Mantenga los equipos eléctricos fuera del alcance de los niños o de personas con salud delicada. No permita que utilicen los equipos sin supervisi3n.

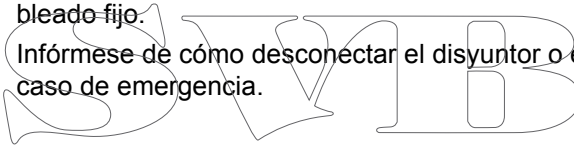


¡AVISO!

- Utilice el hornillo exclusivamente del modo previsto.

Sólo para hornillos de alcohol/eléctricos Dometic ORIGO C100 y C200**¡ADVERTENCIA!**

- Coloque a su alcance un extintor de incendios (para fuegos eléctricos) de clase B-1. Asegúrese de que el extintor sea controlado periódicamente por personal cualificado.
- Desconecte siempre la alimentación eléctrica cuando esté trabajando en el aparato.
- Los trabajos de mantenimiento y reparación sólo deben ser realizados por personal cualificado que conozca los riesgos existentes y las normas aplicables.
- Si el cable de conexión está dañado, deberá ser reemplazado por personal cualificado. Las reparaciones inadecuadas pueden implicar riesgos considerables.
- Si el hornillo no dispone de una clavija accesible, debe integrarse un dispositivo de desconexión de todos los polos en el cableado fijo.
- Infórmese de cómo desconectar el disyuntor o el fusible en caso de emergencia.

**2.2 Precauciones de seguridad en la manipulación del alcohol desnaturalizado****¡ADVERTENCIA!**

- Mantenga las sustancias inflamables lejos de los aparatos de calefacción o cocina y otras fuentes de luz y calor.
- Guarde el alcohol en depósitos adecuados y siempre a una distancia suficiente del hornillo.
- Elimine cualquier fuente de chispas o llamas del lugar de almacenamiento del alcohol.
- No llene nunca los cartuchos estando estos en el hornillo. No vierta nunca el combustible por los orificios del quemador de la parte superior del hornillo (fig. 1, página 2).
- Un llenado excesivo, el alcohol vertido y los objetos calientes pueden causar quemaduras graves.

- El alcohol desnaturalizado se quema produciendo una llama casi invisible, de forma que pueden producirse grandes daños antes de que advierta el peligro.



¡AVISO!

- Recoja inmediatamente todo el alcohol vertido para evitar una combustión incontrolada.
- No fume cuando manipule el alcohol o cuando maneje el hornillo.
- No llene el cartucho más allá de su capacidad máxima. Al calentarse, el alcohol se expande en el cartucho. Un llenado excesivo puede causar una combustión incontrolada dentro del hornillo.

2.3 Manejo seguro del aparato



¡ADVERTENCIA!

- Utilice cerillas largas o encendedores largos para encender el quemador. Retire rápidamente su mano en cuanto el quemador se encienda.
- Lleve ropa adecuada cuando maneje el hornillo. No lleve accesorios colgantes en los que pueda prenderse fuego.



¡AVISO!

- Antes de tocarlo con las manos descubiertas, espere a que el hornillo se enfríe hasta la temperatura ambiente.
- Mantenga el área circundante del hornillo y las piezas interiores sin grasas, sustancias alcohólicas, plásticos o tejidos inflamables (por ej., cortinas, toallas, utensilios de cocina).
- Utilice únicamente cazuelas y sartenes de base plana y con un diámetro máximo de 23 cm (9"). Las cazuelas y sartenes deben ser lo suficientemente grandes para cubrir el elemento calefactor. El uso de utensilios de menor tamaño hace que una parte del elemento calefactor quede al descubierto y pueda entrar en contacto directo con la ropa, lo que podría provocar la ignición de ésta.
Los utensilios de las dimensiones adecuadas mejoran asimismo la eficiencia del aparato.

- Cuando cocine, asegúrese de que las cazuelas y las sartenes estén en una posición estable. Es recomendable el uso de agarradores (fig. **2** 2, página 2, **accesorios**).
- No permita que las asas de las cazuelas queden fuera del borde del hornillo. Gire las asas de las cazuelas hacia dentro pero sin que tapen el resto de quemadores. Ello minimizará la posibilidad de derrames, ignición de materiales inflamables y/o quemaduras graves.
- Tenga cuidado al calentar grasa o aceite. La grasa y el aceite pueden entrar en combustión al estar expuestos a gran temperatura.
- Utilice únicamente agarradores secos para evitar la formación de vapor. No utilice toallas o similares en lugar de agarradores, ya que éstas pueden entrar en combustión.
- No deje nunca el hornillo sin vigilancia cuando esté cocinando. Si el contenido en ebullición de las cazuelas se sale de éstas, puede producir humo y fuego.
- Ponga el mando del quemador (fig. **2** 1, página 2) en posición de apagado antes de retirar la cazuela.
- No utilice el hornillo para calentar la estancia.
- **Sólo para Dometic Origo C100 y C200:** no utilice nunca simultáneamente quemadores de alcohol y eléctricos para evitar un sobrecalentamiento que pueda destruir el elemento calefactor.
- **Sólo para Dometic Origo C100 y C200:** el funcionamiento de los quemadores eléctricos a alta temperatura sin haber sobre ellos una cazuela llena puede dañar el hornillo.

3 Volumen de entrega

- Hornillo
- Instrucciones de uso

4 Accesorios

Denominación	N.º art.			
	A100	A200	C100	C200
Tapa de vidrio	9103303992	9103303991	9103303992	9103303991
Agarrador	9103303982		9103303982	
Cartucho	9103303993		9103303993	

5 Uso adecuado

Los hornillos ORIGO de Dometic han sido diseñados para su uso en vehículos o embarcaciones.

6 Descripción técnica

6.1 Funcionamiento

El hornillo está hecho de acero inoxidable y utiliza el principio de absorción. El cartucho tiene una capacidad de 1,2 l. Como combustible utiliza el alcohol desnaturalizado. El quemador se enciende con cerillas largas o con un encendedor adecuado.

El alcohol es absorbido por un material no inflamable contenido en el cartucho. No están equipados con una válvula o con conductos de combustible que puedan permitir fugas, ni con otros componentes similares que requieran mantenimiento periódico.

Los hornillos de alcohol / eléctricos ORIGO C100 y C200 de Dometic están equipados con un elemento calefactor de 1200 W (UE). Como alternativa pueden funcionar con alcohol o 220–240 V.

6.2 Especificaciones de las variantes del aparato

Pueden adquirirse varias versiones del hornillo.

- **A100 y C100:** unidad de un solo quemador
- **A200 y C200:** unidad de dos quemadores
- **C100 y C200:** elemento calefactor adicional para el funcionamiento a 220–240 V

Para saber cuál es su aparato, vea su número de artículo en la placa de características situada en la parte derecha del hornillo.

6.3 Elementos de mando

Elementos de mando para el funcionamiento con alcohol desnaturalizado (fig. 2, página 2):

N.º	Denominación
1	Botón de control, regulable de forma continua Para aumentar la llama del quemador, gírelo en el sentido contrario a las agujas del reloj.
2	Agarrador (accesorio)

Elementos de mando para el funcionamiento con la red de 220–240 V (fig. 3, página 3) (Dometic ORIGO C100 y C200)

N.º	Denominación
1	LED de estado El LED se enciende cuando se conecta el suministro eléctrico.
2	Botón de ajuste de la potencia Gírelo en el sentido de las agujas del reloj para aumentar la potencia del elemento calefactor

7 Montaje del hornillo

Puede empotrar el hornillo en la encimera de su cocina.

7.1 Selección del lugar de montaje

Cuando elija el lugar de montaje, siga las instrucciones siguientes:

- Seleccione para el aparato un lugar bien ventilado.
- Asegúrese de que guarda una distancia mínima (fig. 6, página 4) de
 - 50 mm hasta las paredes laterales y trasera
 - 750 mm entre la bobina del hornillo y la superficie horizontal de encima del hornillo
- Evite que haya corriente de aire en el lugar de montaje.
Si instala el hornillo en una cabina abierta u otras zonas abiertas, monte una protección adicional contra el viento.
- Evite el espacio de almacenamiento del armario situado sobre el hornillo.
En caso contrario, existe riesgo de quemaduras e incendios cuando acceda a él por encima del hornillo.
- **No** maneje el aparato en espacios que presenten peligro de explosión.

7.2 Instalación del hornillo



¡AVISO! ¡Peligro de dañar el aparato!

Antes de realizar cualquier taladro, asegúrese de que no pueda dañar cables eléctricos u otras partes del vehículo al taladrar, serrar o lijar.

- Recorte en la encimera un orificio rectangular (dimensiones según la tabla siguiente):

Modelo	Dimensiones: A x P x H
A100	255 x 150 x 340 mm
A200	485 x 150 x 340 mm
C100	255 x 150 x 340 mm
C200	485 x 150 x 340 mm

- Abra la parte superior y retire los cartuchos (véase “Extraer el cartucho” en la página 64).
- Abra el tope de la tapa de la parte posterior del hornillo.

- Coloque el hornillo de acuerdo con la fig. **4**, página 3.
- Marque las perforaciones a realizar.
Utilice los agujeros de fijación del tope de la tapa como plantilla.
- Realice una perforación previa en los puntos marcados de la encimera.
- Fije el hornillo introduciendo tornillos de cabeza plana en cada perforación del tope de la tapa (fig. **5** 2, página 4).
- Monte el cierre magnético en la parte delantera de la parte recortada (fig. **4** 1, página 3).
- Coloque a su alcance un extintor de incendios de clase B-1.

7.3 Conexión eléctrica del hornillo (Sólo para Dometic ORIGO C100 y C200)



¡ADVERTENCIA!

El hornillo sólo debe conectarlo un técnico cualificado.
La información siguiente está destinada a técnicos que conozcan las normas y precauciones de seguridad aplicables.

Al realizar las conexiones eléctricas, siga las instrucciones de seguridad siguientes:



¡AVISO! ¡Riesgo de cortocircuito!

- Utilice siempre cajas de enchufe que tengan toma a tierra y que estén protegidas por disyuntores diferenciales.
 - Cuando tenga que hacer pasar los cables a través de paredes metálicas o de otro tipo con bordes afilados, utilice conductos o tubos para evitar que se dañen.
 - No tienda cables sueltos o doblados cerca de material conductor (metal).
 - Fije firmemente los cables.
 - No someta los cables a tracción.
 - Tienda los cables de forma que no se pueda tropezar con ellos ni se puedan dañar.
- Compruebe la placa de características del lado derecho del hornillo para garantizar que la tensión de la unidad se corresponda con la tensión de la fuente.

- Conecte los tres conductores del cable de conexión a la red de corriente alterna.
- Fije el cable con una abrazadera.

8 Utilización del hornillo

8.1 Rellenar de alcohol desnaturalizado



¡ADVERTENCIA!

No vierta nunca el combustible por los orificios del quemador de la parte superior del hornillo (fig. **1**, página 2).

Un llenado excesivo, el alcohol vertido y los objetos calientes pueden causar quemaduras graves.

- Asegúrese de que todos los quemadores estén apagados:
 - Funcionamiento con alcohol desnaturalizado: gire el botón de mando a la posición de apagado
 - Funcionamiento con red de 220–240 V (**únicamente C100 y C200**): apague los elementos calefactores
- Asegúrese de que el hornillo se haya enfriado hasta la temperatura ambiente.
- Abra la parte superior del hornillo (fig. **7**, página 5).

Extraer el cartucho

En el modo de funcionamiento, el fijador flexible (fig. **8** 1, página 5) queda bloqueado en la entalladura del seguro (fig. **8** 2 página 5).

- Para soltar el depósito de combustible, empuje el fijador (fig. **9** 1, página 5) en el sentido de la flecha y gire el seguro (fig. **9** 2, página 5) en el sentido de las agujas del reloj (fig. **10**, página 5).
- Cuando el fijador (fig. **11** 1, página 5) esté en posición vertical, empújelo en el sentido de la flecha.
- ✓ Se suelta el cartucho.
- Extraiga el cartucho.

Rellenar alcohol de quemar

- ▶ Compruebe que en la boca del cartucho no haya fuego ni incandescencia.
- ▶ Antes de llenar el cartucho, asegúrese de que está lo suficientemente frío para poder cogerlo con la mano.
- ▶ Mantenga el cartucho inclinado hacia abajo (fig. **12**, página 6).
- ▶ Rellene de alcohol desnaturalizado a través de la rejilla por la boca de los cartuchos.
La capacidad máxima de un cartucho es de 1,2 l.
- ▶ Compruebe el nivel de combustible poniendo el cartucho en vertical (fig. **13**, página 6).

Mantenga esta posición durante 20 s para asegurarse de que no esté excesivamente lleno. En caso de que accidentalmente se haya llenado demasiado, puede extraer el exceso de combustible.

- ✓ El nivel máximo de combustible se alcanza cuando éste puede verse en el fondo de la boca.



NOTA

El hornillo funcionará aunque el cartucho no esté lleno hasta su capacidad máxima.

- ▶ Limpie del exterior del cartucho el alcohol que haya podido verterse.

Colocar el cartucho

- ▶ Inserte el cartucho en el aparato hasta el tope de forma que lo bloquee el fijador (fig. **14** 1, página 6).
- ▶ Para bloquear el fijador (fig. **15** 1, página 6) empújelo en el sentido de la flecha y gire, al mismo tiempo, el seguro (fig. **15** 2, página 6) en el sentido contrario a las agujas del reloj hasta que encaje el fijador (fig. **15** 1, página 6).

8.2 Encendido del hornillo



¡ATENCIÓN!

Para encender utilice cerillas largas o un encendedor de cocina. Retire la mano rápidamente en cuanto se haya encendido el quemador.

- ▶ Gire el mando para abrir la alimentación.
- ✓ Ahora el quemador recibe alimentación de alcohol.
- ▶ Encienda el hornillo acercando una cerilla larga o un encendedor de cocina a los orificios del quemador (fig. **16**, página 7).
- ▶ Ajuste la llama para que no sobresalga del borde de la cazuela.
- ▶ Seleccione el nivel de potencia que desee con el botón de mando.



NOTA

Si el hornillo no se ha enfriado aún de un uso previo, puede que al encender el quemador se apague inmediatamente. En ese caso, introduzca aire en la abertura del quemador para disipar el vapor. Después, encienda el hornillo como se describe arriba.

8.3 Extinción de la llama

- ▶ Gire el botón de mando a la posición de apagado.
- ✓ El quemador está cerrado.
- ▶ Espere unos cinco segundos.
- ▶ Gire el botón de mando a la posición máxima para asegurarse de que la llama esté apagada.
- ✓ El quemador está abierto.
- ▶ Gire el botón de mando a la posición de apagado.
- ✓ El quemador está cerrado.
- ▶ Espere a que el hornillo se enfríe completamente antes de volver a colocar la tapa de vidrio (en caso de haber una; **accesorio**).

8.4 Utilizar el elemento calefactor (Sólo para Dometic ORIGO C100 y C200)



¡AVISO!

No utilice nunca simultáneamente quemadores de alcohol y eléctricos para evitar un sobrecalentamiento que pueda destruir el elemento calefactor.

- Si su hornillo dispone de una tapa de vidrio (**accesorio**), levántela.
- Para **encender** el elemento calefactor, presione el botón del nivel de potencia hacia dentro y gírelo en el sentido de las agujas del reloj.
- Elija la potencia que desee.
- Para **apagar** el elemento calefactor, gire el botón del nivel de potencia hasta la posición de apagado.
- Deje enfriar completamente el elemento calefactor antes de cerrar la tapa de vidrio (**accesorio**) o tocar la superficie del hornillo, o de permitir que material inflamable entre en contacto con la parte superior del hornillo.

9 Limpieza y mantenimiento del hornillo



¡AVISO!

No utilice objetos afilados o duros para limpiar el aparato, ya que podrían dañarlo.

- Retire la parrilla de la parte superior del hornillo.
- Limpie la parte superior del hornillo. En especial, retire con cuidado la grasa adherida y el aceite.
- **Sólo para C100 y C200:** levante el elemento calefactor hasta que note cierta resistencia. Limpie el hornillo por debajo del elemento calefactor.
- No utilice nunca un limpiador a vapor para limpiar el hornillo.

10 Garantía

Rige el plazo de garantía legal. Si el producto presenta algún defecto, diríjase a su establecimiento especializado o a la sucursal del fabricante de su país (ver direcciones en el dorso de estas instrucciones).

Para la tramitación de la reparación y de la garantía debe enviar también los siguientes documentos:

- una copia de la factura con fecha de compra,
- el motivo de la reclamación o una descripción de la avería.

11 Gestión de residuos

- Deseche el material de embalaje en el contenedor de reciclaje correspondiente.



Cuando vaya a desechar definitivamente el producto, infórmese en el centro de reciclaje más cercano o en un comercio especializado sobre las normas pertinentes de eliminación de materiales.

SVIB

12 Datos técnicos

	Hornillo Dometic ORIGO	
	A100	A200
Art. n.º:	9103303935	9103303937
Número de quemadores:	1	2
Duración de la combustión:	aprox. 4,5 h	
Potencia del quemador:	2000 W	
Tiempo de ebullición para 1 l de agua:	10 min	
Capacidad del cartucho:	1,2 l	
Dimensiones (A x H x P):	270 x 160 x 365 mm	500 x 160 x 365 mm
Peso:	3,5 kg	7 kg

	Hornillo Dometic ORIGO	
	C100	C200
Art. n.º:	9103303939	9103303941
Número de quemadores:	1	2
Duración de la combustión:	aprox. 4,5 h	
Potencia del quemador:	2000 W	
Tensión de alimentación:	220–240 V	
Potencia del elemento calefactor:	1200 W / elemento	
Tiempo de ebullición para 1 l de agua:	10 min	
Capacidad del cartucho:	1,2 l	
Dimensiones (A x H x P):	270 x 160 x 365 mm	500 x 160 x 365 mm
Peso:	3,5 kg	7 kg

Prima di effettuare la messa in funzione, leggere accuratamente questo manuale di istruzioni, conservarlo e, nel caso in cui il prodotto venga consegnato ad un altro utente, consegnare anche le relative istruzioni.

Indice

1	Spiegazione dei simboli	71
2	Istruzioni generali di sicurezza	71
3	Dotazione	75
4	Accessori	75
5	Uso conforme alla destinazione	76
6	Descrizione delle caratteristiche tecniche	76
7	Montaggio del fornello	77
8	Uso del fornello	80
9	Pulizia e manutenzione del fornello	83
10	Garanzia	84
11	Smaltimento	84
12	Specifiche tecniche	85

1 Spiegazione dei simboli

**AVVERTENZA!**

Avviso di sicurezza: la mancata osservanza di questo avviso può causare ferite gravi anche mortali.

**ATTENZIONE!**

Avviso di sicurezza: la mancata osservanza di questo avviso può essere causa di lesioni.

**AVVISO!**

La mancata osservanza di questa nota può causare danni materiali e compromettere il funzionamento del prodotto.

**NOTA**

Informazioni integranti relative all'impiego del prodotto.

➤ **Modalità di intervento:** questo simbolo indica all'utente che è necessario un intervento. Le modalità di intervento necessarie saranno descritte passo dopo passo.

✓ Questo simbolo descrive il risultato di un intervento.

fig. 1 5, pagina 3: questi dati si riferiscono ad un elemento in una figura, in questo caso alla "posizione 5 nella figura 1 a pagina 3".

2 Istruzioni generali di sicurezza

Il produttore non si assume nessuna responsabilità per danni nei seguenti casi:

- danni al prodotto dovuti a influenze meccaniche o a sovratensioni
- modifiche al prodotto senza esplicita autorizzazione del produttore
- impiego per altri fini rispetto a quelli descritti nel manuale di istruzioni

Quando vengono usati apparecchi elettrici, attenersi alle misure di sicurezza descritte qui di seguito per proteggersi da:

- scosse elettriche
- pericolo di incendio
- lesioni

2.1 Sicurezza generale



AVVERTENZA!

- Utilizzare solo alcool denaturato. **Non** usare altri tipi di combustibile quali benzina, diesel, metanolo, propano o accenditore per carbone.
- **Pericolo di asfissia!**
Prima di mettere in funzione l'apparecchio, assicurarsi che l'area sia sufficientemente ventilata.
- Posizionare un estintore di classe A (per incendi prodotti da alcool) a portata di mano.
Assicurarsi che esso venga controllato regolarmente da parte di personale qualificato.
- Persone (bambini compresi) che a causa della proprie capacità fisiche, sensoriali o mentali, oppure che a causa della propria inesperienza e scarsa conoscenza non siano in grado di utilizzare il prodotto in modo sicuro, devono evitare di utilizzarlo se non in presenza e seguendo le istruzioni di una persona per loro responsabile.
- **I dispositivi elettrici non sono giocattoli**
Tenere gli apparecchi elettrici fuori dalla portata di bambini o di persone che non sono in grado di utilizzarli. Non lasciare che li usino se non in presenza di una persona che li sorvegli.



AVVISO!

- Usare il fornello unicamente per l'uso conforme alla sua destinazione.

Fornelli ad alcool/elettrici Dometic ORIGO solo C100 e C200**AVVERTENZA!**

- Posizionare un estintore di classe B-1 (per incendi elettrici) a portata di mano.
Assicurarsi che esso venga controllato regolarmente da parte di personale qualificato.
- Quando si utilizza l'apparecchio, scollegare sempre l'alimentazione elettrica.
- I lavori di manutenzione e di riparazione devono essere effettuati unicamente da personale qualificato che sia a conoscenza dei pericoli connessi e delle relative norme.
- Se il cavo di connessione è danneggiato, deve essere sostituito da personale qualificato.
Riparazioni inadeguate possono causare gravi rischi.
- Se il fornello non è dotato di una spina accessibile, è necessario un dispositivo di stacco dei poli integrato nel cavo.
- Informarsi su come spegnere l'interruttore automatico o il fusibile in caso di emergenza.

2.2**Misure di sicurezza nell'uso di alcool denaturato****AVVERTENZA!**

- Tenere le sostanze infiammabili lontano da dispositivi per il riscaldamento o la cottura e da altre fonti di luce e calore.
- Conservare l'alcool solo in recipienti adatti e a distanza adeguata dal fornello.
- Rimuovere tutte le fonti di scintille o fiamme dal luogo in cui viene conservato l'alcool o riempito il serbatoio.
- Non riempire mai i serbatoi se sono ancora nel fornello. Non versare mai il combustibile nelle aperture del bruciatore sulla parte superiore del fornello (fig. 1, pagina 2).
- In caso di eccessivo riempimento, l'alcool fuoriuscito a contatto con oggetti caldi può causare gravi ustioni.
- La fiamma dell'alcool denaturato risulta quasi invisibile; per questo motivo può causare gravi danni prima che si noti il pericolo.

**AVVISO!**

- Pulire subito l'alcool fuoriuscito per evitare una combustione incontrollata.
- Non fumare quando si maneggia l'alcool o quando il fornello è in funzione.
- Riempire il serbatoio solo fino al livello di riempimento massimo. L'alcool si espande nel serbatoio se riscaldato. L'alcool fuoriuscito potrebbe causare una combustione incontrollata all'interno del fornello.

2.3 Uso sicuro del dispositivo

**AVVERTENZA!**

- Usare fiammiferi o accendini lunghi per accendere il bruciatore. Togliere rapidamente la mano non appena il bruciatore si accende.
- Indossare abiti adatti quando si mette in funzione il fornello. Non indossare abiti svolazzanti che possono prendere fuoco.

**AVVISO!**

- Lasciare che il fornello si raffreddi fino a raggiungere la temperatura ambiente prima di toccarlo a mani nude.
- Mantenere l'area attorno al fornello e le parti interne libere da lubrificanti, grasso, sostanze alcoliche, plastica o tessuti infiammabili (ad esempio tende, asciugamani, utensili da cucina).
- Usare esclusivamente pentole e padelle con il fondo piatto e con un diametro massimo di 23 cm (9"). Pentole e padelle devono essere larghi abbastanza da coprire l'elemento riscaldante. L'uso di utensili troppo piccoli esporrebbe una parte dell'elemento riscaldante al contatto diretto con tessuti che potrebbero incendiarsi. Utensili delle giuste dimensioni aumentano anche l'efficienza dell'apparecchio.
- Quando si cucina, assicurarsi che pentole e padelle siano posizionate in modo sicuro. Si consiglia l'uso di presine (fig. 2, pagina 2, **accessorio**).

- I manici delle pentole non devono mai estendersi oltre il bordo del fornello. Disporre i manici delle pentole verso l'interno, ma non sopra i bruciatori. In questo modo si ridurrà al minimo la possibilità di fuoriuscita di liquidi, di combustione di materiali infiammabili e/o di ustioni gravi.
- Prestare attenzione quando si riscaldano grassi o olio. I grassi e l'olio si infiammano se esposti a forti fonti di calore.
- Usare solo presine asciutte per evitare la formazione di vapore. Non usare asciugamani o oggetti in tessuto perché potrebbero prendere fuoco.
- Non lasciare i fornelli incustoditi quando si cucina. Le pentole che bollono sul fuoco possono causare l'emissione di fumo e incendi.
- Portare il regolatore del bruciatore (fig. **2** 1, pagina 2) in posizione Off prima di rimuovere la pentola.
- Non usare il fornello per riscaldare l'ambiente.
- **Solo Dometic Origo C100 e C200:** non usare contemporaneamente bruciatori ad alcool o elettrici per evitare un surriscaldamento che potrebbe distruggere +l'elemento riscaldante.
- **Solo Dometic Origo C100 e C200:** mettere in funzione i bruciatori elettrici impostandoli su un'alta potenza senza che vi sia posizionata una pentola piena, può danneggiare il fornello.

3 Dotazione

- Fornello
- Manuale d'istruzioni

4 Accessori

Descrizione	Art. n.			
	A100	A200	C100	C200
Copertura in vetro	9103303992	9103303991	9103303992	9103303991
Presina	9103303982		9103303982	
Serbatoio	9103303993		9103303993	

5 Uso conforme alla destinazione

I fornelli Dometic ORIGO sono progettati per l'uso all'interno di veicoli o barche.

6 Descrizione delle caratteristiche tecniche

6.1 Funzione

Il fornello è in acciaio inox e funziona in base al principio di assorbimento. Il serbatoio ha una capacità di 1,2 l di alcool denaturato che viene usato come combustibile. Per accendere il bruciatore usare fiammiferi lunghi o un accendigas.

L'alcool viene assorbito in un materiale non infiammabile nel serbatoio. Non è dotato di valvola o condotti del combustibile, che potrebbero presentare perdite, né di altri componenti che potrebbero richiedere una manutenzione regolare.

I fornelli ad alcool/elettrici Dometic ORIGO C100 e C200 sono dotati di un elemento da 1200 W (UE). Possono essere usati sia con alcool sia con tensione da 220–240 V.

6.2 Specifiche per le varianti dell'apparecchio

Sono disponibili diversi modelli di fornelli.

- **A100 e C100:** unità con bruciatore singolo
- **A100 e C200:** unità con doppio bruciatore
- **C100 e C200:** elemento riscaldabile supplementare per funzionamento con con 220–240 V

Il numero dell'articolo si trova sulla piastra di identificazione sul lato destro del fornello.

6.3 Elementi di comando

Elementi di comando per l'uso con alcool denaturato (fig. **2**, pagina 2):

N.	Descrizione
1	Manopola di controllo, regolabile in modo continuo Ruotare in senso antiorario per alzare la fiamma del bruciatore
2	Presine (accessorio)

Elementi di comando per funzionamento con rete di alimentazione (fig. **3**, pagina 3) da 220–240 V (Dometic ORIGO C100 e C200)

N.	Descrizione
1	LED di stato Il LED si accende quando l'alimentazione è collegata.
2	Manopola per la regolazione di potenza Ruotare in senso orario per aumentare la regolazione di potenza dell'elemento riscaldante

7 Montaggio del fornello

È possibile montare il fornello nel piano di lavoro della cucina.

7.1 Come scegliere il luogo per l'installazione

Quando si sceglie il luogo per l'installazione, tenere presente quanto segue:

- Selezionare un luogo ben ventilato.
- Lasciare una distanza minima (fig. **6**, pagina 4) di
 - 50 mm tra l'apparecchio e i muri laterali e posteriori
 - 750 mm tra la serpentina del fornello e la superficie orizzontale al di sopra del fornello
- Evitare di installare il dispositivo in un luogo dove sono presenti correnti d'aria.
Se si monta il fornello in una cabina aperta o in altri luoghi aperti, montare un'ulteriore protezione contro il vento.
- Evitare di montare credenze sopra il fornello.
Nel tentativo di accedervi si potrebbero infatti provocare ustioni o incendi.

- **Non** metter in funzione l'apparecchio in luoghi soggetti a pericolo di esplosioni.

7.2 Installazione del fornello



AVVISO! Pericolo di danni al dispositivo!

Prima di effettuare fori, assicurarsi che nessun cavo elettrico o altri componenti del veicolo vengano danneggiati dall'uso di trapani, seghe e lime.

- Eseguire un foro rettangolare nel piano da lavoro (per le dimensioni consultare la seguente tabella):

Modello	Dimensioni (L x P x A)
A100	255 x 150 x 340 mm
A200	485 x 150 x 340 mm
C100	255 x 150 x 340 mm
C200	485 x 150 x 340 mm

- Aprire la parte superiore e rimuovere i serbatoi (vedi "Estrazione del serbatoio" a pagina 80).
- Aprire la cerniera sulla parte posteriore del fornello.
- Posizionare il fornello come in fig. **4**, pagina 3.
- Contrassegnare i fori.
Utilizzare i fori di bloccaggio nella cerniera come modello.
- Preforare i fori contrassegnati nel piano da lavoro.
- Fissare il fornello con viti a testa piatta in ogni foro della cerniera (fig. **5** 2, pagina 4).
- Montare il blocco magnetico sulla parte anteriore del taglio (fig. **4** 1, pagina 3).
- Posizionare un estintore (classe B-1) a portata di mano.

7.3 Collegamento elettrico del fornello (Solo Dometic ORIGO C100 e C200)



AVVERTENZA!

Il fornello deve essere collegato solo da specialisti qualificati. Le seguenti informazioni si rivolgono a tecnici specializzati a conoscenza delle istruzioni e delle precauzioni di sicurezza da applicare.

Osservare le seguenti indicazioni di sicurezza per il collegamento elettrico:



AVVISO! Pericolo di corto circuito!

- Usare sempre prese collegate a massa e protette da disgiuntori della corrente residua.
- Se si intende far passare i cavi attraverso pareti in lamiera o pareti che hanno spigoli vivi, usare condotti o canaline per evitare danni.
- Non posare cavi in modo malfermo o con forti pieghe in prossimità di materiali conduttori di elettricità (metallo).
- Fissare bene i cavi.
- Non tirare i cavi.
- Posare i cavi in modo che non sia possibile inciamparvi o danneggiarli.

- Controllare la piastra di identificazione sul lato destro del fornello per assicurarsi che la tensione dell'unità sia la stessa della fonte di alimentazione.
- Collegare i tre conduttori del cavo di connessione alla rete di alimentazione a corrente alternata.
- Assicurare il cavo con una fascetta.

8 Uso del fornello

8.1 Riempimento con alcool denaturato



AVVERTENZA!

Non versare mai il combustibile nelle aperture del bruciatore sulla parte superiore del fornello (fig. **1**, pagina 2).
In caso di eccessivo riempimento, l'alcool fuoriuscito a contatto con oggetti caldi può causare gravi ustioni.

- Assicurarsi che tutti i bruciatori siano spenti:
 - funzionamento con alcool denaturato: ruotare la manopola di controllo in posizione Off
 - funzionamento con rete di alimentazione da 220–240 V (solo **C100 e C200**): spegnere gli elementi riscaldanti
- Assicurarsi che il fornello si raffreddi a temperatura ambiente.
- Aprire la parte superiore del fornello (fig. **7**, pagina 5).

Estrazione del serbatoio

Nel modo operativo il supporto flessibile (fig. **8** 1, pagina 5) situato nell'apertura del fusibile (fig. **8** 2, pagina 5) è bloccato.

- Per rimuovere il serbatoio del carburante, premere il supporto (fig. **9** 1, pagina 5) in direzione della freccia e ruotare il fusibile (fig. **9** 2, pagina 5) in senso orario (fig. **10**, pagina 5).
- Quando il supporto (fig. **11** 1, pagina 5) si trova in posizione verticale, premerlo in direzione della freccia.
- ✓ Il serbatoio si sblocca.
- Estrarre il serbatoio.

Riempimento con alcool denaturato

- Controllare l'apertura del serbatoio per assicurarsi che non siano presenti fuoco o incandescenza.
- Prima di riempire il serbatoio, assicurarsi che sia freddo abbastanza da poterlo tenere a mani nude.
- Tenere il serbatoio inclinato verso il basso (fig. **12**, pagina 6).

- Riempire con alcool denaturato attraverso la rete metallica nell'apertura dei serbatoi.
Non superare la capacità massima del serbatoio (1,2 l).
- Controllare il livello del combustibile portando il serbatoio in posizione verticale (fig. 13, pagina 6).
Tenerlo in questa posizione per 20 sec, per assicurarsi che non sia troppo pieno. Inoltre, nel caso in cui sia stato riempito troppo, è possibile togliere il combustibile in eccesso.
- ✓ Il livello massimo di combustibile è stato raggiunto quando il combustibile è visibile sulla parte inferiore dell'apertura.

**NOTA**

Il fornello funziona anche se il serbatoio non è stato riempito al livello massimo.

- Pulire l'alcool che potrebbe essere fuoriuscito dal serbatoio.

Inserimento del serbatoio

- Inserire il serbatoio nell'apparecchio fino all'arresto, in modo tale che il supporto lo blocchi (fig. 14 1, pagina 6).
- Per assicurare il supporto (fig. 15 1, pagina 6), premerlo in direzione della freccia e contemporaneamente girare il fusibile (fig. 15 2, pagina 6) in senso antiorario fino all'innesto del supporto (fig. 15 1, pagina 6).

8.2 Accensione del fornello**ATTENZIONE!**

Per l'accensione utilizzare fiammiferi molto lunghi o un accendigas. Non appena il bruciatore si è acceso, allontanare la mano.

- Ruotare il regolatore.
- ✓ Il bruciatore è attivo.
- Accendere il fornello avvicinando un fiammifero lungo oppure un accendigas all'apertura del bruciatore (fig. 16, pagina 7).
- Regolare la fiamma in modo che non si estenda oltre il bordo del fondo della pentola.
- Scegliere l'impostazione desiderata ruotando la manopola di controllo.



NOTA

Se il fornello non si è ancora raffreddato dall'ultima volta in cui è stato usato, il bruciatore potrebbe accendersi per poi spegnersi subito. In questo caso, soffiare nell'apertura del bruciatore per disperdere il vapore.

Accendere poi il fornello come descritto sopra.

8.3 Come spegnere la fiamma

- ▶ Ruotare la manopola di controllo in posizione Off.
- ✓ Il bruciatore è spento.
- ▶ Attendere circa cinque secondi.
- ▶ Ruotare la manopola di controllo sulla posizione massima per assicurarsi che la fiamma sia spenta.
- ✓ Il bruciatore è acceso.
- ▶ Ruotare la manopola di controllo in posizione Off.
- ✓ Il bruciatore è spento.
- ▶ Eventualmente attendere fino a che il fornello si è raffreddato completamente prima di rimettere la copertura in vetro (**accessorio**).

8.4 Uso dell'elemento riscaldante (Solo Dometic ORIGO C100 e C200)



AVVISO!

Non usare contemporaneamente bruciatori ad alcool o elettrici per prevenire il surriscaldamento che può portare alla distruzione dell'elemento riscaldante.

- ▶ Se necessario sollevare la copertura in vetro (**accessorio**).
- ▶ Per **accendere** l'elemento riscaldante premere e ruotare in senso orario la manopola per la regolazione di potenza.
- ▶ Scegliere la potenza desiderata.
- ▶ Per **spegnere** l'elemento riscaldante ruotare la manopola per la regolazione di potenza in posizione Off.

- Far raffreddare completamente l'elemento riscaldante prima di chiudere la copertura in vetro (**accessorio**), di toccare la parte superiore del fornello o di far entrare in contatto il fornello con materiale infiammabile.

9 Pulizia e manutenzione del fornello



AVVISO!

Non usare utensili affilati o duri per pulire il fornello, in quanto potrebbero danneggiarlo.

- Rimuovere la griglia dalla parte superiore del fornello.
- Pulire la parte superiore del fornello. Pulire con cura particolare le macchie di grasso e olio.
- **Solo C100 e C200:** alzare l'elemento riscaldante finché si avverte una resistenza. Pulire il fornello al di sotto dell'elemento riscaldante.
- Non utilizzare un pulitore a vapore per pulire il fornello.

SVIB

10 Garanzia

Vale il termine di garanzia previsto dalla legge. Qualora il prodotto risultasse difettoso, La preghiamo di rivolgersi al proprio rivenditore specializzato o alla filiale del produttore del suo Paese (l'indirizzo si trova sul retro del manuale di istruzioni).

Per la riparazione e per il disbrigo delle condizioni di garanzia è necessario inviare la seguente documentazione:

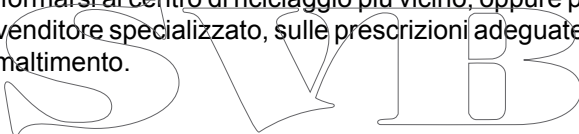
- una copia della fattura con la data di acquisto del prodotto,
- un motivo su cui fondare il reclamo, oppure una descrizione del guasto.

11 Smaltimento

- Raccogliere il materiale di imballaggio possibilmente negli appositi contenitori di riciclaggio.



Quando il prodotto viene messo fuori servizio definitivamente, informarsi al centro di riciclaggio più vicino, oppure presso il proprio rivenditore specializzato, sulle prescrizioni adeguate concernenti lo smaltimento.



12 Specifiche tecniche

	Fornello Dometic ORIGO	
	A100	A200
Art. n.:	9103303935	9103303937
Numero di bruciatori:	1	2
Durata della combustione:	circa 4,5 h	
Potenza del bruciatore:	2000 W	
Tempo di cottura per 1 l d'acqua:	10 min	
Capacità del serbatoio:	1,2 l	
Dimensioni (L x A x P):	270 x 160 x 365 mm	500 x 160 x 365 mm
Peso:	3,5 kg	7 kg

	Fornello Dometic ORIGO	
	C100	C200
Art. n.:	9103303939	9103303941
Numero di bruciatori:	1	2
Durata della combustione:	circa 4,5 h	
Potenza del bruciatore:	2000 W	
Tensione di alimentazione:	220–240 V	
Potenza dell'elemento riscaldante::	1200 W / elemento	
Tempo di cottura per 1 l d'acqua:	10 min	
Capacità del serbatoio:	1,2 l	
Dimensioni (L x A x P):	270 x 160 x 365 mm	500 x 160 x 365 mm
Peso:	3,5 kg	7 kg

Lees deze handleiding voor de ingebruikneming zorgvuldig door en bewaar hem. Geef de handleiding bij het doorgeven van het product aan de gebruiker.

Inhoudsopgave

1	Verklaring van de symbolen	87
2	Algemene veiligheidsaanwijzingen	87
3	Leveringsomvang	91
4	Toebehoren	91
5	Beoogd gebruik	92
6	Technische beschrijving	92
7	Kooktoestel monteren	93
8	Kooktoestel gebruiken	96
9	Kooktoestel reinigen en onderhouden	99
10	Garantie	99
11	Afvoeren	99
12	Technische gegevens	100

1 Verklaring van de symbolen

**WAARSCHUWING!**

Veiligheidsaanwijzing: Het niet naleven kan leiden tot overlijden of ernstig letsel.

**VOORZICHTIG!**

Veiligheidsaanwijzing: Het niet naleven kan leiden tot letsel.

**LET OP!**

Het niet naleven ervan kan leiden tot materiële schade en de werking van het product beperken.

**INSTRUCTIE**

Aanvullende informatie voor het bedienen van het product.

- **Handeling:** dit symbool geeft aan dat u iets moet doen. De vereiste handelingen worden stap voor stap beschreven.
- ✓ Dit symbool beschrijft het resultaat van een handeling.

afb. 1 5, pagina 3: deze aanduiding wijst u op een element in een afbeelding, in dit voorbeeld op „positie 5 in afbeelding 1 op pagina 3”.

2 Algemene veiligheidsaanwijzingen

De fabrikant kan in de volgende gevallen niet aansprakelijk worden gesteld voor schade:

- beschadiging van het product door mechanische invloeden en overspanningen
- veranderingen aan het product zonder uitdrukkelijke toestemming van de fabrikant
- gebruik voor andere dan de in de handleiding beschreven toepassingen

Neem de volgende algemene veiligheidsaanwijzingen in acht als u elektrische toestellen gebruikt om u te beschermen tegen:

- elektrische schok
- brandgevaar
- letsel

2.1 Algemene veiligheid



WAARSCHUWING!

- Gebruik uitsluitend spiritus. Gebruik **geen** andere brandstoffen zoals benzine, diesel, methanol, propaan of aanmaakvloeistof voor houtskool.
- **Verstikkingsgevaar!**
Voordat u het toestel in gebruik neemt, dient u voor voldoende ventilatie in de ruimte te zorgen.
- Plaats een brandblusser (voor alcoholbrand) van klasse A in de buurt.
Zorg ervoor dat de brandblusser regelmatig door een bevoegd persoon wordt gecontroleerd.
- Personen (ook kinderen) die door hun fysieke, sensorische of geestelijke vaardigheden, of hun onervarenheid of onwetendheid niet in staat zijn om het product veilig te gebruiken, mogen dit niet zonder toezicht of instructie door een verantwoordelijke persoon doen.
- **Elektrische apparaten zijn geen speelgoed**
Houd elektrische toestellen buiten het bereik van kinderen of zwakbegaafden. Laat hen de toestellen niet gebruiken zonder toezicht.



LET OP!

- Gebruik het kooktoestel alleen volgens de bestemming.

Enkel Dometic ORIGO spiritus-/elektrische kooktoestellen C100 en C200



WAARSCHUWING!

- Plaats een brandblusser (voor elektrische brand) van klasse B-1 in de buurt.
Zorg ervoor dat de brandblusser regelmatig door een bevoegd persoon wordt gecontroleerd.
- Verbreek altijd de stroomtoevoer als u werkzaamheden aan het toestel uitvoert.
- Onderhouds- en reparatiewerkzaamheden mogen alleen worden uitgevoerd door gekwalificeerde personen die vertrouwd zijn met de risico's en de relevante richtlijnen.
- Als de aansluitkabel is beschadigd moet deze worden vervangen door gekwalificeerde medewerkers.
Inadequate reparaties kunnen leiden tot aanmerkelijke risico's.
- Als het kooktoestel niet wordt aangesloten met een toegankelijke stekker moet de volledig pool-afsluiting worden geïntegreerd in de vaste bedrading.
- Informeer u over het uitschakelen van de stroomonderbreker of zekering in geval van nood.

2.2 Veiligheidsmaatregelen bij gebruik van spiritus



WAARSCHUWING!

- Houd ontvlambare stoffen uit de buurt van verwarmings- en kooktoestellen en andere licht- en warmtebronnen.
- Bewaar spiritus uitsluitend in geschikte verpakkingen en op voldoende afstand van het kooktoestel.
- Verwijder alle vonk- of vuurbronnen van plaatsen waar de spiritus wordt bewaard of gevuld.
- Vul de tanks nooit terwijl deze zich nog in het kooktoestel bevinden. Giet nooit brandstof door de pitopeningen op het boven-deel van het kooktoestel (afb. 1, pag. 2).
- Overmatige of gemorste spiritus en hete voorwerpen kunnen ernstige brandwonden veroorzaken.
- Spiritus brandt met een vrijwel onzichtbare vlam, zodat er grote schade kan ontstaan voordat u het gevaar opmerkt.

**LET OP!**

- Dweil gemorste spiritus meteen op om een oncontroleerbare brand te voorkomen.
- Rook niet als u de spiritus gebruikt of als u het kooktoestel bedient.
- Vul de tank enkel tot het maximale volume. Spiritus zet uit in de tank als deze verwarmd. Overstromende spiritus kan oncontrolebaar vuur in het kooktoestel veroorzaken.

2.3 Het toestel veilig bedienen

**WAARSCHUWING!**

- Gebruik lange lucifers om de pit aan te steken. Trek uw hand snel weg zodra de pit ontvlamt.
- Draag geschikte kleding wanneer u het kooktoestel gebruikt. Draag geen losse kleding die vuur kan vatten.

**LET OP!**

- Laat het kooktoestel afkoelen tot de omgevingstemperatuur voordat u het aanraakt met blote handen.
- Houd de ruimte om het kooktoestel en de onderdelen vrij van vet, alcoholische vloeistoffen, kunststoffen of ontvlambare dozen (bijvoorbeeld gordijnen, vaatdoeken, keukenmachines).
- Gebruik alleen pannen met een vlakke bodem en met een maximale diameter van 23 cm (9"). De pannen moeten voldoende groot zijn om het verwarmingselement te bedekken. Door het gebruik van te kleine pannen is een gedeelte van het verwarmingselement toegankelijk voor directe aanraking en dat kan leiden tot het verbranden van de kleding. Het gebruik van voldoende grote pannen is bovendien efficiënter.
- Zorg ervoor dat de pannen veilig staan. Het gebruik van panhouders wordt aanbevolen (afb. **2**, pagina 2, **toebehoren**).
- Zorg ervoor dat de pangrepen niet uitsteken buiten het oppervlak van het kooktoestel. Draai de pangrepen naar binnen, maar niet zover dat ze boven andere pitten staan. Hiermee houdt u de kans op morsen, ontvlammen van brandbare materialen en/of ernstige brandwonden zo klein mogelijk.

- Wees voorzichtig als u vet of olie verwarmt. Vet en olie kunnen vuur vatten wanneer ze aan grote hitte blootgesteld worden.
- Gebruik alleen droge pannenlappen om stoomvorming te voorkomen. Gebruik geen handdoeken of dergelijke in plaats van pannenlappen, aangezien deze vlam kunnen vatten.
- Laat het kooktoestel nooit onbeheerd achter wanneer u aan het koken bent. Overkokende pannen kunnen rook en brand veroorzaken.
- Draai de pitknop (afb. **2** 1, pagina 2) uit voordat u de pan verwijdert.
- Gebruik het kooktoestel niet om de ruimte te verwarmen.
- **Enkel Dometic Origo C100 en C200:** Gebruik de spiritus- en elektrische pitten niet tegelijkertijd, anders kan het toestel oververhit raken en het verwarmingselement vernietigen.
- **Enkel Dometic Origo C100 en C200:** Het gebruik van elektrische pitten op een hoge stand zonder een gevulde pan kan het kooktoestel beschadigen.

3 Leveringsomvang

- Kooktoestel
- Bedieningshandleiding

4 Toebehoren

Beschrijving	Itemnr.			
	A100	A200	C100	C200
Glasdeksel	9103303992	9103303991	9103303992	9103303991
Panhouder	9103303982		9103303982	
Tank	9103303993		9103303993	

5 Beoogd gebruik

De Dometic ORIGO kooktoestellen zijn ontworpen voor het gebruik in voertuigen en boten.

6 Technische beschrijving

6.1 Werking

Het kooktoestel is gemaakt van roestvrij staal en maakt gebruik van het absorptieprincipe. De tank heeft een volume van 1,2 l. Als brandstof wordt spiritus gebruikt. De brander wordt met lange lucifers of een aansteker aangestoken.

Spiritus wordt geabsorbeerd door niet ontvlambaar materiaal in de tank. Het toestel is niet uitgerust met een brandstofventiel of brandstofleidingen, die kunnen lekken, of met andere soortgelijke componenten die regelmatig moeten worden onderhouden.

De spiritus-/elektrische kooktoestellen C100 en C200 zijn uitgerust met een 1200 W (EU) element. Ze werken op spiritus of 220–240 V.

6.2 Specificatie voor toestelvarianten

Er zijn verschillende uitvoeringen van het kooktoestel verkrijgbaar.

- **A100 en C100:** met één pit
- **A200 en C200:** met twee pitten
- **C100 en C200:** bijkomend verwarmingselement voor het gebruik met 220–240 V

Voor de identificatie van uw toestel zie het itemnummer op het typeplaatje aan de onderkant van het kooktoestel.

6.3 Bedieningselementen

Bedieningselementen voor het gebruik met spiritus (afb. 2, pag. 2):

Nr.	Beschrijving
1	Bedieningsknop, traploos instelbaar Draai deze tegen de klok in om de pitvlam te vergroten
2	Panhouder (toebehoren)

Bedieningselementen voor gebruik op 220–240 V stroomnetten (afb. 3, pag. 3) (Dometic ORIGO C100 and C200)

Nr.	Beschrijving
1	Status-LED De LED brandt als de stroom is ingeschakeld.
2	Vermogenknop Draai deze met de klok mee om het vermogen van het verwarmings-element te verhogen

7 Kooktoestel monteren

U kunt het kooktoestel op het aanrecht in uw keuken plaatsen.

7.1 Installatieplaats kiezen

Bij het kiezen van de installatieplaats dient u de volgende aanwijzingen in acht te nemen:

- Kies een goed geventileerde plaats voor het toestel.
- Zorg voor een minimale afstand (afb. 6, pag. 4) van
 - 50 mm tot de wanden aan de zij- en achterkant
 - 750 mm tussen het spoeelement van het kooktoestel en het horizontale oppervlak boven het kooktoestel
- Vermijd tocht op installatielocatie.
Als u het kooktoestel in een open stuurhut plaatst of in andere open ruimtes monteert dan een windscherm.

- Voorkom dat de ruimte boven het kooktoestel wordt gebruikt als opbergruimte.
Anders riskeert u brandwonden en brand wanneer u zich over het kooktoestel heen buigt.
- **Gebruik het toestel** niet in een explosiegevaarlijke ruimte.

7.2 Kooktoestel installeren



LET OP! Gevaar voor beschadiging van het toestel!

Voordat u gaten gaat boren, controleert u eerst of er geen elektrische kabels of andere voertuigonderdelen kunnen worden beschadigd door boren, zagen of vullen.

- Snij een vierkant gat in het aanrecht (voor afmetingen, zie de tabel hieronder):

Model	Afmeting b x d x h
A100	255 x 150 x 340 mm
A200	485 x 150 x 340 mm
C100	255 x 150 x 340 mm
C200	485 x 150 x 340 mm

- Open het bovendeele en verwijder de tanks (zie „Tank eruit nemen” op pagina 96).
- Open het scharnierelement aan de achterzijde van het kooktoestel.
- Plaats het kooktoestel zoals weergegeven in afb. **4**, pag. 3.
- Markeer de boorgaten.
Gebruik de bevestigingsgaten in de scharnier als sjabloon.
- Boor de gaten in het aanrecht op de markeringen.
- Bevestig het kooktoestel door platkop-schroeven door elk boorgat in de scharnier (afb. **5** 2, pagina 4) te schroeven.
- Installeer de magnetische sluiting aan de voorkant van de uitsparing (afb. **4** 1, pagina 3).
- Plaats een brandblusser van klasse B-1 in de buurt.

7.3 Kooktoestel elektrisch aansluiten (Enkel Dometic ORIGO C100 en C200)



WAARSCHUWING!

Het kooktoestel mag alleen worden aangesloten door een gekwalificeerde specialist.

De volgende informatie is bedoeld voor elektromonteurs die vertrouwd zijn met de richtlijnen en de veiligheidsmaatregelen die moeten worden genomen.

Neem de volgende veiligheidsaanwijzingen in acht voor de elektrische aansluitingen:



LET OP! Kortsluitinggevaar!

- Gebruik altijd stopcontacten die geaard en beveiligd zijn met stroomonderbrekers voor reststroom.
- Gebruik kabelgoten en buizen als u de kabels door metalen wanden of andere wanden met scherpe randen voert.
- Leg geen losse of gebogen kabels naast elektrisch geleidend materiaal (metaal).
- Maak de kabels goed vast.
- Trek niet aan de kabels.
- Leg de kabels zo dat men er niet over kan struikelen of dat ze kunnen worden beschadigd.

- Controleer het typeplaatje van het kooktoestel om ervoor te zorgen dat de spanning van de unit met de spanning van de bron overeenkomt.
- Sluit de drie geleiders van de aansluitkabel aan het AC-stroomnet aan.
- Maak de kabel vast met een klem.

8 Kooktoestel gebruiken

8.1 Spiritus vullen



WAARSCHUWING!

Giet nooit brandstof door de pitopeningen op het bovendeeel van het kooktoestel (afb. **1**, pag. 2).

Overmatige of gemorste spiritus en hete voorwerpen kunnen ernstige brandwonden veroorzaken.

- Controleer of alle pitten zijn uitgeschakeld:
 - gebruik met spiritus: draai de bedieningsknop in de uit-positie
 - gebruik op 220–240 V stroomnetten (enkel **C100** en **C200**): schakel de verwarmingselementen uit
- Laat het kooktoestel afkoelen tot kamertemperatuur.
- Open het bovendeeel van het kooktoestel (afb. **7**, pag. 5).

Tank eruit nemen

In de bedrijfsmodus is de flexibele houder (afb. **8** 1, pagina 5) in de uitsnijding van de zekering (afb. **8** 2, pagina 5) vergrendeld.

- Voor het lossen van de brandstoftank drukt u op de houder (afb. **9** 1, pagina 5) in de richting van de pijl en draait u de zekering (afb. **9** 2, pagina 5) met de klok mee (afb. **10**, pag. 5).
- Als de houder (afb. **11** 1, pagina 5) verticaal staat, drukt u hem in de richting van de pijl.
- ✓ De tank wordt gelost.
- Neem de tank eruit.

Brandspiritus vullen

- Controleer de tankopening op vuur of gloeien.
- Zorg ervoor dat de tank voldoende is afgekoeld om vast te pakken met de blote handen voordat u begint met vullen.
- Kantel de tank omlaag (afb. **12**, pag. 6).
- Giet de brandspiritus door het draadgaas in de opening van de tanks. Het maximale volume per tank mag niet worden overschreden 1,2 l.

- Controleer het brandstofpeil door de tank verticaal op te tillen (afb. **13**, pag. 6).

Houd hem gedurende 20 s in deze positie en controleer of hij niet te vol is. Bovendien kunt u, als de tank per ongeluk te vol is, de overmatige brandstof verwijderen.

- ✓ Het maximale brandstofpeil is bereikt als de brandstof te zien is aan de onderzijde van de opening.



INSTRUCTIE

Het kooktoestel werkt ook als de tank niet is gevuld tot het maximale volume.

- Veeg eventueel gemorste spiritus van de buitenkant van de tank.

Tank inzetten

- Schuif de tank tot aan de aanslag in het toestel zodat de houder hem vergrendelt (afb. **14** 1, pagina 6).
- Voor het vastzetten van de houder (afb. **15** 1, pagina 6) drukt u hem in de richting van de pijl en draait u tegelijk de zekering (afb. **15** 2, pagina 6) tegen de klok in tot de houder (afb. **15** 1, pagina 6) vastklikt.

8.2 Het kooktoestel aansteken



VOORZICHTIG!

Gebruik voor het aansteken extra grote lucifers of een staafaansteker.

Trek uw hand snel terug op het moment dat de brander is aangestoken.

- Draai de regelaar open.
- ✓ De brander is geopend.
- Steek het kooktoestel aan door een extra lange lucifer of een staafaansteker aan de branderopening te houden (afb. **16**, pag. 7).
- Stel de vlam zo in dat deze niet voorbij de rand van de pan komt.
- Stel het gewenste vermogen in met de bedieningsknop.

**INSTRUCTIE**

Als het kooktoestel nog niet is afgekoeld van het vorige gebruik, kan de pit ontvlammen maar meteen weer uitgaan. Blaas in dat geval lucht in de pitopening om de stoom te verwijderen. Vervolgens steekt u het kooktoestel aan zoals hierboven beschreven.

8.3 Vlam doven

- Draai de bedieningsknop in de uit-positie.
- ✓ De pit is dicht.
- Wacht ongeveer vijf seconden.
- Draai de bedieningsknop in de maximale positie om de vlam te doven.
- ✓ De pit is geopend.
- Draai de bedieningsknop in de uit-positie.
- ✓ De pit is gesloten.
- Als het nodig is wacht u tot het kooktoestel volledig is afgekoeld voordat u de glasdeksel (**toebehoren**) verschuift.

**8.4 Gebruik van het verwarmingselement
(Enkel Dometic ORIGO C100 en C200)****LET OP!**

Gebruik de spiritus- en elektrische pitten niet tegelijkertijd, anders kan het toestel oververhit raken en het verwarmingselement vernietigen.

- Indien nodig zet u de glasdeksel (**toebehoren**) omhoog.
- Om het verwarmingselement **in te schakelen** drukt u de vermogenknop in en draait deze tegen de klok in.
- Selecteer het gewenste vermogen.
- Om het verwarmingselement **uit te schakelen** draait u de vermogenknop in de uit-positie.

- ▶ Laat het element volledig afkoelen voordat u de glasdeksel (**toebehoren**) sluit, het bovendee van het kooktoestel aanraakt of brandbaar materiaal op het bovendee legt.

9 Kooktoestel reinigen en onderhouden



LET OP!

Gebruik geen scherpe of harde voorwerpen voor de reiniging. Deze kunnen het toestel beschadigen.

- ▶ Verwijder het rooster van het bovendee van het kooktoestel.
- ▶ Reinig het bovendee van het kooktoestel. Verwijder vooral aangekoekt vet en olie.
- ▶ **Enkel C100 en C200:** Til het verwarmingselement op tot u weerstand voelt. Reinig het kooktoestel onder het verwarmingselement.
- ▶ Gebruik geen stroomreiniger voor het reinigen van het kooktoestel.

10 Garantie

De wettelijke garantieperiode is van toepassing. Als het product defect is, wendt u zich tot uw speciaalzaak of tot het filiaal van de fabrikant in uw land (adressen zie achterkant van de handleiding).

Voor de afhandeling van de reparatie of garantie dient u de volgende documenten mee te sturen:

- een kopie van de factuur met datum van aankoop,
- reden van de klacht of een beschrijving van de storing.

11 Afvoeren

- ▶ Laat het verpakkingsmateriaal indien mogelijk recyclen.



Als u het product definitief buiten bedrijf stelt, informeer dan bij het dichtstbijzijnde recyclingcentrum of uw speciaalzaak naar de betreffende afvoervorschriften.

12 Technische gegevens

	Dometic ORIGO kooktoestel	
	A100	A200
Itemnr.:	9103303935	9103303937
Aantal pitten:	1	2
Brandtijd:	ongeveer 4,5 uur	
Vermogen van de brander:	2000 W	
Kooktijd voor 1 l water:	10 min	
Tankvolume:	1,2 l	
Afmeting (b x h x d):	270 x 160 x 365 mm	500 x 160 x 365 mm
Gewicht:	3,5 kg	7 kg

	Dometic ORIGO kooktoestel	
	C100	C200
Itemnr.:	9103303939	9103303941
Aantal pitten:	1	2
Brandtijd:	ongeveer 4,5 uur	
Vermogen brander:	2000 W	
Voedingsspanning:	220–240 V	
Vermogen van het verwarmingselement:	1200 W / element	
Kooktijd voor 1 l water:	10 min	
Tankvolume:	1,2 l	
Afmeting (b x h x d):	270 x 160 x 365 mm	500 x 160 x 365 mm
Gewicht:	3,5 kg	7 kg

Læs denne vejledning omhyggeligt igennem før ibrugtagning, og gem den. Giv den til brugeren, hvis du giver produktet videre.

Indhold

1	Forklaring af symbolerne	102
2	Generelle sikkerhedshenvisninger	102
3	Leveringsomfang	106
4	Tilbehør	106
5	Anvendelsesområde	106
6	Teknisk beskrivelse	106
7	Indbygning af koger	108
8	Brug af koger	110
9	Rengøring og vedligeholdelse af kogerens	113
10	Garanti	113
11	Bortskaffelse	113
12	Tekniske data	114

1 Forklaring af symbolerne

**ADVARSEL!**

Sikkerhedshenvisning: Manglende overholdelse kan medføre død eller alvorlig kvæstelse.

**FORSIGTIG!**

Sikkerhedshenvisning: Manglende overholdelse kan medføre kvæstelser.

**VIGTIGT!**

Manglende overholdelse kan medføre materielle skader og begrænse produktets funktion.

**BEMÆRK**

Supplerende informationer om betjening af produktet.

- **Handling:** Dette symbol viser dig, at du skal gøre noget. De påkrævede handlinger beskrives trin for trin.
- ✓ Dette symbol beskriver resultatet af en handling.

fig. 1 5, side 3: Denne information henviser til et element på en figur, i dette eksempel til „Position 5 på figur 1 på side 3“.

2 Generelle sikkerhedshenvisninger

Producenten påtager sig intet ansvar for skader i følgende tilfælde:

- Beskadigelser på produktet på grund af mekanisk påvirkning og overspænding
- Ændringer på produktet uden udtrykkelig tilladelse fra producenten
- Anvendelse til andre formål end dem, der er beskrevet i vejledningen

Bemærk venligst de følgende principielle sikkerhedsforanstaltninger ved brugen af elektriske apparater som beskyttelse imod:

- Elektrisk stød
- Brandfare
- Kvæstelser

2.1 Grundlæggende sikkerhed



ADVARSEL!

- Anvend udelukkende sprit. Anvend **ingen** andre brændstoffer såsom benzin, dieselolie, methan, propan eller grilltændere.
- **Kvælningsfare!**
Sørg for, at området er tilstrækkeligt udluftet, inden apparatet tændes.
- Anbring en brandslukker af klasse A (til brande pga. sprit) i din rækkevidde.
Sørg for, at brandslukkeren inspiceres af en fagmand med jævne mellemrum.
- Personer (herunder børn), som på grund af deres fysiske, sensoriske eller psykiske evner eller på grund af deres uerfarenhed eller uvidenhed ikke er i stand til at anvende produktet sikkert, bør ikke anvende produktet uden opsyn eller instruktion ved en ansvarlig person.
- **El-apparater er ikke noget børnelegetøj**
Hold børn og svagelige personer væk fra el-apparater. Lad dem kun benytte elektriske apparater under opsyn.



VIGTIGT!

- Anvend kun kogerens i henhold til sin bestemmelse.

Kun Dometic ORIGO sprit-/elkoger C100 og C200



ADVARSEL!

- Anbring en brandslukker af klasse B-1 (til brande af elektriske årsager) i din rækkevidde.
Sørg for, at brandslukkeren inspiceres af en fagmand med jævne mellemrum.
- Afbryd altid strømforsyningen ved arbejde på apparatet.
- Service- og reparationsarbejde må kun udføres af en fagperson, som er fortrolig med de hermed forbundne farer og de gældende forskrifter.
- Hvis tilslutningskablet er beskadiget, skal det udskiftes af en fagmand.
Ukorrekte reparationer kan medføre alvorlige risici.
- Hvis kogerens ikke har et tilgængeligt stik, skal den faste trådføring være udstyret med en alpolet isolering.

- Find ud af, hvordan hhv. FI-fejlstrømsrelæet slukkes og sikringen tages ud i nødstilfælde.

2.2 Sikkerhed ved håndteringen af kogesprit



ADVARSEL!

- Hold brændbare stoffer fjern fra varme- og kogeapparater samt andre lys- og varmekilder.
- Opbevar kun kogesprit i egnede beholdere og i tilstrækkeligt stor afstand fra kogerens.
- Fjern samtlige kilder af gløder eller flammer på sprittens lager- eller påfyldningssted.
- Fyld aldrig brændergryderne i kogerens. Fyld aldrig sprit igennem brænderåbningerne i afdæningen (fig. 1, side 2).
- Ved overfyldning eller spild af kogesprit samt på grund af brandvarme genstande kan der opstå alvorlige forbrændinger.
- Idet sprit brænder med en nærmest usynlig flamme, kan der opstå alvorlige skader, inden faren bemærkes.



VIGTIGT!

- Tør straks spildt sprit op for at fjerne brandfaren.
- Undlad at ryge under håndteringen af sprit eller ved brug af kogerens.
- Fyld kun brændergryden med den maksimale påfyldningsmængde. Opvarmet kogesprit udvider sig i brændergryden. Kogesprit, som koger over, forårsager en ukontrolleret forbrænding i kogerens.

2.3 Sikkerhed ved brug af apparatet



ADVARSEL!

- Brug lange tændstikker eller en passende antænder. Træk hurtigt din hånd tilbage, så snart brænderen er tændt.
- Bær den korrekte påklædning, når du bruger kogerens. Undlad at bære løst hængende påklædning, som kan antændes.

**VIGTIGT!**

- Lad kogerens køle ned til omgivelsestemperatur, inden du rører ved den med de bare hænder.
- Hold området omkring elkogerens frit for fedt, alkoholiske substanser, plastmateriale og brændbart stof (f.eks. forhæng, håndklæder, køkkenmaterialer).
- Brug kun gryder og pander med plan bund og en diameter på højst 23 cm (9 tommer). Gryderne og panderne bør være så store, at de dækker varmeelementet. Hvis der bruges en for lille gryde eller pande, ligger en del af varmeelementet frit, hvilket kan føre til en antændelse af tøj.
Desuden er gryder og pander i den rigtige størrelse mere økonomiske.
- Sørg for, at gryderne og panderne står sikkert under kogningen. Vi anbefaler at bruge grydelapper (fig. 2 2, side 2, **tilbehør**).
- Lad aldrig gryders eller panders håndtag rage ud over kogerens. Drej håndtagene indad – dog sådan, at de ikke befinder sig over andre brændere. Dermed reduceres risikoen for spild, antændelse af brændbare stoffer og alvorlige forbrændinger.
- Vær forsigtig ved opvarmning af fedt eller olie. Fedt og olie kan antændes ved for stor varme.
- Brug kun tørre grydelapper for at undgå dampdannelsen. Undlad at bruge håndklæder e.l. i stedet for grydelapper, eftersom de kan gå op i flammer.
- Kogerens må aldrig bruges uden opsyn. Gryder, som koger over, kan forårsage røg og brande.
- Stil regulatoren (fig. 2 1, side 2) på FRA, inden du fjerner hhv. gryden og panden. gryden og panden.
- Undlad at bruge kogerens til opvarmning af rummet.
- **Kun Dometic ORIGO C100 og C200:** Brug aldrig sprit- og de elektriske brændere samtidig for at undgå overophedning; i modsat fald kan varmeelementet blive ødelagt.
- **Kun Dometic ORIGO C100 og C200:** Brugen af de elektriske brændere ved en høj temperatur uden en fyldt gryde kan beskadige kogerens.

3 Leveringsomfang

- Blus
- Betjeningsvejledning

4 Tilbehør

Beskrivelse	Art.-nr.			
	A100	A200	C100	C200
Glasafdækning	9103303992	9103303991	9103303992	9103303991
Grydeholder	9103303982		9103303982	
Reservebrændergryde	9103303993		9103303993	

5 Anvendelsesområde

ORIGO-kogerne fra Dometic er beregnet til brugen i køretøjer og både.

6 Teknisk beskrivelse

6.1 Funktion

Kogeren består af rustfrit stål og arbejder efter absorptionsprincippet. Brændergryden har en kapacitet på 1,2 l. Som brændstof bruges kogesprit. Brænderen antændes med lange tændstikker eller en tilsvarende lighter.

Kogespritten absorberes i brændergryden af et ikke brændbart materiale. Apparatet har ingen brændstofventil og ingen brændstofledninger, som kan blive utætte, eller andre sådanne komponenter, som kræver en regelmæssig service.

Dometic ORIGO sprit-/elkogerne C100 og C200 er udstyret med et varmeelement 1200 W. De kan bruges med sprit eller elektrisk med en 220 – 240 V spænding.

6.2 Specifikationer af apparatvarianterne

Kogeren fås i forskellige varianter.

- **A100 og C100:** Koger med 1 brænder
- **A200 og C200:** Koger med 2 brændere
- **C100 og C200:** Yderligere varmeelement til brug med 220 – 240 V

Du kan finde frem til din apparattype ved hjælp af det artikelnummer, som er angivet på typeskiltet på højre side af kogeren.

6.3 Betjeningslementer

Betjeningslementer for driften med sprit (fig. 2, side 2):

Art. nr.	Beskrivelse
1	Regulator, trinløst justerbar Drejning mod uret forstørker flammen.
2	Grydeholder (tilbehør)

**Betjeningslementer til brugen med 220-240 V (fig. 3, side 3)
(Dometic ORIGO C100 og C200)**

Art. nr.	Beskrivelse
1	Kontrol-LED LED'en lyser, når strømforsyningen er tændt.
2	Regulator Drejning med uret øger varmeelementets effekt.

7 Indbygning af koger

Du kan indbygge kogerens i arbejdspladen i dit køkken.

7.1 Valg af indbygningssted

Bemærk følgende henvisninger ved valget af indbygningsstedet:

- Vælg et godt udluftet sted til apparatet.
- Overhold en minimumsafstand (fig. 6, side 4) på
 - 50 mm til væggene i siden og bagved
 - 750 mm mellem varmeelementet og den vandrette flade ovenover kogerens
- Undgå træk på indbygningsstedet.
Hvis du indbygger kogerens i en åben kabine eller på andre åbne områder, skal der desuden anbringes en vindbeskyttelse.
- Undlad at indbygge kogerens nedenunder hængende skabe.
I modsat fald udsætter du dig selv for risikoen for forbrændinger og ild, mens du håndterer med kogerens.
- **Undlad** at bruge kogerens i rum med eksplosionsfare.

7.2 Indbygning af koger



VIGTIGT! Risiko for skader på apparatet!

Inden du foretager borer af nogen art, skal det kontrolleres, at ingen elektriske kabler eller andre dele af køretøjet beskadiges ved boring, savning og filning.

- Sav en firkantet udskæring i arbejdspladen (mål se følgende tabel):

Model	Mål (B x D x H):
A100	255 x 150 x 340 mm
A200	485 x 150 x 340 mm
C100	255 x 150 x 340 mm
C200	485 x 150 x 340 mm

- Åbn kogerens og tag brændergryderne ud (se „Tag brændergryden ud“ på side 110).
- Åbn delen med hængsel på bagsiden af kogerens.

- Opstil kogerens i henhold til fig. **4**, side 3.
- Tegn boringerne på.
Brug boringerne i hængslet som skabelon.
- Forbor de påtegnede boringer i arbejdspladen.
- Fastgør kogerens med undersænskruer igennem alle hængslets boringer (fig. **5** 1, side 4).
- Anbring magnetlåsen foran udskæringen (fig. **4** 1, side 3).
- Anbring en brandslukker af klasse B-1 i din rækkevidde.

7.3 Elektrisk tilslutning af kogerens (kun Dometic ORIGO C100 og C200)



ADVARSEL!

Tilslutningen af kogerens må udelukkende gennemføres af uddannede fagfirmaer.

De efterfølgende informationer henvender sig til fagfolk, som er fortrolige med de pågældende direktiver og sikkerhedsforanstaltninger.

Bemærk følgende henvisninger ved den elektriske tilslutning:



VIGTIGT! Fare for kortslutning!

- Brug kun stikkontakter, som er jordet og sikret ved et FI-fejlstrømsrelæ.
 - Hvis du skal føre ledninger igennem metalvægge eller andre vægge med skarpe kanter, skal der anvendes kanaler eller gennemførsler for at undgå beskadigelser.
 - Ledninger må ikke føres til elektrisk ledende materialer (metal) løst eller med knæk.
 - Fastgør ledningerne sikkert.
 - Undlad at trække i ledningerne.
 - Træk ledningerne således, at der ikke er fare for at snuble og en beskadigelse af kablet er udelukket.
- Kontrollér ved hjælp af kogerens typeskilt, at apparatets driftsspænding stemmer overens med spændingen i køretøjets elektriske system.

- Forbind tilslutningskablets tre ledere med nettet.
- Sikr kablet med et spændebånd.

8 Brug af koger

8.1 Påfyld kogesprit



ADVARSEL!

Fyld aldrig brændstoffet igennem brænderåbningen på kogerens overside (fig. **1**, side 2).

Ved overfyldning eller spild af kogesprit samt på grund af brandvarme genstande kan der opstå alvorlige forbrændinger.

- Kontrollér, at alle brændere er udstillet:
 - Drift med kogesprit: Stil regulatoren på FRA.
 - Drift med 220 – 240 V (**kun C100 og C200**): Sluk for varmeelementerne.
- Kontrollér, at kokeren er kølet ned til stuetemperatur.
- Klap kokeren op (fig. **7**, side 5).

Tag brændergryden ud

I driftsmodus er den fleksible holder (fig. **8** 1, side 5) i udkæringen og sikringen (fig. **8** 2, side 5) arreteret.

- For at løsne brændstofbeholderen trykkes holderen (fig. **9** 1, side 5) i pilretning og sikringen (fig. **9** 2, side 5) drejes med uret (fig. **10**, side 5).
- Når holderen (fig. **11** 1, side 5) står lodret, skal der trykkes i pilretning.
- ✓ Brændergryden løsnes.
- Tag brændergryden ud.

Påfyld kogesprit

- Kontrollér beholderåbningen og forvis dig om, at den ikke brænder eller gløder.
- Forvis dig inden påfyldningen, at brændergryden er tilstrækkeligt kølig, således at du kan holde den i de bare hænder.
- Hold brændergryden (fig. **12**, side 6) sådan, at den hælder nedad.

- Fyld kogesprit igennem trådnettet ind i brændergrydens åbning. Den maksimale påfyldningsmængde på 1,2 l pr. brændergryde må ikke overskrides.
- Kontrollér den tilladte påfyldningsmængde ved at holde brændergryden lodret nedad (fig. 13, side 6).
Hold den i denne position i 20 sek. for at sikre, at den ikke er overfyldt. Desuden bortskaffer du på den måde overskydende kogesprit, hvis du ved en fejltagelse har fyldt for meget i
- ✓ Det maksimale påfyldningsniveau er nået, når spritten er synlig ved åbningens nederste ende.

**BEMÆRK**

Kogeren fungerer også, hvis brændergryden ikke er fyldt op til den maksimale påfyldningsmængde.

- Rengør brændergryden udvendigt for eventuelt spildt kogesprit.

Indsætning af brændergryden

- Skub brændergryden ind i apparatet indtil stopanslaget, således at holderen arreterer den (fig. 14 1, side 6).
- Til sikring af holderen (fig. 15 1, side 6) trykkes den i pilretning og sikringen drejes samtidig (fig. 15 2, side 6) mod uret, indtil holderen (fig. 15 1, side 6) går i hak.

8.2 Antænding af kogeren**FORSIGTIG!**

Brug overlange tændstikker eller et stavlighter.
Træk hurtigt din hånd tilbage, så snart brænderen er tændt.

- Åbn regulatoren.
- ✓ Brænderen er åbnet.
- Tænd kogeren ved at holde et overlant tændstik eller en stavlighter hen til brænderåbningen (fig. 16, side 7).
- Indstil flammen sådan, at den ikke rager ud over grydens flade.
- Indstil regulatoren til det ønskede trin.

**BEMÆRK**

Hvis kogerens ikke er kølet ned endnu efter sidste brug, slukker brænderen muligvis igen med det samme efter antændingen. Blæs i dette tilfælde luft ind i brænderåbningen for at komme af med dampene.

Tænd herefter kogerens som beskrevet ovenfor.

8.3 Slukning af flammen

- ▶ Stil regulatoren på FRA.
- ✓ Brænderen er lukket.
- ▶ Vent ca. 5 sekunder.
- ▶ Stil regulatoren på det maksimale trin for at sikre, at flammen er slukket.
- ✓ Brænderen er åbnet.
- ▶ Stil regulatoren på FRA.
- ✓ Brænderen er lukket.
- ▶ Vent evt., indtil kogerens er fuldstændigt kølet ned, inden du lukker glasafdækningen (**tilbehør**).

8.4 Brug af varmeelement (kun Dometic ORIGO C100 og C200)

**VIGTIGT!**

Brug aldrig samtidig kogesprit og 230-V-vekselstrøm for at undgå en overophedning af apparatet og skader på varmeelementet.

- ▶ Åbn evt. glasafdækningen (**tilbehør**).
- ▶ For at **tænde** varmeelementet, trykkes regulatoren ned og drejes med uret.
- ▶ Vælg det ønskede trin.
- ▶ For at **slukke** varmeelementet, indstilles regulatoren på FRA.
- ▶ Lad varmeelementet køle fuldstændigt ned, inden du lukker glasafdækningen (**tilbehør**), rører ved kogeroverfladen eller lægger brændbare genstande på kogerens.

9 Rengøring og vedligeholdelse af kogerens



VIGTIGT!

Undlad at bruge skarpe eller hårde midler til rengøringen, idet de kan føre til en beskadigelse af apparatet.

- ▶ Tag gitret af kogerens.
- ▶ Rens kogeroverfladen. Fjern især klistrede fedt- og olierester.
- ▶ **Kun C100 og C200:** Løft varmeelementet, indtil du kan mærke en modstand. Rengør kogerens under varmeelementet.
- ▶ Brug under ingen omstændigheder en dampstrålerenser til rengøring af kogerens.

10 Garanti

Den lovbestemte garantiperiode gælder. Hvis produktet er defekt, skal du kontakte din forhandler eller producentens afdeling i dit land (adresser, se vejledningens bagside).

Ved reparation eller krav om garanti skal du medsende følgende bilag:

- En kopi af regningen med købsdato
- En reklamerationsgrund eller en fejlbeskrivelse

11 Bortskaffelse

- ▶ Bortskaf så vidt muligt emballagen sammen med det tilsvarende genbrugsaffald.



Hvis du tager produktet endegyldigt ud af drift, skal du kontakte det nærmeste recyclingcenter eller din faghandel for at få de pågældende forskrifter om bortskaffelse.

12 Tekniske data

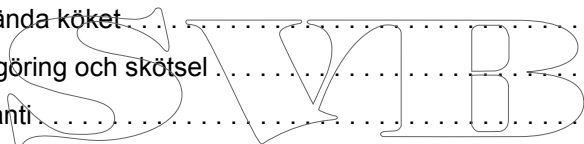
	Dometic ORIGO koger	
	A100	A200
Art.nr.:	9103303935	9103303937
Antal af brændere:	1	2
Brændetid:	ca. 4,5 h	
Brændereffekt:	2000 W	
Kogetid for 1 l vand:	10 min	
Beholderens påfyldningsmængde:	1,2 l	
Mål (B x H x D):	270 x 160 x 365 mm	500 x 160 x 365 mm
Vægt:	3,5 kg	7 kg

	Dometic ORIGO koger	
	C100	C200
Art.nr.:	9103303939	9103303941
Antal af brændere:	1	2
Brændetid:	ca. 4,5 h	
Brændereffekt:	2000 W	
Forsyningsspænding:	220–240 V	
Varmeelementets effekt:	1200 W/element	
Kogetid for 1 l vand:	10 min	
Beholderens påfyldningsmængde:	1,2 l	
Mål (B x H x D):	270 x 160 x 365 mm	500 x 160 x 365 mm
Vægt:	3,5 kg	7 kg

Läs igenom anvisningarna noga innan produkten tas i drift. Spara bruksanvisningen för senare bruk. Överlämna bruksanvisningen till den nya ägaren vid ev. vidareförsäljning.

Innehållsförteckning

1	Förklaring till symboler	116
2	Allmänna säkerhetsanvisningar	116
3	Leveransinnehåll	120
4	Tillbehör	120
5	Ändamålsenlig användning	120
6	Teknisk beskrivning	120
7	Montera köket	122
8	Använda köket	124
9	Rengöring och skötsel	127
10	Garanti	127
11	Avfallshantering	127
12	Teknisk data	128



1 Förklaring till symboler

**VARNING!**

Observera: Beaktas anvisningen ej kan det leda till dödsfara eller svåra skador.

**AKTA!**

Observera: Beaktas anvisningen ej kan det leda till kroppsskador.

**OBSERVERA!**

Om anvisningarna inte beaktas kan det leda till materialskador och produktens funktion kan påverkas negativt.

**ANVISNING**

Kompletterande information om användning av produkten.

➤ **Arbetssteg:** denna symbol står framför en arbetsinstruktion. Tillvägagångssättet beskrivs steg för steg.

✓ Denna symbol står framför beskrivningen av resultatet.

bild 1 5, sidan 3: anger en detalj på en bild, i detta exempel "position 5 på bild 1 på sidan 3".

2 Allmänna säkerhetsanvisningar

Tillverkaren övertar inget ansvar för skador i följande fall:

- skador på produkten, orsakade av mekanisk påverkan eller överspänning
- ändringar som utförts utan uttryckligt medgivande från tillverkaren
- ej ändamålsenlig användning

Följ nedanstående allmänna säkerhetsanvisningar vid användning av elektriska anordningar. När anvisningarna följs förhindras:

- elektriska stötar
- brandrisk
- personskador

2.1 Allmänna säkerhetsanvisningar



VARNING!

- Använd endast denaturerad alkohol. Använd **aldrig** andra sorters bränsle som t.ex. bensin, diesel, metanol, propan eller tändvätska för träkol.
- **Kvävningsrisk!**
Se alltid till att platsen där apparaten ska användas är väl ventilerad.
- En brandsläckare klass A (för bränder som involverar alkohol) ska finnas inom räckhåll.
Brandsläckaren ska regelbundet kontrolleras av auktoriserad servicetekniker.
- Personer (och barn), som på grund av fysiska, sensoriska eller mentala funktionshinder eller på grund av oerfarenhet eller ovetande inte kan använda produkten på ett säkert sätt, bör inte använda denna produkt utan uppsikt eller hjälp av en ansvarig person.
- **Elektriska apparater är inga leksaker**
Se till att elektriska apparater placeras utom räckhåll för barn. Låt inte barn använda apparaterna utan uppsikt.



OBSERVERA!

- Använd endast köket för avsett ändamål.

Endast för Dometic ORIGO sprit-/elkök C100 och C200



VARNING!

- En brandsläckare klass B-1 (elektrisk brand) ska finnas inom räckhåll.
Brandsläckaren ska regelbundet kontrolleras av auktoriserad servicetekniker.
- Koppla alltid bort strömmen innan arbeten utförs på enheten.
- Underhåll och reparationer får endast utföras av behörig personal/verkstad, som har kännedom om gällande bestämmelser och förekommande risker.
- Om anslutningskabeln är skadad måste den bytas ut av behörig personal.
Felaktigt utförda reparationer kan leda till farliga situationer.

- Om köket inte är utrustat med en med lämplig kontakt, måste alla fasta kablar anslutas till elkopplingen.
- Ta reda på hur man fränkopplar effektbrytaren/strömbrytaren eller säkring i nödfall.

2.2 Säkerhetsåtgärder vid hantering av denaturerad alkohol



VARNING!

- Förvara inte antändliga material och vätskor i närheten av värmeaggregat, spritkök (o.dyl.) eller andra värmekällor.
- Förvara spriten i lämpliga behållare och på säkert avstånd från köket.
- Undvik gnistbildning och öppna lågor där spriten förvaras eller fylls på i behållaren.
- Fyll aldrig på behållaren när den sitter i köket. Håll aldrig bränsle genom brännaröppningarna upptill på köket (bild **1**, sida 2).
- Överfullnad, utspilld sprit och heta föremål innebär brandrisk och risk för allvarliga brännskador.
- Denaturerad alkohol brinner med nästan osynlig låga; det kan därför uppstå mycket farliga situationer redan innan man blir medveten om faran.



OBSERVERA!

- Torka genast upp utspilld sprit; på så sätt förhindrar man att det börjar brinna okontrollerat.
- Rök inte under hanteringen med sprit eller när köket används.
- Fyll endast på behållaren till angiven max. mängd. Spriten expanderar i behållaren när den värms upp. För stor spritmängd kan leda till att det börjar brinna okontrollerat i köket.

2.3 Säker användning



VARNING!

- Använd långa tändstickor eller långa tändare för att tända brännaren.
Dra genast undan handen när brännaren har tänts.

- Använd lämplig klädsel när du använder köket.
Bär inte vida klädesplagg som kan fatta eld.

**OBSERVERA!**

- Låt köket svalna till omgivningstemperatur innan du tar i det.
- Se till att det inte finns stekfett, olja, alkoholiska lösningar, plastmaterial eller andra antändliga material (t.ex. gardiner, handdukar, köksredskap) i närheten.
- Använd inte kastruller eller stekpannor med slät botten och med större diameter än 23 cm (9"). Kastrullerna och stekpannorna ska vara så stora att de täcker värmeytan. Om man använder för små kastruller/stekpannor täcks inte hela värmeytan och det finns risk för antändning (t.ex. klädesplagg).
Kastruller/stekpannor med rätt storlek är även mer effektiva.
- Se till att kastrullerna och stekpannorna står säkert på köket när det används. Vi rekommenderar att kastrullhållare används (bild **2** 2, sida 2, **tillbehör**).
- Låt aldrig kastrullhållarna sticka ut utanför kökets kant. Vrid alla handtag så att de pekar inåt, men inte ovanför brännarna. Detta minimerar risken för spill, antändning av brännbara material och/eller allvarliga brännskador.
- Var försiktig vid uppvärmning av fett eller olja. Fett och olja börjar brinna vid hög värme.
- Använd endast torra grytlappar för att förhindra ångbildning. Använd inte handdukar eller liknande material som kan fatta eld.
- Låt aldrig köket stå utan uppsikt när det används. Innehållet i kastrullen kan koka över och orsaka rök och brand.
- Ställ brännarens reglage (bild **2** 1, sida 2) på av-läget innan kastrullen tas bort.
- Använd aldrig elköket som värmekälla.
- **Endast för Dometic Origo C100 och C200:** använd aldrig spritbrännaren och elbrännaren samtidigt - det kan leda till överhettning som skadar värmeelementet.
- **Endast för Dometic Origo C100 och C200:** om elbrännaren slås på och ställs in på hög effekt medan kastrullen är tom kan det leda till att köket skadas.

3 Leveransinnehåll

- Kök
- Bruksanvisning

4 Tillbehör

Beskrivning	Artikelnummer			
	A100	A200	C100	C200
Glaslock	9103303992	9103303991	9103303992	9103303991
Kastrullhållare	9103303982		9103303982	
Behållare	9103303993		9103303993	

5 Ändamålsenlig användning

Dometic ORIGO-kök är avsedda att användas i fordon och på båtar.

6 Teknisk beskrivning

6.1 Funktion

Köket är tillverkat i rostfritt stål och fungerar enligt absorptionsprincipen. Behållaren rymmer 1,2 l. Denaturerad alkohol används som bränsle. Brännaren tänds med långa tändstickor eller andra lämpliga tändare.

Sprit absorberas av ett icke-antändligt material i behållaren. Köket har inga bränsleventiler eller bränsleledningar som kan bli otäta och det har inga komponenter som kräver regelbundet underhåll.

Dometic ORIGO sprit-/elkök C100 och C200 är utrustade med ett 1200 W (EU) värmeelement. De kan användas med sprit eller 220–240 V.

6.2 Varianter

Det finns olika varianter av köken.

- **A100 och C100:** enkelbrännare
- **A200 och C200:** dubbelbrännare
- **C100 och C200:** extra värmeelement för anslutning till 220–240 V

Artikelnumret finns på typskylten på kökets högra sida.

6.3 Reglage, tillbehör

Reglage och tillbehör för användning med denaturerad alkohol (bild 2, sida 2):

Nr	Beskrivning
1	Reglage, steglös inställning Vrid moturs för att öka brännarens låga
2	Kastrullhållare (tillbehör)

Reglage för användning med 220–240 V (bild 3, sida 3) (Dometic ORIGO C100 och C200)

Nr	Beskrivning
1	Lysdiod status Den här lysdioden lyser när elströmmen är påslagen.
2	Effektinställning Vrid medurs för att öka effekten på värmeelementet

7 Montera köket

Utrustningen kan installeras på arbetsskivan i köket.

7.1 Välja installationsplats

Observera följande anvisningar när du väljer installationsplats:

- Utrustningen ska ställas upp på en väl ventilerad plats.
- Se till att avståndet (bild **6**, sida 4) är minst
 - 50 mm till sidorna och bakväggen
 - 750 mm mellan kökets värmeyta och den horisontella ytan ovanför köket
- Undvik luftdrag på installationsplatsen.
Om köket monteras i en öppen styrhytt, eller på ett annat öppet område, ska ett extra vindskydd monteras.
- Ställ inte upp elköket under hängande skåp, hyllor el.dyl
Det finns risk för brännskador när man sträcker sig över värmeytan.
- Använd **inte** utrustningen i utrymmen där det föreligger explosionsrisk.

7.2 Installera köket



OBSERVERA! Risk för skador på utrustningen!

Innan hålen borras: se till att inga kablar eller andra komponenter på fordonet kan skadas av borrar, sågning och filning.

- Såga ut ett rektangulärt hål på arbetsskivan (mått, se nedanstående tabell):

Modell	Dimensioner B x D x H:
A100	255 x 150 x 340 mm
A200	485 x 150 x 340 mm
C100	255 x 150 x 340 mm
C200	485 x 150 x 340 mm

- Öppna ovandelen och tag bort behållarna (se "Ta bort behållaren" på sidan 124).
- Öppna delen med gångjärn på kökets baksida.
- Placera köket enligt bild **4**, sida 3.

- Markera borrhålen.
Använd hålen i gångjärnet som en mall.
- Förborra hålen på arbetsskivan enligt markeringarna.
- Montera köket genom att skruva in skruvar med platt huvud i varje hål i gångjärnet (bild **5** 2, sida 4).
- Installera magnetlåset framför öppningen (bild **4** 1, sida 3).
- En brandsläckare klass B-1 ska finnas inom räckhåll.

7.3 Ansluta köket (Endast för Dometic ORIGO C100 och C200)



WARNING!

Köket får endast anslutas av behörig installatör.

Nedanstående anvisningar riktar sig till installatörer som har kännedom om tillämpliga bestämmelser och säkerhetsåtgärder.

Observera följande säkerhetsanvisningar vid anslutningen:



OBSERVERA! Risk för kortslutning!

- Använd endast jordade uttag som säkras genom jordfelsbrytare (RCB).
 - Om kablarna måste dras genom metallväggar eller öppningar med vassa kanter, ska tomma rör/kabelkanaler användas för att skydda kablarna.
 - Dra inte lösa eller böjda kablar direkt intill elektriskt ledande material (metall).
 - Sätt fast kabeln på ett säkert sätt.
 - Dra inte i kablarna.
 - Dra kablarna så att man inte kan snubbla över dem och så att de inte kan skadas.
- Kontrollera att spänningen som anges på typskylten (på kökets högra sida) stämmer överens med spänningen på platsen.
 - Anslut anslutningskabelns tre ledare till växelströmsuttaget.
 - Säkra kabeln med en klämma.

8 Använda köket

8.1 Fylla på denaturerad alkohol

**WARNING!**

Håll aldrig bränsle genom brännaröppningarna upptill på köket (bild **1**, sida 2).

Överfyllnad, utspilld sprit och heta föremål innebär brandrisk och risk för allvarliga brännskador.

- Se till att alla brännare är avstängda:
 - användning med denaturerad alkohol: vrid reglaget till av-läget
 - användning med 220–240 V (**endast C100 och C200**): stäng av värmeelementen
- Se till att köket har svalnat så att det har rumstemperatur.
- Fäll upp spishällen (bild **7**, sida 5).

Ta bort behållaren

I driftläge är den flexibla hållaren (bild **8** 1, sida 5) vid säkringens öppning (bild **8** 2, sida 5) låst.

- Tryck på hållaren (bild **9** 1, sida 5) i pilens riktning och vrid säkringen (bild **9** 2, sida 5) medurs för att lossa bränsletanken (bild **10**, sida 5).
- När hållaren (bild **11** 1, sida 5) står lodrätt trycker du den i pilens riktning.
- ✓ Behållaren lossnar.
- Ta ut behållaren.

Fyll på med t-sprit

- Kontrollera behållarens öppning så att det inte finns någon låga eller glöd.
- Se till att behållaren är nog kall för att hållas i din bara hand innan du fyller på den.
- Håll behållaren nedåtlutande (bild **12**, sida 6).
- Fyll på denaturerad alkohol i behållaren genom trådgallret. Fyll aldrig på mer än 1,2 l.
- Kontrollera bränslenivån genom att luta behållaren vertikalt (bild **13**, sida 6).

Håll den i detta läge i 20 sekunder för att säkerställa att inte för mycket bränsle har fyllts på. Om det finns för mycket bränsle i behållaren rinner det ut nu.

- ✓ Max. nivån har nåtts när bränslet syns nedtill i öppningen.

**ANVISNING**

Köket fungerar som det ska även om man inte fyller på max. mängd.

- Torka bort utspilld sprit från behållarens utsida.

Sätt in behållaren

- Skjut in behållaren så långt det går, så att den låses av hållaren (bild **14** 1, sida 6).
- För att säkra hållaren (bild **15** 1, sida 6) tryck den i pilens riktning och vrid samtidigt säkringen (bild **15** 2, sida 6) moturs tills hållaren hakar (bild **15** 1, sida 6) fast.

8.2 Tända köket**AKTA!**

Använd extra långa tändstickor eller stavformade tändare för att tända brännaren.

Dra genast undan handen när brännaren har tänts.

- Skruva på reglaget.
- ✓ Brännaren är öppen.
- Tänd köket genom att hålla en extra lång tändsticka eller en stavformad tändare mot brännaröppningen (bild **16**, sida 7).
- Justera lågan så att den inte sträcker sig utanför kastrullens kant.
- Välj önskat effektläge med reglaget.

**ANVISNING**

Om köket inte har svalnat sedan det senaste användningstillfället kan det hända att brännaren tänds och sedan genast släcks igen. Blås då luft mot brännaröppningen för att skingra ångan. Tänd sedan köket enligt ovanstående beskrivning.

8.3 Släcka lågan

- Vrid reglaget till av-läget.
- ✓ Brännaren är stängd.
- Vänta ungefär fem sekunder.
- Vrid reglaget till läget max. för att kontrollera att lågan är släckt.
- ✓ Brännaren är öppen.
- Vrid reglaget till av-läget.
- ✓ Brännaren är stängd.
- I förekommande fall, vänta tills köket har svalnat innan du stänger glaslocket (**tillbehör**).

8.4 Använda värmeelementet (Endast för Dometic ORIGO C100 och C200)

**OBSERVERA!**

Använd aldrig spritbrännaren och elbrännaren samtidigt - det kan leda till överhettning som skadar värmeelementet.

- I förekommande fall, öppna glaslocket (**tillbehör**).
- Tryck in och vrid reglaget medurs för att **slå på** värmeelementet.
- Välj önskat effektläge.
- Vrid reglaget till av-läget för att **slå av** värmeelementet.
- Låt elementet svalna helt innan du stänger glaslocket (**tillbehör**), vidrör kökets övre del eller ställer brännbara material på köket.

9 Rengöring och skötsel



OBSERVERA!

Använd inga vassa eller hårda föremål för att rengöra köket - det kan skada utrustningen.

- Ta bort gallret på kökets ovansida.
- Rengör kökets ovansida. Var särskilt noga med att avlägsna fastsittande stekfett och olja.
- **Endast C100 och C200:** lyft upp värmeelementet tills ett motstånd känns. Rengör ytan under värmeelementet.
- Använd aldrig en ångrengörare för att rengöra köket.

10 Garanti

Den lagstadgade garantitiden gäller. Om produkten är defekt: kontakta återförsäljaren eller tillverkarens kontor i ditt land (adresser, se bruksanvisningens baksida).

Vid reparations- resp. garantiärenden ska följande skickas med:

- en kopia på fakturan med inköpsdatum,
- en reklambeskrivning/felbeskrivning.

11 Avfallshantering

- Lämna om möjligt förpackningsmaterialet till återvinning.



När produkten slutgiltigt tas ur bruk: informera dig om gällande bestämmelser hos närmaste återvinningscentral eller hos återförsäljaren.

12 Teknisk data

	Dometic ORIGO kök	
	A100	A200
Artikelnummer:	9103303935	9103303937
Antal brännare:	1	2
Bränntid:	ung. 4,5 h	
Brännareffekt:	2000 W	
Kokningstid för 1 l vatten:	10 min	
Behållarvolym:	1,2 l	
Dimensioner (B x H x D):	270 x 160 x 365 mm	500 x 160 x 365 mm
Vikt:	3,5 kg	7 kg

	Dometic ORIGO kök	
	C100	C200
Artikelnummer:	9103303939	9103303941
Antal brännare:	1	2
Bränntid:	ung. 4,5 h	
Brännareffekt:	2000 W	
Försörjningsspänning:	220–240 V	
Effekt, värmeelement:	1200 W / element	
Kokningstid för 1 l vatten:	10 min	
Behållarvolym:	1,2 l	
Dimensioner (B x H x D):	270 x 160 x 365 mm	500 x 160 x 365 mm
Vikt:	3,5 kg	7 kg

Les bruksanvisningen nøye før du tar i bruk apparatet, og ta vare på den. Hvis produktet selges videre, må du sørge for å gi bruksanvisningen videre også.

Innhold

1	Forklaring til symbolene	130
2	Generelle sikkerhetsinstrukser	130
3	Standardutstyr	134
4	Tilbehør	134
5	Bruksområde	134
6	Teknisk beskrivelse	134
7	Montere koker	136
8	Bruke kokeren	138
9	Rengjøre og vedlikeholde kokeren	141
10	Garanti	141
11	Avfallsbehandling	141
12	Tekniske data	142

1 Forklaring til symbolene

**ADVARSEL!**

Sikkerhetsregel: Hvis man ikke overholder denne regelen, kan det føre til død eller alvorlig skade.

**FORSIKTIG!**

Sikkerhetsregel: Hvis man ikke overholder denne regelen, kan det føre til personskader.

**PASS PÅ!**

Hvis man ikke overholder denne regelen, kan det føre til materielle skader og skade funksjonen til produktet.

**MERK**

Utfyllende informasjon om bruk av produktet.

- **Handling:** Dette symbolet indikerer at du må gjøre noe. De nødvendige handlingene beskrives trinnvis.
- ✓ Dette symbolet beskriver resultatet av en handling.

fig. 1 5, side 3: Denne angivelsen henviser til et element i en illustrasjon, i dette eksemplet til «Posisjon 5 i illustrasjon 1 på side 3».

2 Generelle sikkerhetsinstruksjoner

Produsenten tar i følgende tilfeller intet ansvar for skader:

- skader på produktet på grunn av mekanisk påvirkning og overspenninger
- endringer på produktet uten at det er gitt uttrykkelig godkjenning av produsenten
- Bruk til andre formål enn det som er beskrevet i veiledningen

Overhold følgende grunnleggende sikkerhetsregler ved bruk av elektriske apparater for å beskytte mot:

- Elektrisk støt
- Brannfare
- Skader

2.1 Grunnleggende sikkerhet



ADVARSEL!

- Bruk utelukkende sprit. Bruk **ikke** andre brennstoffer, slik som bensin, dieselolje, metan, propan eller grilltennvæske.
- **Kvelningsfare!**
Kontroller før du kobler inn apparatet at området er tilstrekkelig ventilert.
- Bring en brannslukker i klasse A (for branner med sprit) innen rekkevidde.
Sørg for at brannslukkeren kontrolleres regelmessig av en fagperson.
- Personer (inklusive barn) som på grunn av sine fysiske, sensoriske eller mentale ferdigheter eller på grunn av sin uerfarenhet eller manglende kjennskap ikke er i stand til å bruke produktet, må ikke bruke dette produktet uten oppsyn eller anvisning fra en ansvarlig person.
- **Elektriske apparater er ikke leketøy for barn**
Hold barn og tilbakestående personer på avstand fra elektroapparater. La dem kun bruke elektriske apparater under tilsyn.



PASS PÅ!

- Kokeren skal bare brukes i samsvar med beregnet bruk.

Kun Dometic ORIGO sprit-/elektrokoker C100 og C200



ADVARSEL!

- Bring en brannslukker i klasse B-1 (for branner med elektriske årsaker) innen rekkevidde.
Sørg for at brannslukkeren kontrolleres regelmessig av en fagperson.
- Ved arbeid på apparatet må man alltid avbryte strømforsyningen.
- Vedlikehold og reparasjoner må kun utføres av fagfolk, som er kjent med farene og er fortrolig med de gjeldende forskrifter.
- Når tilkoblingskabelen er skadet, må den skiftes ut av en fagperson.
Ved usakkyndige reparasjoner kan det oppstå betydelige farer.

- Når kokeren er ikke disponerer over en tilgjengelig plugg, må fast strømkabling være utstyrt med en allpolet separering.
- Informer deg om hvordan du kobler ut FI-vernebryteren hhv. tar ut sikringen.

2.2 Sikkerhet ved bruk av brennsprit



ADVARSEL!

- Hold brennbare stoffer på avstand fra varme- og kokeapparater, samt andre lys- og varmekilder.
- Oppbevar brennsprit kun i egnede beholdere og i tilstrekkelig avstand fra kokeren.
- Fjern alle kilder for gnister eller flammer ved lagrings- eller påfyllingsstedet for spriten.
- Fyll aldri på brennerkarene i kokeren. Fyll aldri på sprit gjennom brenneråpningene i dekslet (fig. 1, side 2).
- Gjennom overfylling eller søl av brennsprit og gjennom varme gjenstander kan det oppstå alvorlige forbrenninger.
- Siden sprit brenner med nesten usynlig flamme, kan det oppstå betydelige skader før faren merkes.



PASS PÅ!

- Tørk opp den sølte spriten umiddelbart for å unngå brannfare.
- Ikke røyk under omgang med sprit eller ved bruk av kokeren.
- Fyll kun på brennerkaret til maksimalt påfyllingsnivå. Oppvarmet brennsprit utvider seg i brennerkaret. Oversvømmet brennsprit forårsaker ukontrollert forbrenning i kokeren.

2.3 Sikkerhet ved bruk av apparatet



ADVARSEL!

- Bruk lange fyrstikker eller en tilsvarende lighter. Trekk hurtig tilbake hånden, så snart brenneren er påtent.
- Bruk egnede klær ved bruk av kokeren. Ikke bruk klær som henger løst og som kan antennes.

**PASS PÅ!**

- La kokeren kjøle seg ned til omgivelsestemperatur før du berører den med bare hender.
- Hold området rundt elektrokokeren fritt for fett, alkoholholdige stoffer, plastmaterialer og brennbart stoff (f.eks. gardiner, håndklær, kjøkkenmaterialer).
- Bruk kun kokekar og panner med flat bunn og en maksimal diameter på 23 cm (9 tommer). Kokekarene og pannene skal være store nok til å dekke varmeelementet. Hvis det brukes et kokekar som er for lite hhv. en panne som er for liten, ligger en del av varmeelementet fri, og dette kan føre til antenning av klær.
Dessuten forbedrer kokekar og panner i riktig størrelse også effektiviteten.
- Se til at kokekar og panner er sikkert plassert ved matlaging. Vi anbefaler å bruke kokekarholder (fig. **2** 2, side 2, **Tilbehør**).
- La aldri grepene for kokekar eller panner komme utenfor kokeren. Drei grepene innover - men på en slik måte at de ikke befinner seg over andre brennere. Dermed blir faren for søl, antenning av brennbare stoffer og alvorlige forbrenninger redusert.
- Vær forsiktig når du varmer opp fett eller olje. Fett og olje kan antennes ved for høy varme.
- Bruk kun tørre grytekluter for å unngå dampdannelse. Ikke bruk håndklær el.lign. i stedet for grytelapper, da disse kan antennes.
- Kokeren skal aldri brukes uten tilsyn. Overkokelser kan forårsake røyk og brann.
- Still inn regulatoren (fig. **2** 1, side 2) på «Av» før du tar av kokekaret.
- Ikke bruk kokeren til å varme opp rommet.
- **Kun Dometic ORIGO C100 og C200:** Bruk aldri sprit- og den elektriske brenneren samtidig, for å unngå en overoppheting, ellers kan varmeelementet bli ødelagt.
- **Kun Dometic ORIGO C100 og C200:** Driften av den elektriske brenneren med høy temperatur uten påfylt kokekar kan skade kokefeltet.

3 Standardutstyr

- Koker
- Bruksanvisning

4 Tilbehør

Beskrivelse	Art.nr.			
	A100	A200	C100	C200
Glassdeksel	9103303992	9103303991	9103303992	9103303991
Kokekarholder	9103303982		9103303982	
Reservebrennerkar	9103303993		9103303993	

5 Bruksområde

ORIGO-kokerne fra Dometic er beregnet til bruk i kjøretøy og båter.

6 Teknisk beskrivelse

6.1 Funksjon

Kokeren er produsert i edelstål og arbeider etter absorpsjonsprinsippet. Brenneren har en kapasitet på 1,2 l. Som brennstoff brukes brennsprit. Brenneren tennes med lange fyrstikker eller en tilsvarende lighter.

Brennspriten blir absorbert i brenneren av et ikke-brennbart materiale. Apparatet har ingen brennstoffventil og ingen brennstoffledninger som kan bli tette eller andre slike komponenter som ville kreve regelmessig vedlikehold.

Dometic ORIGO sprit-/elektrokoker C100 og C200 er utstyrt med et varmeelement på 1200 W. De kan brukes med sprit eller elektrisk med en spenning på 220 – 240 V.

6.2 Spesifikasjoner til apparatvariantene

Kokeren leveres i forskjellige utførelser.

- **A100 og C100:** Koker med en brenner
- **A200 og C200:** Koker med to brennere
- **C100 og C200:** ekstra varmeelement for drift med 220 – 240 V

Apparattypen kan du se på artikkelnummeret, som er angitt på typeskiltet som befinner seg til høyre på kokeren.

6.3 Betjeningselementer

Betjeningselementer for drift med sprit (fig. 2, side 2):

nr.	Beskrivelse
1	Regulator, trinnløs justerbar Dreining mot klokken øker flammen.
2	Kokekarholder (Tilbehør)

Betjeningselementer for drift med 220–240 V (fig. 3, side 3) (Dometic ORIGO C100 og C200)

nr.	Beskrivelse
1	Kontroll-LED LED-en lyser når strømforsyningen er koblet inn.
2	Regulator Dreining med klokken øker ytelsen til varmeelementet.

7 Montere koker

Du kan bygge inn kokeren i arbeidsbengen på kjøkkenet.

7.1 Velge innbyggingssted

Pass på følgende ved valg av montasjested:

- Veg et montasjested med god lufting for apparatet.
- Oppretthold en minsteavstand (fig. **6**, side 4) på
 - 50 mm til sideveggene og bakveggene
 - 750 mm mellom varmeelementet og den horisontale flaten over kokeren
- Unngå trekk på monteringsstedet.
Hvis kokeren bygges inn i en åpen kabin eller andre åpne områder, er det nødvendig å anbringe en ekstra vindbeskyttelse.
- Ikke bygg inn kokeren under hengeskap.
Ellers kan du bli utstøtt for fare for forbrenninger og brann, hvis du holder på med noe over kokeren.
- Bruk **ikke** kokeren i rom der det er eksplosjonsfare.

7.2 Montere koker



PASS PÅ! Fare for skader på enheten!

Før du borer noe som helst, må du forsikre deg om at ingen elektriske kabler eller andre deler på kjøretøyet kan skades av boring, saging og filing.

- Sag en firkantet åpning i arbeidsplaten (mål se følgende tabell):

Modell	Mål (B x D x H):
A100	255 x 150 x 340 mm
A200	485 x 150 x 340 mm
C100	255 x 150 x 340 mm
C200	485 x 150 x 340 mm

- Åpne kokeren og ta ut brennerkarene (se fig. **4** 1, side 3).
- Åpne delen med hengsler som befinner seg bak på kokeren.
- Still opp kokeren i henhold til fig. **4**, side 3.

- Tegn på boringene.
Bruk boringene i hengslet som mal.
- Bor de påtegnede hullene i arbeidsbenken.
- Fest kokeren med innsenkede hodeskruer gjennom alle boringer på hengslene (fig. **5** 1, side 4).
- Anbring magnetlukkingen foran utsparingen (fig. **4** 1, side 3).
- Bring en brannslukker i klasse B-1 innenfor rekkevidde.

7.3 Koble til kokeren elektrisk (kun Dometic ORIGO C100 og C200)



ADVARSEL!

Tilkobling av kokeren må kun utføres av tilstrekkelig utdannede fagfolk.

Den følgende informasjonen er beregnet på fagfolk som er fortrolig med retningslinjene og sikkerhetsforanstaltningene som gjelder.

Følg disse sikkerhetsreglene ved elektrisk tilkobling:



PASS PÅ! Kortslutningsfare!

- Bruk i kun jordede stikkontakter og stikkontakter som er sikret med FI-bryter.
 - Hvis ledninger må føres gjennom metallvegger eller andre vegger med skarpe kanter, bruker du tomme rør hhv. ledningsgjennomføringer for å unngå skader.
 - Ikke legg ledninger løst eller bøyd på materiale som leder elektrisk strøm (metall).
 - Fest ledningene godt.
 - Ikke trekk i ledningene.
 - Legg ledningene slik at man ikke snubler i dem og slik at man unngår å skade kablen.
-
- Forsikre deg på grunnlag av typeskiltet som finnes til høyre på kokeren, om at driftsspenningen til apparatet stemmer overens med nettspenningen.
 - Koble sammen de tre ledningene til tilkoblingskablen med nettet.
 - Sikre kablen med en klemme.

8 Bruke kokeren

8.1 Fulle på brennsprit



ADVARSEL!

Fyll aldri på brennstoff via brenneråpningene på oversiden av kokeren (fig. **1**, side 2).

Gjennom overfylling eller søl av brennsprit og gjennom varme gjenstander kan det oppstå alvorlige forbrenninger.

- Forsikre deg om at alle brennerne er slått av:
 - Drift med brennsprit: Still regulatoren på AV.
 - Drift med 220 – 240 V (**kun C100 og C200**): Slå av varmeelementene.
- Forsikre deg om at kokeren er nedkjølt til romtemperatur.
- Vipp opp kokeren (fig. **7**, side 5).

Ta ut brennerkaret

I driftsmodus er den fleksible holderen (fig. **8** 1, side 5) stoppet i utsnittet til sikringen (fig. **8** 2, side 5).

- For å løsne drivstofftanken trykker du holderen (fig. **9** 1, side 5) i pilretningen og dreier sikringen (fig. **9** 2, side 5) med klokka (fig. **10**, side 5).
- Når holderen (fig. **11** 1, side 5) står loddrett, trykk den i pilretningen.
- ✓ Brennerkaret frigjøres.
- Ta ut brennerkaret.

Fulle på brennsprit

- Kontroller tankåpningen og forsikre deg om at denne ikke brenner eller gløder.
- Forsikre deg før påfyllingen om at brennerkaret er tilstrekkelig kjølig, slik at du kan holde det i bare hender.
- Hold brennerkaret (fig. **12**, side 6) skrått nedover.
- Fyll på brennspriten gjennom nettet i åpningen på brennerkaret. Den maksimale påfyllingsmengden på 1,2 l pr. brennerkar må ikke overskrides.

- Kontroller riktig påfyllingsmengde ved at du holder brennerkaret vertikalt nedover (fig. **13**, side 6).

Hold det i denne posisjonen i 20 s for å sikre at det ikke er overfylt. Dessuten bortskaffer du dermed overflødig brennsprit hvis du ved uhell skulle ha fylt på for mye.

- ✓ Det maksimale påfyllingsnivået oppnås når brennstoffet er synlig i nedre ende av åpningen.

**MERK**

Kokeren fungerer også når brennerkaret ikke er helt fylt opp til maksimal påfyllingsmengde.

- Rengjør brennerkaret utvendig for eventuelt sølt brennsprit.

Sette inn brennerkaret

- Skyv brennerkaret inn i apparatet til anslag, slik at holderen stanser det (fig. **14** 1, side 6).
- For å sikre holderen (fig. **15** 1, side 6) trykker du i pilretningen og dreier samtidig sikringen (fig. **15** 2, side 6) mot klokka, inntil holderen (fig. **15** 1, side 6) settes på plass.

8.2 Tenne på kokeren

**FORSIKTIG!**

Til påtenningen må du bruke lange fyrstikker eller en stavlighter. Trekk hånden raskt til side så snart brenneren er påtent.

- Still regulatoren på opp.
- ✓ Brenneren er åpnet.
- Tenn på kokeren ved å holde en lang fyrstikk eller stavlighter mot brenneråpningen (fig. **16**, side 7).
- Still inn flammen slik at den ikke kommer ut over bunnen på kokekaret.
- Sett regulatoren på ønsket nivå.

**MERK**

Når kokeren fortsatt ikke er nedkjølt fra den siste bruken, slukker brenneren muligens igjen rett etter påtenningen. Blå i dette tilfelle luft inn i brenneråpningen for å fjerne dampene.

Tenn på kokeren som beskrevet over.

8.3 Slukk flammen

- Still regulatoren på AV.
- ✓ Brenneren er lukket.
- Vent i ca. fem sekunder.
- Still regulatoren på maksimalt nivå for å sikre at flammen er slukket.
- ✓ Brenneren er åpnet.
- Still regulatoren på AV.
- ✓ Brenneren er lukket.
- Vent evt. til kokeren er helt avkjølt før du lukker glassdekslet (**tilbehør**).

8.4 Koble til varmeelementet (kun Dometic ORIGO C100 og C200)

**PASS PÅ!**

Bruk aldri samtidig brennsprit og 230 V vekselstrøm for å unngå en overoppheting av apparatet og skader på varmeelementet.

- Åpne eventuelt glassdekslet (**tilbehør**).
- For å **koble inn** varmeelementet trykker du inn regulatoren og dreier den med klokken.
- Velg ønsket trinn.
- For å **slå av** varmeelementet, stilles regulatoren på AV.
- La varmeelementet kjøles helt ned før du lukker glassdekslet (**tilbehør**), berører kokeroverflaten eller legger brennbare gjenstander på kokeren.

9 Rengjøre og vedlikeholde kokeren



PASS PÅ!

Bruk ikke skarpe eller harde hjelpemidler til rengjøring, da det kan skade apparatet.

- Fjern kokekarristen fra kokeren.
- Rengjør kokeroverflatene. Fjern spesielt klebrige fett- og oljerester.
- **Kun C100 og C200:** Løft varmeelementet inntil du merker gjenstand. Rengjør kokeren under varmeelementet.
- Bruk ikke i noe tilfelle dampstrålerengjøringsinnretning til å rengjøre kokeren.

10 Garanti

Lovmessig garantitid gjelder. Hvis produktet skulle være defekt, kontakter du din faghandler eller produsentens filial i ditt land (du finner adressene på baksiden av veiledningen).

Ved henvendelser vedrørende reparasjon eller garanti, må du sende med følgende dokumentasjon:

- kopi av kvitteringen med kjøpsdato,
- årsak til reklamasjonen eller beskrivelse av feilen.

11 Avfallsbehandling

- Lever emballasje til resirkulering så langt det er mulig.



Når du tar produktet ut av drift for siste gang, må du sørge for å få informasjon om deponeringsforskrifter hos nærmeste resirkuleringsstasjon eller hos din faghandler.

12 Tekniske data

	Dometic ORIGO koker	
	A100	A200
Art.nr.:	9103303935	9103303937
Antall brennere:	1	2
Brennvarighet:	ca. 4,5 t	
Brennereffekt:	2000 W	
Koketid for 1 l vann:	10 min	
Påfyllingsmengde for tank:	1,2 l	
Mål (B x H x D):	270 x 160 x 365 mm	500 x 160 x 365 mm
Vekt:	3,5 kg	7 kg

	Dometic ORIGO koker	
	C100	C200
Art.nr.:	9103303939	9103303941
Antall brennere:	1	2
Brennvarighet:	ca. 4,5 t	
Brennereffekt:	2000 W	
Forsyningsspenning:	220–240 V	
Varmeelementets effekt:	1200 W/Element	
Koketid for 1 l vann:	10 min	
Påfyllingsmengde for tank:	1,2 l	
Mål (B x H x D):	270 x 160 x 365 mm	500 x 160 x 365 mm
Vekt:	3,5 kg	7 kg

Lue tämä ohje huolellisesti läpi ennen käyttöönottoa ja säilytä ohje hyvin. Jos myyt tuotteen eteenpäin, anna ohje tällöin edelleen uudelle käyttäjälle.

Sisällysluettelo

1	Symbolien selitys	144
2	Yleiset turvallisuusohjeet	144
3	Toimituskokonaisuus	148
4	Lisävarusteet	148
5	Käyttötarkoitus	148
6	Tekninen kuvaus	148
7	Keittimen asentaminen	150
8	Keittimen käyttäminen	152
9	Keittimen puhdistaminen ja ylläpito	155
10	Takuu	155
11	Hävittäminen	155
12	Tekniset tiedot	156

1 Symbolien selitys



VAROITUS!

Turvallisuusohje: Huomiotta jättäminen voi aiheuttaa hengenvaaran tai vakavan loukkaantumisen.



HUOMIO!

Turvallisuusohje: Huomiotta jättäminen voi johtaa loukkaantumiseen.



HUOMAUTUS!

Huomiotta jättäminen voi johtaa materiaalivaurioihin ja haitata tuotteen toimintaa.



OHJE

Tuotteen käyttöä koskevia lisätietoja.

- **Menettely:** Tämä symboli ilmaisee, että sinun tulee tehdä jotakin. Tarvittava menettely kuvataan askel askeleelta.
- ✓ Tämä symboli kuvailee menettelyn tuloksen.

kuva 1 5, sivulla 3: Tämä tieto viittaa kuvassa olevaan elementtiin, tässä esimerkissä ”kohteeseen 5 kuvassa 1, sivulla 3”.

2 Yleiset turvallisuusohjeet

Valmistaja ei ota mitään vastuuta vahingoista seuraavissa tapauksissa:

- tuotteeseen mekaanisen vaikutuksen tai ylijännitteiden takia syntyneet vauriot
- tuotteeseen ilman valmistajan nimenomaista lupaa tehdyt muutokset
- käyttö muuhun kuin käyttöohjeessa ilmoitettuun tarkoitukseen

Ole hyvä ja ota sähkölaitteita käyttäessäsi huomioon seuraavat turvallisuustiedot, jotka suojelevat:

- Sähköiskulta
- Tulipaloilta
- Loukkaantumiselta

2.1 Yleinen turvallisuus



VAROITUS!

- Käytä vain denaturoitua spriitä. **Älä** käytä muita polttoaineita kuten bensiiniä, dieseliä, metanolia, propaania tai sytytysnestettä.
- **Tukehtumisvaara!**
Varmista ennen laitteen käynnistämistä, että alue on riittävästi tuuletettu.
- Sijoita A-luokan sammutin (spriiliekkeille) etäisyydelle, josta se voidaan tavoittaa.
Varmista, että pätevä henkilökunta tarkastaa sammuttimen säännöllisesti.
- Henkilöiden (mukaan lukien lapset), jotka eivät voi käyttää tuotetta turvallisesti fyysisten, sensoristen tai psyykkisten taitojensa takia, tai kokemattomuuden tai tietämättömyyden vuoksi, ei tulisi käyttää tuotetta ilman valvontaa tai vastuullisen henkilön ohjeita.
- **Sähkölaitteet eivät ole leluja**
Pidä sähkölaitteet lasten- tai heikkokuntoisten henkilöiden ulottumattomissa. Älä anna heidän käyttää laitteita ilman valvontaa.



HUOMAUTUS!

- Käytä keitintä vain sen käyttötarkoitukseen.

Vain Dometic ORIGO sprii-/sähkökeitTIMET C100 ja C200



VAROITUS!

- Sijoita B-1-luokan sammutin (sähkökeitimille) etäisyydelle, josta se voidaan tavoittaa.
Varmista, että pätevä henkilökunta tarkastaa sammuttimen säännöllisesti.
- Irrota virransyöttö aina, kun teet laitteeseen liittyviä töitä.
- Kunnossapito- ja korjaustöitä saa suorittaa ainoastaan pätevä henkilökunta, joka tuntee työhön liittyvät riskit ja asiaankuuluvat säännökset.
- Jos liitäntäjohto on vaurioitunut, pätevän henkilökunnan täytyy vaihtaa se.
Epäasialliset korjaukset voivat johtaa huomattaviin vaaroihin.

- Jos keittimessä ei ole pistoketta, johon voi päästä käsiksi, kiinteään johdotukseen täytyy liittää kaikki navat irrottava katkaisija.
- Selvitä itsellesi, miten katkaisin tai sulake kytketään pois päältä hätätapauksessa.

2.2 Denaturoidun spriin käsittelyä koskevat turvatoimenpiteet



VAROITUS!

- Pidä syttyvät materiaalit kaukana lämmitys- ja keittolaitteista ja muista valo- ja lämpölähteistä.
- Säilytä spriiä ainoastaan sopivissa astioissa riittävän kaukana keittimestä.
- Eliminoi kaikki kipinälähteet tai liekit alueilta, joilla spriiä säilytetään tai täytetään.
- Älä koskaan täytä kanistereita niiden ollessa yhä paikallaan keittimessä. Älä koskaan kaada polttoainetta keittimen yläpuolelta polttimen reikiin (kuva 1, sivulla 2).
- Ylitäyttäminen, roiskunut sprii ja kuumat kappaleet voivat aiheuttaa vakavia palovammoja.
- Denaturoitu sprii palaa lähes näkymättömällä liekillä, joten suuri vaurio voi syntyä jo ennen kuin edes huomaat vaaraa.



HUOMAUTUS!

- Pyyhi kaikki roiskunut sprii välittömästi pois hallitsemattoman palamisen estämiseksi.
- Älä tupakoi käsitellessäsi spriiä tai käyttäessäsi keitintä.
- Täytä kanisteri vain maksimivetoisuuteen asti. Sprii laajenee lämmitessään kanisterissa. Spriin ylitäyttäminen voi johtaa hallitsemattomaan palamiseen keittimen sisällä.

2.3 Laitteen turvallinen käyttäminen



VAROITUS!

- Sytytä poltin pitkällä tulitikuilla tai sytyttimellä. Vedä kätesi nopeasti pois heti, kun poltin syttyy.

- Käytä keitintä käyttäessäsi asianmukaista vaateetusta. Älä käytä roikkuvia asusteita, jotka voivat syttyä palamaan.



HUOMAUTUS!

- Anna keittimen jäähtyä ympäristön lämpötilaan ennen kuin kosketat sitä paljain käsin.
- Pidä keitintä ympäröivä alue ja sisätilat vapaina rasvasta, eläinrasvasta, alkoholipitoisista aineista, muovista tai syttyvistä tekstiileistä (esimerkiksi verhot, pyyhkeet, keittiövälineet).
- Käytä vain tasapohjaisia kattiloita ja pannuja, joiden maksimihalkaisija on 23 cm (9"). Kattiloiden ja pannujen tulisi olla kyllin suuria peittääkseen lämmityselementin. Liian pienten välineiden käyttäminen jättää osan lämmityselementistä alttiiksi suoralle kosketukselle ja saattaa johtaa vaatteiden syttymiseen. Oikean kokoiset välineet lisäävät myös tehokkuutta.
- Varmista ruokaa valmistaessasi, että pannut ja kattilat ovat turvallisesti paikoillaan. On suositeltavaa käyttää kattilapidikkeitä (kuva **2** 2, sivulla 2, **lisävaruste**).
- Älä koskaan anna kattiloiden kahvojen yltää keittimen reunan yli. Käännä kattiloiden kahvat sisäänpäin mutta älä muiden polttinten päälle. Tämä minimoi roiskumisen, palavien materiaalien syttymisen ja/tai vakavien palovammojen mahdollisuuden.
- Ole varovainen kuumentaessasi rasvaa tai öljyä. Rasva ja öljy syttyvät tuleen, jos ne altistetaan suurelle kuumuudelle.
- Käytä vain kuivia pannulappuja höyryn muodostumisen estämiseksi. Älä käytä pyyhkeitä tai vastaavia pannulappuina, koska ne voivat syttyä tuleen.
- Älä koskaan ruokaa laittaessasi jätä keitintä vaille valvontaa. Yli kiehuvat kattilat voivat synnyttää savua ja tulipaloja.
- Siirrä polttimen säädin (kuva **2** 1, sivulla 2) pois-asentoon ennen kuin otat kattilan pois.
- Älä käytä keitintä ympäristön lämmittämiseen.
- **Vain Dometic Origo C100 ja C200:** Älä koskaan käytä sprii -ja sähköpoltinta samanaikaisesti. Näin estät ylikuumentumisen, joka voi tuhota lämmityselementin.
- **Vain Dometic Origo C100 ja C200:** Sähköpoltinten käyttäminen korkealla tehoasetuksella ilman täyttä kattilaa voi vahingoittaa keitintä.

3 Toimituskokonaisuus

- Keitin
- Käyttöohje

4 Lisävarusteet

Kuvaus	Tuote nro			
	A100	A200	C100	C200
Lasikansi	9103303992	9103303991	9103303992	9103303991
Kattilapidike	9103303982		9103303982	
Kanisteri	9103303993		9103303993	

5 Käyttötarkoitus

Dometic ORIGO -keittimet on suunniteltu käytettäväksi ajoneuvoissa tai veneissä.



6 Tekninen kuvaus

6.1 Toiminta

Keitin on valmistettu ruostumattomasta teräksestä ja siinä sovelletaan imeytysperiaatetta. Kanisterin tilavuus on 1,2 l. Polttoaineena käytetään denaturoitua spriiä. Poltin sytytetään pitkällä tulitikulla tai vastaavalla sytyttimellä.

Sprii imeytetään kanistereissa olevaan palamattomaan materiaaliin. Siinä ei ole ole varusteena polttoaineventtiiliä tai polttoainejohtimia, joihin voi syntyä vuotoja tai muita vastaavia, säännöllistä huoltoa vaativia komponentteja.

Dometic ORIGO sprii-/sähkökeittimissä C100 ja C200 on varusteena 1200 W (EU)-elementti. Niitä voidaan käyttää vaihtoehtoisesti sprillä tai 220–240 V -jännitteellä.

6.2 Laitemuunnelmien spesifikaatiot

Saatavissa on erilaisia keitinmuunnelmia.

- **A100 ja C100:** yksipolttiminen yksikkö
- **A200 ja C200:** kaksipolttiminen yksikkö
- **C100 ja C200:** lisäksi lämmityselementti käyttöön 220–240 voltilla

Laitteesi tunnistamiseksi katso keittimen oikealla puolella tyyppikilvessä olevaa tuotenumeroa.

6.3 Käyttölaitteet

Käyttölaitteet laitteen käyttämiseen denaturoidulla spriiillä (kuva 2, sivulla 2):

Nro	Kuvaus
1	Säätönuppi, portaattomasti säädettävä Käännä myötäpäivään polttimen liekin suurentamiseksi
2	Kattilapidike (lisävaruste)

Käyttölaitteet laitteen käyttämiseen 220–240 V -jännitteellä (kuva 3, sivulla 3) (Dometic ORIGO C100 ja C200):

Nro	Kuvaus
1	Tila-LED LED palaa, kun sähkö on kytkettynä päälle.
2	Tehoasetusnuppi Käännä myötäpäivään lämmityselementin tehoasetuksen suurentamiseksi

7 Keittimen asentaminen

Voit sovittaa keittimen keittiösi pöytätasoon.

7.1 Asennuspaikan valitseminen

Noudata seuraavia ohjeita valitessasi asennuspaikkaa:

- Valitse laitteelle hyvin tuuletettu paikka.
- Varmista minimietäisyys (kuva **6**, sivulla 4)
 - 50 mm sivu- ja takaseiniin
 - 750 mm keittimen kelaelementistä keittimen yläpuoliseen vaakapintaan
- Vältä vetoa asennuspaikassa.
Jos asennat keittimen avoimeen hyttiin tai muuhun avoimeen paikkaan, asenna lisätuulisuoja.
- Vältä keittimen yläpuolelle sijoitettua kaappitilaa.
Muuten olemassa on palovamma- ja palovaara, kun kurkotat keittimen päälle.
- Älä käytä laitetta tiloissa, joissa vallitsee räjähdysvaara.

7.2 Keittimen asentaminen



HUOMAUTUS! Laitteen vaurioitumisen vaara!

Varmista ennen reikien poraamista, että poraaminen, sahaaminen ja viilaaminen ei vahingoita sähköjohtoja tai muita ajoneuvon osia.

- Sahaa pöytätasoon nelikulmainen reikä (katso mitat seuraavasta taulukosta):

Malli	Mitat L x S x K
A100	255 x 150 x 340 mm
A200	485 x 150 x 340 mm
C100	255 x 150 x 340 mm
C200	485 x 150 x 340 mm

- Avaa kansi ja ota kanisterit pois (katso ”Kanisterin ottaminen ulos” sivulla 152).
- Avaa saranaosa keittimen takaosasta.

- Sijoita keitin kuvan mukaan: kuva **4**, sivulla 3.
- Merkitse porauskohdat.
Käytä saranan kiinnitysreikiä sapluunana.
- Tee esiporaukset pöytätasoon merkittyihin kohtiin.
- Kiinnitä keitin ruuvaamalla litteäkantaiset ruuvit kaikkien saranan reikien läpi (kuva **5** 2, sivulla 4).
- Asenna magneettinen lukitsija reiän eteen (kuva **4** 1, sivulla 3).
- Sijoita B-1-luokan sammutin etäisyydelle, josta se voidaan tavoittaa.

7.3 Keittimen sähköinen liittäminen (Vain Dometic ORIGO C100 ja C200)



VAROITUS!

Vain pätevä erikoismies saa liittää keittimen.

Seuraavat tiedot on tarkoitettu teknikoille, jotka tuntevat sovellettavat ohjeet ja turvatoimenpiteet.

Noudata sähköliitäntöjä tehtäessä seuraavia turvallisuusohjeita:



HUOMAUTUS! Oikosulkuvaara!

- Käytä aina maadoitettuja pistorasioita, jotka on varmistettu vikavirtakatkaisijoilla.
 - Jos joudut vetämään johtoja metalliseinien tai muiden teräväreunaisten seinien läpi, käytä siihen vahinkojen estämiseksi läpivientikappaleita tai putkia.
 - Älä aseta irrallisia tai taivutettuja johtoja sähköisesti johtavien materiaalien lähelle (metalli).
 - Kiinnitä johdot varmasti.
 - Älä vedä johdoista.
 - Aseta johdot siten, että niihin ei voi kompastua ja ne eivät voi vaurioitua.
- Tarkista keittimen oikealla puolella sijaitseva tyyppikilpi varmistaaksesi, että yksikön jännite vastaa lähteen jännitettä.
 - Liitä liitäntäjohdon kolme johdinta AC-verkkojännitteeseen.
 - Kiinnitä johto klemmarilla.

8 Keittimen käyttäminen

8.1 Denaturoidun spriin täyttäminen



VAROITUS!

Älä koskaan kaada polttoainetta keittimen yläpuolelta polttimen reikiin (kuva **1**, sivulla 2).

Ylityttäminen, roiskunut sprii ja kuumat kappaleet voivat aiheuttaa vakavia palovammoja.

- Varmista, että kaikki polttimet ovat pois päältä:
 - käyttö denaturoidulla spriillä: käännä säätönuppi Pois-asentoon
 - käyttö 220–240 V -jännitteellä (**vain C100 ja C200**): kytke lämmityselementit pois päältä
- Varmista, että keitin on jäähtynyt huonelämpötilaan.
- Avaa keittimen yläosa (kuva **7**, sivulla 5).

Kanisterin ottaminen ulos

Käyttötilassa joustava pidike (kuva **8** 1, sivulla 5) on salvattu varmistimen reikään (kuva **8** 2, sivulla 5).

- Polttoainesäiliön vapauttamiseksi paina pidikettä (kuva **9** 1, sivulla 5) nuolen suuntaan ja käännä varmistinta (kuva **9** 2, sivulla 5) myötäpäivään (kuva **10**, sivulla 5).
- Kun pidike (kuva **11** 1, sivulla 5) on pystysuorassa, paina sitä nuolen suuntaan.
- ✓ Kanisteri vapautuu.
- Ota kanisteri pois.

Spriin lisääminen

- Tarkista kanisterin aukko ja varmista, että siinä ei näy liekkiä tai hehkua.
- Varmista ennen täyttämistä, että kanisteri on kyllin viileä pideltäväksi paljain käsin.
- Pidä kanisteria alas kallistettuna (kuva **12**, sivulla 6).
- Lisää denaturoitu sprii kanisterin aukon lankaverkon läpi. Kanisterin maksimitilavuutta 1,2 l ei saa ylittää.

- Tarkasta polttoaineen määrä kääntämällä kanisteri pystysuoraan (kuva **13**, sivulla 6).

Pidä se tässä asennossa 20 s varmistaaksesi, että sitä ei ole ylitäytetty. Lisäksi pääset näin vahingossa sattunen ylitäyttämisen yhteydessä eroon ylimääräisestä polttoaineesta.

- ✓ Polttoaineen maksimitaso on saavutettu, kun polttoaine näkyy aukon alareunassa.



OHJE

Keitin toimii, vaikka kanisteria ei ole täytetty maksimimäärään.

- Pyyhi mahdollisesti roiskunut sprii kanisterin ulkopuolelta.

Kanisterin asettaminen paikalleen

- Työnnä kanisteria laitteeseen rajoittimeen asti siten, että pidike lukitsee sen (kuva **14** 1, sivulla 6).
- Varmista pidike (kuva **15** 1, sivulla 6) painamalla sitä nuolen suuntaan ja käännä samaan aikaan varmistinta (kuva **15** 2, sivulla 6) vastapäivään, kunnes pidike (kuva **15** 1, sivulla 6) lukittuu.

8.2 Keittimen sytyttäminen



HUOMIO!

Käytä sytyttämiseen ylipitkiä tulitikkuja tai sauvasytytintä. Vedä kätesi heti pois, kun poltin on syttynyt.

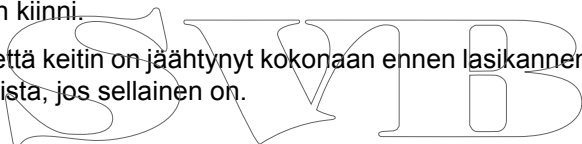
- Avaa säädin.
- ✓ Poltin on avattu.
- Sytytä keitin pitämällä ylipitkään tulitikkua tai sauvasytytintä polttimeen aukossa (kuva **16**, sivulla 7).
- Säädä liekki siten, että se ei ylety kattilan reunan yli.
- Valitse haluttu tehoasetus säätönupin avulla.

**OHJE**

Jos keitin ei ole jäähtynyt edellisestä käytöstä, poltin saattaa syttyä mutta sammua välittömästi. Puhalla tässä tapauksessa ilmaa polttimen aukkaan höyryn hajottamiseksi. Sytytä keitin myöhemmin yllä kuvatulla tavalla.

8.3 Liekin sammuttaminen

- ▶ Käännä säätönuppi Pois-asentoon.
- ✓ Poltin on kiinni.
- ▶ Odota noin viisi sekuntia.
- ▶ Käännä säätönuppi maksimi-asentoon varmistaaksesi, että liekki on sammutunut.
- ✓ Poltin on auki.
- ▶ Käännä säätönuppi Pois-asentoon.
- ✓ Poltin on kiinni.
- ▶ Odota, että keitin on jäähtynyt kokonaan ennen lasikannen (**lisävaruste**) asettamista, jos sellainen on.



8.4 Lämmityselementin käyttäminen (Vain Dometic ORIGO C100 ja C200)

**HUOMAUTUS!**

Älä koskaan käytä sprii- ja sähköpoltinta samanaikaisesti. Näin estetään ylikuumenemisen, joka voi tuhota lämmityselementin.

- ▶ Nosta lasikansi (**lisävaruste**), jos sellainen on.
- ▶ **Kytke lämmityselementti päälle** painamalla ja kääntämällä säätönuppia myötäpäivään.
- ▶ Valitse haluttu teho.
- ▶ **Kytke lämmityselementti pois päältä** kääntämällä tehoasetusnuppi Pois-asentoon.
- ▶ Anna elementin jäähtyä kokonaan ennen kuin suljet lasikannen (**lisävaruste**) tai kosketat keittimen yläosaa tai annat palavan materiaalin koskettaa tätä.

9 Keittimen puhdistaminen ja ylläpito



HUOMAUTUS!

Älä käytä puhdistamiseen teräviä tai kovia esineitä, koska se voi vahingoittaa laitetta.

- Ota ritilä pois keittimen päältä.
- Puhdista keittimen yläpinta. Poista erityisesti tahmea rasva ja öljy.
- **Vain C100 ja C200:** Nosta lämmityselementtiä, kunnes tunnet vastuksen. Puhdista keitin lämmityselementin alta.
- Älä koskaan puhdista keitintä höyrypuhdistimella.

10 Takuu

Laitetta koskee lakisääteinen takuu-aika. Jos tuote sattuu olemaan viallinen, käänny oman ammattikauppiaasi tai maasi valmistajan toimipisteen puoleen (osoitteet käyttöohjeen takasivulla).

Korjaus- ja takuukäsittelyä varten lähetä mukana seuraavat asiakirjat:

- kopio ostolaskusta, jossa näkyy ostopäivä,
- valitusperuste tai vikakuvaus.

11 Hävittäminen

- Vie pakkausmateriaali mahdollisuuksien mukaan vastaavan kierrätysjätteen joukkoon.



Jos poistat tuotteen lopullisesti käytöstä, pyydä tietoa sen hävittämisestä koskevista määräyksistä lähimmästä kierrätyskeskuksesta tai ammattiliikkeestäsi.

12 Tekniset tiedot

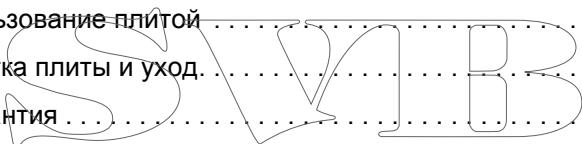
	Dometic ORIGO -keitin	
	A100	A200
Tuote nro:	9103303935	9103303937
Poltinten määrä:	1	2
Palamisen kesto:	noin 4,5 h	
Polttimen teho:	2000 W	
Keittoaika 1 litralle vettä:	10 min	
Kanisterin tilavuus:	1,2 l	
Mitat (L x K x S):	270 x 160 x 365 mm	500 x 160 x 365 mm
Paino:	3,5 kg	7 kg

	Dometic ORIGO -keitin	
	C100	C200
Tuote nro:	9103303939	9103303941
Poltinten määrä:	1	2
Palamisen kesto:	noin 4,5 h	
Polttimen teho:	2000 W	
Syöttöjännite:	220–240 V	
Lämmityselementin teho:	1200 W / elementti	
Keittoaika 1 litralle vettä:	10 min	
Kanisterin tilavuus:	1,2 l	
Mitat (L x K x S):	270 x 160 x 365 mm	500 x 160 x 365 mm
Paino:	3,5 kg	7 kg

Прочтите данную инструкцию перед вводом в эксплуатацию и сохраните ее. В случае передачи продукта передайте инструкцию следующему пользователю.

Содержание

1	Пояснения к символам	158
2	Общие указания по технике безопасности	158
3	Комплект поставки	162
4	Дополнительные принадлежности	163
5	Область применения	163
6	Техническое описание	163
7	Установка плиты.	165
8	Пользование плитой	167
9	Чистка плиты и уход	170
10	Гарантия	171
11	Утилизация	171
12	Технические характеристики.	172



1 Пояснения к символам

**ПРЕДУПРЕЖДЕНИЕ!**

Указания по технике безопасности: Несоблюдение может привести к смертельному исходу или тяжелым травмам.

**ОСТОРОЖНО!**

Указания по технике безопасности: Несоблюдение может привести к травмам.

**ВНИМАНИЕ!**

Несоблюдение может привести к повреждениям и нарушить работу продукта.

**УКАЗАНИЕ**

Дополнительная информация по управлению продуктом.

- **Действие:** Этот символ указывает на то, что Вы должны выполнить определенное действие. Требуемые действия описываются шаг за шагом.
- ✓ Этот символ описывает результат действия.

Рис. 1 5, стр. 3: Данное указание обращает Ваше внимание на рисунок, в данном примере на „позицию 5 на рисунке 1 на странице 3“.

2 Общие указания по технике безопасности

Изготовитель не несет никакой ответственности за ущерб в следующих случаях:

- Повреждения продукта из-за механических воздействий и перенапряжений
- Изменения в продукте, выполненные без однозначного разрешения изготовителя
- Использование в целях, отличных от указанных в данной инструкции

Пользуясь электроприборами, пожалуйста, обращайте внимание на следующие основные меры безопасности по защите от:

- поражения электрическим током;
- воспламенения;
- травм.

2.1 Основы безопасного обращения



ПРЕДУПРЕЖДЕНИЕ!

- Используйте только спирт. Не применяйте **никаких** иных горючих веществ, таких как бензин, дизельное топливо, метан, пропан или жидкость для розжига грилей.
- **Опасность удушья!**
Перед первым включением прибора убедитесь в достаточной вентилируемости помещения.
- Установите в зоне досягаемости огнетушитель класса А (от возгораний спирта).
Позаботьтесь о том, чтобы огнетушитель регулярно проверялся специалистами.
- Лица (в том числе и дети), которые в силу своих физических, осязательных или психических способностей, неопытности или отсутствия знаний не в состоянии безопасно пользоваться прибором, не должны использовать плиту без присмотра или инструктажа ответственного лица.
- **Электроприборы не игрушка для детей**
Не допускайте контакта с электроприборами детей и немощных людей. Не оставляйте работающие электроприборы без присмотра.



ВНИМАНИЕ!

- Используйте плиту только по назначению.

Только для спирто-электрической плиты Dometic ORIGO C100 и C200



ПРЕДУПРЕЖДЕНИЕ!

- Установите в зоне досягаемости огнетушитель класса В-1 (от возгораний электрических компонентов).
Позаботьтесь о том, чтобы огнетушитель регулярно проверялся специалистами.

- При выполнении любых манипуляций с плитой необходимо выключать электропитание.
- Работы по ремонту и техническому обслуживанию выполняются только специалистами, ознакомленными с соответствующими предписаниями и существующими рисками.
- Если сетевой кабель поврежден, его должен заменить специалист.
Ненадлежащий ремонт может привести к значительному ущербу.
- Если у плиты нет доступного штекера, то встроенную кабельную разводку необходимо снабдить изоляцией всех полюсов.
- Проконсультируйтесь, как в экстренном случае отключается дифференциальное защитное устройство или как снимается предохранитель.

2.2 Техника безопасности при обращении с денатурированным спиртом.



ПРЕДУПРЕЖДЕНИЕ!

- Горючие материалы не должны находиться рядом с отопительными или кухонными приборами, а также иными источниками тепла и света.
- Храните денатурированный спирт только в предназначенных для этого контейнерах и в достаточном удалении от плиты.
- Устраните все источники искрения или огня в местах залива или хранения спирта.
- Никогда не заполняйте топливные ёмкости непосредственно в плите. Никогда не заливайте спирт через отверстия горелки в крышк (рис. **1**, стр. 2).
- Из-за переливания или проливания денатурированного спирта, а также из-за горячих предметов возникает риск сильных ожогов.
- Поскольку спирт горит почти невидимым пламенем, есть риск возникновения значительного ущерба прежде, чем опасность будет замечена.



ВНИМАНИЕ!

- Сразу же вытрите пролитый спирт, чтобы устранить опасность пожара.
- Не курите при обращении со спиртом или при работе с плитой.
- Заполняйте ёмкость для топлива только до максимально допустимого уровня. Нагретый денатурированный спирт расширяется в ёмкости для топлива. Перелив денатурированного спирта приводит к возникновению неконтролируемого возгорания внутри плиты.

2.3 Меры безопасности при работе с прибором



ПРЕДУПРЕЖДЕНИЕ!

- Используйте длинные спички или соответствующий запальник. Сразу же уберите руку, как только горелка зажглась.
- Использовать прибор надлежит в соответствующей одежде. Не надевайте свободно свисающую одежду, способную попасть в пламя.



ВНИМАНИЕ!

- Дайте нагревательному прибору остыть до температуры окружающей среды, прежде чем касаться его голыми руками.
- Обеспечьте отсутствие вблизи электроплиты жира, содержащих алкоголь веществ, пластмассы и легко воспламеняющихся предметов (напр., занавесок, полотенец, прочих кухонных материалов).
- Используйте кастрюли и сковороды с плоским дном и максимальным диаметром 23 см (9 дюймов). Кастрюли и сковороды должны иметь размер, перекрывающий нагревательный элемент. Если используется кастрюля или сковорода слишком малого размера, остается неприкрытой часть нагревательного элемента, которая может воспалить элементы одежды. Кроме этого, кастрюли и сковороды подходящего размера повышают экономичность.

- Во время приготовления пищи обратите внимание на то, чтобы кастрюли и сковороды стояли устойчиво. Мы рекомендуем использовать фиксаторы для кастрюль (рис. **2** 2, стр. 2, **Дополнительные принадлежности**).
- Никогда не допускайте, чтобы ручки кастрюль или сковородок возвышались над варочным прибором. Поверните ручки внутрь, но так, чтобы они не находились над другими горелками. Таким образом снижается опасность проливания, возгорания горючих веществ и сильных ожогов.
- Соблюдайте осторожность при нагревании жира и масла. Жир и масло могут воспламениться при высокой температуре.
- Используйте только сухие кухонные прихватки, чтобы избежать образование пара. Не используйте полотенца вместо кухонных прихваток, поскольку они могут загореться.
- Никогда не оставляйте работающую плиту без присмотра. Перегретые кастрюли могут вызвать задымление и пожар.
- Установите регулятор (рис. **2** 1, стр. 2) в положение «ВЫКЛ.», прежде чем снять кастрюлю.
- Не используйте прибор для обогрева помещения.
- **Только для Dometic ORIGO C100 и C200:** Никогда не используйте спиртовые и электрические горелки одновременно во избежание перегрева, иначе нагревательный элемент может разрушиться.
- **Только для Dometic ORIGO C100 и C200:** Использование электрических горелок при высокой температуре без наполненной кастрюли способно повредить плиту.

3 Комплект поставки

- Плита
- Инструкция по эксплуатации

4 Дополнительные принадлежности

Описание	Арт. №			
	A100	A200	C100	C200
Стеклянная крышка	9103303992	9103303991	9103303992	9103303991
Фиксатор кастрюль	9103303982		9103303982	
Запасная чаша горелки	9103303993		9103303993	

5 Область применения

Плиты ORIGO компании Dometic предусмотрены для использования в транспортных средствах и лодках.

6 Техническое описание

6.1 Функциональные особенности

Плита изготовлена из нержавеющей стали и функционирует на принципе абсорбции. Ёмкость для топлива вмещает 1,2 л. В качестве горючего вещества используется денатурированный спирт. Горелка зажигается длинными спичками или соответствующей зажигалкой.

Денатурированный спирт поглощается в ёмкости для топлива негорючим материалом. Прибор не содержит вентиля или проводов для подачи топлива, которые могут потерять герметичность, или прочих элементов конструкции, требующих регулярного обслуживания.

Спирто-электрические плиты ORIGO C100 и C200 компании Dometic снабжены нагревательным элементом мощностью 1200 W. Их можно эксплуатировать на спирту или от электричества напряжением 220 – 240 V.

6.2 Характеристики вариантов исполнения прибора

Плита поставляется в различных исполнениях.

- **A100 и C100:** Плита с одной горелкой
- **A200 и C200:** Плита с двумя горелками
- **C100 и C200:** дополнительный нагревательный элемент для эксплуатации при 220 – 240 V

Ваш тип прибора можно установить по артикульному номеру, указанному на типовой табличке, расположенной справа на плите.

6.3 Элементы управления

Элементы управления для эксплуатации на спирту (рис. 2, стр. 2):

№	Описание
1	Бесступенчатый регулятор Поворот против часовой стрелки усиливает пламя.
2	Фиксатор кастрюль (Дополнительные принадлежности)

Элементы управления для работы от напряжения 220–240 V (рис. 3, стр. 3) (Dometic ORIGO C100 и C200)

№	Описание
1	Контрольный светодиодный индикатор Индикатор горит, если электропитание включено.
2	Регулятор Поворот по часовой стрелке усиливает мощность нагревательного элемента.

7 Установка плиты

Плиту можно вмонтировать в рабочую поверхность Вашей кухни.

7.1 Выбрать место монтажа

При выборе места установки учтите следующие моменты:

- Для установки плиты выберите хорошо проветриваемое место.
- Обеспечьте отступ минимум (рис. **6**, стр. 4)
 - 50 мм к боковым и задним стенам
 - 750 мм между нагревательным элементом и горизонтальной поверхностью над плитой
- Избегайте сквозняков в месте монтажа.
Если плита размещается в открытой кабине или в открытых местах, необходима дополнительная защита от ветра.
- Не монтируйте плиту под навесными шкафами.
В противном случае Вы подвергаетесь опасности ожогов во время манипуляций над плитой.
- **Не используйте плиту во взрывоопасных помещениях.**

7.2 Установка плиты



ВНИМАНИЕ! Опасность повреждения прибора!

Перед проделыванием отверстий необходимо убедиться, что в результате сверления, пиления или шлифования не будут повреждены электрические кабели или иные части транспортного средства.

- Выпилите прямоугольное отверстие в рабочей поверхности (Габариты смотрите в следующей таблице):

Модель	Габариты (Ш x Г x В):
A100	255 x 150 x 340 мм
A200	485 x 150 x 340 мм
C100	255 x 150 x 340 мм
C200	485 x 150 x 340 мм

- Откройте плиту и выньте ёмкости для топлива (смотри «Ёмкость для топлива вынуть» на стр. 167).

- Откройте элемент с шарниром, находящийся сзади на плите.
- Установите плиту согласно рис. **4**, стр. 3.
- Обозначьте места сверления.
Используйте отверстия в шарнире как шаблон.
- Надсверлите обозначенные отверстия на рабочей поверхности.
- Закрепите плиту винтом с потайной головкой через все отверстия шарнира (рис. **5** 1, стр. 4).
- Приделайте магнитный замок перед выемкой (рис. **4** 1, стр. 3).
- Разместите огнетушитель класса В-1 в пределах досягаемости.

7.3 Подключение плиты к электропитанию (только Dometic для Origo 100 и 200)



ПРЕДУПРЕЖДЕНИЕ!

Подключение плиты должно выполняться только соответствующим обученным персоналом специализированных компаний. Следующая информация предназначена для специалистов, знакомых с соответствующими директивами и мерами безопасности.

При электроподключении придерживайтесь следующих указаний по технике безопасности:



ВНИМАНИЕ! Опасность короткого замыкания!

- Используйте только заземленные розетки, снабженные дифференциальным защитным устройством.
 - Если линия проводится через перегородки с острыми краями, используйте кабель-каналы или кабельные вводы.
 - Кабели должны быть закреплены и не изламываться на электропроводящих материалах (металле).
 - Закрепите провода надежно.
 - Не тяните за кабели.
 - Проложите кабель так, чтобы через него не спотыкались и это его не повредило.
- Убедитесь на примере заводской таблички справа на плите, что рабочее напряжение прибора совпадает с напряжением сети.

- Соедините три провода кабеля подключения с сетью.
- Закрепите кабель зажимной скобой.

8 Пользование плитой

8.1 Заправка денатурированным спиртом



ПРЕДУПРЕЖДЕНИЕ!

Никогда не заполняйте топливо через отверстия горелки на верхней поверхности плиты (рис. **1**, стр. 2).

Из-за переливания или проливания денатурированного спирта, а также из-за горячих предметов возникает риск сильных ожогов.

- Убедитесь, что все горелки отключены:
 - Эксплуатация с денатурированным спиртом: Установите регулятор в положение «ВЫКЛ.»
 - Работа с изделиями 220 - 240 V (только C100 и C200): Выключите нагревательные элементы.
- Убедитесь, что плита остыла до уровня комнатной температуры.
- Откройте плиту (рис. **7**, стр. 5).

Ёмкость для топлива вынуть

В рабочем режиме подвижный держатель (рис. **8** 1, стр. 5) фиксируется в разрезе предохранителя (рис. **8** 2, стр. 5).

- Для выемки топливной ёмкости нажмите на фиксатор (рис. **9** 1, стр. 5) в направлении стрелки и поверните предохранитель (рис. **9** 2, стр. 5) по часовой стрелке (рис. **10**, стр. 5).
- Когда держатель (рис. **11** 1, стр. 5) стоит вертикально, нажмите на него в направлении стрелки.
- ✓ Ёмкость для топлива отделилась.
- Выньте ёмкость для топлива.

Заправка денатурированным спиртом

- ▶ Проверьте горловину ёмкости и убедитесь, что она не горит или не накалена.
- ▶ Перед заполнением убедитесь в том, что ёмкость для топлива достаточно остыла, чтобы держать ее голыми руками.
- ▶ Держите ёмкость для топлива (рис. 12, стр. 6) наклонив её вниз.
- ▶ Залейте денатурированный спирт через проволочную сетку в отверстие топливной ёмкости.
Нельзя превышать максимальный объём заправки, который составляет 1,2 л для каждой топливной ёмкости.
- ▶ Проверьте допустимый объём заправки, наклонив ёмкость для топлива вправо, удерживая ее в горизонтальном положении (рис. 13, стр. 6).

Подержите её в течение 20 с в таком положении, дабы убедиться, что она не переполнена. Кроме этого, удалите лишний денатурированный спирт, если по неосторожности залили слишком много.

- ✓ Максимальный уровень заполнения достигнут, если спирт видно на нижнем краю отверстия.



УКАЗАНИЕ

Плита работает даже тогда, когда ёмкость для топлива наполнена не до максимального уровня.

- ▶ Очистите ёмкость для топлива снаружи от случайно пролитого денатурированного спирта.

Вставить ёмкость для топлива

- ▶ Вставьте ёмкость для топлива в прибор до упора, чтобы держатель зафиксировал его (рис. 14 1, стр. 6).
- ▶ Для надёжности крепления фиксатором (рис. 15 1, стр. 6) нажмите на него в сторону стрелки и поверните предохранитель одновременно (рис. 15 2, стр. 6) против часовой стрелки, пока фиксатор не (рис. 15 1, стр. 6) закрепиться.

8.2 Розжиг плиты



ОСТОРОЖНО!

Для розжига горелки используйте только достаточно длинные спички или соответствующую зажигалку.

Как только горелка зажглась, быстро отведите руку в сторону.

- Открутите регулятор.
- ✓ Горелка открыта.
- Разожгите плиту, поднеся зажженную длинную спичку или зажигалку к отверстию горелки (рис. 16, стр. 7).
- Отрегулируйте пламя так, чтобы оно не выходило за площадь кастрюли.
- Установите регулятор на нужную ступень.



УКАЗАНИЕ

Если Варочный прибор ещё не успела остыть после предыдущего использования, горелка может погаснуть сразу после розжига. В этом случае необходимо подать воздух в отверстие горелки, чтобы вывести пар из прибора. Затем зажгите плиту, как описано выше.

8.3 Тушение пламени

- Установите регулятор в положение «ВЫКЛ.»
- ✓ Горелка закрыта.
- Подождите примерно пять секунд.
- Установите регулятор на максимальный уровень, чтобы убедиться в том, что пламя погасло.
- ✓ Горелка открыта.
- Установите регулятор в положение «ВЫКЛ.»
- ✓ Горелка закрыта.
- При необходимости подождите, пока плита полностью не остынет прежде, чем закрыть стеклянную крышку (**Принадлежности**).

8.4 Использование нагревательного элемента (Только изделия Dometic Origo 100 и 200)



ВНИМАНИЕ!

Никогда не используйте одновременно денатурированный спирт и напряжение 230 В переменного тока, чтобы не перегреть прибор и не повредить нагревательный элемент.

- При необходимости откройте стеклянную крышку (**Принадлежности**).
- Чтобы **включить** нагревательный элемент, прижмите регулятор и поверните его по часовой стрелке.
- Выберите нужный уровень.
- Чтобы **выключить** нагревательный элемент, установите регулятор в положение «ВЫКЛ.»
- Дайте нагревательному элементу полностью остыть перед закрытием стеклянной крышки (**Дополнительные принадлежности**), а также перед тем как касаться варочной поверхности или класть на плиту горючие материалы.

9 Чистка плиты и уход



ВНИМАНИЕ!

Не используйте острых или твёрдых предметов для чистки, так как это может привести к повреждению прибора.

- Снимите решетку с плиты.
- Очистите поверхность варочного прибора. Особенно удаляйте прилипшие остатки жира и масла.
- **Только для C100 и C200:** Поднимайте нагревательный элемент до тех пор, пока не почувствуете сопротивление. Почистите плиту под нагревательным элементом.
- Не используйте для чистки плиты пароструйное очистительное устройство.

10 Гарантия

Действителен установленный законом срок гарантии. Если продукт неисправен, обратитесь в торговую организацию или в представительство изготовителя в Вашей стране (адреса см. на оборотной стороне инструкции).

В целях проведения ремонта или гарантийного обслуживания Вы должны также послать следующие документы:

- копию счета с датой покупки,
- причину рекламации или описание неисправности.

11 Утилизация

- По возможности, выкидывайте упаковочный материал в мусор, подлежащий вторичной переработке.



Если Вы окончательно выводите продукт из эксплуатации, то получите информацию в ближайшем центре по вторичной переработке или в торговой сети о соответствующих предписаниях по утилизации.

12 Технические характеристики

	Плита Dometic ORIGO	
	A100	A200
Арт. №:	9103303935	9103303937
Количество горелок:	1	2
Продолжительность горения:	ок. 4,5 ч	
Мощность горелки:	2000 Вт	
Время закипания для 1 л воды:	10 мин	
Объём заполнения емкости:	1,2 л	
Габариты (Ш x В x Г):	270 x 160 x 365 мм	500 x 160 x 365 мм
Вес:	3,5 кг	7 кг

	Плита Dometic ORIGO	
	C100	C200
Арт. №:	9103303939	9103303941
Количество горелок:	1	2
Продолжительность горения:	ок. 4,5 ч	
Мощность горелки:	2000 Вт	
Рабочее напряжение:	220–240 В	
Мощность нагревательного элемента:	1200 W / Элемент	
Время закипания для 1 л воды:	10 мин	
Объём заполнения емкости:	1,2 л	
Габариты (Ш x В x Г):	270 x 160 x 365 мм	500 x 160 x 365 мм
Вес:	3,5 кг	7 кг

Przed uruchomieniem urządzenia należy uważnie przeczytać niniejszą instrukcję. Instrukcję należy zachować. W razie przekazywania urządzenia należy ją udostępnić kolejnemu nabywcy.

Spis treści

1	Objaśnienie symboli	174
2	Ogólne zasady bezpieczeństwa	174
3	W zestawie	178
4	Osprzęt	178
5	Obszar zastosowań	178
6	Opis techniczny	179
7	Montaż kuchenki	180
8	Używanie kuchenki	183
9	Czyszczenie i konserwacja kuchenki	186
10	Gwarancja	186
11	Utylizacja	186
12	Dane techniczne	187

1 Objąśnienie symboli

**OSTRZEŻENIE!**

Wskazówka dot. bezpieczeństwa: Nieprzestrzeganie może prowadzić do śmierci lub ciężkich obrażeń ciała.

**OSTROŻNIE!**

Wskazówka dot. bezpieczeństwa: Nieprzestrzeganie może prowadzić do obrażeń ciała.

**UWAGA!**

Nieprzestrzeganie może prowadzić do powstania szkód materialnych i zakłóceń w działaniu produktu.

**WSKAZÓWKA**

Informacje uzupełniające dot. obsługi produktu.

- **Obsługa:** Ten symbol wskazuje, że użytkownik musi podjąć jakieś działanie. Wymagane działania zostały opisane krok po kroku.
- ✓ Ten symbol opisuje wynik działania.

Rys. 1 5, strona 3: Ten odnośnik wskazuje element na rysunku, w tym przypadku „Pozycję 5 na rysunku 1 na stronie 3”.

2 Ogólne zasady bezpieczeństwa

Producent nie odpowiada za szkody spowodowane:

- uszkodzeniem produktu w sposób mechaniczny lub spowodowany przeciążeniami elektrycznymi
- zmianami dokonanyymi w produkcie bez wyraźnej zgody producenta
- użytkowaniem w celach innych niż opisane w niniejszej instrukcji

Podczas używania urządzeń elektrycznych należy przestrzegać następujących podstawowych środków ostrożności, aby zapewnić sobie ochronę przed:

- porażeniem elektrycznym,
- niebezpieczeństwem pożaru,
- obrażeniami.

2.1 Podstawowe bezpieczeństwo



OSTRZEŻENIE!

- Używać wyłącznie spirytusu. **Nie** używać innych paliw, takich jak benzyna, olej napędowy, metan, propan czy płynna rozpałka do grilla.
- **Niebezpieczeństwo uduszenia!**
Przed włączeniem urządzenia upewnić się, że w pomieszczeniu występuje wystarczająca wentylacja.
- Umieścić w zasięgu gaśnicę klasy A (do pożarów powodowanych przez spirytus).
Zadbać o regularne sprawdzanie gaśnicy przez specjalistę.
- Osoby (w tym dzieci), które ze względu na zdolności fizyczne, sensoryczne lub umysłowe albo ze względu na brak doświadczenia lub niewiedzę nie są w stanie bezpiecznie używać produktu, nie mogą go używać bez nadzoru lub instruktażu odpowiedzialnej osoby.
- **Urządzenia elektryczne nie są zabawkami**
Nie dopuszczać dzieci i osób upośledzonych do urządzeń elektrycznych. Pozwalać na używanie urządzeń elektrycznych wyłącznie pod nadzorem.



UWAGA!

- Używać kuchenki wyłącznie zgodnie z jej przeznaczeniem.

Tylko kuchenka spirytusowa/elektryczna ORIGO C100 i C200



OSTRZEŻENIE!

- Umieścić w zasięgu gaśnicę klasy B-1 (do pożarów powodowanych przez elektryczność).
Zadbać o regularne sprawdzanie gaśnicy przez specjalistę.

- Przed rozpoczęciem prac przy urządzeniu należy zawsze odłączyć zasilanie.
- Prace związane z konserwacją i czyszczeniem mogą być wykonywane wyłącznie przez specjalistów, którzy są świadomi powiązanych z nimi zagrożeń i są zaznajomieni z obowiązującymi przepisami.
- Jeżeli kabel przyłączeniowy jest uszkodzony, wymaga wymiany przez specjalistę.
Nieprawidłowo przeprowadzone naprawy mogą być przyczyną poważnych zagrożeń.
- Jeżeli kuchenka nie jest wyposażona w dostępną wtyczkę, to stałe okablowanie musi być wyposażone w wielobiegunowy odłącznik.
- Zapoznać się z informacjami o tym, jak w sytuacji awaryjnej wyłącza się wyłącznik ochronny FI lub wyjmuje się bezpiecznik.

2.2 Bezpieczeństwo podczas obchodzenia się ze spirytusem denaturowanym



OSTRZEŻENIE!

- Łatwopalne materiały trzymać z dala od urządzeń grzejnych i kuchenek oraz innych źródeł światła i ciepła.
- Przechowywać spirytus denaturowany wyłącznie w odpowiednich zbiornika i w wystarczającej odległości od kuchenki.
- Usunąć wszystkie źródła iskier lub płomieni z miejsca przechowywania lub wlewania spirytusu.
- Nigdy nie napełniać mis palnika w kuchence. Nigdy nie wlewać spirytusu przez otwory palnika w osłonie (rys. **1**, strona 2).
- Przelanie lub rozlanie spirytusu denaturowanego oraz gorące przedmioty mogą być przyczyną silnych poparzeń.
- Ponieważ spirytus pali się prawie niewidocznym płomieniem, znaczne szkody mogą wystąpić przed spostrzeżeniem zagrożenia.



UWAGA!

- Natychmiast wycierać rozlany spirytus, aby usunąć zagrożenie pożarem.

- Podczas obchodzenia się ze spirytusem lub podczas pracy kuchenki nie palić.
- Misę palnika napełniać jedynie do maksymalnego poziomu. Podgrzany spirytus denaturowany ulega rozciąganiu w misie palnika. Przelewający się spirytus powoduje niekontrolowane spalanie w kuchence.

2.3 Bezpieczeństwo podczas eksploatacji urządzenia



OSTRZEŻENIE!

- Używać długich zapalek lub odpowiedniej zapalarki. Po zapaleniu palnika szybko cofnąć rękę.
- Podczas używania kuchenki należy nosić odpowiednią odzież. Nie nosić luźno zwisających ubrań, które mogą się zapalić.



UWAGA!

- Przed dotknięciem kuchenki gołymi rękami poczekać, aż ostygnie ona do temperatury otoczenia.
- Obszar wokół kuchenki utrzymywać w stanie wolnym od tłuszczu, substancji alkoholowych, materiałów plastikowych i łatwopalnych (np. zasłon, ręczników, materiałów kuchennych).
- Używać wyłącznie garnków i patelni z równym dnem o średnicy maksymalnie 23 cm (9 cali). Garnki i patelnie muszą być na tyle duże, aby zakrywały element grzejny. W przypadku użycia zbyt małego garnka lub zbyt małej patelni część elementu grzejnego jest odkryta, co może spowodować zapłon elementów odzieży. Ponadto garnki i patelnie o odpowiedniej wielkości zwiększają ekonomiczność.
- Podczas gotowania uważać, aby garnki i patelnie były bezpiecznie ustawione. Zaleca się używanie uchwytów do garnków (rys. 2 2, strona 2, **Osprzęt**).
- Nie pozwolić, aby uchwyty garnków lub patelni wystawały nad kuchenką. Obrócić uchwytu do wewnątrz — tak, aby nie znajdowały się nad innymi palnikami. Zmniejsza to ryzyko rozlania, zapalenia palnych materiałów i odniesienia poważnych obrażeń.
- Zachować ostrożność podczas podgrzewania tłuszczu lub oleju. Tłuszcz i olej mogą ulec zapłonowi przy zbyt wysokiej temperaturze.

- Używać wyłącznie suchych podkładek pod garnki, aby uniknąć powstawania pary. Zamiast podkładek nie należy używać ścierek lub podobnych materiałów, ponieważ mogą się one zapalić.
- Nigdy nie pozostawiać włączonej kuchenki bez kontroli. Garnki podgrzewane przez zbyt długi czas mogą powodować dym i pożary.
- Przed zdjęciem garnka lub patelni ustawić regulator (rys. **2** 1, strona 2) w pozycji „WYŁ”.
- Nie używać kuchenki do ogrzewania pomieszczenia.
- **Tylko Dometic ORIGO C100 i C200:** Nigdy nie używać jednocześnie palnika spirytusowego i elektrycznego, aby uniknąć przegrzania; w przeciwnym razie może dojść do uszkodzenia elementu grzejnego.
- **Tylko Dometic ORIGO C100 i C200:** Używanie elektrycznego palnika z wysoką temperaturą bez napełnionego garnka może doprowadzić do uszkodzenia kuchenki.

3

W zestawie

- Kuchenka
- Instrukcja obsługi



4

Osprzęt

Opis	Nr art.			
	A100	A200	C100	C200
Szklana pokrywa	9103303992	9103303991	9103303992	9103303991
Uchwyt garnka	9103303982		9103303982	
Zapasowy palnik	9103303993		9103303993	

5

Obszar zastosowań

Kuchenka ORIGO firmy Dometic jest przeznaczona do użytku w pojazdach i łodziach.

6 Opis techniczny

6.1 Funkcja

Kuchenka jest wykonana ze stali szlachetnej i działa na zasadzie absorpcyjnej. Pojemność misy palnika to 1,2 l. Paliwem jest spirytus denaturowany. Palnik zapala się za pomocą długich zapalek lub odpowiedniej zapalarki.

Spirytus denaturowany jest absorbowany w misie palnika przez niepalny materiał. Urządzenie nie jest wyposażone w zawór paliwa i przewody paliwa, które mogłyby się rozszczelnić, ani innych podobnych elementów, które wymagałyby regularnej konserwacji.

Kuchenki spirytusowe/elektryczne Dometic ORIGO C100 i C200 są wyposażone w element grzejny o mocy 1200 W. Można jest użytkować ze spirytusem lub napięciem elektrycznym 220–240 V.

6.2 Specyfikacje wariantów urządzenia

Kuchenka jest dostępna w różnych wersjach.

- **A100 i C100:** kuchenka z jednym palnikiem
- **A200 i C200:** kuchenka z dwoma palnikami
- **C100 i C200:** dodatkowy element grzejny do pracy z napięciem 220–240 V

Typ posiadanego urządzenia można określić na podstawie numeru artykułu, podanego na tabliczce znamionowej, znajdującej się po prawej stronie kuchenki.

6.3 Elementy obsługowe

Elementy obsługowe do pracy ze spirytusem (rys. 2, strona 2):

Nr	Opis
1	Regulator, płynny Obrót przeciwnie do ruchu wskazówek zegara zwiększa płomień.
2	Uchwyt garnka (osprzęt)

Elementy obsługowe do pracy z prądem przemiennym 230–240 V (rys. 3, strona 3) (Dometic ORIGO C100 und C200)

Nr	Opis
1	Kontrolna dioda LED Dioda LED świeci, gdy jest włączone zasilanie.
2	Regulator Obrót w kierunku ruchu wskazówek zegara zwiększa moc elementu grzejnego.

7 Montaż kuchenki

Kuchenkę można zamontować w blacie roboczym kuchni.

7.1 Wybór miejsca montażu

Przy wybieraniu miejsca montażu należy uwzględnić następujące wskazówki:

- Wybrać dla urządzenia miejsce o odpowiedniej wentylacji.
- Zapewnić minimalny odstęp (rys. 6, strona 4) wynoszący
 - 50 mm od ścian bocznych i tylnych,
 - 750 mm między elementem grzejnym a poziomą powierzchnią nad kuchenką.
- Unikać przeciągów w miejscu montażu.
W przypadku montażu kuchenki w otwartej kabinie lub innych otwartych obszarach należy dodatkowo zamontować osłonę przed wiatrem.
- Nie montować kuchenki pod szafkami wiszącymi.
W przeciwnym razie będzie występować niebezpieczeństwo pożaru podczas prac przy kuchenke.
- **Nie** używać kuchenki w pomieszczeniach, w których występuje niebezpieczeństwo wybuchu.

7.2 Montaż kuchenki



UWAGA! Niebezpieczeństwo uszkodzenia urządzenia!

Przed wykonaniem otworów upewnić się, że wiercenie, cięcie i piłowanie nie powodują ryzyka uszkodzenia kabli elektrycznych lub innych części pojazdu.

- Wyciąć prostokątny otwór w blacie roboczym (wymiary podano w poniższej tabeli):

Model	Wymiary (szer. x gł. x wys.):
A100	255 x 150 x 340 mm
A200	485 x 150 x 340 mm
C100	255 x 150 x 340 mm
C200	485 x 150 x 340 mm

- Otworzyć kuchenkę i wyjąć misy palników (patrz „Wymowanie misy palnika” na stronie 183).
- Otworzyć część z zawiasem, znajdującą się w tylnej części kuchenki.
- Ustawić kuchenkę zgodnie z rys. **4**, strona 3.
- Zaznaczyć otwory.
Jako szablonu użyć otworów w zawiasie.
- Nawiercić zaznaczone otwory w blacie roboczym.
- Przymocować kuchenkę za pomocą śrub z łbem wpuszczanym przez wszystkie otwory zawiasu (rys. **5** 1, strona 4).
- Umieścić zamknięcie magnetyczne przed wycięciem (rys. **4** 1, strona 3).
- Umieścić w zasięgu gaśnicę klasy B-1.

7.3 Podłączenie elektryczne kuchenki (tylko Dometic ORIGO C100 i C200)



OSTRZEŻENIE!

Podłączenie kuchenki może zostać wykonane wyłącznie przez odpowiednio wykwalifikowanych specjalistów.

Poniższe informacje są skierowane do specjalistów, którzy są zaznajomieni z odpowiednimi dyrektywami i przepisami dotyczącymi bezpieczeństwa.

Podczas podłączania elektrycznego należy uwzględnić następujące zasady bezpieczeństwa:



UWAGA! Niebezpieczeństwo zwarcia!

- Używać wyłącznie uziemionych gniazd zabezpieczonych wyłącznikiem ochronnym FI.
- Jeżeli jest konieczne przeprowadzenie przewodów przez ściany metalowe lub ściany o ostrych krawędziach, należy użyć kanałów lub przepustów, aby uniknąć uszkodzeń.
- Nie układać przewodów luźno lub zagiętych na materiałach przewodzących prąd (metal).
- Mocno przymocować przewody.
- Nie ciągnąć za przewody.
- Ułożyć przewody tak, aby nie stwarzały ryzyka potknięcia i aby wykluczone było ryzyko uszkodzenia kabla.

- Korzystając z tabliczki znamionowej umieszczonej po prawej stronie kuchenki upewnić się, czy napięcie robocze urządzenia jest zgodne z napięciem sieci.
- Połączyć trzy przewody kabla przyłączeniowego z siecią.
- Zabezpieczyć kabel opaską zaciskową.

8 Używanie kuchenki

8.1 Wlewanie spirytusu denaturowanego



OSTRZEŻENIE!

Nigdy nie wlewać paliwa przez otwór palnika w górnej części kuchenki (rys. **1**, strona 2).

Przelanie lub rozlanie spirytusu denaturowanego oraz gorące przedmioty mogą być przyczyną silnych poparzeń.

- ▶ Upewnić się, że wszystkie palniki są wyłączone:
 - Praca ze spirytusem denaturowanym: Ustawić regulator w pozycji WYŁ.
 - Praca z napięciem 220–240 V (**tylko C100 i C200**): Wyłączyć elementy grzejne.
- ▶ Upewnić się, że kuchenka ostygła do temperatury pokojowej.
- ▶ Rozłożyć kuchenkę do góry (rys. **7**, strona 5).

Wymowanie misy palnika

W trybie pracy elastyczny uchwyt (rys. **8** 1, strona 5) w wycięciu zabezpieczenia (rys. **8** 2, strona 5) jest zablokowany.

- ▶ W celu zwolnienia zbiornika paliwa należy nacisnąć uchwyt (rys. **9** 1, strona 5) w kierunku strzałki i obrócić zabezpieczenie (rys. **9** 2, strona 5) w kierunku ruchu wskazówek zegara (rys. **10**, strona 5).
- ▶ Gdy uchwyt (rys. **11** 1, strona 5) jest ustawiony pionowo, nacisnąć go w kierunku strzałki.
- ✓ Misa palnika zostaje zwolniona.
- ▶ Wyjąć misę palnika.

Wlewanie spirytusu denaturowanego

- ▶ Sprawdzić otwór zbiornika i upewnić się, że nie pali się on ani nie żarzy.
- ▶ Przed napełnieniem upewnić się, że misa palnika jest wystarczająco chłodna, aby było możliwe trzymanie jej gołymi rękami.
- ▶ Przytrzymać misę palnika (rys. **12**, strona 6) pochyloną w dół.

- Wlać spirytus denaturowany przez siatkę drucianą w otwór misy palnika. Nie wolno przekraczać maksymalnej ilości napełnienia, wynoszącej 1,2 l na misę palnika.
- Sprawdzić dopuszczalny poziom napełnienia, przytrzymując misę palnika pionowo w dół (rys. 13, strona 6).

Przytrzymać ją w tej pozycji przez 20 s, aby się upewnić, że nie jest przepełniona. Jeżeli przypadkowo wiano zbyt dużą ilość spirytusu denaturowanego, należy zutilizować nadmiar.

- ✓ Maksymalny poziom napełnienia jest osiągnięty, gdy spirytus jest widoczny przy dolnym krańcu otworu.



WSKAZÓWKA

Kuchenka działa także wtedy, gdy misa palnika nie jest napełniona do maksymalnego poziomu.

- Oczyszczyć misę palnika na zewnątrz z ewentualnie rozlanego spirytusu.

Wkładanie misy palnika

- Wsunąć misę palnika do oporu w urządzenie, aby uchwyt ją zablokował (rys. 14 1, strona 6).
- W celu zabezpieczenia uchwytu (rys. 15 1, strona 6) należy nacisnąć go w kierunku strzałki i jednocześnie obrócić zabezpieczenie (rys. 15 2, strona 6) przeciwnie do ruchu wskazówek zegara, aż uchwyt (rys. 15 1, strona 6) się zablokuje.

8.2 Zapalanie kuchenki



OSTROŻNIE!

Do zapalania należy używać długich zapalek lub zapalniczki prętowej.

Po zapaleniu palnika szybko odsunąć ręce na bok.

- Obrócić regulator palnika.
- ✓ Palnik jest otwarty.
- Zapalić kuchenkę, przytrzymując długą zapalną lub zapalniczkę prętową przy otworze palnika (rys. 16, strona 7).
- Ustawić płomień tak, aby nie rozciągał się poza powierzchnię garnka.
- Ustawić regulator na żądany stopień.

**WSKAZÓWKA**

Jeżeli kuchenka nie ostygła jeszcze po ostatnim użyciu, palnik może gasnąć bezpośrednio po zapaleniu. Należy wówczas wdmuchnąć powietrze do otworu palnika, aby odprowadzić parę. Następnie zapalić kuchenkę zgodnie z powyższym opisem.

8.3 Gaszenie płomienia

- ▶ Ustawić regulator w pozycji WYŁ.
- ✓ Palnik jest zamknięty.
- ▶ Zaczekać około pięciu sekund.
- ▶ Ustawić regulator na maksymalny stopień, aby się upewnić, że płomień zgasł.
- ✓ Palnik jest otwarty.
- ▶ Ustawić regulator w pozycji WYŁ.
- ✓ Palnik jest zamknięty.
- ▶ W razie potrzeby poczekać na całkowite ostygnięcie kuchenki przed zamknięciem szklanej pokrywy (**Osprzęt**).

**8.4 Używanie elementu grzejnego
(tylko Domestic ORIGO C100 i C200)****UWAGA!**

Nigdy nie używać w tym samym czasie spirytusu denaturowanego i prądu przemiennego 230 V, aby uniknąć przegrzania urządzenia i uszkodzenia elementu grzejnego.

- ▶ W razie potrzeby otworzyć szklaną pokrywę (**Osprzęt**).
- ▶ Aby **włączyć** element grzejny, wcisnąć regulator i obrócić go przeciwnie do ruchu wskazówek zegara.
- ▶ Wybrać żądany stopień.
- ▶ Aby **wyłączyć** element grzejny, ustawić regulator w pozycji WYŁ.
- ▶ Przed zamknięciem szklanej pokrywy (**Osprzęt**), dotknięcie powierzchni kuchenki lub odłożeniu na kuchenkę palnych przedmiotów pozostawić element grzejny do całkowitego ostygnięcia.

9 Czyszczenie i konserwacja kuchenki



UWAGA!

Do czyszczenia nie wolno używać ostrych lub twardych środków, ponieważ mogą one doprowadzić do uszkodzenia urządzenia.

- Zdjąć kratkę z kuchenki.
- Wyczyścić powierzchnię kuchenki. Usunąć w szczególności przywierający tłuszcz i resztki oleju.
- **Tylko C100 i C200:** Unieść element grzejny, aż będzie odczuwalny opór. Wyczyścić kuchenkę pod elementem grzejnym.
- W żadnym wypadku nie używać myjki parowej do czyszczenia kuchenki.

10 Gwarancja

Warunki gwarancji zostały opisane w Karcie Gwarancyjnej dołączonej do produktu.

W celu naprawy lub rozpatrzenia gwarancji konieczne jest przesłanie:

- kopii rachunku z datą zakupu,
- informacji o przyczynie reklamacji lub opisu wady.

11 Utylizacja

- Opakowanie należy wyrzucić do odpowiedniego pojemnika na śmieci do recyklingu.



Jeżeli produkt nie będzie dłużej eksploatowany, koniecznie dowiedz się w najbliższym zakładzie recyklingu lub w specjalistycznym sklepie, jakie są aktualnie obowiązujące przepisy dotyczące utylizacji.

12 Dane techniczne

	Kuchenka Dometic ORIGO	
	A100	A200
Nr art.:	9103303935	9103303937
Ilość palników:	1	2
Czas palenia:	ok. 4,5 h	
Moc palnika:	2000 W	
Czas gotowania 1 l wody:	10 min	
Pojemność zbiornika:	1,2 l	
Wymiary (szer. x wys. x gł.):	270 x 160 x 365 mm	500 x 160 x 365 mm
Waga:	3,5 kg	7 kg

	Kuchenka Dometic ORIGO	
	C100	C200
Nr art.:	9103303939	9103303941
Ilość palników:	1	2
Czas palenia:	ok. 4,5 h	
Moc palnika:	2000 W	
Napięcie zasilania:	220–240 V	
Moc elementy grzejnego:	1200 W/element	
Czas gotowania 1 l wody:	10 min	
Pojemność zbiornika:	1,2 l	
Wymiary (szer. x wys. x gł.):	270 x 160 x 365 mm	500 x 160 x 365 mm
Waga:	3,5 kg	7 kg

Před uvedením do provozu si pečlivě přečtěte tento návod k obsluze a uschovejte jej. V případě dalšího prodeje výrobku předejte návod novému uživateli.

Obsah

1	Vysvětlení symbolů	189
2	Všeobecné bezpečnostní pokyny	189
3	Rozsah dodávky	192
4	Příslušenství	193
5	Oblast použití	193
6	Technický popis	193
7	Zabudování vařiče	194
8	Použití vařiče	197
9	Čištění a ošetřování vařiče	200
10	Záruka	200
11	Likvidace	200
12	Technické údaje	201

1 Vysvětlení symbolů

**VÝSTRAHA!**

Bezpečnostní pokyny: Následkem nedodržení pokynů mohou být smrtelná nebo vážná zranění.

**UPOZORNĚNÍ!**

Bezpečnostní pokyny: Následkem nedodržení mohou být úrazy.

**POZOR!**

Nedodržení pokynů může mít za následek hmotné škody a narušení funkce výrobku.

**POZNÁMKA**

Doplňující informace týkající se obsluhy výrobku.

- **Činnost:** Tento symbol vás vyzývá k tomu, abyste něco učinili. Potřebné činnosti jsou popisovány v příslušném pořadí.
- ✓ Tento symbol popisuje výsledek určité činnosti.

Obr. 1 5, strana 3: Tento údaj odkazuje na prvek, zobrazený na obrázku. Na tomto příkladu se jedná o „pozici 5 na obrázku 1 na straně 3“.

2 Všeobecné bezpečnostní pokyny

V následujících případech nepřebírá výrobce žádné záruky za škody:

- Poškození výrobku působením mechanických vlivů a přepětí
- Změna výrobku bez výslovného souhlasu výrobce
- Použití k jiným účelům, než jsou popsány v tomto návodu

Prosím, dodržujte následující základní bezpečnostní opatření při používání elektrických zařízení na ochranu před:

- zásahem elektrickým proudem
- nebezpečím požáru
- zraněním

2.1 Základní bezpečnost



VÝSTRAHA!

- Používejte výlučně líh. Nepoužívejte **žádná** jiná paliva, jako benzin, motorovou naftu, metan, propan nebo zapalovače grilu.
- **Nebezpečí udušení!**
Postarejte se před zapnutím zařízení o to, aby byl prostor dobře vyvětrán.
- Umístěte v dosahu hasicí přístroj třídy A (pro požáry lihu). Zajistěte, aby hasicí přístroj kontroloval v pravidelných intervalech odborník.
- Osoby (včetně dětí), které na základě svých fyzických, smyslových a duševních schopností nebo nezkušenosti či neznalosti nejsou schopny produkt bezpečně používat, by tento produkt neměly používat bez dohledu nebo instrukcí odpovědné osoby.
- **Elektrické přístroje nejsou žádná hračka**
Udržujte děti a choré osoby z dosahu elektrických přístrojů.
Nechte je elektrické přístroje provozovat pouze pod dohledem.



POZOR!

- Vaříč používejte pouze v souladu s jeho určením.

Jen Dometic ORIGO lihové/elektrické vaříče C100 a C200



VÝSTRAHA!

- Umístěte v dosahu hasicí přístroj třídy B-1 (pro požáry způsobené elektrickým systémem). Zajistěte, aby hasicí přístroj kontroloval v pravidelných intervalech odborník.
- Při pracích na zařízení přerušete vždy napájení.
- Práce údržby a oprav smí provádět pouze odborník, který se seznámil s případnými riziky a příslušnými předpisy.
- Pokud je připojovací kabel poškozen, musí ho vyměnit odborník.
Neodbornými opravami mohou vzniknout značná ohrožení.
- Pokud vaříč nedisponuje přístupnou zástrčkou, musí být vybaven pevným propojením s odpojením všech pólů.
- Informujte se o tom, jak se v nouzovém případě odpojí proudový chránič, resp. vyjme pojistka.

2.2 Bezpečnost při zacházení s technickým líhem



VÝSTRAHA!

- Topná a varná zařízení udržujte z dosahu hořlavých materiálů a jiných zdrojů světla a tepla.
- Technický líh skladujte pouze ve vhodných nádobách a v dostatečné vzdálenosti od vařiče.
- Odstraňte veškeré zdroje jisker nebo plamenů na místě skladování nebo plnění lihu.
- Nikdy neplňte nádrže hořáku ve vařiči. Nikdy neplňte líh otvory hořáku v krytu (obr. **1**, strana 2).
- V důsledku přeplnění nebo rozlití technického lihu, jakož i horkými předměty může dojít k vážným popáleninám.
- Jelikož líh hoří téměř neviditelným plamenem, mohou vzniknout značné škody předtím, než zpozorujete nebezpečí.



POZOR!

- Rozlitý líh okamžitě setřete, abyste odstranili nebezpečí požáru.
- Nekuřte při manipulaci s líhem nebo při provozu vařiče.
- Naplňte nádrž hořáku jen po maximální plnicí množství. Zahřátý technický líh se v nádrži hořáku rozpíná. Přetečený technický líh způsobuje nekontrolovatelné hoření ve vařiči.

2.3 Bezpečnost při provozu zařízení



VÝSTRAHA!

- Používejte dlouhé zápalky nebo vhodné zapalovače. Stáhněte ruku rychle zpět, jakmile zapálíte hořák.
- Při používání vařiče noste vhodné oblečení. Nenoste volné visící části oděvu, které by mohly být zachyceny ohněm.



POZOR!

- Před dotykem vařiče holýma rukama nechte vařič ochladit na okolní teplotu.
- Prostor kolem elektrického vařiče udržujte čistý bez přítomnosti tuku, alkoholických substancí, plastových materiálů a hořlavých látek (např. záclony a závěsy, utěrky, kuchyňské materiály).

- Používejte pouze hrnce a pánve s rovným dnem a průměrem maximálně 23 cm (9 palců). Hrnce a pánve by měly být tak velké, aby zakryly topný článek. Pokud se používá příliš malý hrnec nebo příliš malá pánev, zůstává část topného článku volná, což může vést ke vznícení částí oděvu. Kromě toho zlepšují hrnce a pánve správné velikosti hospodárnost.
- Dávejte při vaření pozor na to, aby hrnce a pánve bezpečně stály. Doporučujeme používání držáku hrnců (obr. **2** 2, strana 2, **Příslušenství**).
- Nedovolte nikdy, aby úchyty hrnců nebo pánví vyčnívaly přes vařič. Otočte úchyty směrem dovnitř, avšak tak, aby se nenacházely nad jinými hořáky. Tím se sníží nebezpečí rozlití, vznícení hořlavých látek a vážného zranění.
- Při rozpalování tuku nebo oleje postupujte velmi opatrně. Tuk a olej se mohou při vysokém žáru vznítit.
- Použijte pouze suché chňapky, abyste zabránili tvorbě páry. Nepoužívejte namísto chňapek ručníky aj., protože by se mohly vznítit.
- Nikdy neprovozujte vařič bez dozoru. Kypící hrnce mohou způsobit vznik kouře a požárů.
- Před sundáním hrnce resp. pánve nastavte regulátor obr. **2** 1, strana 2) na „Vyp“.
- Nepoužívejte vařič k vytápění místnosti.
- **Jen Dometic ORIGO C100 a C200:** Nepoužívejte nikdy současně lihový a elektrický hořák, abyste zabránili přehřátí; jinak by mohlo dojít k poruše topného článku.
- **Jen Dometic ORIGO C100 a C200:** Provoz hořáku s vysokou teplotou bez naplněných hrnců může poškodit vařič.

3 Rozsah dodávky

- Vařič
- Návod k obsluze

4 Příslušenství

Popis	Č. výr.			
	A100	A200	C100	C200
Skleněný kryt	9103303992	9103303991	9103303992	9103303991
Držák hrnců	9103303982		9103303982	
Nádrž náhradního hořáku	9103303993		9103303993	

5 Oblast použití

ORIGO vařiče od firmy Dometic jsou určeny pro použití ve vozidlech a na lodích.

6 Technický popis

6.1 Funkce

Vařič je vyroben z ušlechtilé oceli a pracuje na absorpčním principu. Nádrž hořáku obsahuje 1,2 l. Jako palivo se používá technický lih. Hořák se zapaluje dlouhými zápalkami nebo vhodným zapalovačem.

Technický lih se absorbuje v nádrži hořáku z nehořlavého materiálu. Přístroj nemá žádný ventil paliva a žádné vedení paliva, které by mohlo být netěsné, nebo jiné podobné součásti, které by vyžadovaly pravidelnou údržbu.

Dometic ORIGO lihový/elektrický vařič C100 a C200 jsou vybaveny topným článkem 1200 W. Mohou být provozovány s lihem nebo elektricky s napětím 220 – 240 V.

6.2 Specifikace variant přístroje

Vařič je k dostání v různých provedeních.

- **A100 a C100:** Vařič s jedním hořákem
- **A200 a C200:** Vařič s dvěma hořáky
- **C100 a C200:** přídatný topný článek pro provoz s 220 – 240 V

Typ Vašeho zařízení můžete zjistit z čísla výrobku, které je uvedeno na typovém štítku vpravo na vaříči.

6.3 Ovládací prvky

Ovládací prvky pro provoz s technickým lihem (obr. 2, strana 2):

Č.	Popis
1	Regulátor, plynule nastavitelný Otáčením proti směru hodinových ručiček se plamen zvětšuje.
2	Držák hrnců (Příslušenství)

Ovládací prvky pro provoz s 220–240 V (obr. 3, strana 3) (Dometic ORIGO C100 a C200)

Č.	Popis
1	Kontrolní LED LED svítí, když je zapojen přívod proudu.
2	Regulační knoflík Otáčení ve směru hodinových ručiček zvětšuje výkon topného článku.

7 Zabudování vaříče

Vaříč můžete zabudovat do pracovní desky Vaší kuchyně.

7.1 Výběr montážního místa

Při výběru montážního místa dodržujte tyto pokyny:

- Vyberte pro zařízení dobře větrané místo.
- Zajistěte minimální vzdálenost (obr. 6, strana 4)
 - 50 mm od bočních a zadních stěn
 - 750 mm mezi topným článkem a horizontální plochou nad vaříčem
- Zabraňte průvanu na montážním místě.
Pokud namontujete vaříč do otevřené kabiny nebo do jiného otevřeného prostoru, je nutno umístit dodatečnou ochranu proti větru.

- Nemontujte vaříč pod závěsné skříňky. Jinak se vystavujete nebezpečí popálení a ohně, když budete manipulovat nad vaříčem.
- Neprovozujte vaříč **nikdy** v prostorech, ve kterých existuje nebezpečí výbuchu.

7.2 Zabudování vaříče



POZOR! Nebezpečí poškození přístroje!

Ujistěte se před umístěním otvorů, že se nepoškodí vrtáním, řezáním a pilováním žádné elektrické kabely nebo jiné díly vozidla.

- Vyřežte pravouhlý otvor v pracovní desce (rozměry viz následující tabulka):

Model	Rozměry (š x h x v):
A100	255 x 150 x 340 mm
A200	485 x 150 x 340 mm
C100	255 x 150 x 340 mm
C200	485 x 150 x 340 mm

- Otevřete vaříč a vyjměte nádrže hořáků (viz „Vyjmutí nádrže hořáku“ na straně 197).
- Otevřete díl se závěsem nacházející se vzadu na vaříči.
- Postavte vaříč podle obr. **4**, strana 3.
- Vyznačte otvory. Použijte otvory v závěsu jako šablonu.
- Předvrtejte vyznačené otvory do pracovní desky.
- Upevněte vaříč šrouby se zápusťnou hlavou skrz všechny otvory závěsu (obr. **5** 1, strana 4).
- Umístěte magnetický uzávěr před vyhloubení (obr. **4** 1, strana 3).
- Umístěte v dosahu hasicí přístroj třídy B-1.

7.3 Vaříč elektricky připojte (jen Dometic ORIGO C100 a C200)



VÝSTRAHA!

Připojení vaříče smí provádět výlučně vyškolené odborné podniky. Následující informace jsou směřovány na odborníky, kteří jsou seznámeni s příslušnými směrnicemi a bezpečnostními opatřeními.

Při elektrickém připojování dodržujte tyto pokyny:



POZOR! Nebezpečí zkratu!

- Použijte pouze uzemněné a proudovým chráničem jištěné zásuvky.
- Pokud musíte vést rozvody kovovými nebo jinými ostrohrannými stěnami, použijte kanály nebo průchodky, abyste zabránili poškození.
- Nepokládejte rozvody volně nebo zalomeně na elektricky vodivé materiály (kov).
- Rozvody bezpečně upevněte.
- Netahejte za rozvody.
- Položte rozvody tak, aby nevznikalo nebezpečí zakopnutí a bylo vyloučeno poškození kabelu.

- Ubezpečte se podle typového štítku umístěného vpravo na vaříči, že provozní napětí přístroje souhlasí se síťovým napájením.
- Propojte tři vodiče připojovacího kabelu se sítí.
- Zajistěte kabel sponou.

8 Použití vaříče

8.1 Naplnění technického lihu



VÝSTRAHA!

Neplňte nikdy palivo otvorem hořáku na horní straně vaříče (obr. **1**, strana 2).

V důsledku přeplnění nebo rozlití technického lihu, jakož i horkými předměty může dojít k vážným popáleninám.

- Ubezpečte se, že jsou odstaveny všechny hořáky:
 - Provoz s technickým lihem: Nastavte regulační knoflík na VYP.
 - Provoz s 220 – 240 V (**jen C100 a C200**): Vypněte topné články.
- Ubezpečte se, že vaříč je ochlazen na teplotu místnosti.
- Odklopte vaříč (obr. **7**, strana 5).

Vyjmutí nádrže hořáku

V provozním režimu je aretován flexibilní držák (obr. **8** 1, strana 5) ve výřezu pojistky (obr. **8** 2, strana 5).

- Pro uvolnění nádrže paliva stiskněte držák (obr. **9** 1, strana 5) ve směru šipky a otočte pojistku (obr. **9** 2, strana 5) ve směru hodinových ručiček (obr. **10**, strana 5).
- Pokud stojí držák (obr. **11** 1, strana 5) kolmo, zatlačte ho ve směru šipky.
- ✓ Nádrž hořáku se uvolní.
- Vyjměte nádrž hořáku.

Naplnění technického lihu

- Zkontrolujte otvor nádrže a ubezpečte se, že nehoří ani není rozpálený.
- Ubezpečte se před plněním, že nádrž hořáku je dostatečně studená a to tak, že ji můžete držet holýma rukama.
- Držte nádrž hořáku (obr. **12**, strana 6) skloněnou dolů.
- Naplňte technický líh přes drátěné pletivo do otvoru nádrže hořáku. Nesmí se překročit maximální plnicí množství 1,2 l pro jednu nádrž hořáku.

- Zkontrolujte přípustné plnicí množství tak, že nádrž hořáku přidržíte kolmo dolů (obr. 13, strana 6).

Držte ji 20 s v této poloze, abyste zajistili, že nebyla přeplněná. Kromě toho odstraňte přebytečný technický líh, pokud jste nedopatřením naplnili příliš velké množství.

- ✓ Maximální hladina je dosažena, pokud je líh vidět na spodním konci otvoru.



POZNÁMKA

Vaříč funguje také tehdy, pokud není nádrž hořáku naplněna až po maximální plnicí množství.

- Očistěte nádrž hořáku zvenčí od případně vytečeného technického lihu.

Nasazení nádrže hořáku

- Zasuňte nádrž hořáku až na doraz do přístroje tak, aby ji držák aretoval (obr. 14 1, strana 6).
- Pro zajištění držáku (obr. 15 1, strana 6) stlačte držák ve směru šipky a otočte současně pojistku (obr. 15 2, strana 6) proti směru hodinových ručiček, až držák (obr. 15 1, strana 6) zapadne.

8.2 Zapalování vaříče



UPOZORNĚNÍ!

Pro zapalování použijte zápalky s nadměrnou délkou nebo tyčový zapalovač.

Jakmile je hořák zapálen, rychle odtáhněte ruku na stranu.

- Otočte regulačním knoflíkem.
- ✓ Hořák je zapnutý.
- Zapalte vaříč tak, že podržíte zápalku nadměrné délky nebo tyčový zapalovač u otvoru hořáku (obr. 16, strana 7).
- Nastavte plamen tak, aby nepřesahoval přes plochu hrnce.
- Nastavte regulační knoflík na požadovaný stupeň.

**POZNÁMKA**

Pokud vařič ještě od předchozího používání nevychladl, může hořák zhasnout hned po zapálení. Foukněte v takovém případě vzduch do otvoru hořáku, abyste odstranily páry. Potom zapalte vařič výše popsáním způsobem.

8.3 Zhasnutí plamene

- ▶ Nastavte regulační knoflík na VYP.
- ✓ Hořák je vypnutý.
- ▶ Počkejte přibližně pět sekund.
- ▶ Nastavte regulátor na maximální stupeň, abyste zajistili, že plamen zhasnul.
- ✓ Hořák je zapnutý.
- ▶ Nastavte regulační knoflík na VYP.
- ✓ Hořák je vypnutý.
- ▶ Počkejte, až vařič úplně vychladne, než zavřete skleněný kryt (**příslušenství**).

8.4 Použití topného článku (jen Dometic ORIGO C100 a C200)

**POZOR!**

Nepoužívejte nikdy současně technický líh a střídavý proud 230 V, abyste zabránili přehřátí přístroje a škodám na topném článku.

- ▶ Otevřete příp. skleněný kryt (**příslušenství**).
- ▶ Abyste **zapnuli** topný článek, stiskněte regulační knoflík a otočte ho ve směru hodinových ručiček.
- ▶ Zvolte požadovaný stupeň.
- ▶ Abyste **vypnuli** topný článek, nastavte regulační knoflík na VYP.
- ▶ Nechte topný článek úplně vychladnout předtím, než zavřete skleněný kryt (**příslušenství**), dotknete se povrchu vařiče nebo na vařič odložíte hořlavé předměty.

9 Čištění a ošetřování vařiče



POZOR!

Nepoužívejte pro čištění ostré a tvrdé prostředky, protože vedou k poškození přístroje.

- ▶ Sundejte mřížku z vařiče.
- ▶ Vyčistěte povrch vařiče. Odstraňte zejména lepkavé zbytky tuků a olejů.
- ▶ **Jen C100 a C200:** Nadzvedněte topný článek, až kým ucítíte odpor. Vyčistěte vařič pod topným článkem.
- ▶ Nepoužívejte pro čištění vařiče v žádném případě parní čistič.

10 Záruka

Na výrobek je poskytována záruka v souladu s platnými zákony. Pokud je výrobek vadný, kontaktujte svého specializovaného prodejce nebo pobočku výrobce ve vaší zemi (adresy jsou uvedeny na zadní straně návodu).

K provedení opravy nebo záručního servisu musíte zaslat následující dokumentaci:

- kopii účtu s datem zakoupení,
- uvedení důvodu reklamace nebo popisu vady.

11 Likvidace

- ▶ Obalový materiál likvidujte v odpadu určeném k recyklaci.



Jakmile výrobek zcela vyřadíte z provozu, informujte se v příslušných recyklačních centrech nebo u specializovaného prodejce o příslušných předpisech o likvidaci odpadu.

12 Technické údaje

	Vaříč Domestic ORIGO	
	A100	A200
Č. výr.:	9103303935	9103303937
Počet hořáků:	1	2
Doba hoření:	cca 4,5 h	
Výkon hořáku:	2000 W	
Doba vaření 1 l vody:	10 min	
Plnicí množství nádrže:	1,2 l	
Rozměry (š x v x h):	270 x 160 x 365 mm	500 x 160 x 365 mm
Hmotnost:	3,5 kg	7 kg

	Vaříč Domestic ORIGO	
	C100	C200
Č. výr.:	9103303939	9103303941
Počet hořáků:	1	2
Doba hoření:	cca 4,5 h	
Výkon hořáku:	2000 W	
Napájecí napětí:	220–240 V	
Výkon topného článku:	1200 W/článek	
Doba vaření 1 l vody:	10 min	
Plnicí množství nádrže:	1,2 l	
Rozměry (š x v x h):	270 x 160 x 365 mm	500 x 160 x 365 mm
Hmotnost:	3,5 kg	7 kg

Pred uvedením zariadenia do prevádzky si prosím pozorne prečítajte tento návod a odložte si ho. V prípade odovzdania výrobku ďalšiemu používateľovi mu odovzdajte aj tento návod.

Obsah

1	Vysvetlenie symbolov	203
2	Všeobecné bezpečnostné pokyny	203
3	Rozsah dodávky	207
4	Príslušenstvo	207
5	Oblasť použitia	207
6	Technický popis	207
7	Zabudovanie variča	208
8	Používanie variča	211
9	Čistenie a údržba variča	214
10	Ručenie	214
11	Likvidácia	214
12	Technické údaje	215

1 Vysvetlenie symbolov

**VÝSTRAHA!**

Bezpečnostný pokyn: Nerešpektovanie môže viesť k smrti alebo k ťažkému zraneniu.

**UPOZORNENIE!**

Bezpečnostný pokyn: Nerešpektovanie môže viesť k zraneniam.

**POZOR!**

Nerešpektovanie môže viesť k materiálnym škodám a môže ovplyvniť funkciu zariadenia.

**POZNÁMKA**

Doplňujúce informácie k obsluhu výrobku.

- **Konanie:** Tento symbol vám ukáže, že musíte niečo urobiť. Potrebné konania budú popísané krok za krokom.
- ✓ Tento symbol popisuje výsledok niektorého konania.

Obr. 1 5, strana 3: Tento údaj poukazuje na prvok v niektorom obrázku, v tomto príklade na „Pol. 5 v Obr. 1 na strane 3“.

2 Všeobecné bezpečnostné pokyny

Výrobca v nasledujúcich prípadoch nepreberá za škody žiadnu záruku:

- Poškodenia produktu mechanickými vplyvmi a prepätiami
- Zmeny produktu bez vyjadreného povolenia výrobcu
- Použitie na iné účely ako sú účely uvedené v návode

Pri používaní elektrických spotrebičov rešpektujte nasledujúce základné bezpečnostné opatrenia na ochranu pred:

- zásahom elektrickým prúdom,
- nebezpečím požiaru,
- zraneniami.

2.1 Základná bezpečnosť



VÝSTRAHA!

- Používajte výhradne lieh. **Nepoužívajte** iné palivá ako benzín, naftu, metán, propán ani podpaľovač grilu.
- **Nebezpečenstvo udusenía!**
Pred zapnutím spotrebiča zaistite, aby bol priestor dostatočne vetraný.
- Zaistite, aby ste mali na dosah hasiaci prístroj triedy A (na požiare spôsobené liehom).
Zabezpečte, aby hasiaci prístroj pravidelne kontroloval odborník.
- Osoby (vrátane detí), ktoré z dôvodu ich fyzických, zmyslových či duševných schopností alebo ich neskúsenosti či neznalosti nie sú schopné výrobok bezpečne používať, nemajú používať tento prístroj bez dozoru alebo poučenia od zodpovednej osoby.
- **Elektrické spotrebiče nie sú detské hračky**
Uchovávajte deti a slabšie osoby mimo ich dosahu. Elektrické zariadenia nepoužívajte bez dozoru.



POZOR!

- Varič používajte len v súlade s jeho určením.

Len liehovo-elektrické variče Dometic ORIGO C100 a C200



VÝSTRAHA!

- Zaistite, aby ste mali na dosah hasiaci prístroj triedy B-1 (na požiare spôsobené elektrickou energiou).
Zabezpečte, aby hasiaci prístroj pravidelne kontroloval odborník.
- Pri prácach na spotrebiči vždy prerušte napájanie.
- Údržbu a opravy smie vykonávať výhradne odborník, ktorý je oboznámený so súvisiacimi nebezpečenstvami a s príslušnými predpismi.
- Keď je pripojovací kábel poškodený, odborník ho musí vymeniť.
V dôsledku neodborných opráv môžu vzniknúť značné nebezpečenstvá.
- Ak varič nedisponuje voľne prístupnou zástrčkou, pevné zapojenie musí obsahovať rozdeľovač jednotlivých fáz.

- Informujte sa, ako možno v núdzovom prípade spotrebič odpojiť od napájania ističom FI, resp. ako možno vybrať poisťku.

2.2 Bezpečnosť pri manipulácii s denaturovaným liehom



VÝSTRAHA!

- Horľavé látky uchovávajúte ďaleko od ohrievacích a varných zariadení, ako aj svetelných a tepelných zdrojov.
- Denaturovaný lieh skladujte výhradne vo vhodných nádobách a v dostatočnej vzdialenosti od variča.
- Odstráňte všetky zdroje iskier alebo plameňov na mieste skladovania alebo plnenia liehu.
- Nádobu horáka nikdy neplňte vo variči. Lieh nikdy nenalievajte cez otvory horáka v kryte (obr. **1**, strane 2).
- V dôsledku preplnenia alebo rozliatia denaturovaného lieku, ako aj kvôli horúcim predmetom môže dôjsť k ťažkým popáleninám.
- Lieh horí plameňom, ktorý je takmer neviditeľný, preto kvôli neskorému zisteniu nebezpečenstva môže dôjsť k značným škodám.



POZOR!

- Rozliaty lieh okamžite utrite, aby nedošlo k nebezpečenstvu požiaru.
- Pri manipulácii s liehom ani pri prevádzke variča nefajčite.
- Nádobu horáka naplňte najviac po značku maximálneho plniaceho množstva. Ohriaty denaturovaný lieh sa pri ohriatí nádoby horáka rozťahuje. Rozliaty denaturovaný lieh spôsobuje nekontrolované horenie vo variči.

2.3 Bezpečnosť pri prevádzke prístroja



VÝSTRAHA!

- Používajte dlhé zápalky alebo príslušný zapaľovač. Keď sa horák zapáli, rýchlo odtiahnite ruku.
- Pri používaní variča používajte vhodný odev. Nenoste voľne visiace odev, ktorý sa môže chytiť od ohňa.

**POZOR!**

- Varič nechajte vychladnúť na teplotu okolia a až potom sa ho dotýkajte holými rukami.
- Okolie elektrického variča zachovávajúajte bez tuku, alkoholových látok, plastov a horľavých látok (ako sú napr. záclony, utierky či kuchynské materiály).
- Používajte len hrnce a panvice s rovným dnom a s priemerom maximálne 23 cm (9 palcov). Hrnce a panvice musia byť také veľké, aby zakryli vyhrievací prvok. Ak použijete príliš malý hrniec alebo panvicu, časť vyhrievacieho prvku zostane nezakrytá, kvôli čomu sa odev môže chytiť od ohňa. Okrem toho hrnce a panvice správnej veľkosti zvyšujú hospodárnosť.
- Pri varení dajte pozor, aby boli hrnce a panvice bezpečne umiestnené. Odporúčame používať držiak na hrnce (obr. **2** 2, strane 2, **príslušenstvo**).
- Rukoväte hrncov alebo panvíc nikdy nenechajte prečnievať cez varič. Rukoväte otočte dovnútra tak, aby sa nenachádzali nad ostatnými horákmi. Zníži sa tak nebezpečenstvo rozliatia, zapálenia horľavých látok a vzniku ťažkých popálením.
- Pri ohrievaní tuku alebo oleja postupujte opatrne. Tuk a olej sa môžu pri vysokých teplotách zapáliť.
- Používajte výhradne suché chňapky, aby nedochádzalo k vzniku pár. Nepoužívajte namiesto chňapiek utierky a pod., pretože sa môžu chytiť od ohňa.
- Varič nikdy nenechajte pri prevádzke bez dozoru. Látky vykypené z hrncov môžu spôsobiť vznik dymu a požiar.
- Nastavte regulátor na možnosť AUS (Vyp.) (obr. **2** 1, strane 2) a až potom snímte hrniec alebo panvicu.
- Varič napoužívajte na vykurovanie priestorov.
- **Len Dometic ORIGO C100 a C200:** Nikdy nepoužívajte liehový a elektrický horák súčasne, aby nedošlo k prehriatiu, inak sa môže zničiť vyhrievací prvok.
- **Len Dometic ORIGO C100 a C200:** Pri používaní elektrického horáka s prázdny m hrncom na vysokom stupni výkonu môže dôjsť k poškodeniu variča.

3 Rozsah dodávky

- Varič
- Návod na obsluhu

4 Príslušenstvo

Opis	Tovarové č.			
	A100	A200	C100	C200
Sklený kryt	9103303992	9103303991	9103303992	9103303991
Držiak na hrnce	9103303982		9103303982	
Náhradné teleso variča	9103303993		9103303993	

5 Oblasť použitia

Variče ORIGO od spoločnosti Dometic sú určené na používanie vo vozidlách a na lodiach.

6 Technický popis

6.1 Funkcia

Varič je vyrobený z ušľachtilej ocele a funguje na princípe absorpcie. Objem nádoby horáka ja 1,2 l. Ako palivo sa používa denaturovaný lieh. Na zapalovanie horáka používajte dlhé zápalky alebo príslušný zapalovač.

Denaturovaný lieh sa v nádobe horáka absorbuje do nehorľavého materiálu. Spotrebič neobsahuje palivový ventil ani palivové vedenia, ktoré by sa mohli stať netesné, ani iné diely, ktoré by vyžadovali pravidelnú údržbu.

Liehovo-elektrické variče Dometic ORIGO C100 a C200 sú vybavené vyhrievacím prvkom s výkonom 1200 W. Môžu sa používať s liehom alebo s elektrickým prúdom s napätím 220 – 240 V.

6.2 Špecifikácie variantov spotrebiča

Varič sa dodáva v rôznych prevedeniach.

- **A100 a C100:** Varič s jedným horákom
- **A200 a C200:** Varič s dvomi horákmi
- **C100 a C200:** doplnkový vyhrievací prvok na prevádzku s napätím 220 – 240 V

Váš typ spotrebiča zistíte podľa tovarového čísla, ktoré je uvedené na typovom štítku na pravej strane variča.

6.3 Ovládacie prvky

Ovládacie prvky na prevádzku s liehom (obr. 2, strane 2):

č.:	Opis
1	Regulátor, plynulo nastaviteľný Otočením doľava sa plameň zväčší.
2	Držiak na hrnce (príslušenstvo)

Ovládacie prvky na prevádzku s 220 – 240 V (obr. 3, strane 3)
(Dometic ORIGO C100 a C200)

č.:	Opis
1	Ukazovatele LED Ukazovateľ LED svieti, keď je zapnuté napájanie.
2	Regulátor Otočením doprava sa zvýši výkon vyhrievacieho prvku.

7 Zabudovanie variča

Varič možno zabudovať do pracovnej platne v kuchyni.

7.1 Výber miesta zabudovania

Pri výbere miesta zabudovania zohľadnite nasledujúce upozornenia:

- Pre zariadenie vyberte dobre vetrané miesto.
- Je potrebná minimálna vzdialenosť (obr. 6, strane 4)

- 50 mm od bočných stien a zadnej steny,
- 750 mm medzi vyhrievacím prvkom a horizontálnou plochou nad varičom.
- Dbajte na to, aby v mieste montáže nedochádzalo k prievanu. Keď varič zabudujete do otvorenej kabíny alebo na iné otvorené miesto, doplnkovo namontujte aj ochranu proti vetru.
- Varič nemontujte pod visiace skrinky. Inak sa vystavíte nebezpečenstvu popálenia a požiaru, keď budete manipulovať so skrinkami nad varičom.
- Varič **nepoužívajte** v priestoroch, kde hrozí nebezpečenstvo výbuchu.

7.2 Zabudovanie variča



POZOR! Nebezpečenstvo poškodenia spotrebiča!

Pred vykonávaním vŕtacích prác zistite, či sa pri vŕtaní, rezaní a pilovaní nemôže poškodiť elektrický kábel alebo iné časti vozidla.

- Do pracovnej dosky vyrežte pravouhlý otvor (rozmery sú uvedené v nasledujúcej tabuľke):

Model	Rozmery (Š x H x V):
A100	255 x 150 x 340 mm
A200	485 x 150 x 340 mm
C100	255 x 150 x 340 mm
C200	485 x 150 x 340 mm

- Otvorte varič a vyberte von nádoby horákov (pozri „Vybratie nádoby horáka“ na strane 211).
- Otvorte diel s kovaním na zadnej strane variča.
- Postavte varič podľa obr. **4**, strane 3.
- Nakreslite otvory
Použite otvory v kovaní ako šablónu.
- Vyznačené otvory vyvŕtajte do pracovnej dosky.
- Pripevnite varič pomocou zápusťných skrutiek zaskrutkovaných do všetkých otvorov v kovaní (obr. **5** 1, strane 4).
- Pred výrez pripevnite magnetový uzáver (obr. **4** 1, strane 3).

- Zaistite, aby ste mali na dosah hasiaci prístroj triedy B-1.

7.3 Vykonať elektrické pripojenie variča (len Dometic ORIGO C100 a C200)



VÝSTRAHA!

Pripojenie variča smie vykonať výhradne príslušne vzdelaný odborník.

Nasledujúce informácie sú určené pre odborníkov, ktorí sú oboznámení s príslušnými smernicami a bezpečnostnými opatreniami.

Pri elektrickom pripojení rešpektujte nasledujúce bezpečnostné pokyny:



POZOR! Nebezpečenstvo skratu!

- Použite len uzemnené a ističom FI chránené zásuvky.
 - Ak musíte viesť vodiče cez plechové steny alebo iné steny s ostrými hranami, použite prázdnu trubicu alebo priechodku, aby nedošlo k poškodeniu.
 - Vodiče nekladte voľne ani zlomené na elektricky vodivé materiály (kov).
 - Vodiče bezpečne pripevnite.
 - Neťahajte za vodiče.
 - Vodiče kladte tak, aby nevzniklo nebezpečenstvo zakopnutia a aby bolo vylúčené poškodenie kábla.
- Skontrolujte, či sa údaje na typovom štítku na pravej strane variča týkajúce sa prevádzkového napätia spotrebiča zhodujú so sieťovým napätím.
 - Tri vodiče pripojovacieho kábla zapojte do siete.
 - Kábel zaistite sponou.

8 Používanie variča

8.1 Naliatie denaturovaného liehu



VÝSTRAHA!

Palivo nikdy neplňte cez otvory v horáku na hornej strane variča (obr. **1**, strane 2).

V dôsledku prepĺnenia alebo rozliatia denaturovaného liehu, ako aj kvôli horúcim predmetom môže dôjsť k ťažkým popáleninám.

- ▶ Skontrolujte, či sú vypnuté všetky horáky:
 - Prevádzka s denaturovaným liehom: Nastavte regulátor na možnosť AUS (Vyp.).
 - Prevádzka s napätím 220 – 240 V (len **C100 a C200**): Vypnite vyhrievacie prvky.
- ▶ Skontrolujte, či varič vychladol na izbovú teplotu.
- ▶ Otvorte varič (obr. **7**, strane 5).

Vybratie nádoby horáka

V režime prevádzky je flexibilný držiak (obr. **8** 1, strane 5) zablokovaný vo výreze poistky (obr. **8** 2, strane 5).

- ▶ Na uvoľnenie palivovej nádrže stlačte držiak (obr. **9** 1, strane 5) v smere šípky a otočte poistku (obr. **9** 2, strane 5) doprava (obr. **10**, strane 5).
- ▶ Keď bude držiak (obr. **11** 1, strane 5) v kolmej polohe, stlačte ho v smere šípky.
- ✓ Nádoba horáka sa uvoľní.
- ▶ Vyberte von nádobu horáka.

Naliatie denaturovaného liehu

- ▶ Cez otvor v nádrži skontrolujte, či vnútri nie je oheň ani žiara.
- ▶ Pred plnením skontrolujte, či je nádoba horáka dostatočne vychladnutá, aby ste ju mohli držať holou rukou.
- ▶ Nádobu horáka (obr. **12**, strane 6) držte naklonenú smerom dolu.
- ▶ Nalejte denaturovaný lieh cez drôtené pletivo do otvoru nádoby horáka. Nesmiete prekročiť maximálne plniace množstvo 1,2 l na každú nádobu horáka.

- Skontrolujte prípustné plniace množstvo tak, že nádobu horáka podržite kolmo dolu (obr. 13, strane 6).

V tejto polohe ju podržite 20 sekúnd, aby sa potvrdilo, že nie je preplnená. Okrem toho odstráňte prebytočný denaturovaný lieh, ak ste ho omylom naliali viac.

- ✓ Maximálny stav naplnenia je dosiahnutý, keď je lieh vidieť na dolnom konci otvoru.



POZNÁMKA

Varič funguje, aj keď nádoba horáka nie je naplnená na maximum.

- V prípade potreby nádobu horáka zvonku očistite od rozliateho denaturovaného liehu.

Vloženie nádoby horáka

- Zasuňte nádobu horáka až po zarážku spotrebiča tak, aby bola zablokovaná držiakom (obr. 14 1, strane 6).
- Na zaistenie držiaka (obr. 15 1, strane 6) ho stlačte v smere šípky a súčasne otočte poistku (obr. 15 2, strane 6) doľava, kým držiak (obr. 15 1, strane 6) nezapadne na svoje miesto.

8.2 Zapálenie variča



UPOZORNENIE!

Na zapáľovanie používajte veľmi dlhé zápalky alebo tyčový zapaľovač.

Keď sa horák zapáli, rýchlo odtiahnite ruku.

- Otvorte regulátor.
- ✓ Horák je otvorený.
- Zapáľte varič tak, že veľmi dlhú zápalku alebo tyčový zapaľovač podržite pri otvore horáka (obr. 16, strane 7).
- Plameň nastavte tak, aby neprečnieval cez plochu hrnca.
- Nastavte regulátor na požadovaný stupeň.

**POZNÁMKA**

Ak varič ešte nevychladol od posledného použitia, horák hneď po zapálení pravdepodobne zhasne. V takom prípade fúknite vzuch do otvoru horáka, aby sa odstránili pary. Potom znovu zapáľte varič podľa popisu.

8.3 Zhasnutie plameňa

- ▶ Nastavte regulátor na možnosť AUS (Vyp.).
- ✓ Horák je zatvorený.
- ▶ Počkajte asi päť sekúnd.
- ▶ Regulátor nastavte na maximálny stupeň, aby bolo zabezpečené, že plameň zhasol.
- ✓ Horák je otvorený.
- ▶ Nastavte regulátor na možnosť AUS (Vyp.).
- ✓ Horák je zatvorený.
- ▶ V prípade potreby počkajte, kým varič úplne vychladne a až potom zatvorte sklený kryt (**príslušenstvo**).

8.4 Používanie vyhrievacieho prvku (len Dometic ORIGO C100 a C200)

**POZOR!**

Nikdy nepoužívajte súčasne denaturovaný lieh a 230 V striedavý prúd, aby nedošlo k prehriatiu spotrebiča a poškodeniu vyhrievacieho prvku.

- ▶ V prípade potreby otvorte sklený kryt (**príslušenstvo**).
- ▶ Na **zapnutie** vyhrievacieho prvku stlačte regulátor a otočte ho doprava.
- ▶ Vyberte požadovaný stupeň.
- ▶ Na **vypnutie** vyhrievacieho prvku nastavte regulátor na možnosť AUS (Vyp.).
- ▶ Nechajte vyhrievací prvok úplne vychladnúť a až potom zatvorte sklený kryt (**príslušenstvo**), dotýkajte sa povrchu variča alebo naň kladte horľavé predmety.

9 Čistenie a údržba variča



POZOR!

Na čistenie nepoužívajte ostré ani tvrdé predmety, inak môže dôjsť k poškodeniu spotrebiča.

- Z variča snímte mriežku.
- Vyčistite povrch variča. Odstraňujte najmä lepivé zvyšky tuku a oleja.
- **Len C100 a C200:** Nadvihnite vyhrievací prvok, až kým nepocítite odpor. Vyčistite varič pod vyhrievacím prvkom.
- Na čistenie variča v žiadnom prípade nepoužívajte tlakový parný čistič.

10 Ručenie

Platí zákonom stanovená záručná lehota. Ak by bol výrobok chybný, obráťte sa na vášho špecializovaného predajcu alebo na pobočku výrobcu vo vašej krajine (adresy pozri na zadnej strane návodu).

Ak žiadate o vybavenie opravy alebo nárokov vyplývajúcich zo záruky, musíte priložiť nasledovné podklady:

- kópiu faktúry s dátumom kúpy,
- dôvod reklamácie alebo opis chyby.

11 Likvidácia

- Obalový materiál podľa možnosti odovzdajte do príslušného odpadu na recykláciu.



Keď výrobok definitívne vyradíte z prevádzky, informujte sa v najbližšom recyklačnom stredisku alebo u vášho špecializovaného predajcu o príslušných predpisoch týkajúcich sa likvidácie.

12 Technické údaje

	Variče Domestic ORIGO	
	A100	A200
Č. výr.:	9103303935	9103303937
Počet horákov:	1	2
Trvanie horenia:	cca. 4,5 hod.	
Výkon horáka:	2000 W	
Čas varenia pre 1 l vody:	10 min	
Plniace množstvo nádrže:	1,2 l	
Rozmery (Š x V x H):	270 x 160 x 365 mm	500 x 160 x 365 mm
Hmotnosť:	3,5 kg	7 kg

	Variče Domestic ORIGO	
	C100	C200
Č. výr.:	9103303939	9103303941
Počet horákov:	1	2
Trvanie horenia:	cca. 4,5 hod.	
Výkon horáka:	2000 W	
Napájacie napätie:	220–240 V	
Výkon vyhrievacieho prvku:	1200 W/prvok	
Čas varenia pre 1 l vody:	10 min	
Plniace množstvo nádrže:	1,2 l	
Rozmery (Š x V x H):	270 x 160 x 365 mm	500 x 160 x 365 mm
Hmotnosť:	3,5 kg	7 kg

GERMANY**Dometic WAECO International GmbH**

Hollefeldstraße 63 · D-48282 Emsdetten

☎ +49 (0) 2572 879-195 · 📠 +49 (0) 2572 879-322

Mail: info@dometic-waeco.de · Internet: www.dometic-waeco.de

AUSTRALIA**Dometic Australia Pty. Ltd.**1 John Duncan Court
Varsity Lakes QLD 4227

☎ +61 7 55076000

📠 +61 7 55076001

Mail: sales@dometic-waeco.com.au

AUSTRIA**Dometic Austria GmbH**Neudorferstrasse 108
2353 Guntramsdorf

☎ +43 2236 908070

📠 +43 2236 90807060

Mail: info@waeco.at

BENELUX**Dometic Benelux B.V.**Ecustraart 3
NL-4879 NP Etten-Leur

☎ +31 76 5029000

📠 +31 76 5029090

Mail: info@dometic.nl

DENMARK**Dometic Denmark A/S**Nordensvej 15, Taulov
DK-7000 Fredericia

☎ +45 75585966

📠 +45 75586307

Mail: info@waeco.dk

FINLAND**Dometic Finland OY**Mestarintie 4
FIN-01730 Vantaa

☎ +358 20 7413220

📠 +358 9 7593700

Mail: info@dometic.fi

FRANCE**Dometic S.N.C.**ZA du Pré de la Dame Jeanne
F-60128 Plailly

☎ +33 3 44633500

📠 +33 3 44633518

Mail: info@dometic.fr

HONG KONG**WAECO Impex Ltd.**Suites 2207-2211 · 22/F · Tower 1
The Gateway · 25 Canton Road,
Tsim Sha Tsui · Kowloon
Hong Kong

☎ +852 24611386

📠 +852 24665553

Mail: info@dometic-waeco.com.hk

ITALY**Dometic Italy S.r.l.**Via Virgilio, 3
I-47100 Forlì

☎ +39 0543 754901

📠 +39 0543 756631

Mail: info@dometic.it

NORWAY**Dometic Norway AS**Skolmar 24
N-3232 Sandefjord

☎ +47 33428450

📠 +47 33428459

Mail: firmapost@waeco.no

POLAND**Dometic Poland Sp. z o.o.**Ul. Puławska 435A
02-801 Warszawa
Poland

☎ +48 22 414 32 00

📠 +48 22 414 32 01

Mail: info@dometic.pl

RUSSIA**Dometic RUS LLC**Komsomolskaya square 6-1
107140 Moscow
Russia

☎ +7 495 780 79 39

📠 +7 495 916 56 53

Mail: info@dometic.ru

SLOVAKIA**Dometic Slovakia s.r.o.**Tehelná 8
SK-98601 Filákovo

☎ +421 47 4319 107

📠 +421 47 4319 166

Mail: info@dometic.sk

SPAIN**Dometic Spain S.L.**Avda. Sierra del Guadarrama, 16
E-28691 Villanueva de la Cañada
Madrid

☎ +34 902 111 042

📠 +34 900 100 245

Mail: info@dometic.es

SWEDEN**Dometic Scandinavia AB**Gustaf Melins gata 7
S-42131 Västra Frölunda (Göteborg)

☎ +46 31 7341100

📠 +46 31 7341101

Mail: info@waeco.se

SWITZERLAND**Dometic Switzerland AG**Riedackerstrasse 7a
CH-8153 Rümlang (Zürich)

☎ +41 44 8187171

📠 +41 44 8187191

Mail: info@dometic-waeco.ch

TAIWAN**WAECO Impex Ltd.**Taipei Office
2 FL-3 · No. 56 Tunhua South Rd, Sec 2
Taipei 106, Taiwan

☎ +886 2 27014090

📠 +886 2 27060119

Mail: marketing@dometic-waeco.com.tw

UNITED KINGDOM**Dometic UK Ltd.**Dometic House · The Brewery
Blandford St. Mary
Dorset DT11 9LS

☎ +44 844 626 0133

📠 +44 844 626 0143

Mail: sales@dometic.co.uk

UNITED ARAB STATES**Dometic AB**Regional Office Middle East
P O Box 74775
Dubai, United Arab Emirates

☎ +974 4 321 2160

📠 +971 4 321 2170

Mail: info@dometic.ae

UNITED STATES OF AMERICA**Dometic Marine Division**2000 N. Andrews Ave. Extension
Pompano Beach, FL 33069 USA

☎ +1 954 973 2477

📠 +1 954 979 4414

Mail: marinesales@dometicusa.com

