



DESIGNED AND
MANUFACTURED
IN ENGLAND

INSTALLATION AND
USER INSTRUCTIONS

CLIPPER V2.0
TARGET V2.0
CRUISER V2.0

WIND SYSTEMS

NASA →
MARINE INSTRUMENTS

NASA MARINE Ltd.
BOULTON ROAD
STEVENAGE
HERTS SG1 4QG
ENGLAND
(01438) 354033

RoHS ✓
2002/95/EC



Clipper V2/Target V2/Cruiser V2 Wind systems

INTRODUCTION

The Wind Systems are supplied complete with display unit, mast head sensor unit, 20 metre cable and mounting kit. They are designed to operate from the vessel's 12v battery supply.

The V2.0 range supersede earlier Wind systems with enhanced hardware and signal processing. The mast sensor has NMEA 0183 output sentence MWV and can be used with any compatible display device. Remote repeaters are available for all systems.

PRE-TEST OF INSTRUMENT

Before mounting the unit, check that it is complete and undamaged. Plug the masthead sensor unit into the 20-metre cable and connect the end of this cable to the supplied white connector block using the wiring diagram. Connect the display unit to the connector block as illustrated and apply 12 volts. Gently spin the wind cups and the wind vane and confirm the operation of the display.

INSTALLING THE CLIPPER WIND DISPLAY

Select a convenient position for the display on a panel or bulk-head. The site must be flat and the cavity behind the panel must remain dry at all times. (The cable entry is deliberately not sealed to ensure adequate ventilation. This prevents misting of the display).

Cut a hole in the panel 67mm high and 87mm wide. Unscrew and remove the wing nut from the rear of the instrument and remove the stainless-steel clamping bracket. Fit the "O" ring seal into the groove in the panel mounting face of the instrument. Ensure that it is correctly lying in its groove before fitting the instrument to the panel, as this provides the watertight seal for the display. Pass the attached cable through the hole ready for routing to the connector assembly. Fit the instrument into the panel, fit the stainless clamp over the stud, fit and tighten the wing nut finger tight only. It is important that the O ring rubber seal makes good contact with the panel to prevent water getting behind the unit and entering the cavity behind the panel. It is good practice to run the cables vertically downwards from the unit, even if they later must rise to connect to the master unit. Doing so prevents any water that might get onto the cables from running back along the cables and into the unit.

INSTALLING THE TARGET/CRUISER WIND DISPLAY

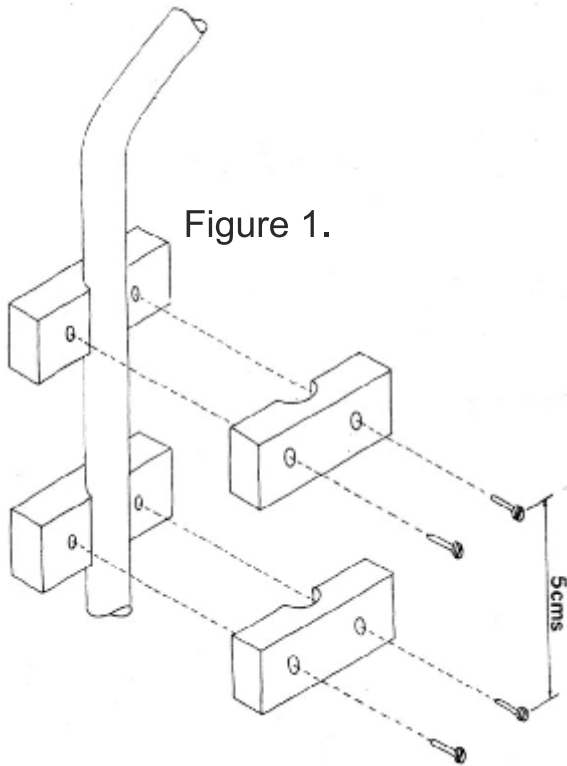
Select a convenient position for the display on a panel or bulk head. The site must be flat and the cavity behind the panel must remain dry at all times. (The cable entry boss is not sealed to ensure adequate ventilation. This prevents misting of the display.)

The positions for the fixing holes can be marked on the panel using the drill template

which is an integral part of the packing carton. Before drilling check that there is sufficient space behind the panel to route the cables and to allow access to tighten up the wing fixing nuts. Drill the five holes and check that the unit fits. It may be wise to connect the cables before finally fixing the unit in position. A sponge rubber seal is provided which should be fitted into the slot in the back of the instrument. Fit the instrument into the panel and tighten the four wing nuts finger tight only. It is important that the sponge rubber seal makes good contact with the panel or water may get behind the unit and enter the cavity behind the panel. It is always good practice to take the cables vertically down from the unit.

INSTALLING THE MASTHEAD SENSOR

Carefully loosen the four screws from the mounting plate on the underside of the sensor. Insert the short end of the anodised mounting tube fully into the slot and tighten the four screws to lock the tube in position. Drill the mast and fit the long end of the tube to the mast using the mounting blocks and screws as shown in FIG-1. Plug the twenty-metre cable into the fly lead from the sensor ensuring the connector is fully closed leaving no gap between the plug and socket. Now bind the connector with the self-amalgamating tape provided. You will have to stretch the tape to about twice its normal length as you bind it to ensure the tape welds itself together and protects the connection. Use the tie wraps to fix the cable to the mounting tube and ensure the connector is secure and not under stress.



CONNECTING THE WIND SENSOR

Run the cable down the mast through to the display and connect the three wires into the small three-way block of the connector assembly supplied. Connect the 12-volt power supply, via a one amp fuse, to the black and red inputs as shown in FIG-2.

CONNECTING THE WIND DISPLAY

Connect the three wires into the small three-way block of the connector assembly supplied as shown in FIG-2.

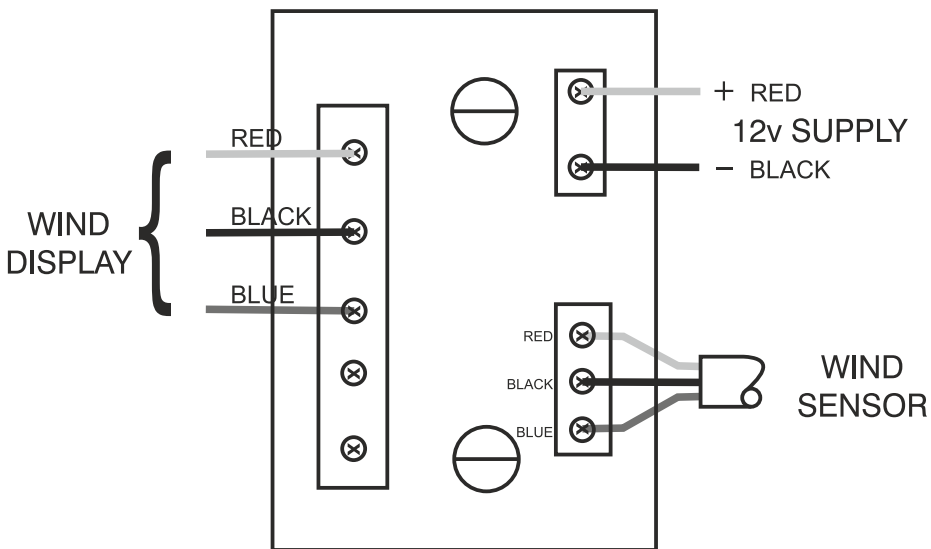


FIG 2.

ALIGNING THE DIRECTION - SETTING “DEAD AHEAD”

To calibrate the direction; switch on the power and point the wind vane to the dead ahead position. Using a short length of wire, touch the ends to the tops of the screws clamping the blue and the black wires of the wind sensor. This will momentarily connect the blue wire to ground and reset the mast sensor to zero dead ahead position. Remove the wire link. The dead ahead position is now stored in memory.

Using the Clipper Wind display

CHANGING THE BACK LIGHT SETTING

Backlighting is provided to allow the unit to be seen at night. In the same way as for the master units, the backlit area is restricted in the top corners of the display to concentrate the lighting in the areas of interest. The brightness of the backlighting can be adjusted at any time independently of the backlight setting of the master unit. The brightness is adjusted by pressing the ILLUM button. Each press of the button increases the brightness by one in the range 0 to 9, shown by the backlight indicator in the bottom left of the Repeater display. A setting of zero switches the backlighting off. In common with all the other settings in the unit, the backlight setting is stored even when the unit is off, so that it returns to the chosen setting whenever the unit is powered up again.

CHANGING THE POINTER SIZE

The width of the wind direction pointer can be selected by the user. Press the INC button to increase the pointer width. Press the DEC button to reduce the pointer width.

CHANGING THE POINTER STYLE

An alternative pointer is available which resembles a 'Windex' style indicator. Press the DEC and INC buttons simultaneously to change to the alternative pointer style at any time. Press the DEC and INC buttons again to change back to the standard pointer.

Note that no width adjustment of the standard pointer is available when the alternative pointer is selected.

CHANGING THE SPEED SETTING

The Clipper Wind can display wind speed measurements in miles per hour (MPH), nautical miles per hour (knots, shown as KTS), and metres per second (m/s). Pressing SCALE switches between knots, miles per hour, and metres per second. The choice is always saved so the unit operates as set whenever it is powered up again.

Using the Target/Cruiser Wind display

CHANGING THE BACK LIGHT SETTING

The backlight is switched on and off by pressing the ENTER key.

CHANGING THE POINTER SIZE

The width of the wind direction pointer can be selected by the user. Press the ▲ button to increase the pointer width. Press the ▼ button to reduce the pointer width.

CHANGING THE POINTER STYLE

The pointer style can be either a block or 'Windex' style. Press and together to switch between the styles. When the block pointer is displayed, ▲ increases its width and ▼ decreases its width. The ▲ and ▼ keys have no effect when the 'Windex' pointer style is displayed. As with the speed setting, the final setting is stored so the unit operates as set whenever its powered up again.

REPEATERS

Remote repeater displays are available for all Clipper, Target and Cruiser Wind systems.

The repeaters are supplied with 5 metres of cable, they are simply connected in parallel with the master displays to the connector block.

Repeater operation on all units is identical to the master display units.

NOTES

NOTES

IMPORTANT READ THIS BEFORE UNPACKING INSTRUMENT

Prior to unpacking this instrument read and fully understand the installation instructions. Only proceed with the installation if you are competent to do so. Nasa Marine Ltd. will not accept any responsibility for injury or damage caused by, during or as a result of the installation of this product. Any piece of equipment can fail due to a number of causes. Do not install this equipment if it is the only source of information and its failure could result in injury or death. Instead return the instrument to your retailer for full credit. Remember this equipment is an aid to navigation and not a substitute for proper seamanship. This instrument is used at your own risk, use it prudently and check its operation from time to time against other data. Inspect the installation from time to time and seek advice if any part thereof is not fully seaworthy.

LIMITED WARRANTY

Nasa Marine Ltd. warrants this instrument to be substantially free of defects in both materials and workmanship for a period of one year from the date of purchase. Nasa Marine Ltd. will at its discretion repair or replace any components which fail in normal use within the warranty period. Such repairs or replacements will be made at no charge to the customer for parts and labour. The customer is however responsible for transport costs. This warranty excludes failures resulting from abuse, misuse, accident or unauthorised modifications or repairs. In no event shall Nasa Marine Ltd. be liable for incidental, special, indirect or consequential damages, whether resulting from the use, misuse, the inability to correctly use the instrument or from defects in the instrument. If any of the above terms are unacceptable to you then return the instrument unopened and unused to your retailer for full credit.

Name _____

Address _____

Dealer Name _____

Address _____

Date of Purchase _____

Proof of purchase may be required for warranty claims.

Nasa Marine Ltd.

Boulton Road, Stevenage, Herts SG1 4QG England

EU Declaration of Conformity

This declaration is issued under the sole responsibility of NASA Marine Ltd. This product is in conformity with the relevant Union harmonisation Legislation. Harmonised standards applied: EU directive 2014/30/EU EN60945:2002

The original Declaration of Conformity certificate can be requested at info@nasamarine.com

THIS PRODUCT IS INTENDED FOR USE ONLY ON NON SOLAS VESSELS

