

## HV-100 Trolling motor mount installation instructions

### Applicable products

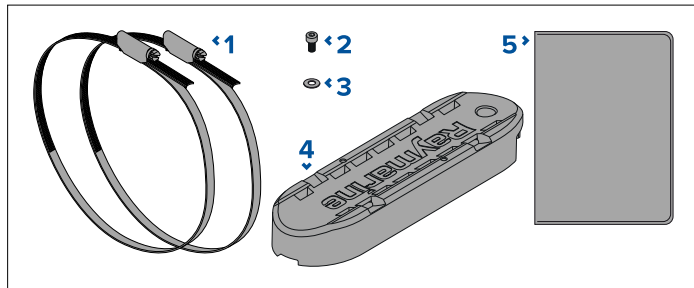
This document applies to the products listed below.

The HV-100 trolling motor mount (A80557) allows the HV-100 — HyperVision™ plastic transom mount transducer (A80603) to be mounted to a trolling motor.

### Parts supplied

The parts supplied with your product are shown below.

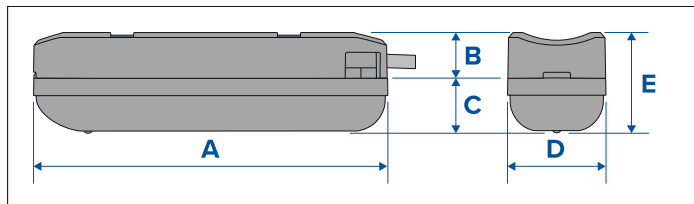
Unpack your product carefully to prevent damage or loss of parts. Check the box contents against the list below. Retain the documentation for future reference.



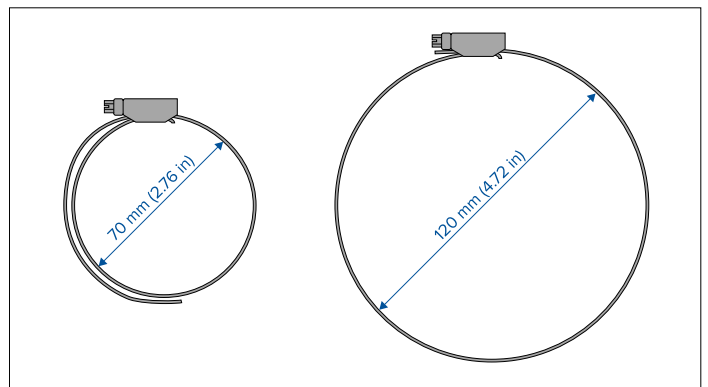
1. 2 x 70 mm (2.76 in) to 120 mm (4.72 in) Jubilee clamps.
2. M5 x 10 Hex bolt.
3. M5 plain washer.
4. Trolling motor mount.
5. Documentation.

### Product dimensions

The dimensions of the trolling motor mount (including the HV-100 transducer) are shown below.



A	204.6 mm (8.06 in)
B	26.5 mm (1.04 in)
C	31.5 mm (1.24 in)
D	57.00 mm (2.24 in)
E	58.00 mm (2.28 in) (B + C)



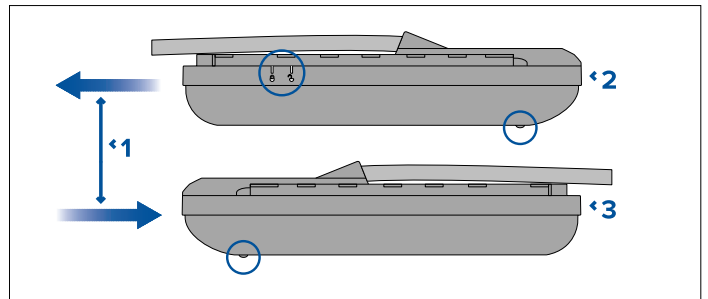
The supplied jubilee clamps can be used on trolling motors with a diameter between 70 mm (2.76 in) and 120 mm (4.72 in).

If the diameter of your trolling motor is larger or smaller, obtain jubilee clamps of an appropriate length which are not more than 10 mm (0.39 in) wide and 15 mm (0.59 in) thick.

### Product orientation

Product orientation is shown below.

The temperature sensor is located to the rear of the transducer.

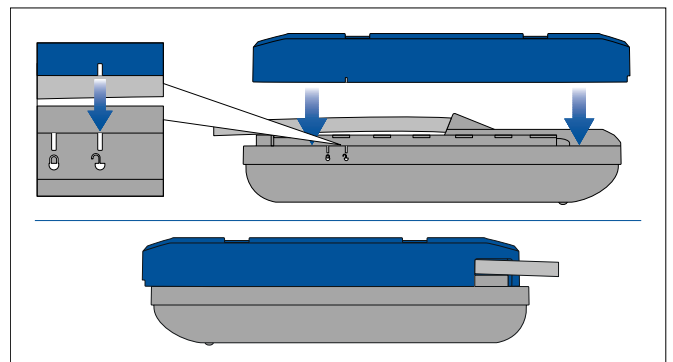


1. Direction of travel.
2. **View of port side** — When looking at the port side of the transducer, the temperature sensor can be found on the right and the unlock / locked notches are on the left.
3. **View of starboard side** — When looking at the starboard side of the transducer, the temperature sensor is located on the left. There are no unlock / locked notches on the starboard side of the transducer.

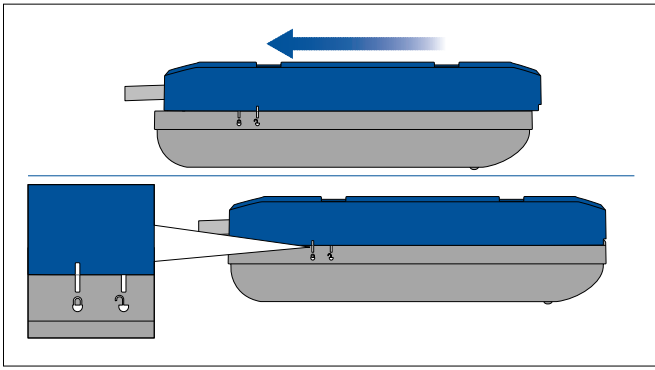
### Assembling the transducer

Follow the steps below to assemble the HV-100 transducer and trolling motor mount.

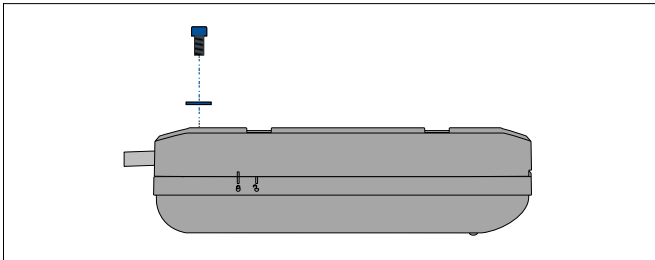
1. Place the trolling motor mount over the HV-100 transducer, ensuring that the notch on the side of the mount aligns with the unlock notch on the side of the transducer. Ensure that the transducer cable is positioned so that it can exit the mount through the cable exit notch.



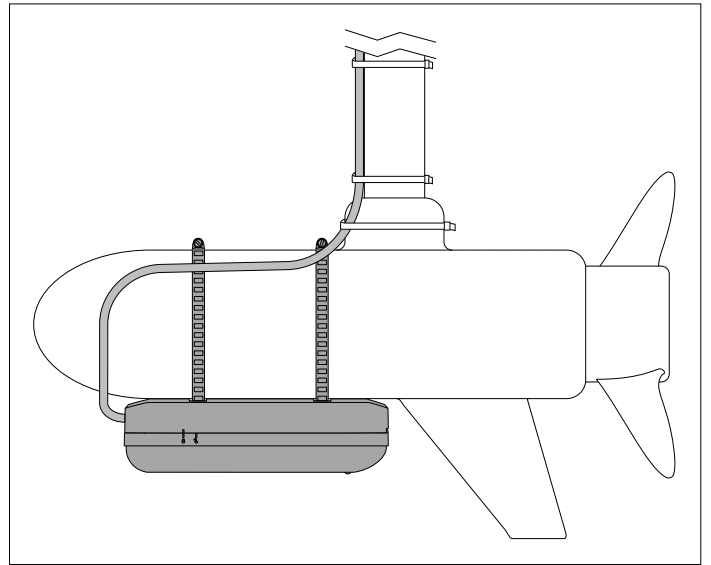
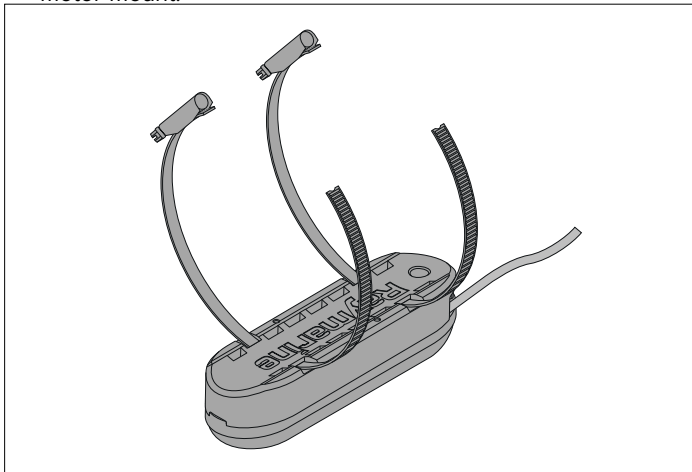
2. Slide the trolling motor mount towards the front of the transducer (the opposite end to the temperature sensor), until it clicks into place.



- Using the M5 hex bolt and plain washer, secure the trolling motor mount to the transducer.



- Unscrew both jubilee clamps so that the ends are free from the clamps.
- Feed the ends through the grooves in the top of the trolling motor mount.



- Position the assembly under the trolling motor, ensuring that the temperature sensor end of the transducer points towards the rear of the trolling motor.
- Fit the supplied jubilee clamps around the trolling motor.
- Position the transducer on the underside of the trolling motor, so that it will be horizontal when the trolling motor is in use.
- Tighten the clamps until the transducer position is fixed and secure.
- Use cable ties (not supplied) to secure the transducer cable to the trolling motor, ensuring that there is sufficient slack remaining in the cable to allow the trolling motor to turn.

**Overtightening the straps may cause damage to the mount and / or trolling motor.**

## Mounting on a trolling motor

### Important:

Ensure that the assembly (trolling motor mount and transducer) fits the underside of your trolling motor with sufficient room so that the trolling motor's propeller does not come into contact with the assembly or transducer cable.

### Important:

Do NOT use the jubilee clamps to secure the transducer cable, as doing so may damage the cable.