



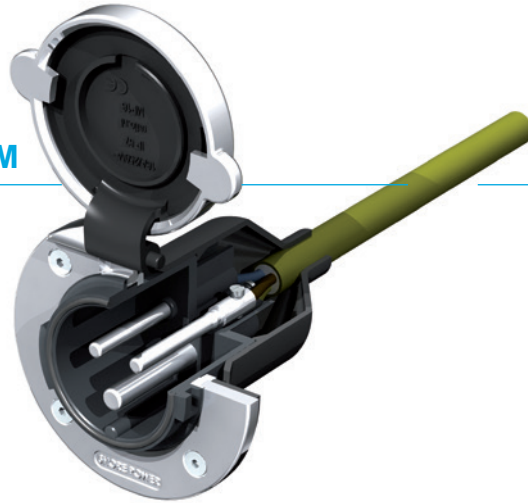
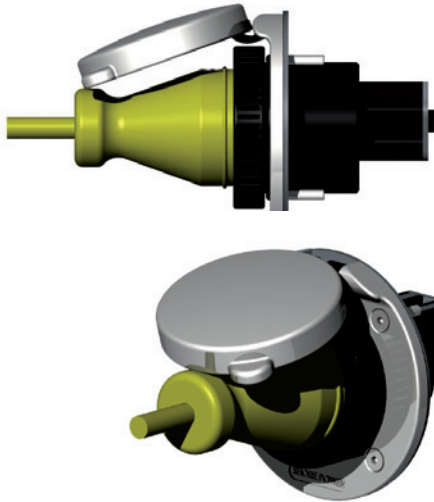
MP Shore Power system

A waterproof, stylish and approved shore power connection system for your boat.



AMBACHTSSTRAAT 12, 3861 RH NIJKERK, THE NETHERLANDS | T +31 33 245 23 60 | E INFO@RATIO.NL | WWW.RATIO.NL

MP SERIES WATERPROOF CONNECTION SYSTEM



Ratio Electric has designed the MP 16 (16A/250V), MP32 (32A/250V) and MP50 (50A/250V) system to offer a waterproof, stylish and approved shore power connection system for your boat.

The system is based on the world standard for outdoor connections (the IEC 60309) and features a boat inlet and a mating connector (moulded or assembled).

STAINLESS STEEL INLET



The MP16, MP32 and MP50 inlets are made from solid cast marine grade 316 stainless steel and include an easy locking waterproof cap.

The requirements for installation of electrical systems on craft of hull length up to 24m are specified in the ISO13297 standard. MP16, MP32 and MP50 inlet will not accept standard CEE couplers.

CABLE CONNECTORS



The MP16 and MP32 cable connectors are available in a moulded watertight version as well as an assembly (rewireable) type. The MP50 cable connector is only available in an assembly version. All types include a weatherproof sealing cap to ensure CE compliance.

Moulded connector

- LED power indication
- Watertight moulded construction
- 16A and 32A version

Assembly connector

- Weatherproof marine construction
- Easy assembly
- 16A, 32A and 50A version

