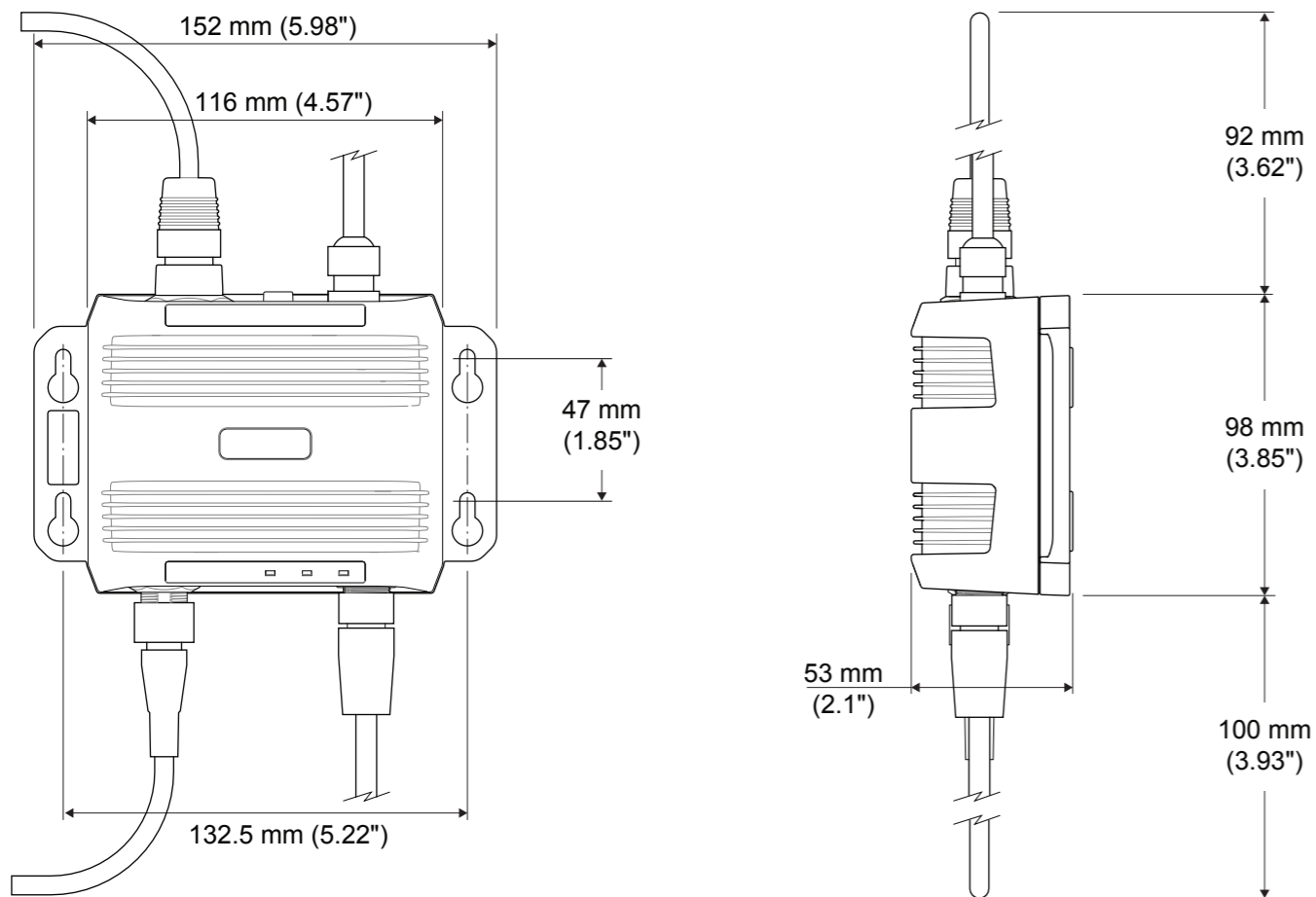


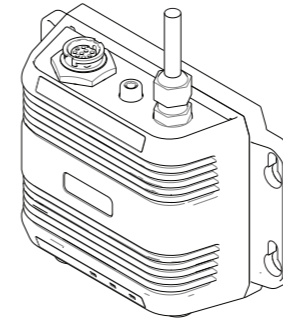
Dimensions



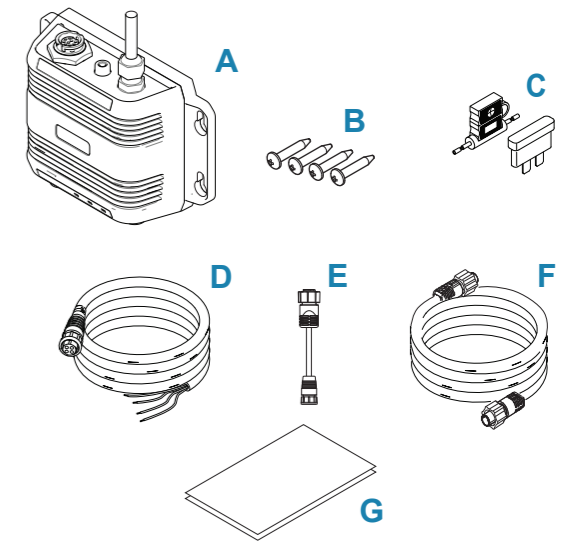
LOWRANCE

SIMRAD

PSI-1 Installation Guide



Parts included



- A. PSI-1
- B. Self-tapping screws, #10 x 3/4 (4x)
- C. Fuse (3 A) and fuse holder
- D. Power cable, 2 m (6.6 ft)
- E. 9 to 7 pin adapter cable 0.6 m (2 ft).
- F. Ethernet cable, 1.8 m (6 ft)
- G. Documentation

Technical specifications

→ **Note:** The most up-to-date specifications are available at the product web site.

Environmental	
Operating temperature	-15°C to +55°C (5°F to 131°F)
IP class	IP67
Electrical	
Power supply	12/24 V DC
Operating voltage	10.8 V DC - 31.2 V DC
Current drain	Transducer dependent. Max current drain with transducer connected: 1.5A at 13.8 V
Reverse polarity protection	Yes
Fuse rating	3 A
Physical	
Weight	0,45 kg (1 lbs.)
Compatible transducers *	
	LiveSight

→ **Note:** The most up-to-date list of compatible transducers is available at the product web site.

Compliance statements

Europe

Navico declares under our sole responsibility that the product conforms with the requirements of:

- CE under EMC Directive 2014/30/EU

United states of America

→ **Note:** The user is cautioned that any changes or modifications not expressly approved by the party responsible for compliance could void the user's authority to operate the equipments.

Australia and New Zealand

Navico declares under our sole responsibility that the product conforms with the requirements of:

- Level 2 devices of the Radiocommunications (Electromagnetic Compatibility) standard 2017

Declarations

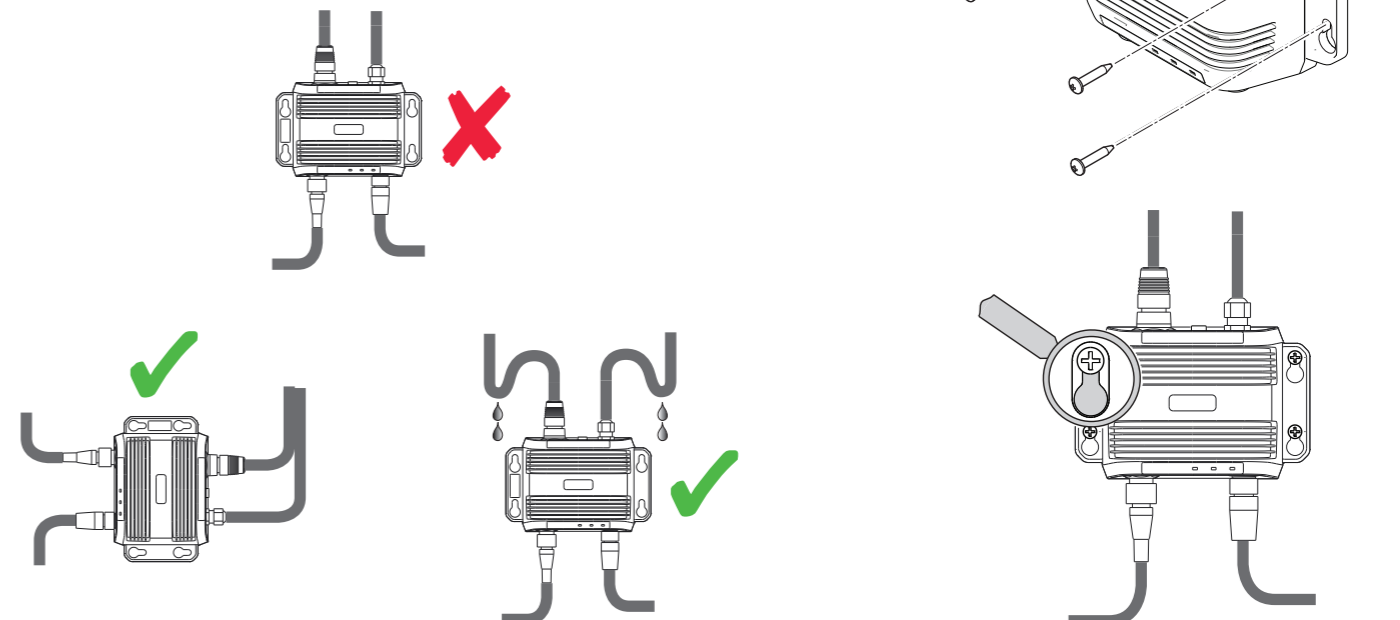
The relevant declarations of conformity are available at:

- www.lowrance.com
- www.simrad-yachting.com

Mounting

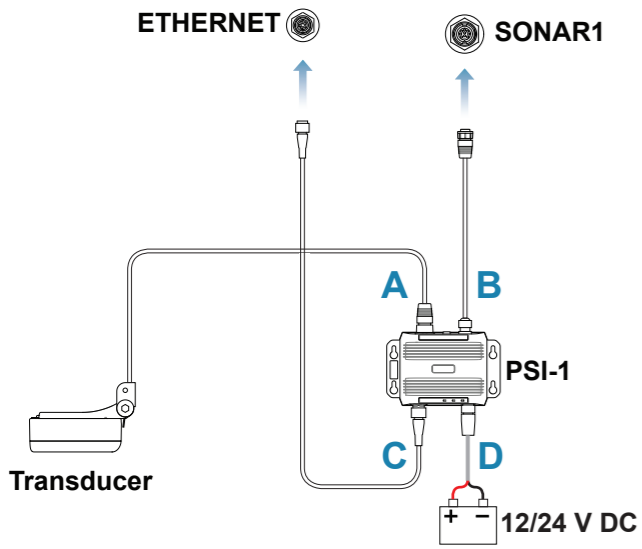
⚠ Recommended pilot holes for self-tapping screws:

Material	#10 screw
Soft materials e.g. plywood	Ø 3.7-4.0 mm (5/32")
Hard materials e.g. fiberglass, acrylic, hardwoods	Ø 4.1-4.7 mm (3/16")
Aluminum	Ø 4.2-4.5 mm (0.173")

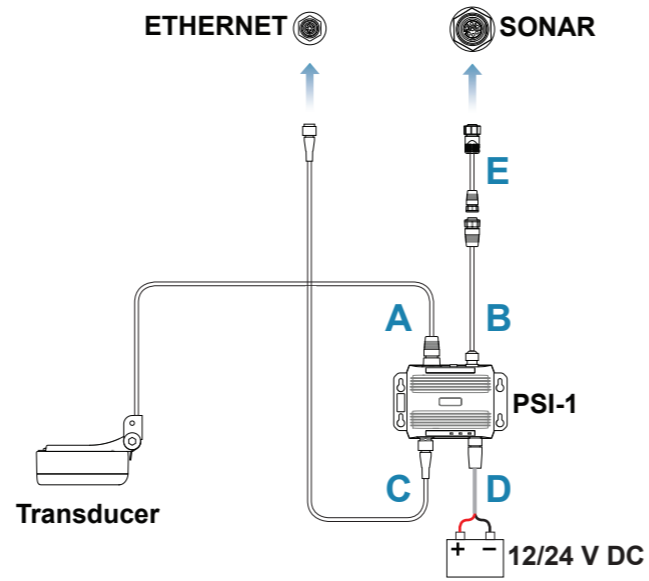


Wiring

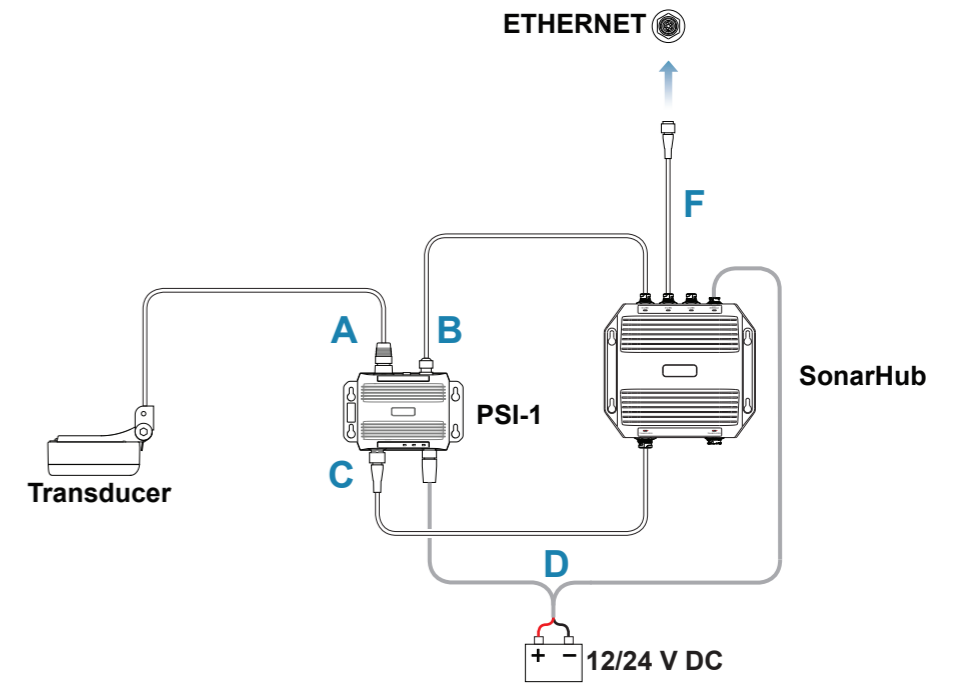
Units with 9 pin sonar connector



Units with 7 pin sonar connector



Units without sonar connector



A. Transducer cable. 7.6 m (25 ft)

B. PSI-1 to MFD/SonarHub cable. 1.7 m (5.6 ft)

C. Ethernet cable. 1.8 m (6 ft)

D. Power cable. 2 m (6.6 ft)

E. 9 to 7 pin adapter cable. 0.6 m (2 ft)

F. Ethernet cable. *

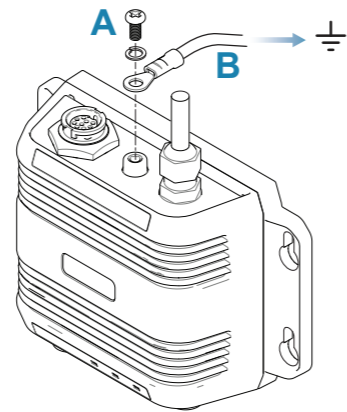
* Not included with PSI-1

Grounding

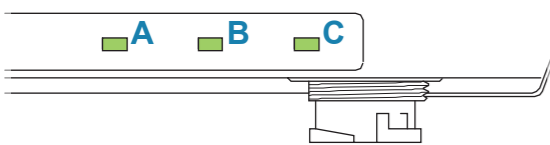
It is recommended to ground the unit.

A. Phillips M4-0.7 x 6 mm, stainless steel

B. 1.3 mm (16 AWG) wire



LED indicators



A. Transducer (XDCR)

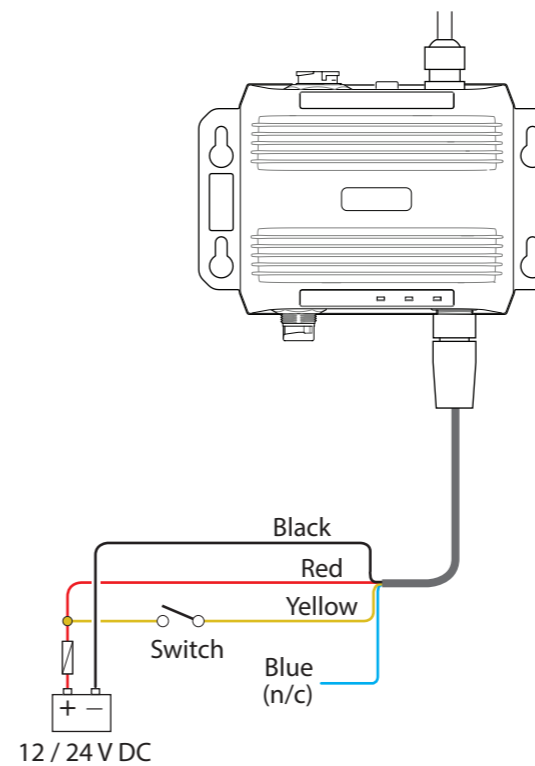
B. Status

C. Power (PWR)

LED STATUS			Description
A	B	C	
Off	Off	Red	Power connector inserted, but no power on yellow wire
Red	Red/ Green	Green	<ul style="list-style-type: none"> No transducer connected Wrong transducer type connected
Red/ Green	Red	Green	<ul style="list-style-type: none"> Input voltage too low Error on output voltage to transducer
Green	Green	Green	OK

Power connection

Power controlled by external switch



Power controlled by Multi-Function Display

