

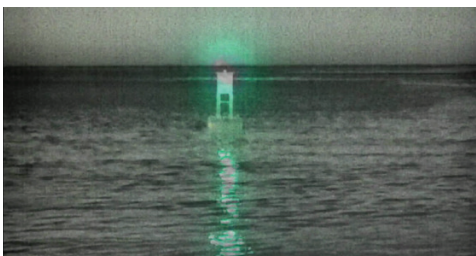


PREMIUM MULTISPECTRAL MARINE CAMERAS WITH ACTIVE GYRO-STABILIZATION

FLIR M364C M364C LR

Featuring a high definition low light camera and one of the most advanced FLIR thermal imaging cores, the M364C and M364C LR provide an elite level of awareness on the water. Both cameras use multispectral imaging to deliver exclusive FLIR Color Thermal Vision™ (CTV) technology when used with Raymarine Axiom™ MFDs. Color Thermal Vision blends visible camera details with a thermal image, overlaying vital color imagery that allows captains to positively identify navigation aids and other vessels within the thermal scene. Outstanding imaging performance and enhanced gyro-stabilization make the M364C and M364C LR indispensable tools for law enforcement professionals, commercial mariners, and serious recreational boaters.

www.flir.com/m300-series



ELITE AWARENESS WITH MULTISPECTRAL IMAGING

Thermal and visible imaging featuring FLIR Color Thermal Vision and MSX®

- FLIR Boson 640 × 512 thermal sensor
- Thermal imaging detects objects in complete darkness, glare, and light fog
- Integrate the M364C with Raymarine Axiom and take advantage of FLIR Color Thermal Vision and MSX multispectral imaging.
- Color Thermal Vision blends thermal and the low light visible camera so captains can easily identify color details like navigational lights and navigation aids



HIGH DEFINITION NAVIGATION

Low light HD visible imaging sensor and long-range zoom offer enhanced target identification.

- Better than binoculars, the M364C with 30x optical zoom and image stabilization delivers superior long-range imaging and positive target identification
- Ultra-low light camera technology provides visible imagery in the most challenging lighting conditions
- Overlay AIS targets, chart objects, and waypoints in real time when combined with Raymarine Axiom and award-winning ClearCruise™ augmented reality technology



A STEADY VIEW IN ROUGH SEAS

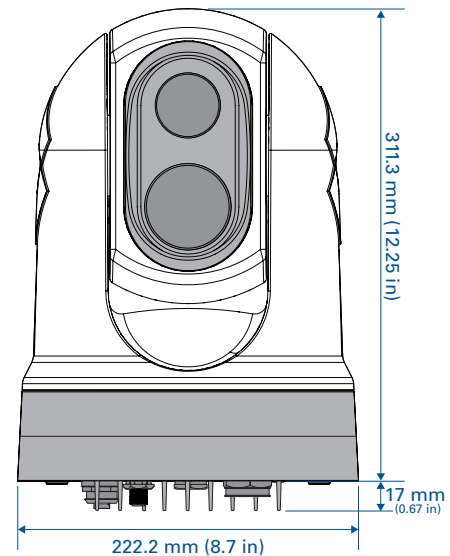
Steady, stable viewing in heavy seas keeps eyes on-target.

- Two-axis mechanical stabilization virtually eliminates the effects of pitch, heave, and yaw
- Horizontal stabilization automatically keeps the camera positioned in the same direction as the vessel turns
- Integrated AHRS (Attitude Heading Reference Sensor)

SPECIFICATIONS

Thermal Camera	M364C	M364C LR
Detector Type	640x512 VOx Microbolometer	
Video Refresh Rate	30 Hz or <9 Hz	
Field of View	24 ° x 18 °	18 ° x 13.5 °
Focal Length	18 mm	25 mm
Focus	Fixed 12 ft (3m) to infinity	
Optical Zoom	N/A	
E-Zoom	4x Continuous	
Image Processing	FLIR Proprietary Digital Detail Enhancement	
Visible Camera		
Detector Type	1/2.8" Exmor R CMOS	
Lines of Resolution	High Definition up to 1080/30p	
Minimum Illumination	0.1 lux (50 IRE, 1/30s, ICR off, slow shutter off, high sensitivity off) / 0.0008 lux (30 IRE, ICR on, slow shutter 1/4s, high sensitivity on)	
Zoom	30x Optical Zoom	
E-Zoom	12x	
Focal Length	129 mm to 4.3 mm	
Field of View	Optical 63.7° x 35.8° WFOV to 2.3° x 1.29° NFOV	
System Specifications		
Gyro Stabilized	Yes	
ClearCruise Augmented Reality	Yes, with Raymarine Axiom	
Pan/Tilt Adjustment Range	360° Continuous Pan, +/- 90° Tilt	
Analog Video Output	NTSC	
Analog Video Connector Types	BNC	
Network Video Output	Dual H.264 IP Network Video Streams	
HD-SDI Lossless Video Output	Yes	
Power Requirements	12 to 24 VDC	
Power Consumption	41 W typical, 56 W typical (with heaters on.) Note: FLIR recommends using a 75 W power supply	

Environmental	M364C	M364C LR
Operating Temperature Range	-13°F to +131°F (-25°C to +55°C)	
Storage Temperature Range	-30°F to +158°F (-30°C to +70°C)	
Automatic Window Defrost	Standard at Power-Up	
Sand/Dust Ingress	Mil-Std-810E or IP6X	
Water Ingress	IPX6 (heavy seas, power jets of water)	
Shock	15g vertical, 9g horizontal	
Vibration	IEC60945	
Lightning Protection	Standard	
Salt Mist	IEC60945	
Wind	100 knots (115.2 MPH)	
EMI	IEC60945	
Physical		
Weight	6.3 kg (13.9 lb) without mounting riser; 6.75 kg (14.9 lb) with mounting riser.	
Size	Camera: Base diameter: 222.2 mm (8.7 in.) Height: 328.3 mm (12.9 in.) Camera attached to mounting riser: Base diameter (with seal): 254.0 mm (10.0 in.) Height: 365.5 mm (14.4 in.)	
Range Performance		
Person in the Water	2,700ft (823m)	4,900ft (1,494m)
Small Vessel	1.2nm (2.2km)	2.1nm (3.9km)



Specifications are subject to change without notice. For the most up-to-date specs, go to www.flir.com

CORPORATE HEADQUARTERS

FLIR Systems, Inc.
27700 SW Parkway Ave.
Wilsonville, OR 97070
USA
PH: +1 866.477.3687

NASHUA

FLIR Maritime US, Inc.
9 Townsend West
Nashua, NH 03063
USA
PH: +1 603.324.7900

BELGIUM

FLIR Systems BVBA
Luxemburgstraat 2, 2321
MEER
BELGIUM
PH: +32 (0)3 287 87 10

www.flir.com
NASDAQ: FLIR

Equipment described herein is subject to US export regulations and may require a license prior to export. Diversion contrary to US law is prohibited. Imagery for illustration purposes only. Specifications are subject to change without notice. ©2019 FLIR Systems, Inc. All rights reserved. 09/20/19

19-1707-MAR



The World's Sixth Sense®