

# Owner's Manual

Watertight Stereo Receiver Built For The Outdoors

With Built In Bluetooth Audio Streaming, DAB/FM, USB Input, Auxiliary Input, Wired remote control, And RCA Out.



## Features

Radio	DAB Digital Radio FM Radio Reception
Input	Bluetooth Audio Streaming USB Stick
	Auxiliary RCA Male DIN Antenna Wired Remote 3.5mm Jack
Output	4 x 25Watt Speaker Output RMS 2 pair RCA Pre Amp Out
Features	IP66 Waterproof Faceplate Audio Level Adjustment 24 Hour Clock Wired Remote Ready (Sold Separately)
Dimensions(w/h/d)mm	113 x 87.9 x 63

## Control Panel

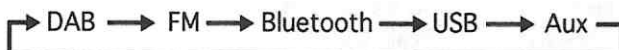
- 1 ENT BUTTON**  
When in DAB mode a short press will enter a specific settings menu  
When in FM mode a short press will enter a specific settings menu
- 2 POWER BUTTON**  
Press to turn on the unit  
When on a short press will mute the unit  
When on a long press (over 2 seconds) will turn the unit off

1

- 3 APS BUTTON**  
When in DAB or FM mode a short press will autotune  
When in FM mode a long press will start the Auto Pre-Set Function  
When in USB mode a short press will enter track select mode (the display will flash)  
Scroll through tracks with VOLUME buttons and confirm with a short press of the APS button
- 4 VOLUME - BUTTON**  
Decrease Volume
- 5 MODE BUTTON**  
A short press switches between DAB/FM, Bluetooth, USB & Aux Note - USB will not show up if no drive is inserted  
A long press will enter the audio settings menu
- 6 VOLUME + BUTTON**  
Increase Volume
- 7 PREVIOUS BUTTON**  
Previous Track  
Previous Station  
Back
- 8 PLAY/PAUSE BUTTON**  
When in USB or Bluetooth mode a short press will play/pause the current track
- 9 NEXT BUTTON**  
Next Track  
Next Station  
Forward

## Operation

A short press of the MODE button will switch between the various unit modes as below (USB will not show up if no drive is inserted).



## DAB Radio

A short press of the APS button will perform a full scan of available DAB stations.

Following a full scan the stations can be navigated using the NEXT and PERVIOUS buttons.

When the desired station is displayed it can be confirmed with long press of the NET button.

DAB mode has its own specific settings menu that can be entered via a short press of the ENT button.

The menu can be navigated using the NEXT and PERVIOUS buttons and a selection confirmed with a long press of the ENT button.

The menu can be exited with a short press of the ENT button.  
The menu options are outlined below

- ~ Manual Tune - Select a specific frequency to tune to
- ~ DRC - The Dynamic Range Frequency sets the range of volume that the radio plays. Setting to high increases this range
- ~ Station Order - Stations can be ordered either alphanumerically or by ensemble
- ~ Prune - Remove stations with weak signal
- ~ System - Enter the system menu

## FM Radio

A short press of the APS button will perform a full scan of current stations.

A long press of the APS button will enter in Auto-Set mode. APS mode stores 18 stations with strongest reception.

Following a full or APS scan the stations can be navigated using a short press of the NEXT and PERVIOUS buttons.

To manually select a frequency long press either the NEXT or PERVIOUS button.

Frequency can now be navigated by a short press of the NEXT and PERVIOUS button.

FM mode has its own specific settings menu that can be entered via a short press of the ENT button.

The menu can be navigated using the NEXT and PERVIOUS buttons and a selection confirmed with a long press of the button.

The menu can be exited with a short press of the ENT button.

2

3

The menu options are outlined below

Scan Setting - Scan for only stations with strong signal or all

Audio Setting - Play in either mono or stereo format

System - Enter the system menu

#### USB

The USB port of the H832D is for USB sticks only. Other media devices can be played via the auxiliary input.

Insert a stick into the USB slot contacting either Mp3 or WMA files.

When in USB mode the PLAY/PAUSE button will play or pause playback.

A short press of the NEXT or PERVIOUS button will skip tracks.

A long press of the NEXT or PERVIOUS buttons will fast forward/rewind the current track.

During playback the screen will display the track data.

To select a specific track long press the APS button (the display will flash).

Scroll through tracks with VOLUME buttons and confirm with a short press of the APS button.

#### Bluetooth

To pair with H832D turn on the Bluetooth option of your device.

When in Bluetooth mode long press the APS button until the unit displays Bluetooth discoverable .

Select Auto sound from the list of available devices.

Once paired the PLAY/PAUSE button will play or pause playback.

A short press of the NEXT or PERVIOUS buttons will skip tracks.

A long press of the NEXT or PERVIOUS buttons will fast forward/rewind the current track.

#### Auxiliary Input

The Auxiliary input allows playback of other media devices.

The RCA outputs of the device can be connected directly to the auxiliary input plugs of the H832D.

Alternatively the RCA inputs can be adapted to a 3.5mm jack port via an adapter cable (sold separately).

#### System Settings Menu

The system settings menu can be accessed via the DAB or FM specific menus

The menu options are outlined below

Factory Reset - Reset the unit back to factory settings

#### Audio Settings Menu

The audio settings menu allows you to change the bass, treble, balance and fade levels.

Enter the menu with a long press of the MODE button.

The level of each setting can be adjusted using the VOLUME - and VOLUME + buttons.

Short press the MODE button to move to the next setting in turn then back to normal screen.

#### View & Adjust The Clock

A long press of the PLAY/PAUSE button displays the clock.

A long press of PLAY/PAUSE button will enter the time adjust setting. The hour digits should flash.

Use the VOLUME + and VOLUME - buttons to adjust the numbers and a short press of the PLAY/PAUSE button to switch between hours and minutes.

A long press of the PLAY/PAUSE button will confirm the new time.

## Installation

### Dimensions

### Installation Procedure

Select a suitable mounting location ensuring enough room and depth for the unit to install correctly.

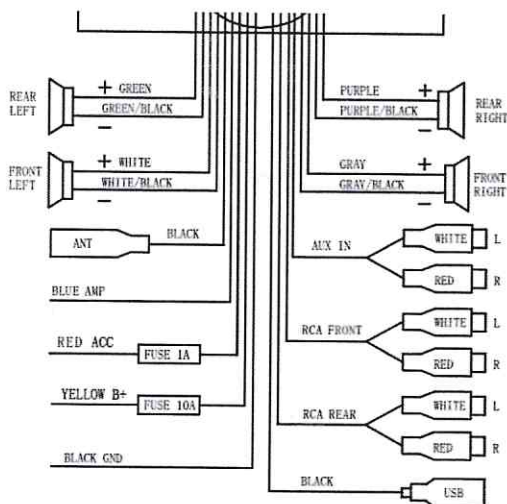
Drill the correct size hole for the rear of the unit to fit through.

The unit can be secured in this way

There are 2 mounting holes located behind the chrome bezel. Position the H832D in the required location and secure with the screws provided.

4 5

## Wiring



Connections to the various speaker and power wires should be soldered or crimped. They should be shrink wrapped to ensure protection from water damage.

The DAB/FM antenna connected to the H832D requires a male DIN antenna plug.

The USB connection is for USB sticks only. Connection to media devices should be done via Bluetooth or the auxiliary input.

The 3.5mm jack remote connection allows for the addition of a wired remote (sold separately).

The auxiliary input allows for the connection of 2 pair of RCAs to the H832D. An adapter (sold separately) can be used to allow for devices with a 3.5mm jack plug to be used instead.

The H832D produces 25W of power through each of its 4 channels.

The RCA output from this unit can connect to input section of an additional amplifier if desired.