

Bench "First Class"

SKAI FEATURES AND CONSTRUCTION:

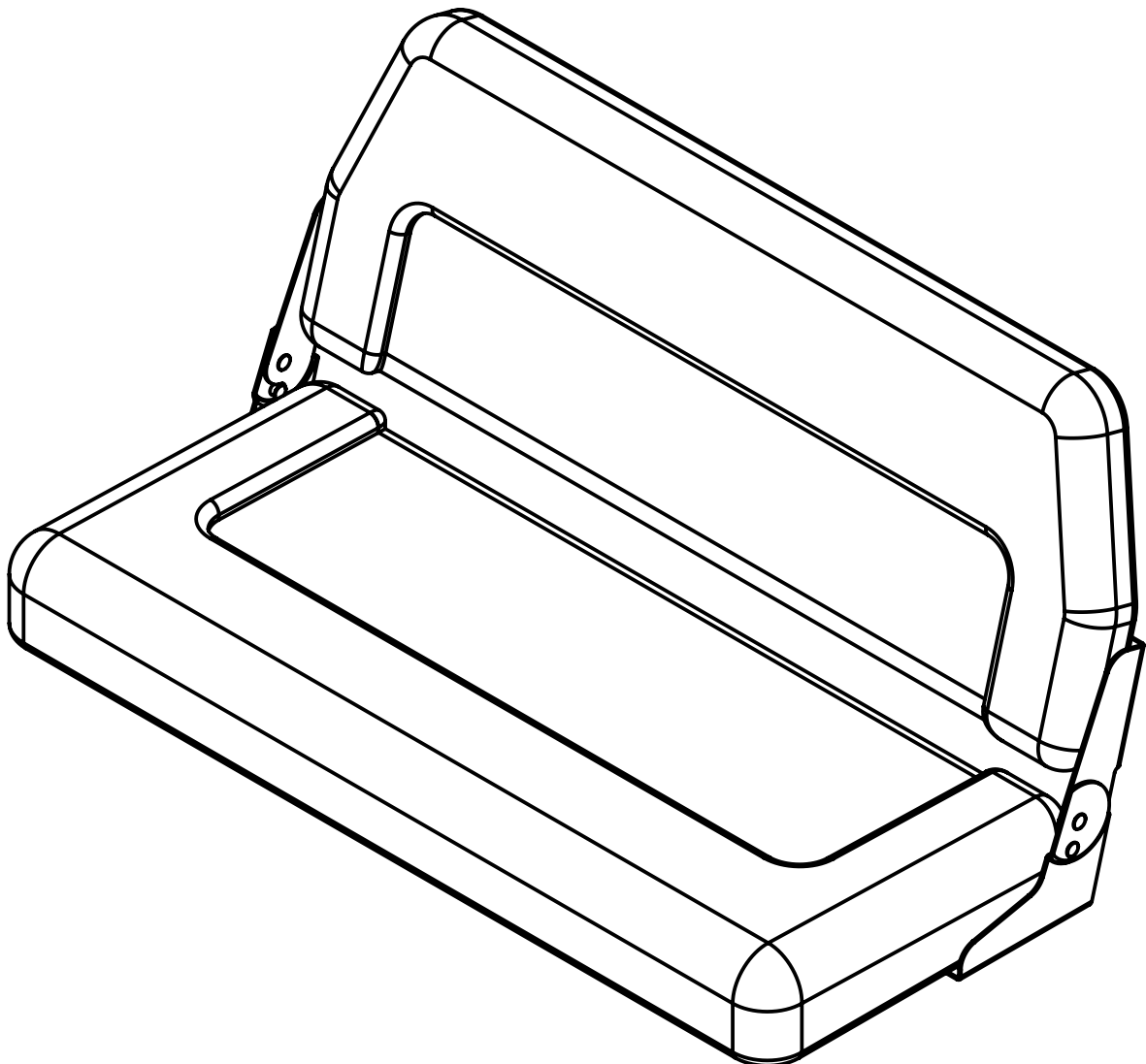
- MARINE GRADE SKAI IMITATION LEATHER, SINGLE JERSEY COVERED WITH PVC;
- WATER RESISTANT;
- UV RESISTANT;
- AISI-304 STAPLES.

FOLDING BACK REST:

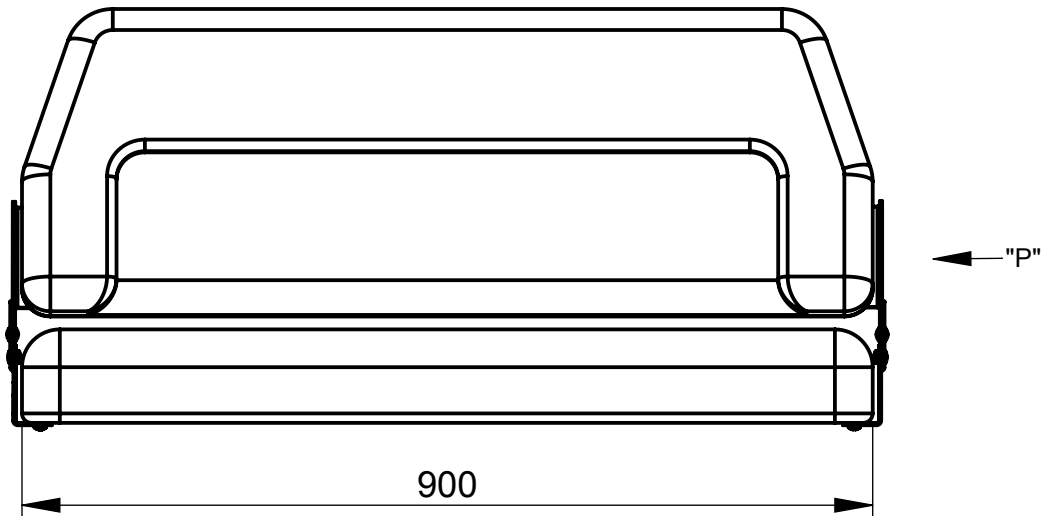
- ANODISED ALUMINIUM FOLDABLE HINGES.

GENERAL INFORMATION:

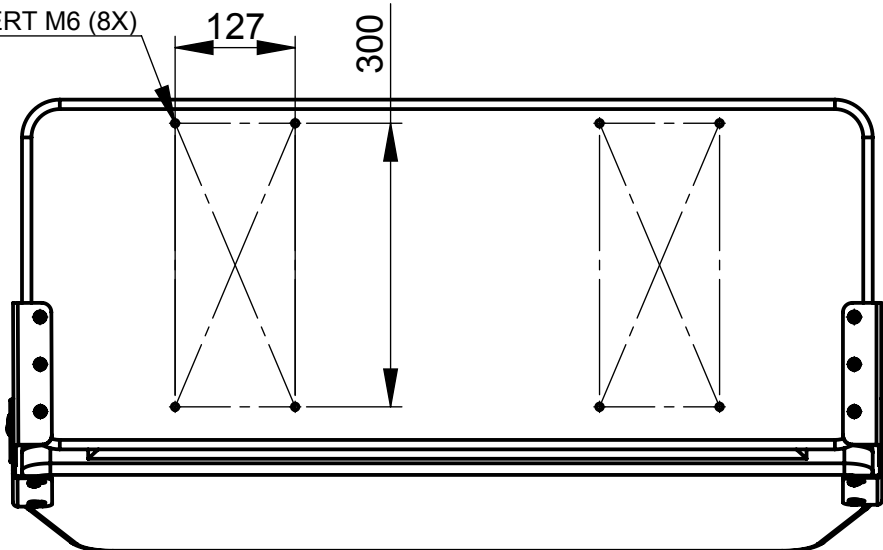
- AVAILABLE IN:
 - WHITE (DCHFSW);
 - DARK BLUE (DCHFSB);
- HOLE PATTERN 2XR, THREADED INSERTS M6;
- AISI-304 FASTENERS; BOLT M6 (8X).



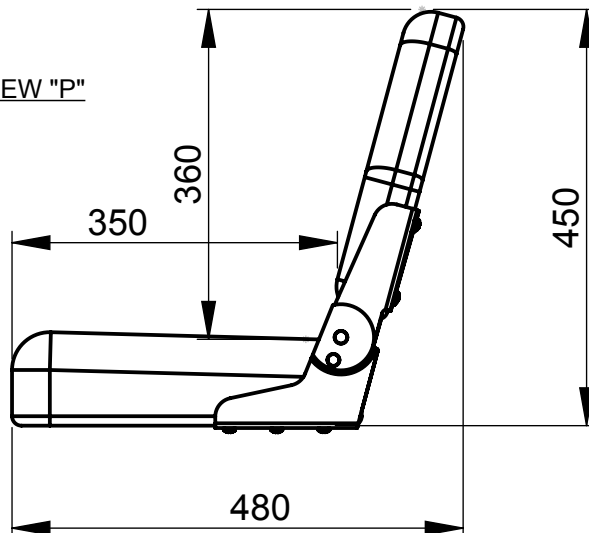
Bench "First Class"



THREADED INSERT M6 (8X)



VIEW "P"



- DIMENSIONS MAY VARY DUE TO FLEXIBLE MATERIAL