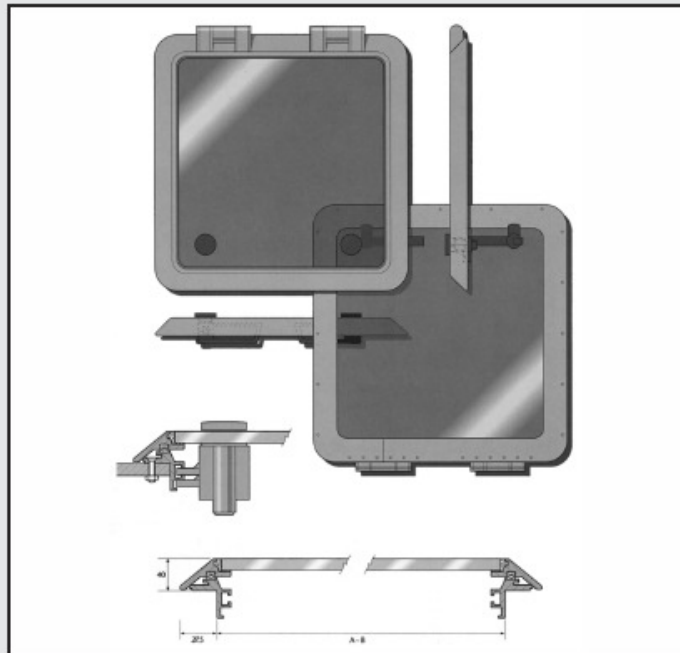


ENGLISH

# Gebo deckhatch & Flushline hatch



## General description

The Gebo deckhatch and Flushline hatch are suitable as ventilation hatches. In the event of an accident or fire, the bigger sizes can be used as an escape hatch. All deckhatches have been designed for use on power and sailing yachts and can be used in the toughest conditions. The Flushline hatch is especially designed for use on powerboats.

The GEBO deckhatch is Lloyds approved. All parts are made from high corrosion resistant materials. When sailing on open waters all hatches should be closed and secured.

## Fitting & operating instructions



### Fitting instructions

The hatch has to be installed on a flat surface with a maximum tolerance of 1 mm. The deck must be sufficiently strong at the installation point, if it is not, reinforcement must be made.

**1** Cut the hole in the deck according to the aperture size of the hatch.

**2** Make sure that the surface is completely flat and then place the hatch over the hole. If the hatch does not fit exactly or the surface is not flat adjust the hole. If the lower frame is screwed down onto a curved surface the sealing rubber between upper and lower frames may not create a watertight seal and the hatch will leak.

**3** Place the hatch in the hole and drill the fixing holes (drill diameter depending on fixing screws).

**4** Clean and degrease the mounting surface on the deck and the lowerframe for the sealant (please note the specifications of the sealant used).

**5** Apply the sealant to the underside of the lowerframe. Use a sealant, based on butylrubber (**not** silicone or polyurethane, as this may cause damage if the hatch is removed in the future).

**6** Place the hatch over the hole and screw the frame to the deck using the correct torque (depending on fixing screws).

(If necessary) adjust the friction-hinges. After opening and closing the Gebo hatch several hundred times, it may be necessary to adjust the friction-hinges. Proceed as follows:

**7** Open the hatch to approx. 90°.

**8** Remove the black end caps using a small screwdriver. A small insert can be found in the end caps.

**9** Adjust the friction by using the supplied box-spanner. Tighten the selflocking nut on both sides of the hinge turning clockwise. It is advisable to adjust all hinges fitted to the hatch.

**10** After installation, remove the protective film from the acrylic.

N.B. Use only stainless steel fixing materials.

### Technical data

Frame materials: AlMg Si 0.5

Glazing: 666 acrylic (PMMA)

Surface treatment: anodised or RAL powder coated.

Allowable weight: Used as walking surface (5,7N/cm<sup>2</sup>)

Allowable temperature: -25° till +60° Celsius

### Operating of the hatch

After pushing the blue slide in the handle outwards, the hatch can be opened by turning the handles. The hatch can now also be opened from the outside (not the Flushline hatch, external handle is an option).

By pushing the blue slide in the handle inwards, the hatch is locked and burglar proof.

(As an option, a stay is available for the Flushline hatch as extra security against the lid closing).

### Maintenance

The friction-hinge will keep the lid open in any position, thereby minimising the risk of unwanted closing. For your safety is important that the hinges are correctly adjusted (see fitting instruction 7-9).

After long usage of the handle a spot of water may drip from the handle.

If this occurs remove the blue slide (by means of a paperclip or small screwdriver) and tighten the self-tapping screw in the handle, then refit the blue slide by pushing it into the handle.

The durability of anodised or powder coated aluminium has been proven over many years. Although aluminium is relatively maintenance free it is necessary to regularly clean the hatches. It is advisable to wash the hatches with lukewarm water. The addition of a little soap solution will

assist the washing process, then wash with clean water.

### Never use:

- Alkaline products containing sodium solutions.
- Acid products like muriatic or those containing phosphor
- Steel wool, abrasives or sandpaper
- Cleaning-products for glass can also contain alkaline, which may corrode aluminium.

### Application areas

The Gebo deckhatch and Flushline hatch are suitable for:

- Fitting in Area II (on deck and transom)
- Usage for shiptype with design-category A (ocean-worthy)

Both type of hatches meet the ISO 12216 requirements.

### Ordering information

Article	Delivery number
Handle with lock right 10 mm acrylic	089650100
Handle with lock left 10 mm acrylic	089650200
Handle with lock right 15 mm acrylic	089650300
Handle with lock left 15 mm acrylic	089650400
Sealing runner R162 for deckhatch	089601620
Sealing rubber R113 for flushline hatch	089600113
Hinge side cap L+R for 10 mm acrylic	089650770
Hinge side cap L-R for 15 mm acrylic	089650780
Blue slide	089651320
Repair kit for 10 mm hinge	089699100
Repair kit for 15 mm hinge	089699150

Screens available on request.

1997/6/002

**EC-declaration of agreement regarding European Directive Pleasurecraft.**

(Directive 94/25/EG, dated 16 june 1994)

Manufacturer: Boomsma produktie B.V.  
Address: De Steiger 74  
1351 AE Almere-Haven  
The Netherlands

Telephone: +31 36 52112 12

Fax: +31 36 521 12 11

Referencenumber EC-Type examination:  
BOA-0001, BOA-0010

Notified body: ECB-0614

Address: Julianaweg 224A  
1131 NW Volendam  
The Netherlands

Telephone: +31 299 32 31 23

We hereby declare that the Gebo deck-hatch and Flushline hatch meet the requirements of the regulations of the directive (Directive 94/25/EG, dated 16 june 1994), with regard to the relevant regulations for Pleasurecraft of ISO norm 12216 under European Directive Pleasurecraft.  
Almere-Haven, 25 april 1996.



B. Snelders

