

Introducing the new ZEUS³S Multi-Function Display

- Latest Quad Core micro processor for uncompromising speed and performance
- Bright, vivid, multi-touch screen, with keypad optimised for sailing
- B&G's renowned sailing features for cruising and racing
- Advanced power, network performance & capabilities for connecting all your systems

DESIGNED FOR SAILING



B&G

Zeus³S Power, Capabilities & Performance



Sailing features for cruising and racing include SailSteer, RacePanel, StartLine, Laylines, SailingTime, Advanced Windplot and Weather routing with PredictWind integration.



Latest Quad Core Micro Processor delivers a smooth and responsive user interface experience, whilst running multiple applications simultaneously.



Connects to H5000, AutoPilot, ForwardScan, NMEA2000 & 0183, plus the latest HALO & Broadband radars, for ultimate target detection, low power, instant on and weather mode.



SolarMax HD IPS ultra-bright touch screen that supports multi gestures with wide viewing angles in bright sunlight.



Full touchscreen (multi-touch) control or use the dedicated keypad in rough conditions.



Direct control of FLIR IP cameras added alongside support for composite video.

PLUS: Full Networking | Audio Control | Full keypad with user configurable WheelKey | Digital Switching support | SiriusXM Weather (USA) | Wi-Fi and Bluetooth



Good - Vulcan

Better - Zeus³S

Best - Zeus³S Glass Helm

B&G

Zeus³S Overview

- 1 9", 12" & 16" Screen size options
- 2 IPx6 and IPx7 Environmental Protection
- 3 **SolarMax IPS HD display**, with multi-touch screen
- 4 **Keypad with rotary dial for full non-touch control and rapid 'Man Overboard' activation**
- 5 **WheelKey, user programmable for favourite actions**
- 6 Dual microSD card for C-MAP[®] or Navionics[®] charts and file storage
- 7 Waterproof audible alarm
- 8 Latest generation Quad Core processor
- 9 Dual-Mode Wi-Fi connectivity, allows connection to phone/tablet and marina Wi-Fi
- 10 10Hz high-precision GPS antenna
- 11 **USB port for input devices and external storage [16 only]**
- 12 **Dual Ethernet for chart-sharing, Radar, SonarHub, FLIR[®] cameras and more [1x Ethernet on 9]**
- 13 **HDMI output [12/16 only]**
- 14 Composite video & NMEA 0183 interface [optional cable]
- 15 NMEA2000[®] interface (Micro-C)
- 16 12/24V DC power input with ignition detect and alarm output
- 17 **Sonar 1: CHIRP**
- 18 Sonar 2: ForwardScan, xSonic and other imaging sonar support

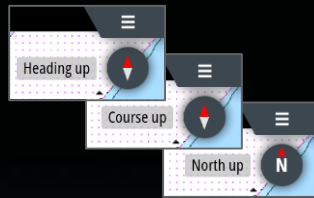
***Bold** Items are Vulcan R Vs Zeus³S differences.*



B&G

What's new

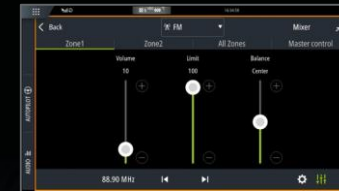
1. **Latest Quad Core micro processor**, The fastest B&G MFD ever, seamless transitions and immediate response on up to six way data panel splits.
2. **FLIR[®] IP camera compatibility**, supports direct view and control of compatible FLIR[®] cameras via Ethernet.
3. **Improved User interface elements:**



Quick orientation control on the chart panels for rapid switching between Course Up, Heading Up and North Up views.



Tidal curve element in the instrument bar provides immediate feedback of tidal state. With click-through to existing full screen interactive tide page.



Audio control bar can extend to full page for better visibility and control.

What's in the Box

- Zeus³S Display Unit
- Bezel trims
- Sun cover
- Power Cable & Fuse kit
- Bracket & thumb screws [note 2]
- Panel mount kit
- Documentation pack

Notes

1. Contents apply to retail SKUs only, not Boat Builder SKUs
2. U-Bracket for 16" units is not included, sold separately



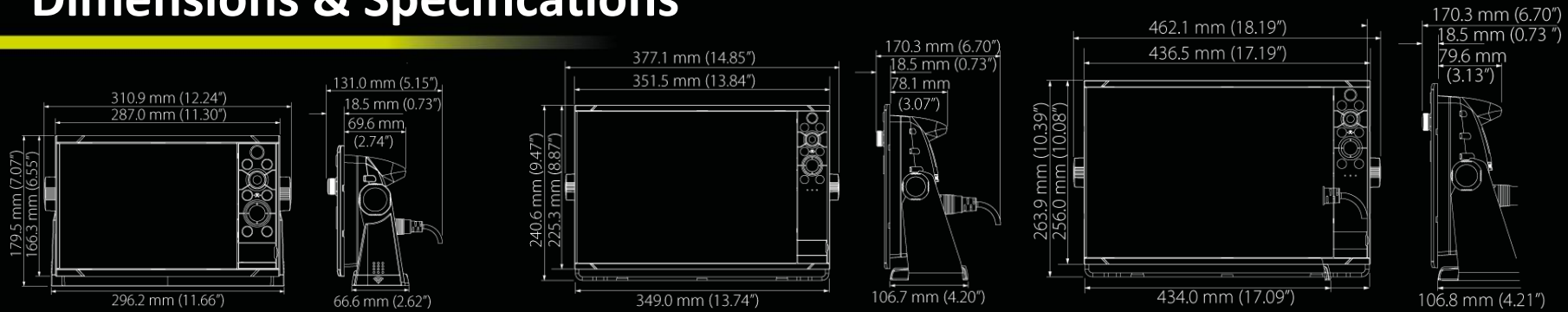
SKUs and Part Numbers

	AMER (C-MAP US carto)	EMEA/APAC (Basemap)	Boat Builder (Basemap)
Zeus ³ S 9	000-15408-001	000-15411-001	000-15558-001
Zeus ³ S 12	000-15409-001	000-15412-001	000-15559-001
Zeus ³ S 16	000-15410-001	000-15413-001	000-15560-001

Optional Accessories

NMEA2000® Cable (0.4m)	000-10396-001
NMEA2000® Cable (2m)	000-14376-001
Zeus Video/NMEA0183 Cable	000-00129-001
Mounting bracket for 16"	000-13760-001
ZG100 GPS antenna & compass	000-11048-001

Dimensions & Specifications



Zeus3S 9

Zeus3S 12

Zeus3S 16

287 x 166 x 90 mm (11.3 x 6.5 x 3.5")

Size if bracket mounted: 311 x 180 x 95 (12.2 x 7.1 x 3.7)

352 x 225 x 98 mm (13.9 x 8.9 x 3.8")

Size if bracket mounted: 377 x 241 x 120 (14.8 x 9.5 x 4.7)

437 x 256 x 98 mm (17.2 x 10.1 x 3.9")

Size if bracket mounted: 462 x 264 x 122 (18.2 x 10.4 x 4.8") [optional]

SPECIFICATIONS

Display	Technology: IPS; Viewing angles: +/- 80° top/bottom, +/- 80° left/right; Resolution: 1280x720 [Zeus3S 9], 1280x800 [Zeus3S 12], 1920x1080 [Zeus3S 16]
GPS / augmentation	High accuracy, 10Hz, 34-channel receiver. GPS, WAAS, MSAS, EGNOS, GLONASS
Sonar compatibility	Port1 (xSonic): single CHIRP, 50/200kHz, HDI. Port2 (xSonic): single CHIRP, 50/200kHz, ActiveImaging™, ForwardScan™
Radar compatibility	Broadband Radar™ (BR24, 3G, 4G), HALO™ dome radars (20, 20+, 24), HALO™ open arrays
Other support (selected items only)	B&G H5000; Naviop Loop; CZone; FLIR®; FusionLink™; GoFree websocket protocol; NMEA 0183 over Wi-Fi; NMEA 2000® (inc. audio); SiriusXM® (via WM-3/WM-4, USA only)
NMEA 0183 connectivity	1 x Transmit; 1 x Receive. Optional cable required (P/N 000-00129-001); Baud Rates 4800, 9600, 19200, 38400 (TX and RX use same baud rate).
NMEA 0183 sentences	Input: GGA, GLL, GSA, GSV, VTG, ZDA, RMC, DBT, DPT, MTW, VLW, VHW, HDG, HDT, HDM, MWV, MWD, DSC, DSE, VDM Output: GGA, GLL, GSA, GSV, VTG, ZDA, RMC, DBT, DPT, MTW, VLW, VHW, HDG, MWV, MWD, TLL, TTM (Note AIS sentences are not bridged to or from NMEA 2000)
Wireless connectivity	Integrated Bluetooth and Wi-Fi 802.11
Waypoints, Routes & Track memory	Typically 6000 waypoints, 500 Routes with 100 max route points, 50 tracks with up to 12,000 track points.
Temperature ranges	Operation: -15°C to +55°C (5°F to 131°F); Storage: -20°C to +60°C (-4°F to 140°F)
Power supply	12/24V DC nominal (10-30V)