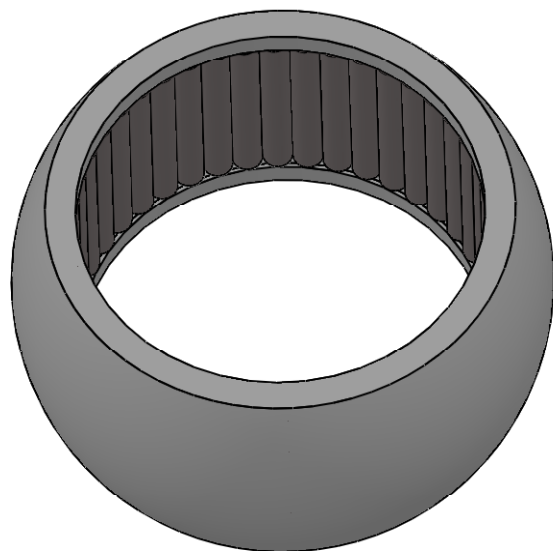
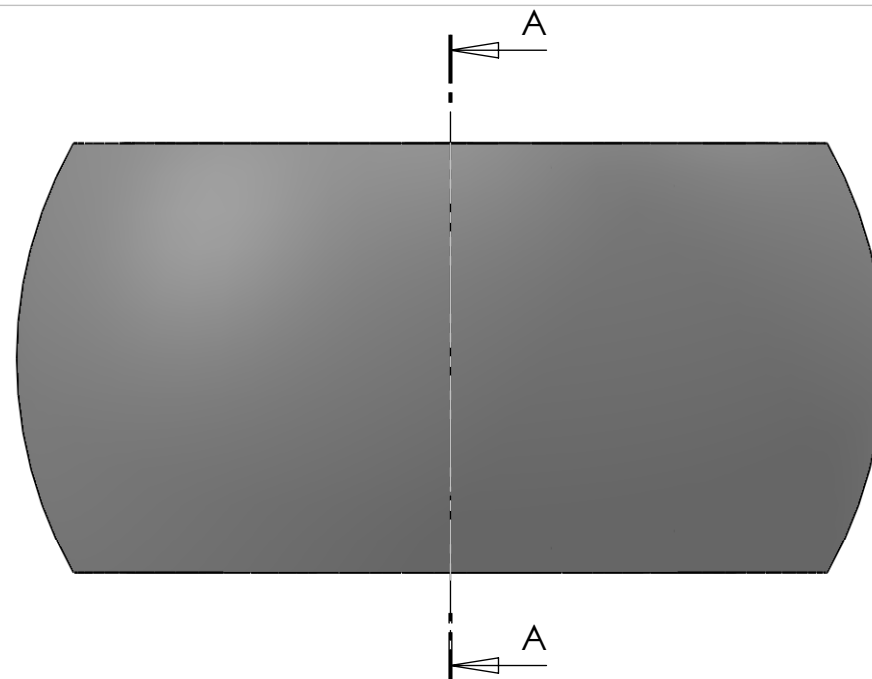


SECTION A-A
SCALE 1 : 1.25



DWG NR / NAME: M13-355-108 / Bearing Ball with Rollers				BATCH NR:	
PROJECT: Shaft 108mm, OD 144mm.				REKV.NR / ORDRE NR:	
DATE: 06-04-2011	NAME: JR	SCALE / PAPER: 1:2 / A4	MATERIAL: PETP	LOCATION:	ORDRE DATO:
MODIFY DATE: : /			WEIGHT: g	REV:	LEV.DATO:

Jefa Rudder
SYSTEMS

JEFA MARINE A/S
NIMBUSVEJ 2
2670 GREVE, DENMARK
Tlf: +45 4615 5210 & Fax: +45 46155208
Email: info@jefa.com www.jefa.com