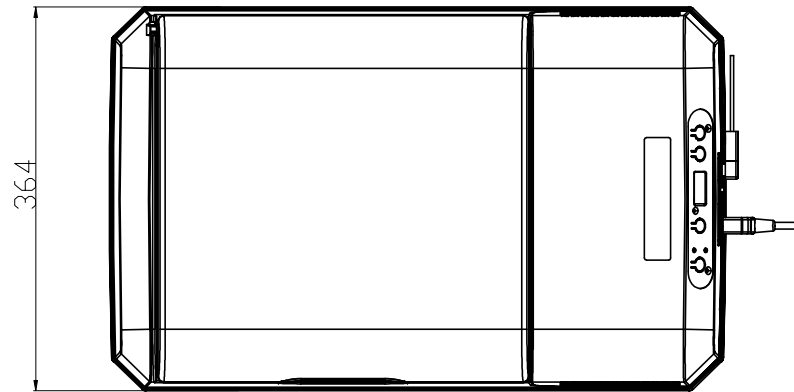
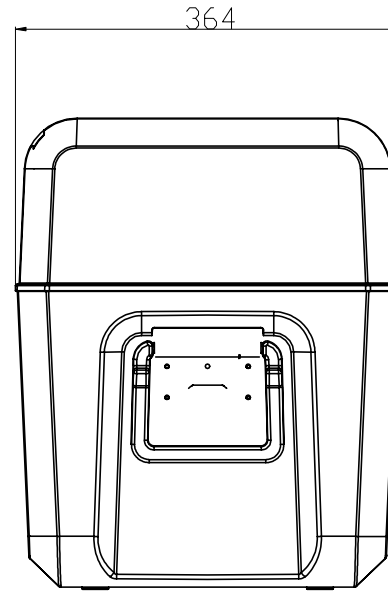
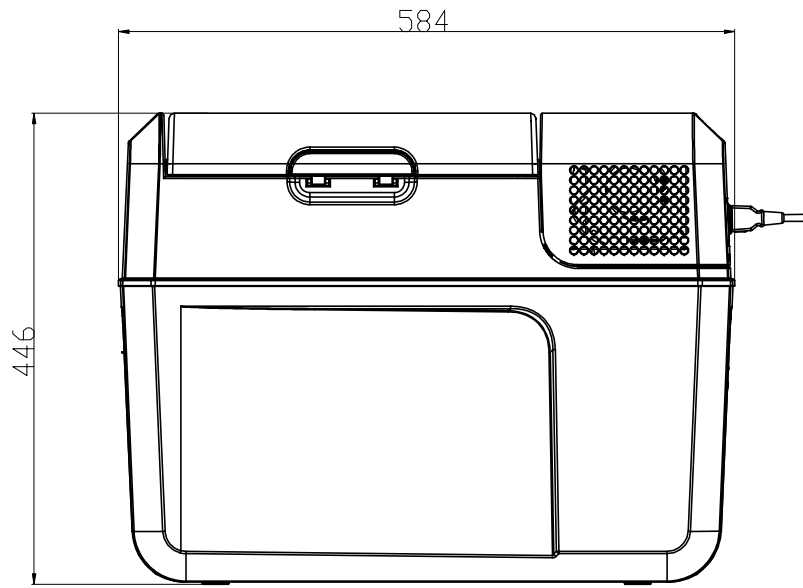


NOTE: THIS DRAWING WAS PRODUCED BY COMPUTER, DO NOT UPDATE MANUALLY.

PICTURE	A4
SCALE	



△5					PART NO.	527
△4					TRIGONOMETRY	☞ ⊕ TITLE FR40
△3					DRN Tianjing	MODEL NO. 527 DWG. NO.527
△2					CHK	SCALE FULL MAT'L
△1					APPV	UNIT MM SHEET 1/1
NOTE	DATE	CONTENT	ECO NO.	NAME	MOBICOOL INTERNATIONAL LTD. REV. TO	