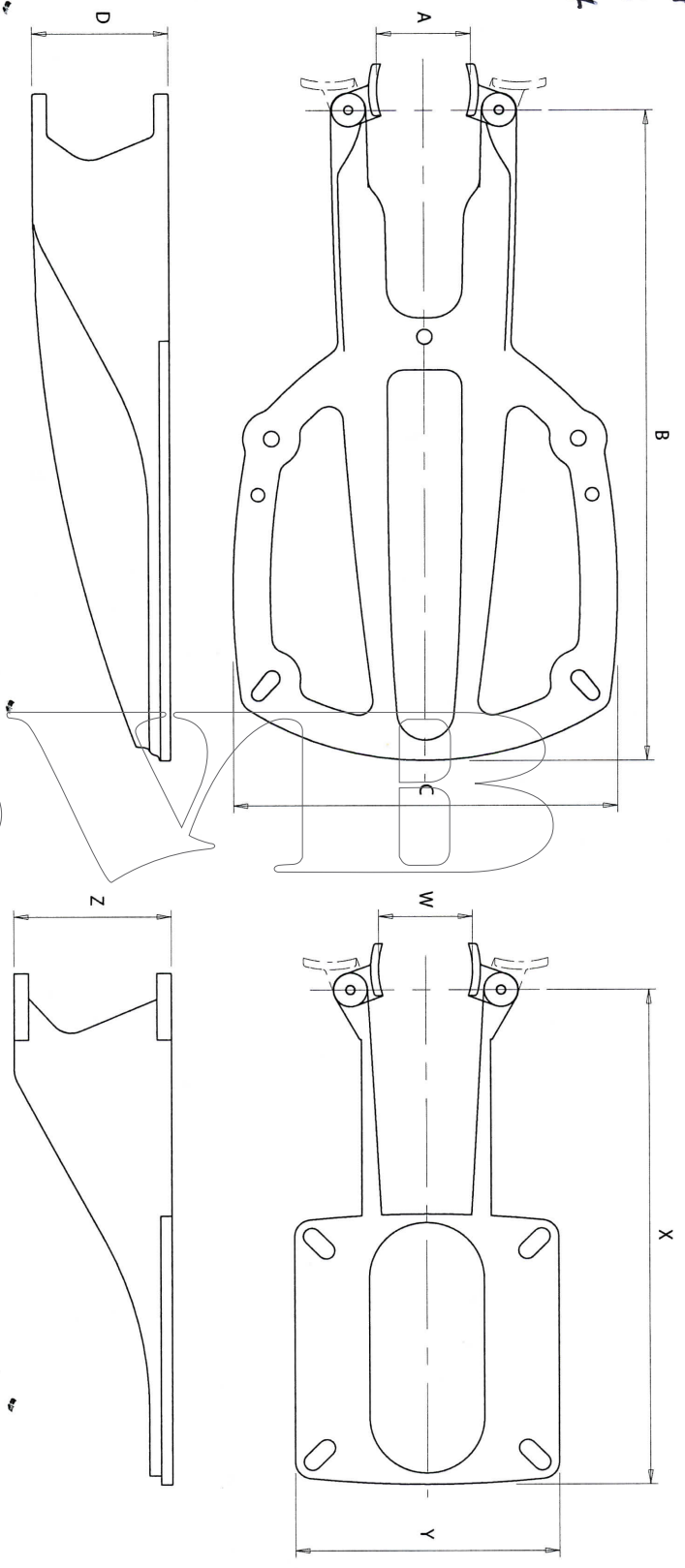


Mast Mount

For help & information
 email: technical@scansstrut.com
 tel: +44 (0) 1803 863800

SVB. RRT
 93023
 93024



SVB-RRT.

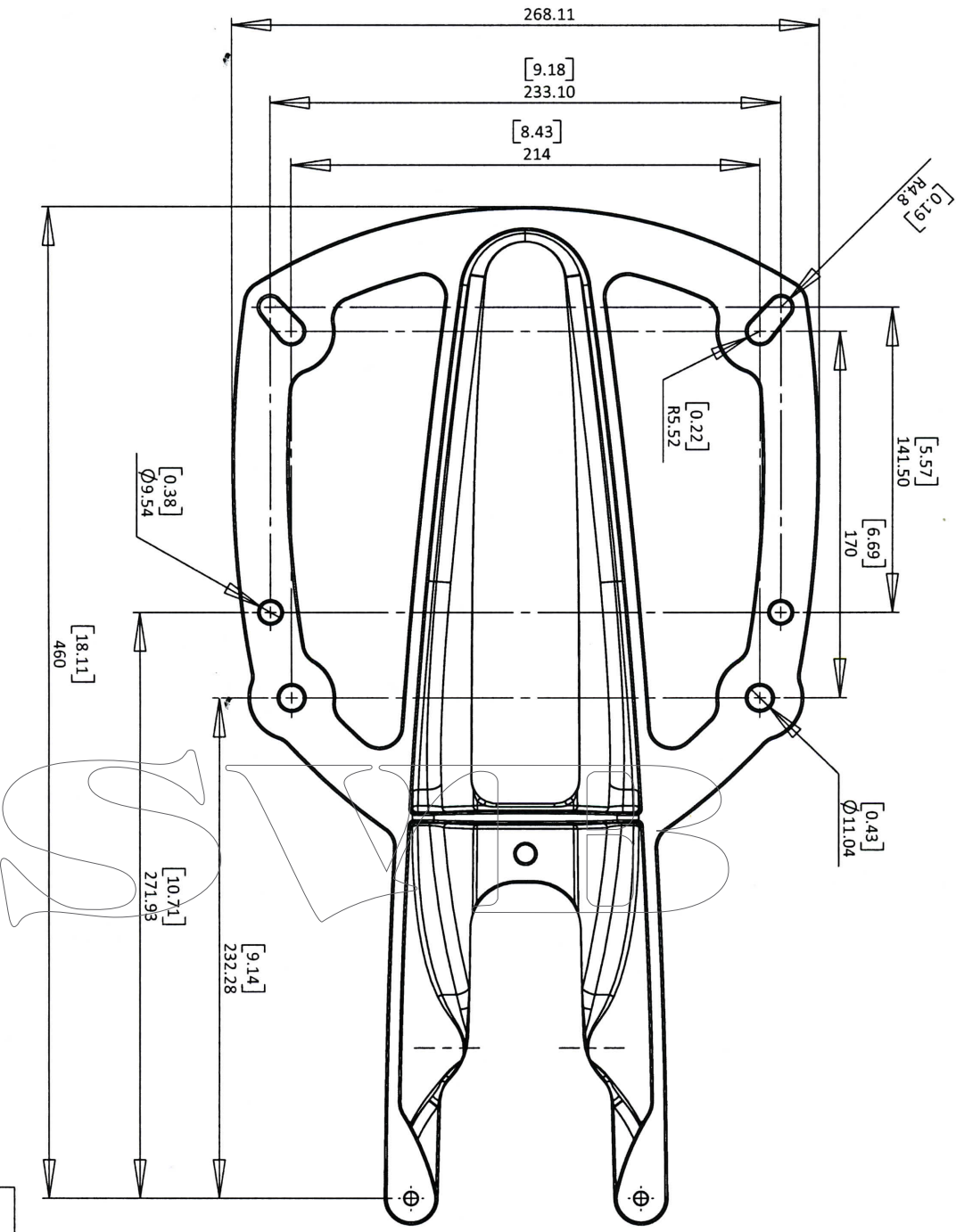
	A*	B	C	D
	mm / inches	mm / inches	mm / inches	mm / inches
SC16	65/2.6	400/15.8	198/7.9	95/3.7
SC20	65/2.6	460/18.1	268/10.6	95/3.7
SC21	65/2.6	520/20.5	278/10.9	125/4.9
93023	65/2.6	467/18.4	278/10.9	95/3.7
93024	76/3	530/20.8	300/11.8	180.8/7.1

	W*	X	Y	Z	SVB-RRT
	mm / inches	mm / inches	mm / inches	mm / inches	
SC12	77/3	351/13.8	185/7.5	110/4.3	93024
SC18	72/2.8	311/12.2	85/7.3	92/3.6	

* indicates minimum mast width, no maximum mast width exists.
 ** 50100 Adapter kit will be required for Z-Spars, Eurospars and Isomat masts

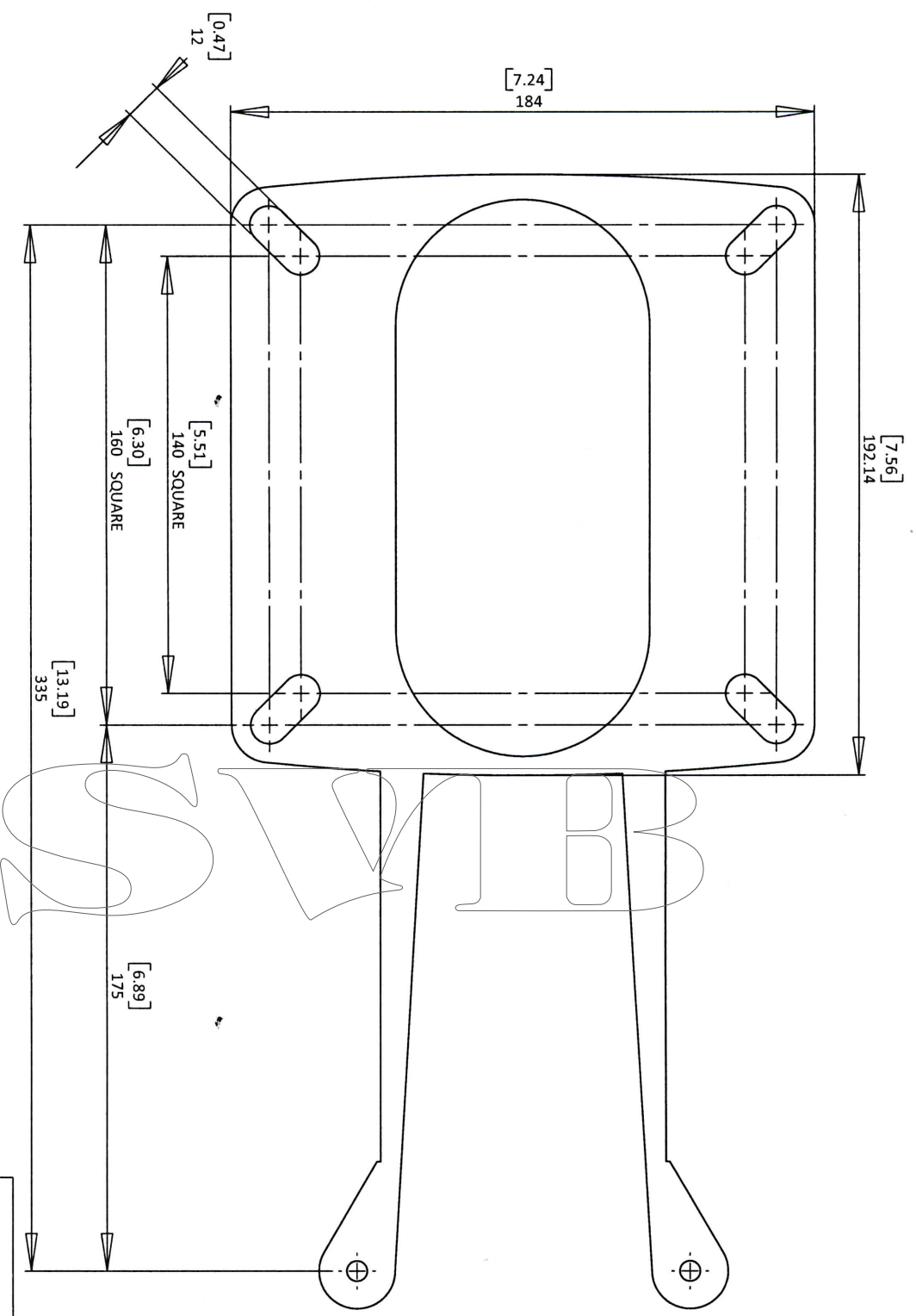


SCANSTRUT
 INSTALLATION SOLUTIONS FOR MARINE ELECTRONICS



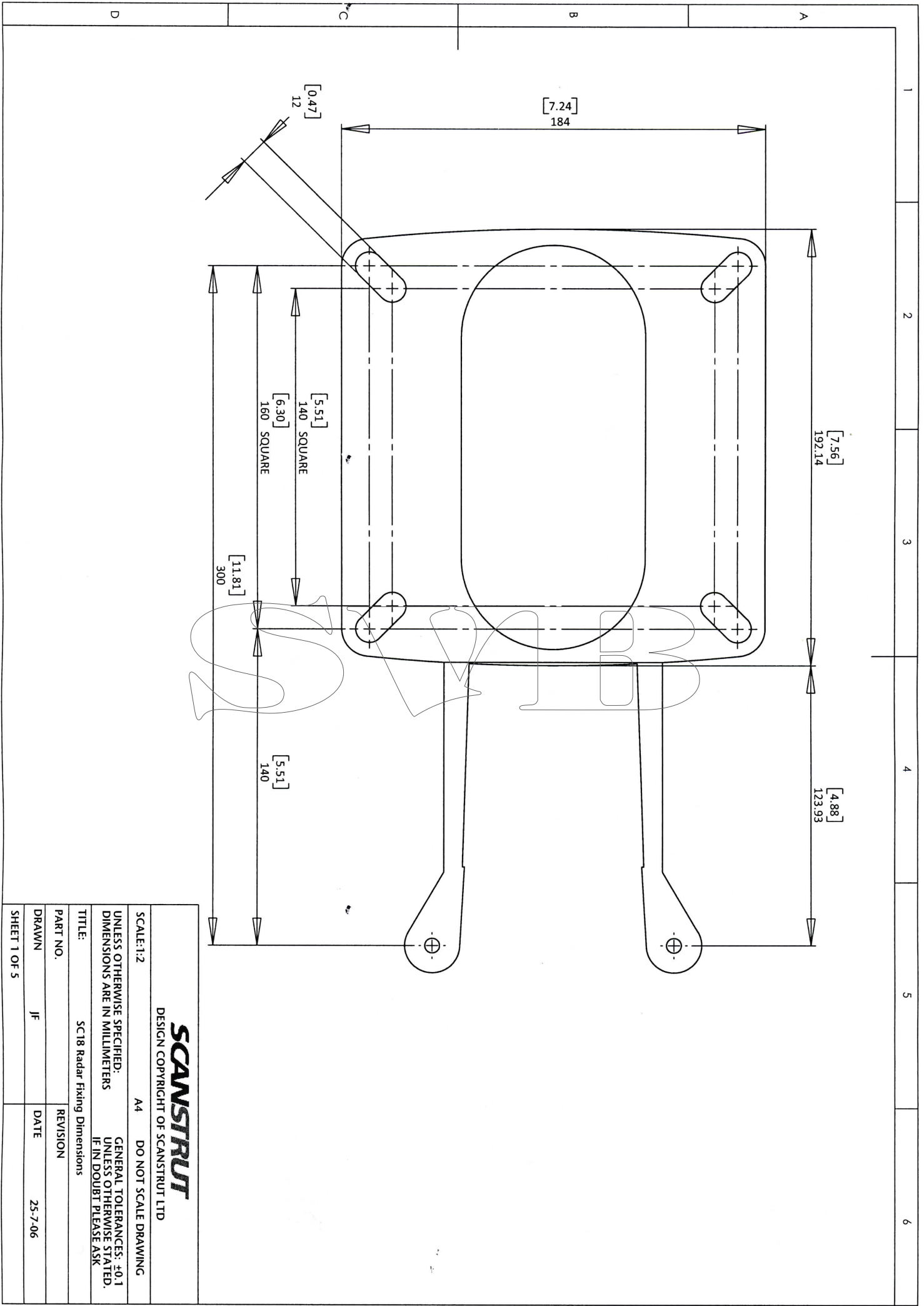
SVB-ART 93035

SCANSTRUT	
DESIGN COPYRIGHT OF SCANSTRUT LTD	
SCALE: 1:3	A4 DO NOT SCALE DRAWING
UNLESS OTHERWISE SPECIFIED: GENERAL TOLERANCES: +0.1	
DIMENSIONS ARE IN MILLIMETERS UNLESS OTHERWISE STATED,	
IF IN DOUBT PLEASE ASK	
TITLE:	SC20 Radar Fixing Dimensions
PART NO.	REVISION
DRAWN	DATE
SHEET 4 OF 5	



SVB-ART. 93024

SCANSTRUT	
DESIGN COPYRIGHT OF SCANSTRUT LTD	
SCALE: 1:2	A4 DO NOT SCALE DRAWING
UNLESS OTHERWISE SPECIFIED: DIMENSIONS ARE IN MILLIMETERS IF IN DOUBT PLEASE ASK	
TITLE:	SC12 Radar Fixing Dimensions
PART NO.	REVISION
DRAWN	DATE
SHEET 2 OF 5	



SCANSTRUT
 DESIGN COPYRIGHT OF SCANSTRUT LTD

SCALE: 1:2 A4 DO NOT SCALE DRAWING

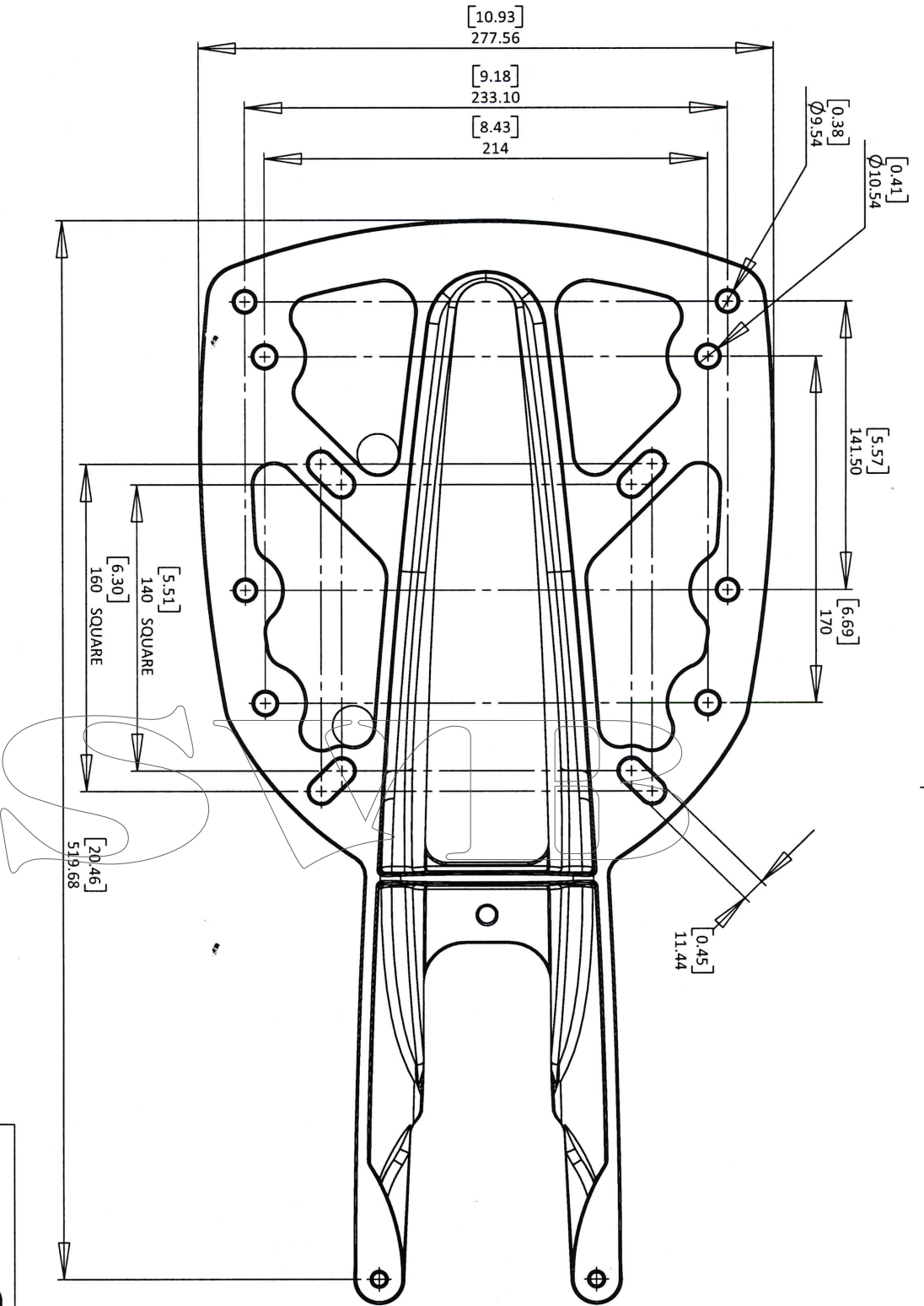
UNLESS OTHERWISE SPECIFIED: GENERAL TOLERANCES: ±0.1
 DIMENSIONS ARE IN MILLIMETERS UNLESS OTHERWISE STATED.
 IF IN DOUBT PLEASE ASK

TITLE: SC18 Radar Fixing Dimensions

PART NO. REVISION

DRAWN JF DATE 25-7-06

SHEET 1 OF 5



SCANSTRUT
 DESIGN COPYRIGHT OF SCANSTRUT LTD

SCALE:1:3

A4 DO NOT SCALE DRAWING

UNLESS OTHERWISE SPECIFIED:
 DIMENSIONS ARE IN MILLIMETERS

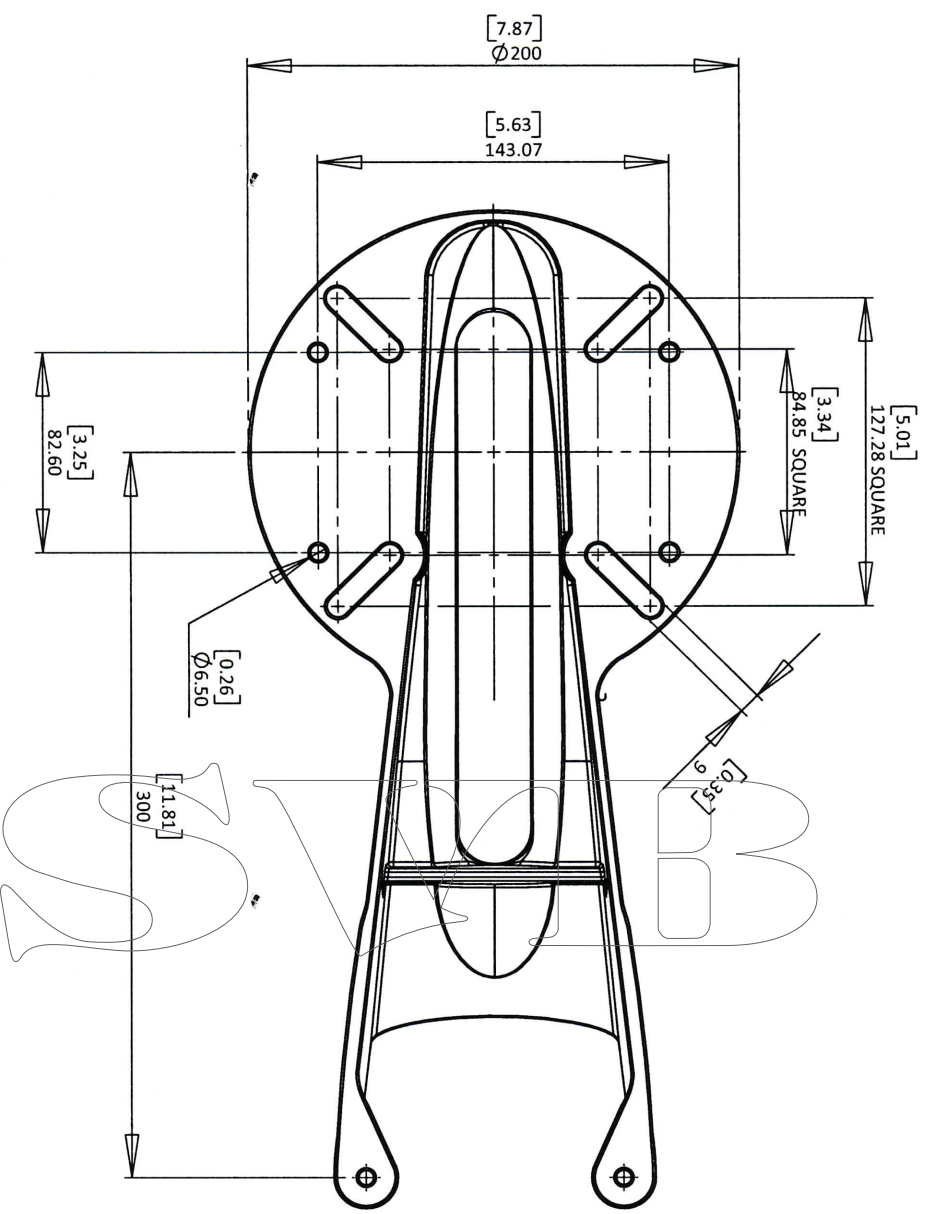
GENERAL TOLERANCES: ±0.1
 UNLESS OTHERWISE STATED.
 IF IN DOUBT PLEASE ASK

TITLE: SC21 Radar Fixing Dimensions

PART NO. REVISION

DRAWN DATE

SHEET 5 OF 5



SCANSTRUT	
DESIGN COPYRIGHT OF SCANSTRUT LTD	
SCALE: 1:3	A4 DO NOT SCALE DRAWING
UNLESS OTHERWISE SPECIFIED: DIMENSIONS ARE IN MILLIMETERS	
GENERAL TOLERANCES: ±0.1 UNLESS OTHERWISE STATED. IF IN DOUBT PLEASE ASK	
TITLE:	SC16 Radar Fixing Dimensions
PART NO.	REVISION
DRAWN	DATE
SHEET 3 OF 5	