



Miniature solar charge controller FOX-062

Advanced miniature charge controller for 12V and 24V solar systems. Developed for mobile solar applications. Compact, ready to plug solution with SureSeal socket and automobile plug. Made in Germany.

Product characteristics

- Overcharge protection 6,6A, is equal to solar panels of approx 120 Watt 12V, or 240 Watt 24V
- Reverse current protection
- 98% charging efficiency
- 12V/24V system voltage, automatic recognition
- 3-color LED for battery status indication
- Battery type adjustable for AGM, GEL, Lead acid and LiFePO batteries
- Motor vehicle connector with integrated fuse 8A
- Ready to plug solution – usage without tools
- Incl. 1m cable 2 x 1,5qmm with SureSeal-plug

The FOX-062 is an advanced miniature charge controller for 12V and 24V solar systems. The overcharge protection is designed for a solar current of 6,6A. Reverse current protection is integrated.

The charging characteristic for Lead acid, GEL, AGM or LiFePO batteries can be adjusted by the red DIP switch at the side of the controller housing.

The LED (3 colors & flashing frequency) shows variety information about status of battery and charging.

The regulator has a car plug with integrated fuse, which can also be used in the cigarette lighter socket.

Delivery includes 1 meter cable (2 x 1,5qmm) with SureSeal-plug at the end.

At the SureSeal-plug every solar panel can be connected to the charge controller directly.

TECHNICAL FEATURES

FOX-062

	FOX-062
System voltage	12V / 24V automatic recognition
Overcharge protection	max 6,6A
Display	1 LED, 3-color
Power requirement	3,9mA
Umin.	8,6V
Umax. (Uoc)	50V
PWM frequency	244 Hz
Environmental conditions	-20°C... +45°C, non-thawing
Fuse	8A
Weight	
controller	75g
controller incl. packaging	200g
Protection class	IP50

Technical changes reserved. State 12/2021



RANGE OF APPLICATIONS

- For off-road and 4-wheel drive
- For camping and caravan
- For mobile current supply & outdoor



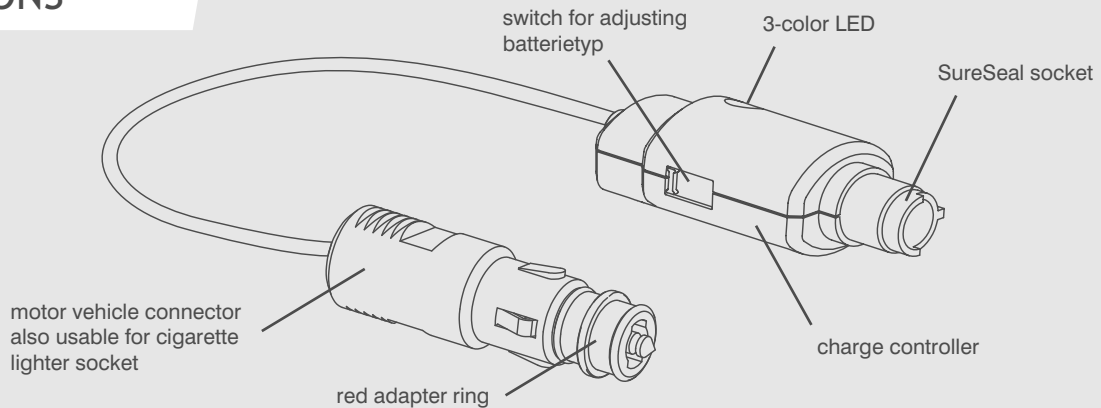
Usage notes

The regulator has to be plugged into the cigarette lighter or the car socket. To use a car socket, remove the red adapter with a rotary movement.

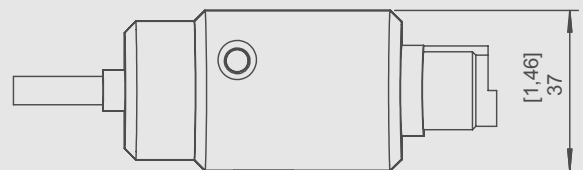
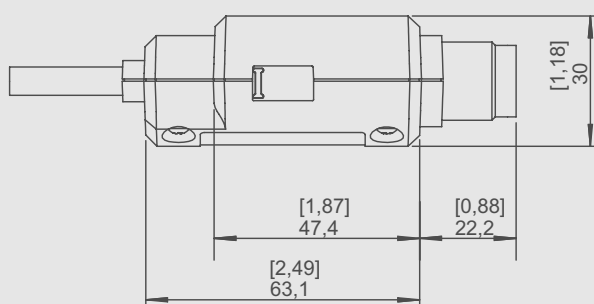
The solar panel has to be inserted on the side of the SureSeal-plug.

At the side of the controller housing is a slide lock, behind it there is the switch for the setting of the battery type. The switch settings for the battery types AGM, lead acid, GEL and LiFePO4 are indicated on the backside of the controller.

FUNCTIONS



DIMENSIONS



mm [inch]