

Technical specifications

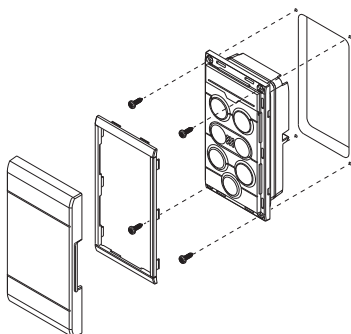
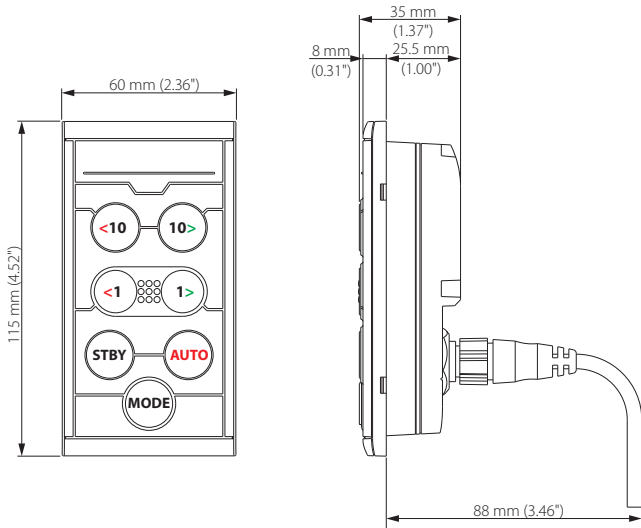
Weight	0.15 kg (0.33 lbs)
Power supply	9 - 16V
Power consumption	Key backlight off: 0.54W Key backlight max: 1.35W
Network load	3 LEN
Housing	PC/ABS
Waterproofing standard	IPx7
Operating temperature	-25°C to +65°C (-13°F to +149°F)
Storage temperature	-40°C to +85°C (-40°F to +185°F)
Maximum humidity	100% RH
Connectors	1x male Micro-C



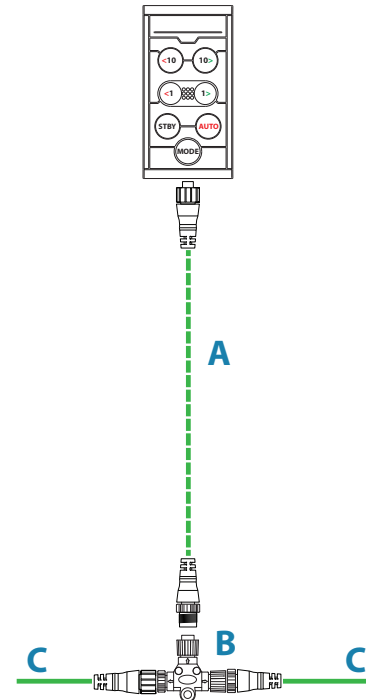
Other documentation
available on:
www.bandg.com



Dimensions and mounting



Wiring



- | | |
|----------|--|
| A | Micro-C Drop cable (female to male) max drop 6 m/20 ft |
| B | Micro-C T-connector |
| C | NMEA 2000 backbone |

B&G

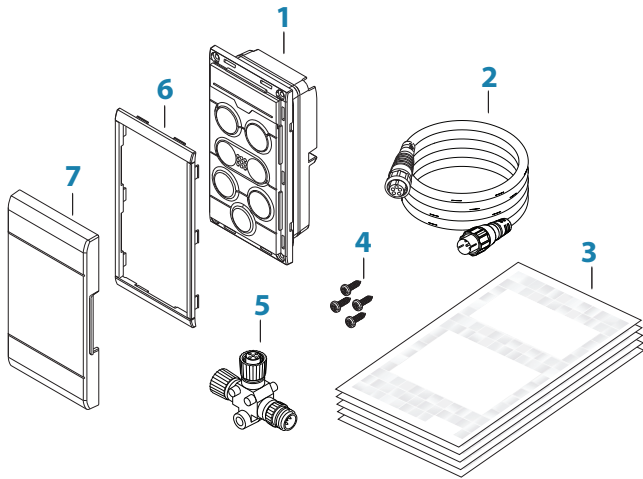
Triton²
Pilot controller
User Guide

English



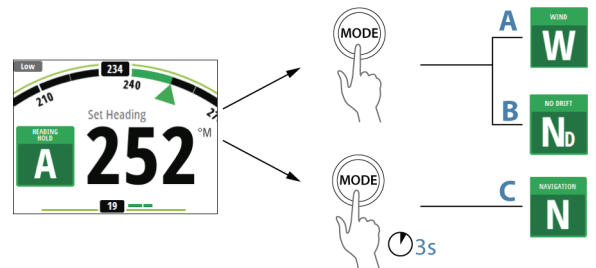
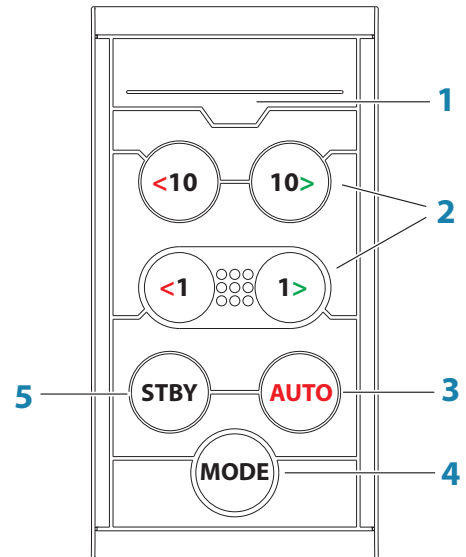
www.bandg.com

Box content



1	Triton ² Pilot controller
2	Micro-C Drop cable 0.6 m/2 ft
3	Documentation pack
4	Mounting screws (4 x #4 x 3/8" PN HD SS screws)
5	Micro-C T-connector
6	Bezel
7	Sun cover

Operation



Operation

1	<p>LED</p> <p>Mode and alarm indicator:</p> <ul style="list-style-type: none"> AUTO mode: solid light Wind mode: flashing (80% on, 20% off) NAV mode; flashing (40% on, 60% off) Alarm on the network: rapid flashing <p>Green in Day mode and red in Night mode.</p> <p>→ Note: No LED indication for NoDrift and Non-Follow modes.</p>
2	<p>Port and starboard keys</p> <p>In Standby mode: press to activate Non Follow Up mode (NFU)</p> <p>In AUTO mode:</p> <ul style="list-style-type: none"> Press a key to change set heading 1° or 10° to port or starboard For boat types set to SAIL: press and hold both port keys or both starboard keys to start a tack/gybe <p>In NoDrift mode:</p> <ul style="list-style-type: none"> Press a key to change set heading 1° or 10° to port or starboard <p>In Wind mode:</p> <ul style="list-style-type: none"> Press to change set wind angle 1° or 10° to port or starboard Press both 1° keys to start a tack/gybe
3	<p>AUTO key</p> <p>Press to activate AUTO mode.</p>

4	<p>MODE key</p> <p>→ Note: Only used when the autopilot is in AUTO or NoDrift mode.</p> <p>Press once to select mode:</p> <ul style="list-style-type: none"> For boat type set to SAIL: activates Wind mode (A) For other boat type settings: activates NoDrift mode (B) <p>Press and hold to activate NAV mode (C)</p>
5	<p>STBY key</p> <p>Press to activate Standby mode.</p>